



US00D631568S

(12) **United States Design Patent**
Bobel

(10) **Patent No.:** **US D631,568 S**

(45) **Date of Patent:** **** Jan. 25, 2011**

(54) **LED REFLECTOR LAMP**

(76) Inventor: **Andrzej Bobel**, 640 Leland Ct., Lake Forest, IL (US) 60045

(**) Term: **14 Years**

(21) Appl. No.: **29/349,190**

(22) Filed: **Mar. 16, 2010**

(51) **LOC (9) Cl.** **26-04**

(52) **U.S. Cl.** **D26/2**

(58) **Field of Classification Search** D26/1-4;
313/313, 315, 316, 317, 318, 493; 315/52,
315/53, 56, 57, 58

See application file for complete search history.

(56) **References Cited**

U.S. PATENT DOCUMENTS

D348,527 S *	7/1994	Gallant	D26/2
D395,092 S *	6/1998	Vakil	D26/2
D528,673 S *	9/2006	Maxik et al.	D26/2
D610,271 S *	2/2010	Bi	D26/2

D616,120 S *	5/2010	Wada et al.	D26/2
D617,918 S *	6/2010	Yamamoto et al.	D26/2

* cited by examiner

Primary Examiner—Marcus A Jackson

(57) **CLAIM**

The ornamental design for LED reflector lamp, as shown.

DESCRIPTION

FIG. 1 is a front view of the LED reflector lamp;

FIG. 2 is a back view of the LED reflector lamp;

FIG. 3 is a top view thereof;

FIG. 4 is a bottom view thereof;

FIG. 5 is a cross-sectional view thereof;

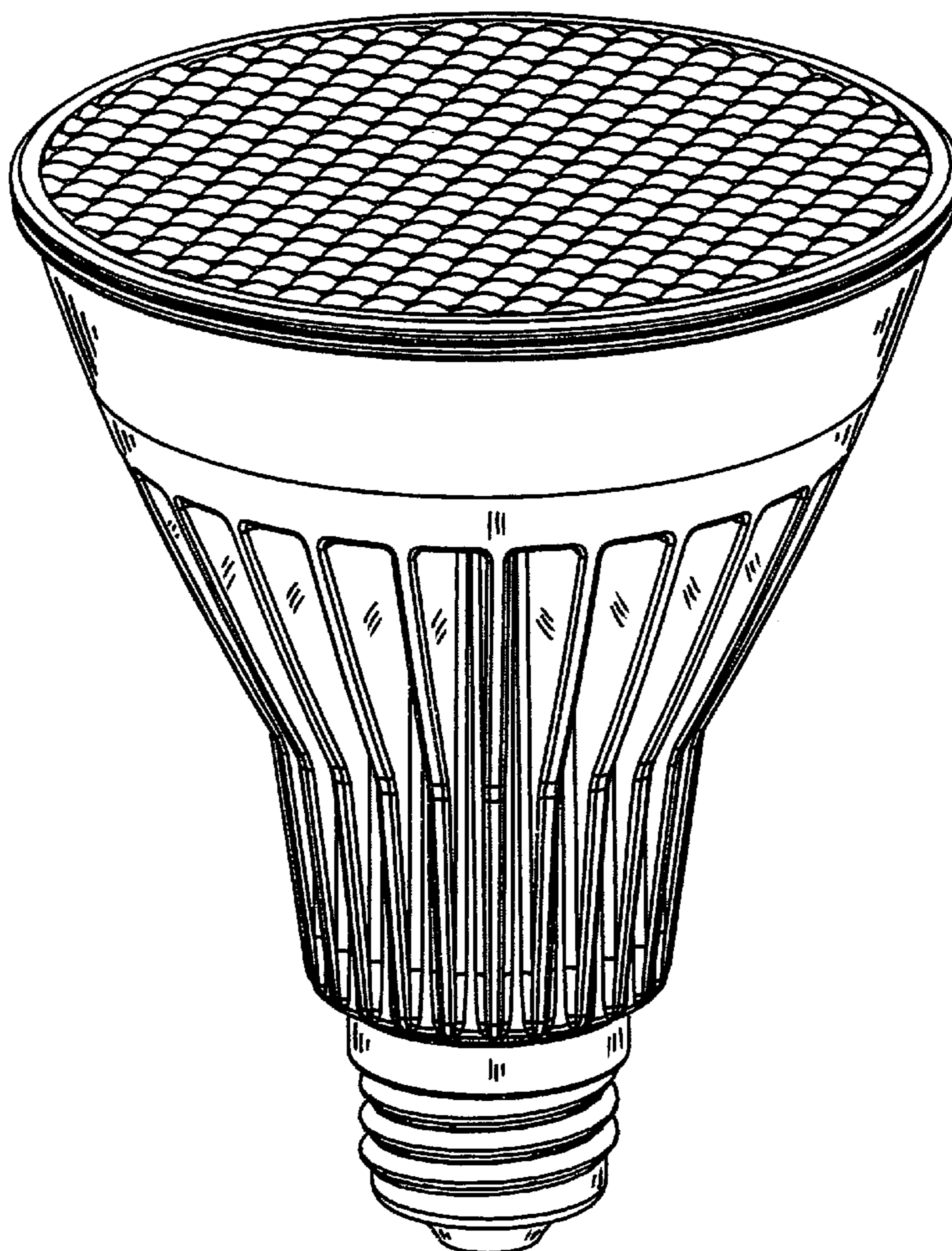
FIG. 6 is a bottom isometric view thereof;

FIG. 7 is a top isometric view thereof

FIG. 8 is a bottom exploded view thereof; and,

FIG. 9 is a top exploded view thereof.

1 Claim, 9 Drawing Sheets



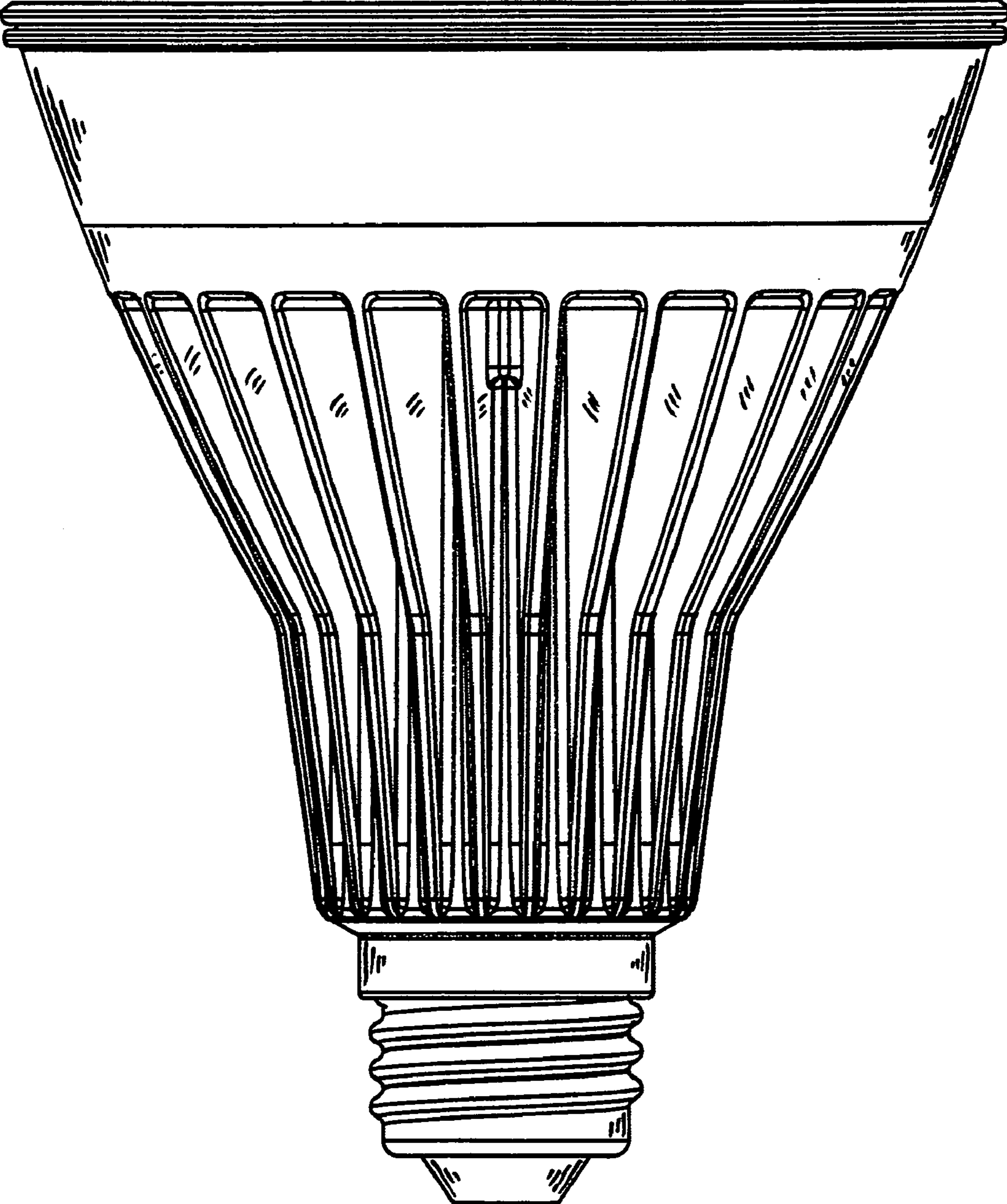


Fig. 1

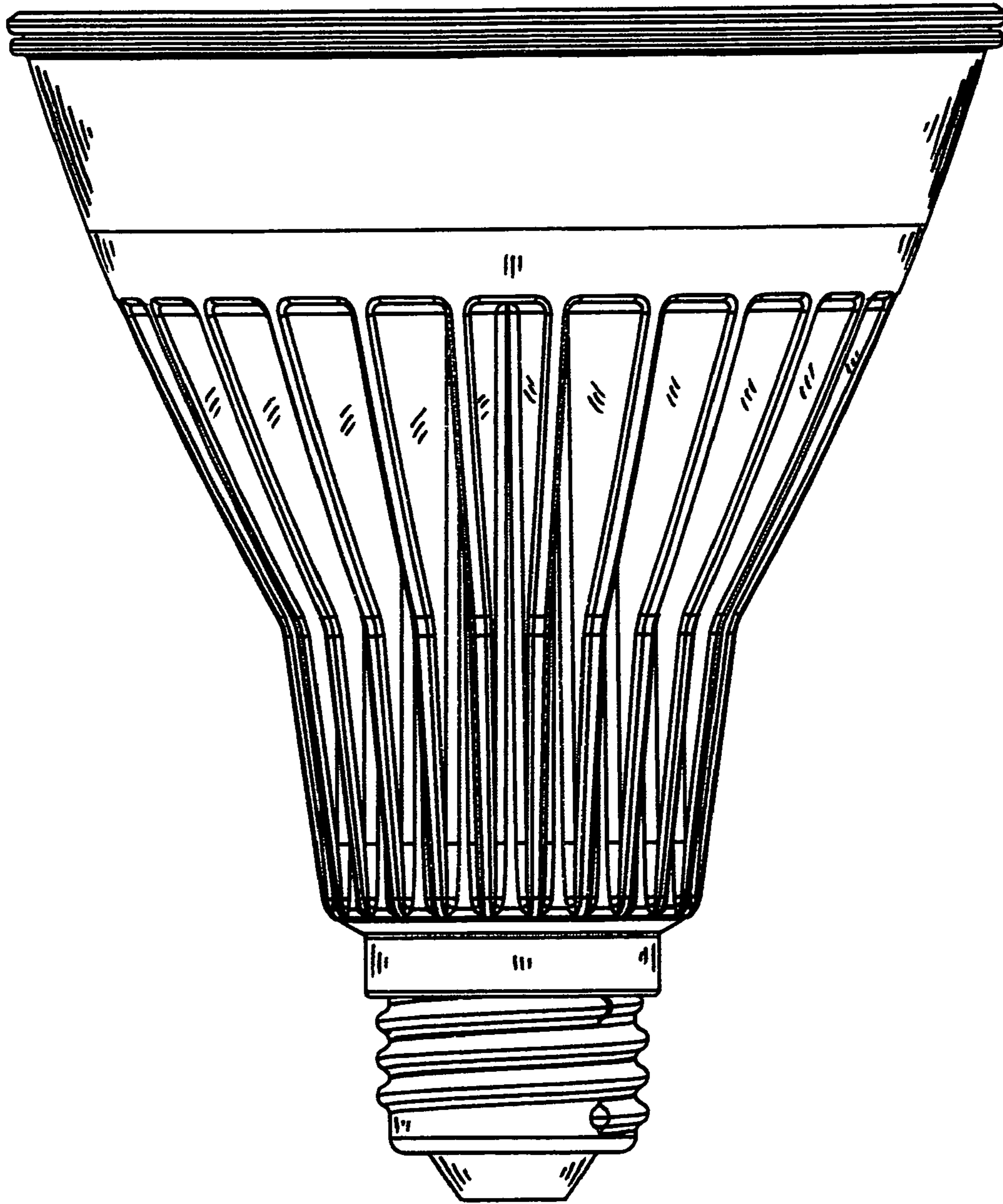


Fig. 2

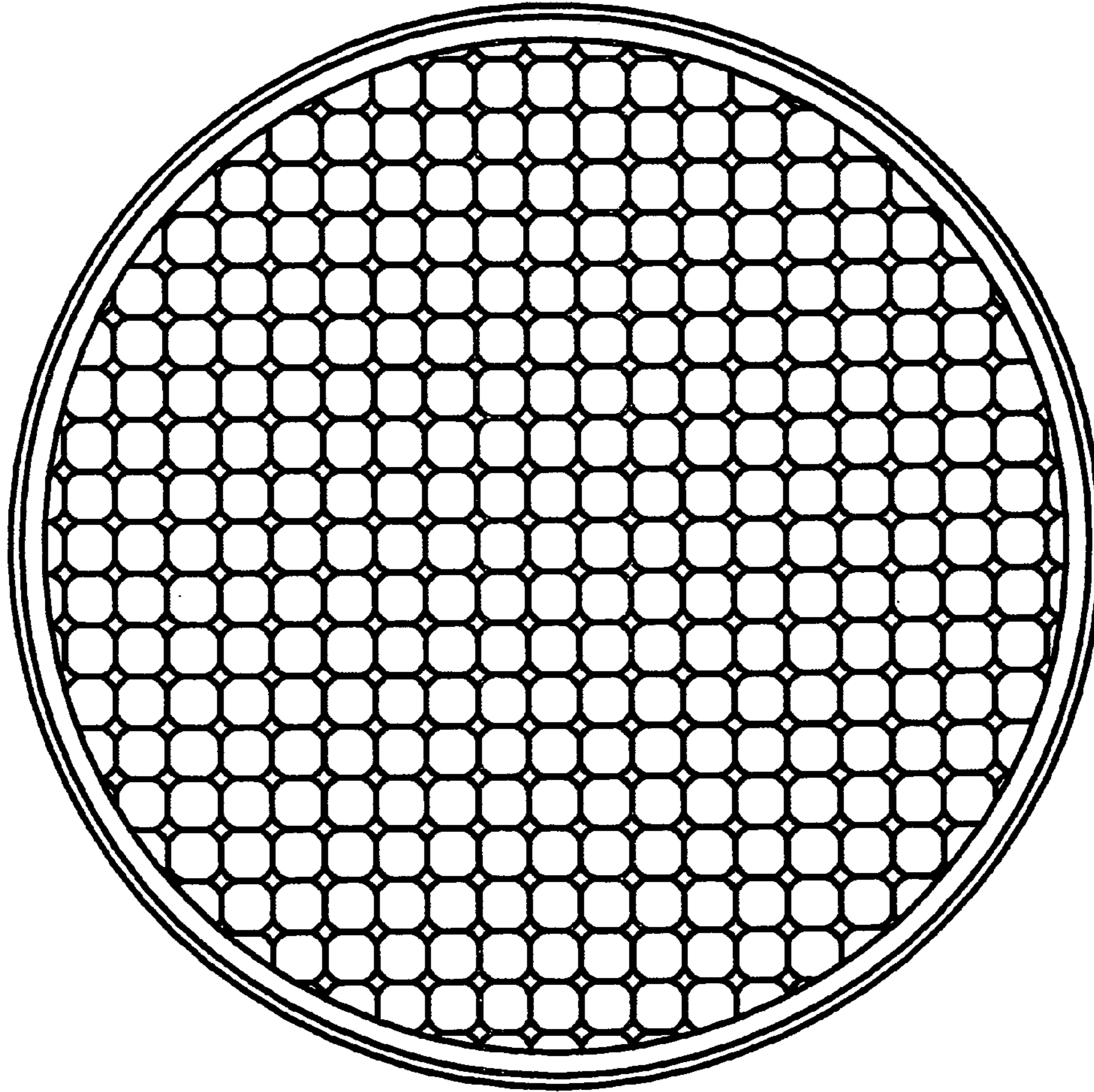


Fig. 3

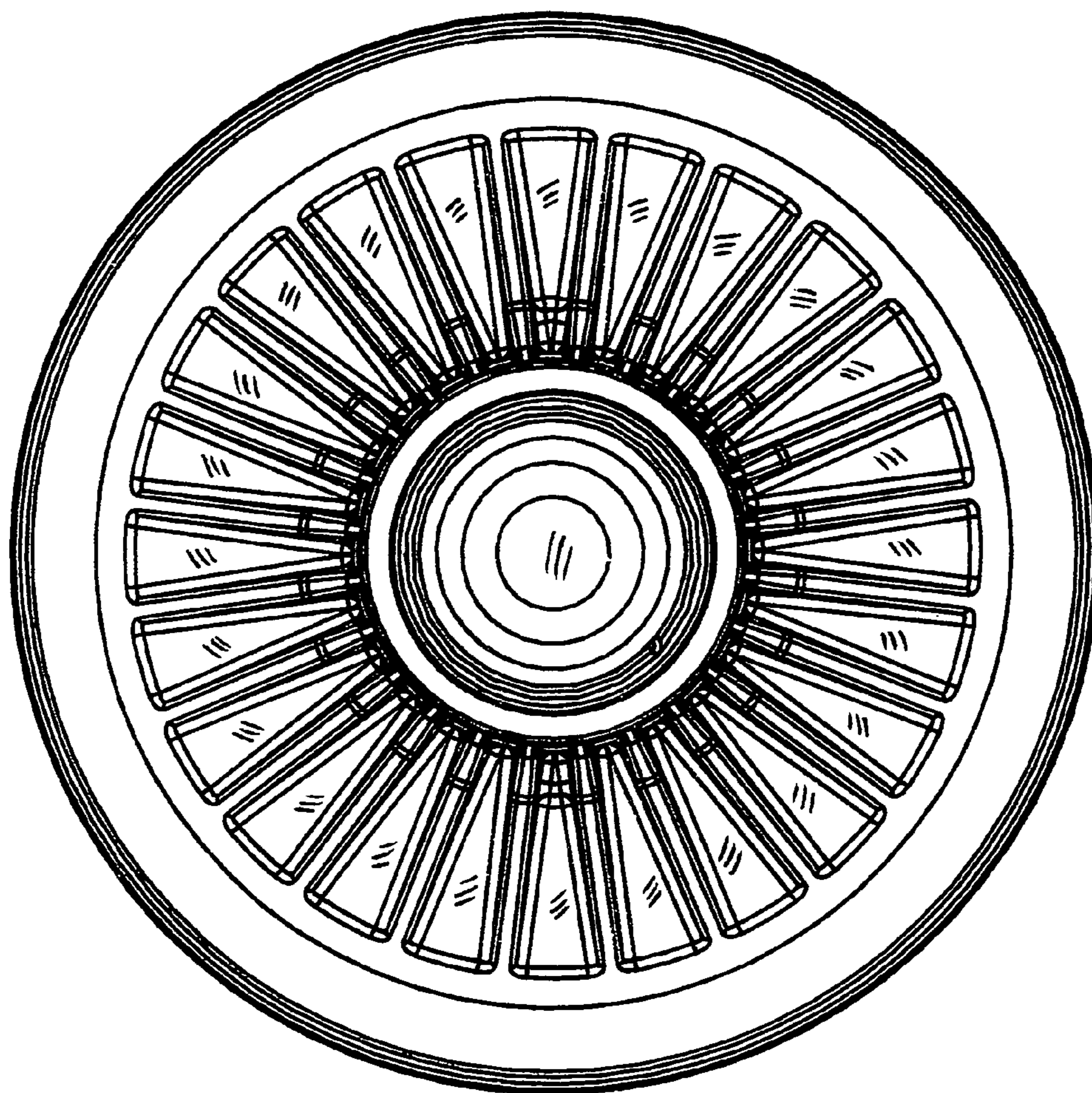


Fig. 4

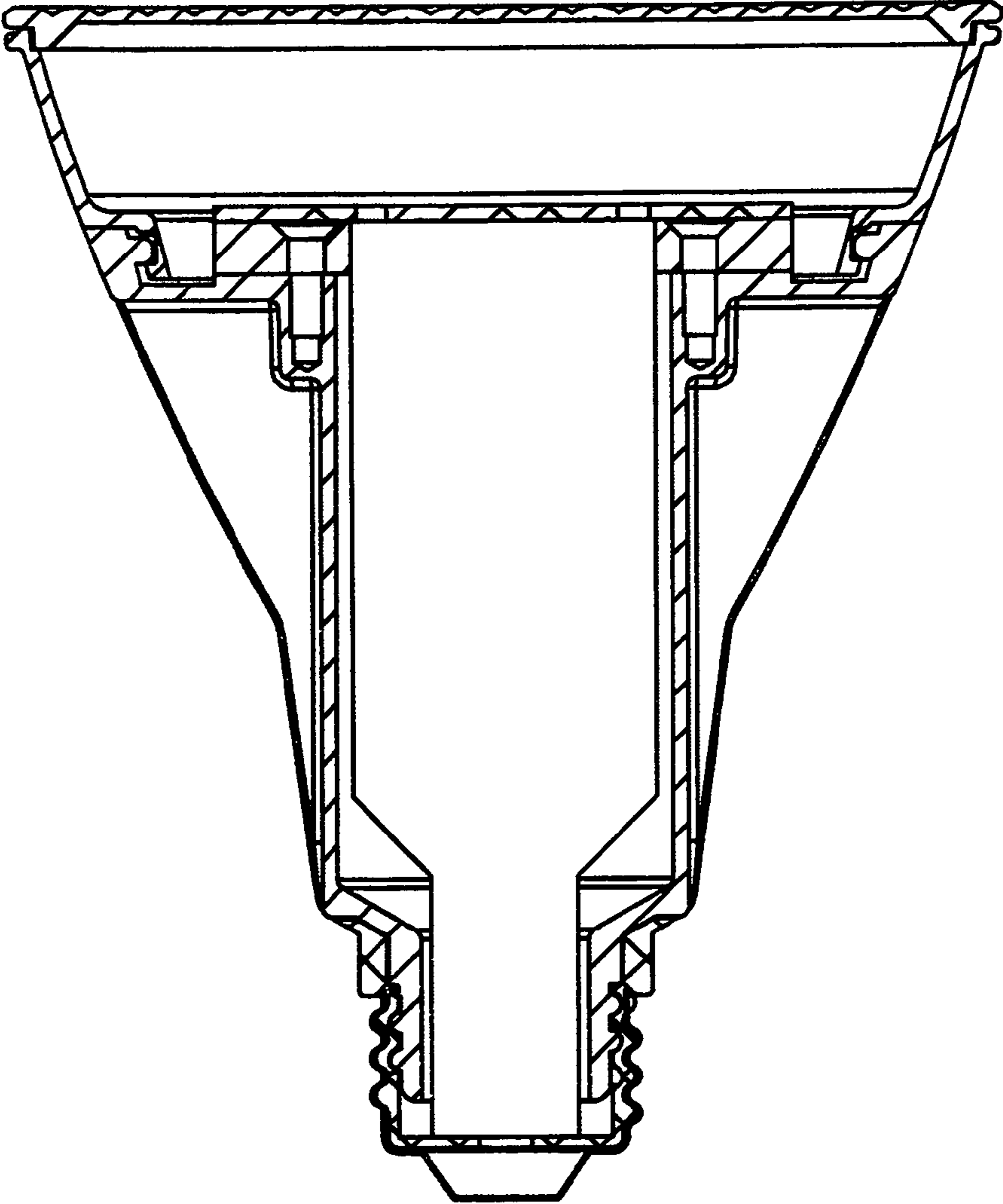


Fig. 5

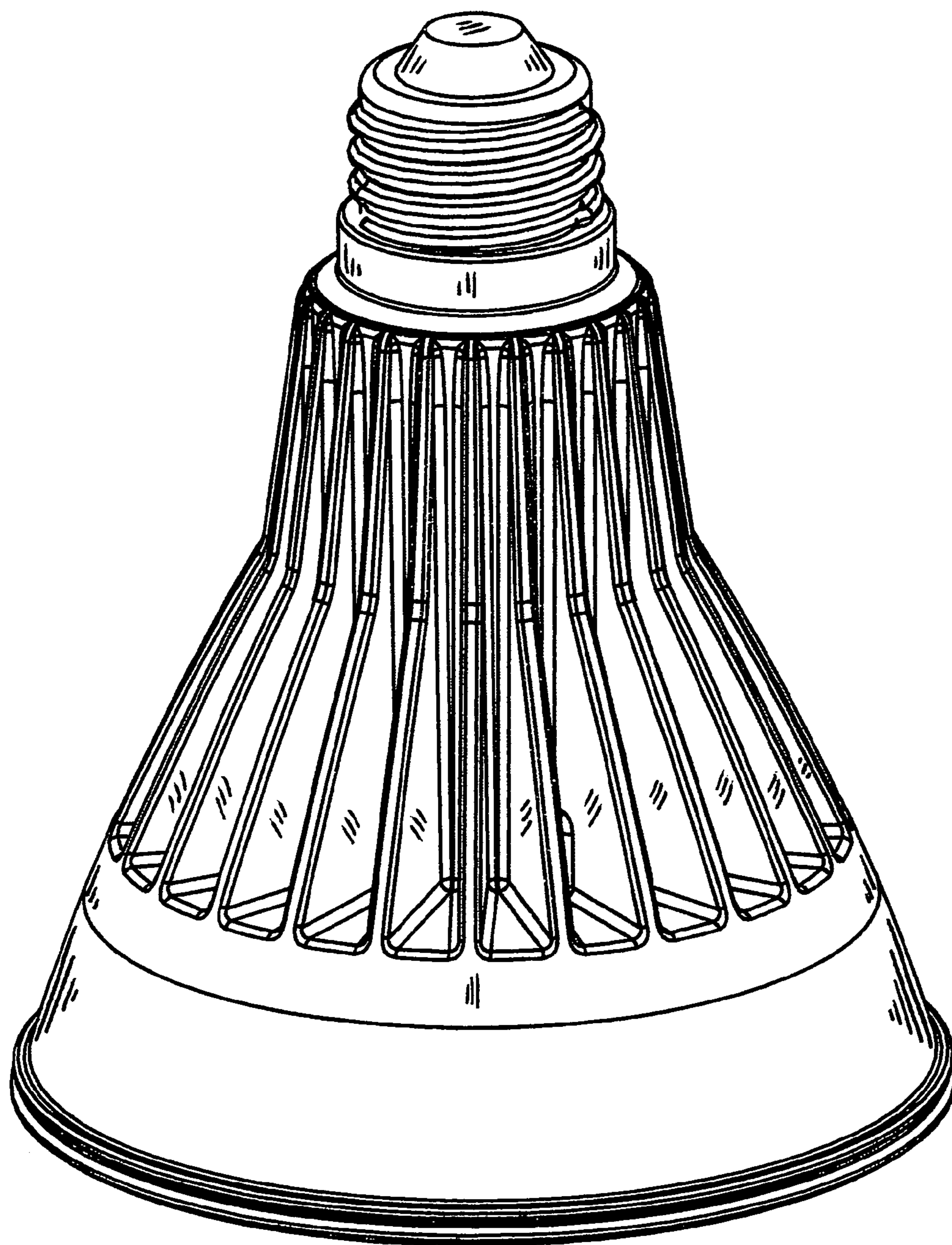


Fig. 6

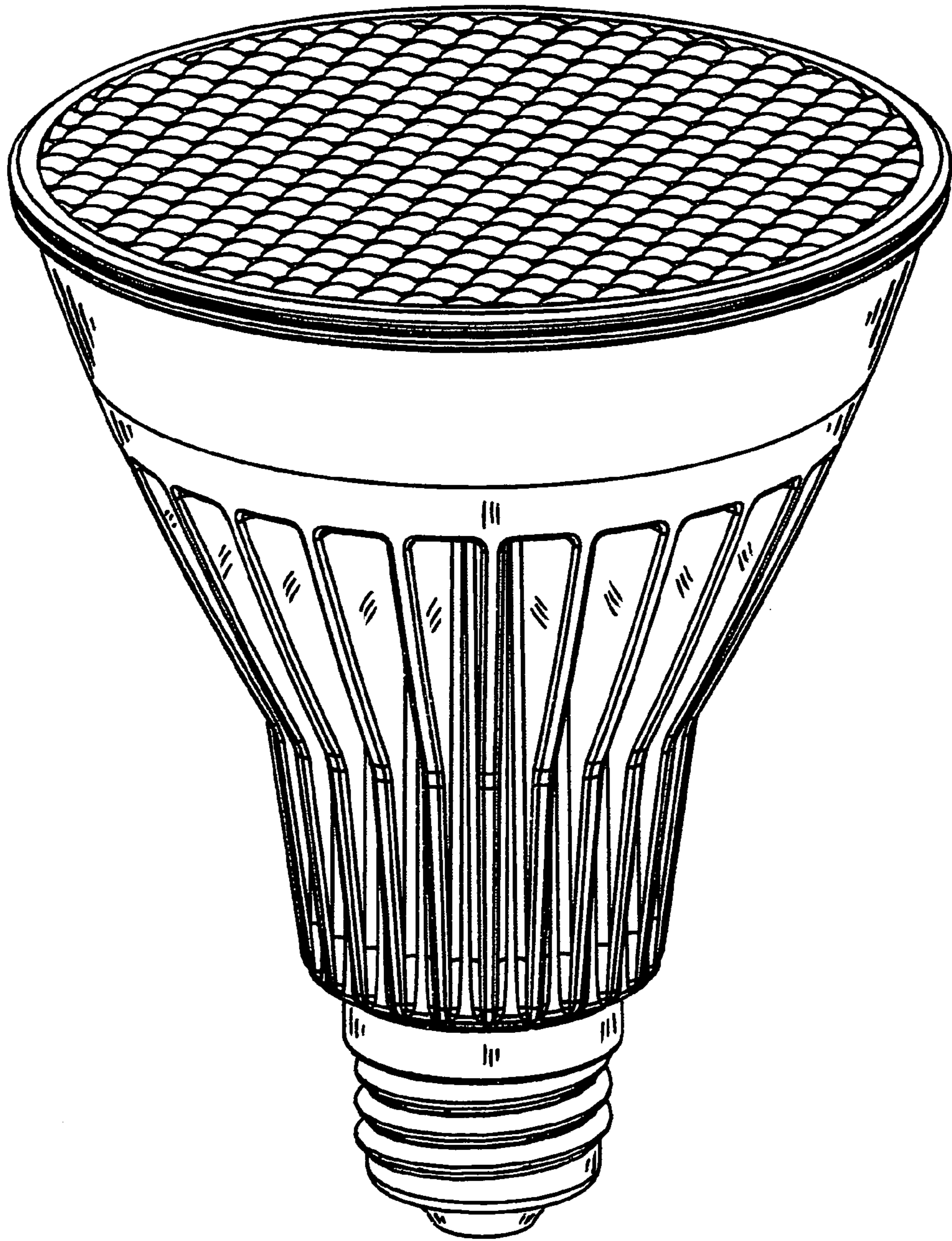


Fig. 7

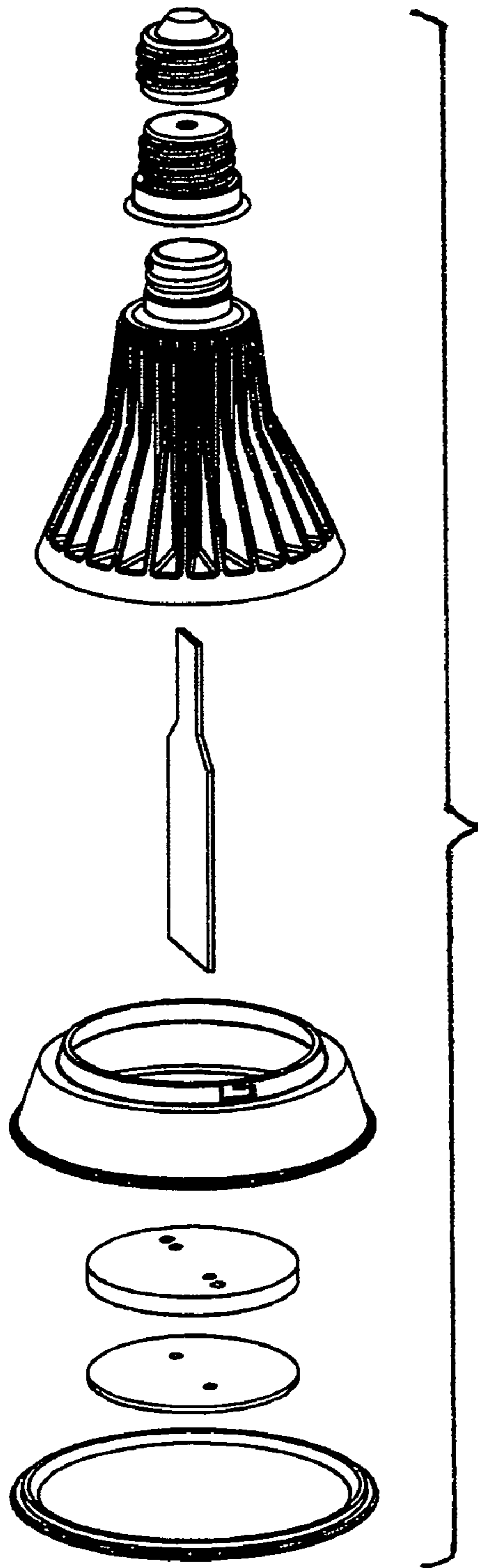


Fig. 8

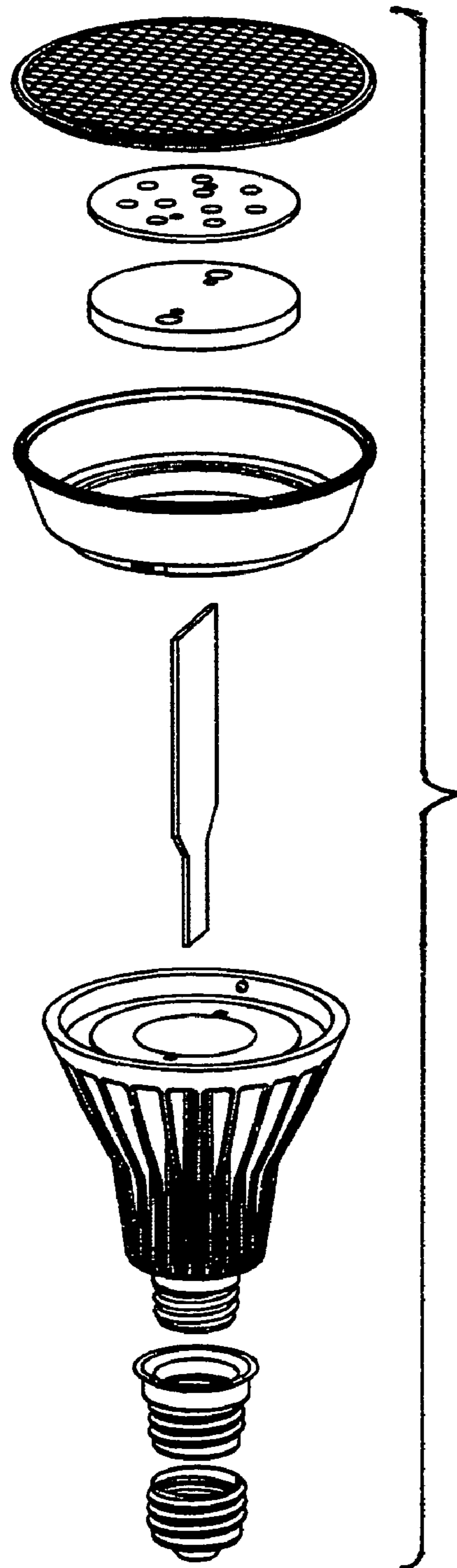


Fig. 9