



US00D631563S

(12) **United States Design Patent**
Simpson et al.

(10) **Patent No.:** **US D631,563 S**

(45) **Date of Patent:** **** Jan. 25, 2011**

(54) **LANDSCAPE EDGING**

(76) Inventors: **Jeffrey M. Simpson**, 381 Oak Ridge Dr., Auburn, AL (US) 36830; **Gary Wayne Wagoner**, 5 Beechbrook Dr., Auburn, AL (US) 36830

(**) Term: **14 Years**

(21) Appl. No.: **29/361,432**

(22) Filed: **May 11, 2010**

(51) **LOC (9) Cl.** **25-01**

(52) **U.S. Cl.** **D25/164**

(58) **Field of Classification Search** D25/164;
47/33; 52/102

See application file for complete search history.

(56) **References Cited**

U.S. PATENT DOCUMENTS

D12,960	S	*	6/1882	Mueller	D25/40
352,146	A	*	11/1886	Oungst	47/33
397,732	A	*	2/1889	Landis	47/33
652,050	A	*	6/1900	Stierlin	47/33
D251,070	S	*	2/1979	Blake	D25/164
D328,139	S	*	7/1992	Boer	D25/119
6,253,486	B1	*	7/2001	Prassas et al.	47/33
D457,256	S	*	5/2002	Conde	D25/164
D457,662	S	*	5/2002	Conde	D25/164
6,591,547	B1	*	7/2003	Staten et al.	47/33
6,604,319	B2	*	8/2003	Whitson	47/33
D553,754	S	*	10/2007	Paniccia	D25/38
D571,937	S	*	6/2008	Shaw	D25/164

* cited by examiner

Primary Examiner—Doris Clark

(74) *Attorney, Agent, or Firm*—Gardner Groff Greenwald & Villanueva, PC

(57) **CLAIM**

We claim the ornamental design for a landscape edging, as shown and described.

DESCRIPTION

FIG. 1 is a front view of the landscape edging.

FIG. 2 is a back view.

FIG. 3 is a top view.

FIG. 4 is a cross sectional view taken along line 4—4 of FIG. 1.

FIG. 5 is a cross sectional view taken along line 5—5 of FIG. 1.

FIG. 6 is a bottom view.

FIG. 7 is a front view of a second embodiment of the landscape edging.

FIG. 8 is a back view.

FIG. 9 is a top view.

FIG. 10 is a cross sectional view taken along line 10—10 of FIG. 7.

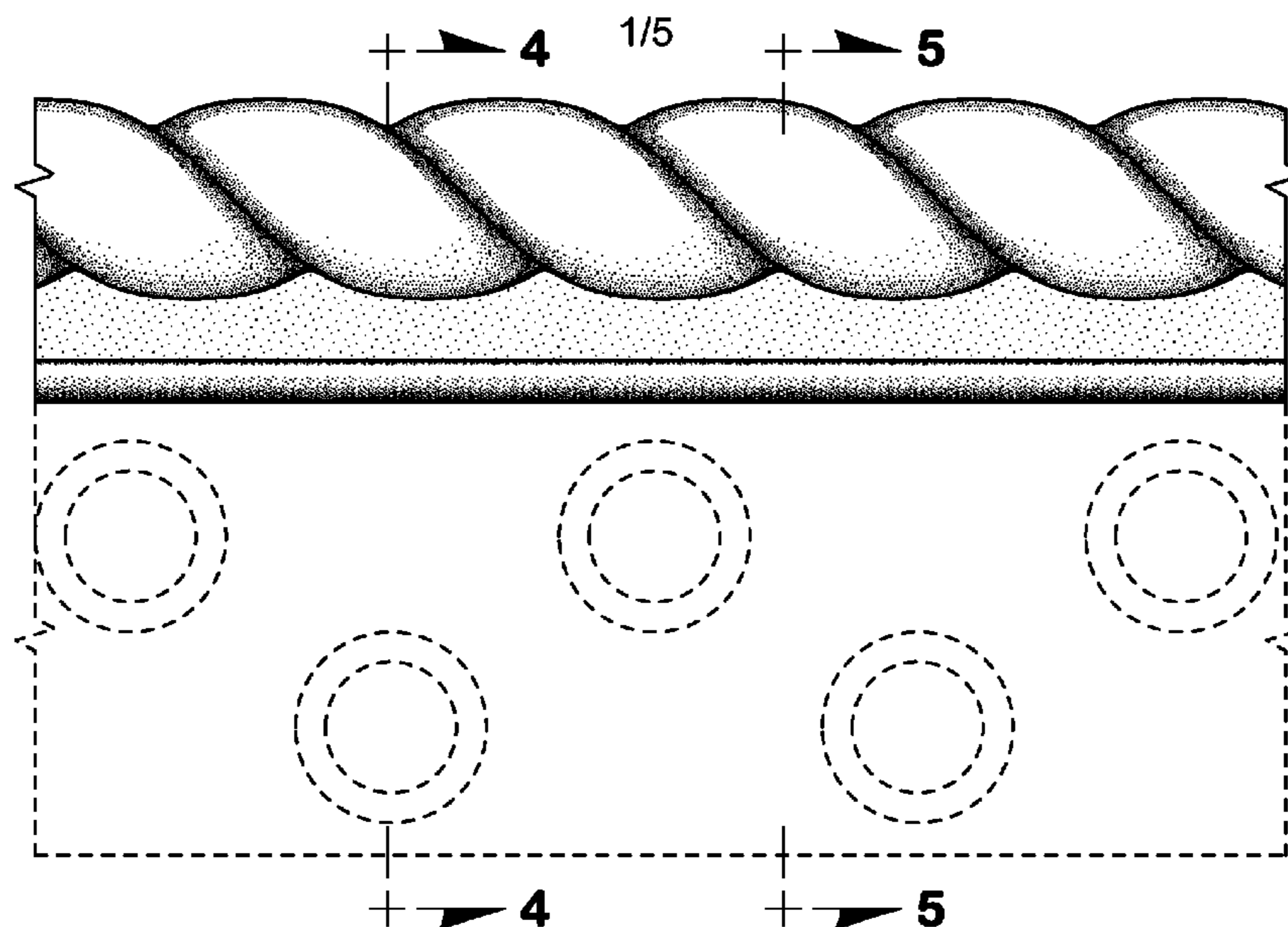
FIG. 11 is a cross sectional view taken along line 11—11 of FIG. 7; and,

FIG. 12 is a bottom view.

The claimed design is shown fragmented on the ends to indicate indeterminate length.

Portions shown in broken lines are for illustrative purposes only and form no part of the claimed design.

1 Claim, 5 Drawing Sheets



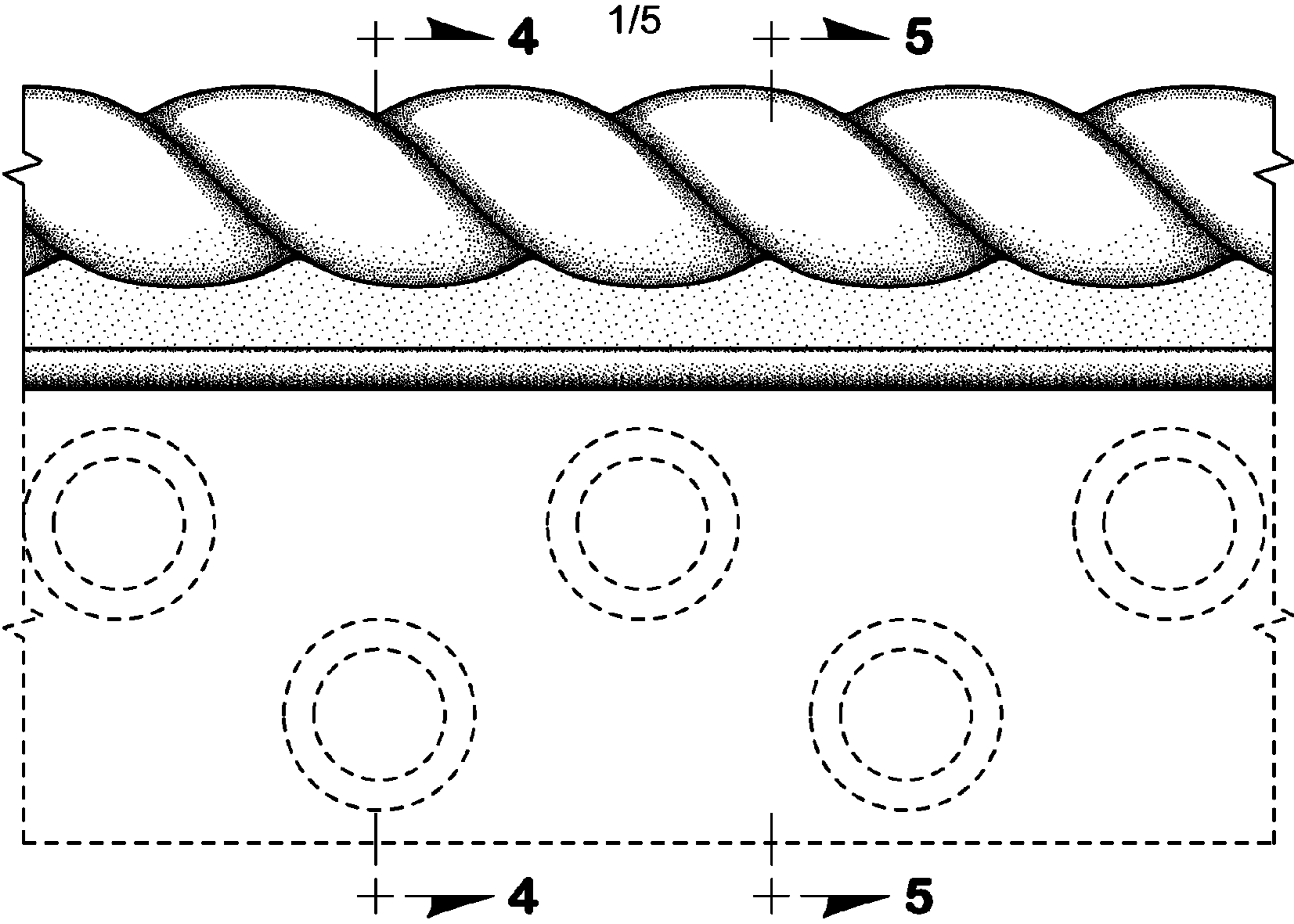


FIG. 1

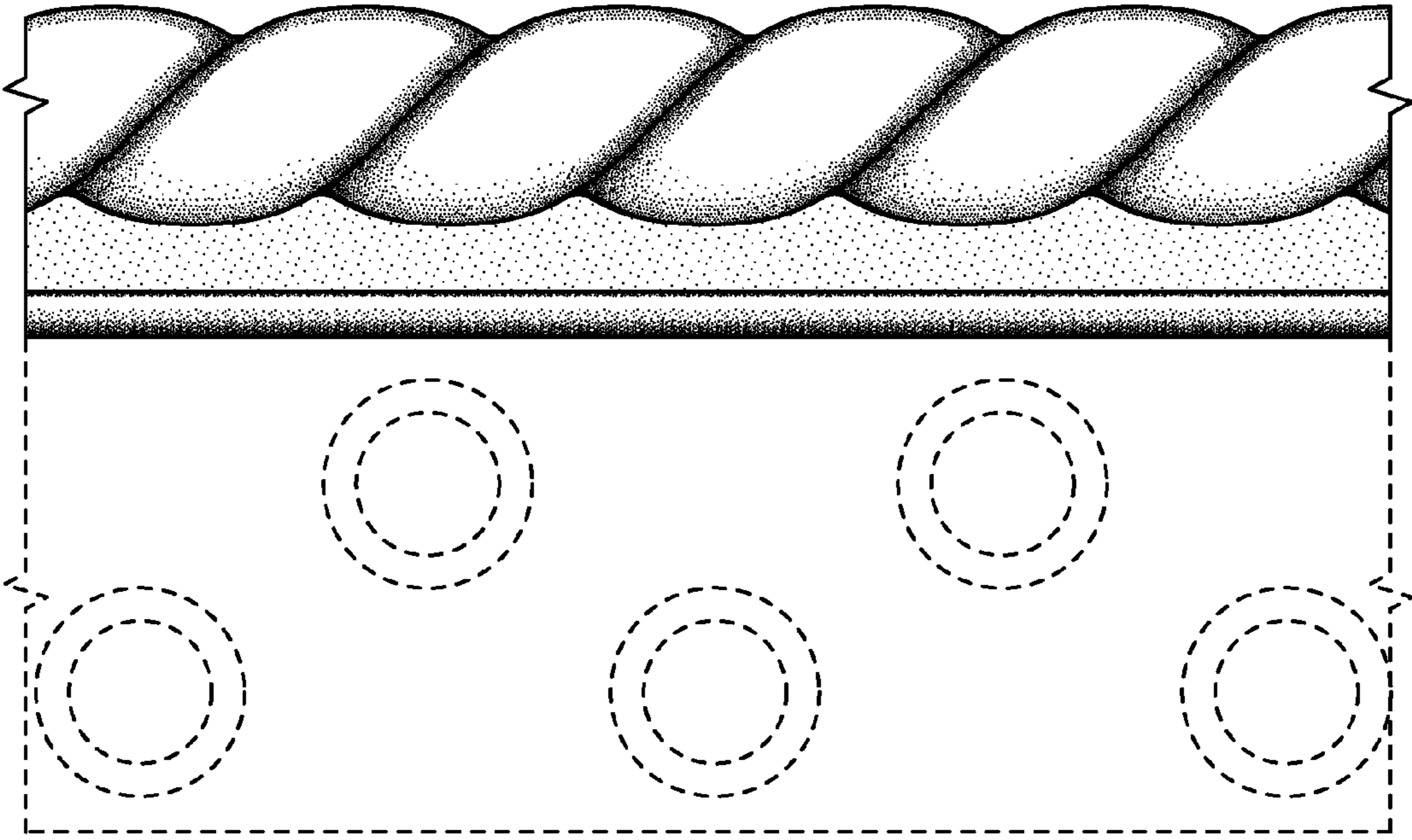


FIG. 2

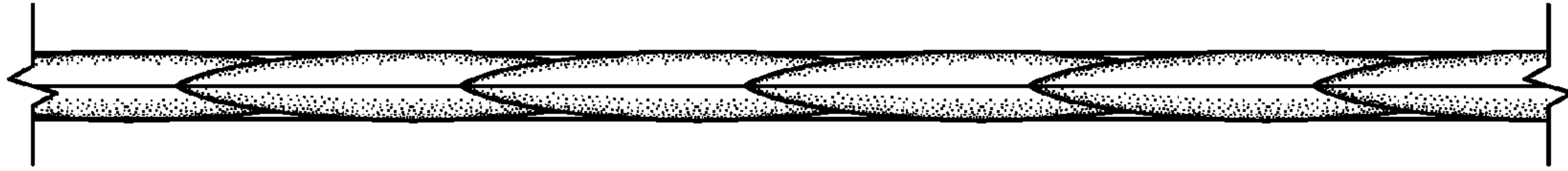


FIG. 3



FIG. 4



FIG. 5

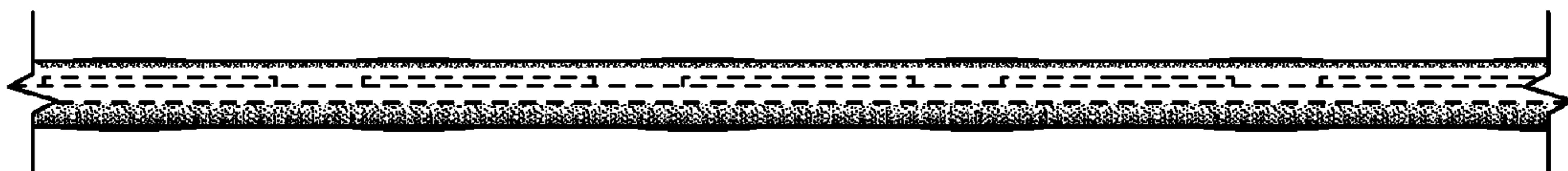


FIG. 6

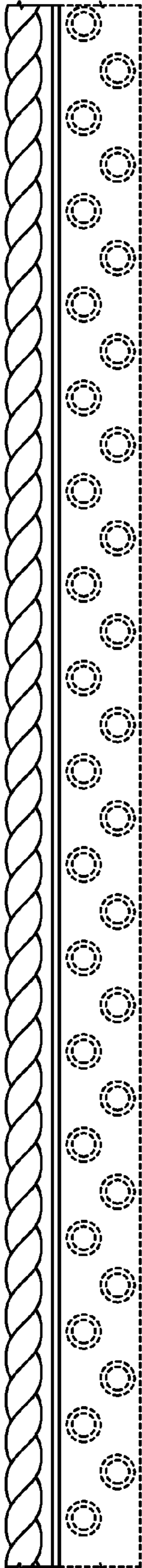


FIG. 7

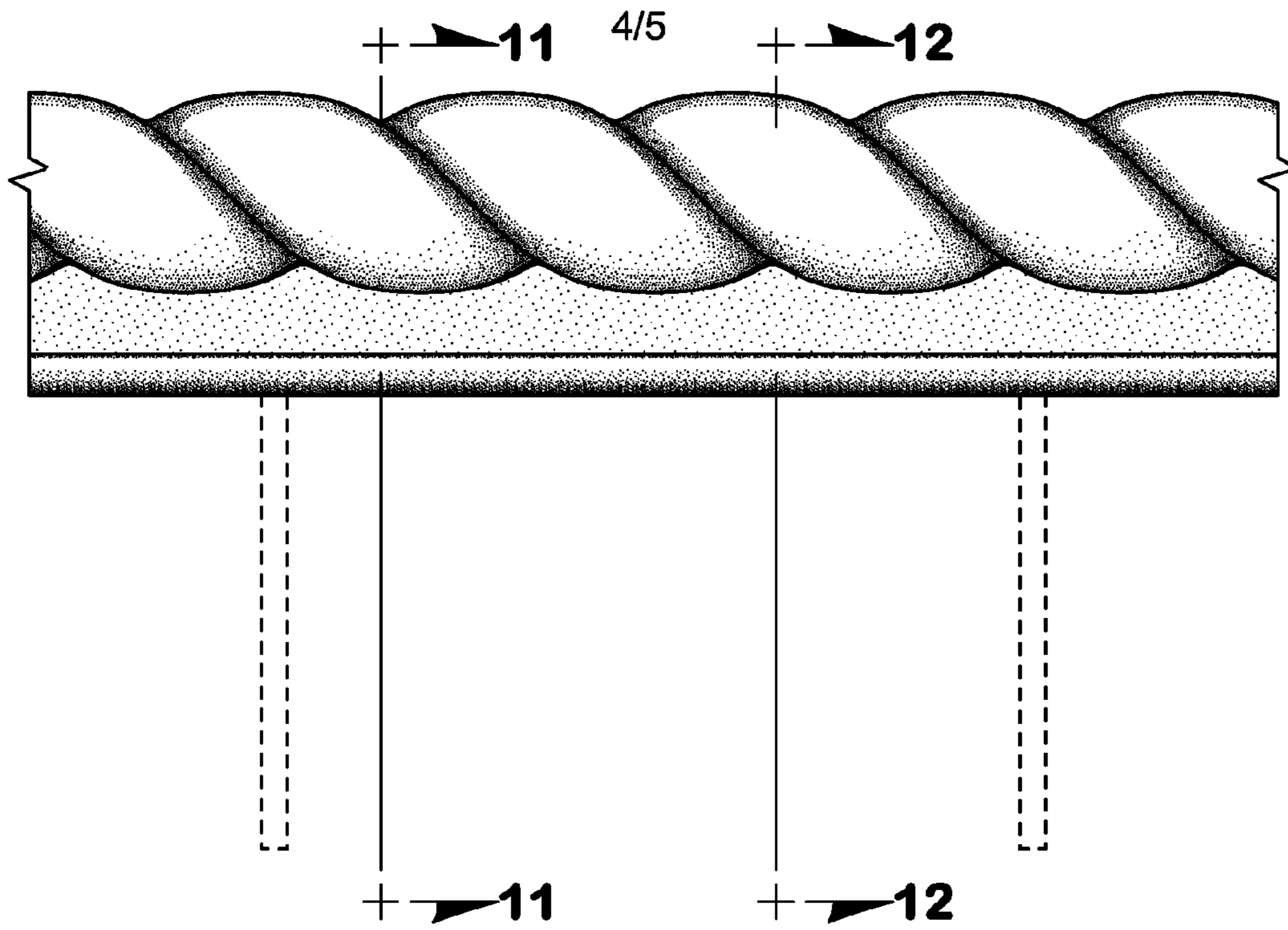


FIG. 8

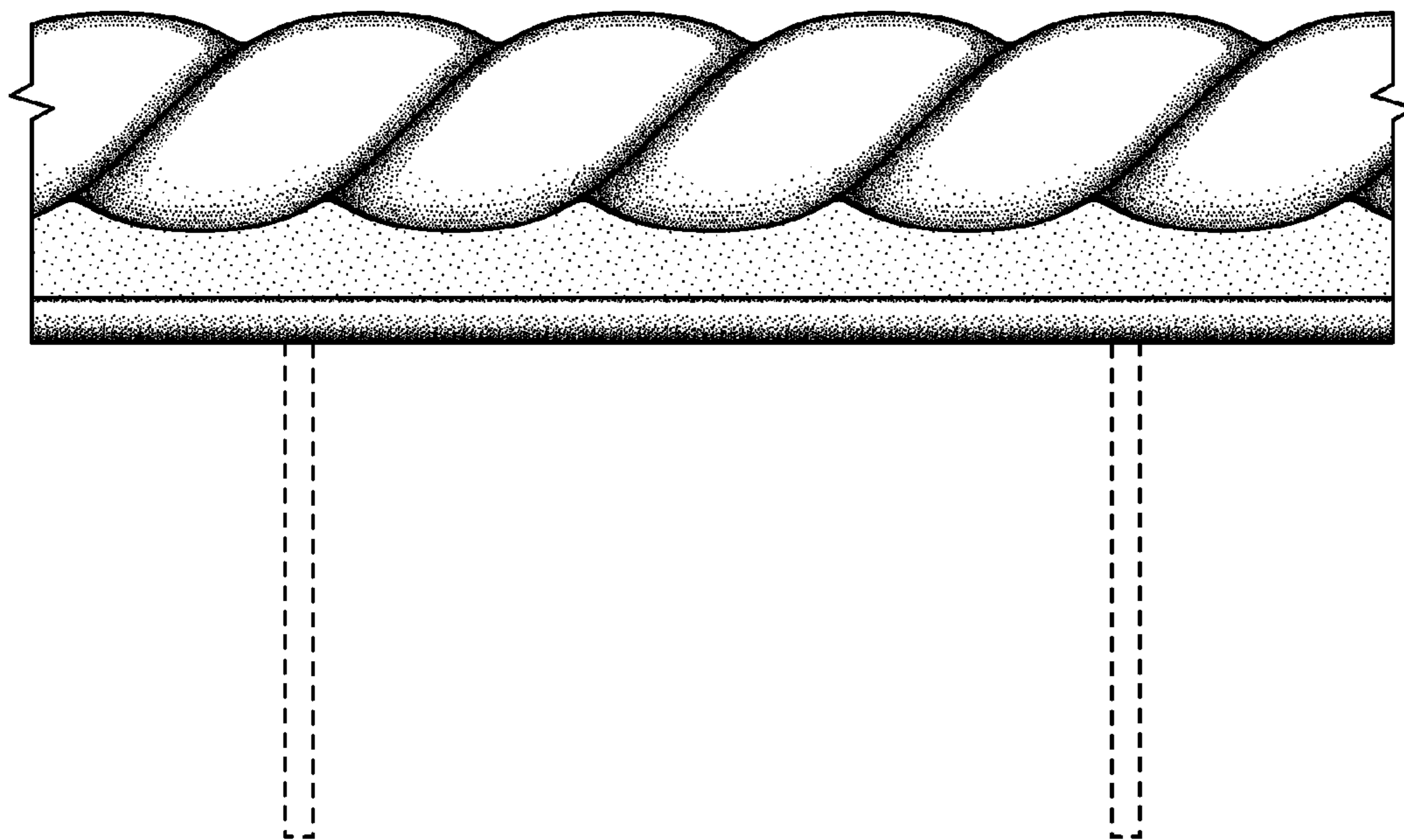


FIG. 9

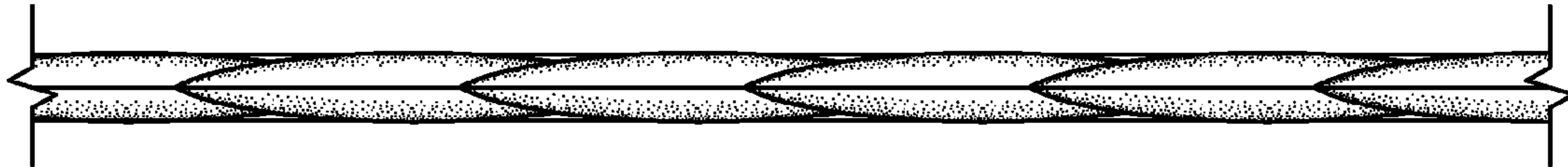


FIG. 10

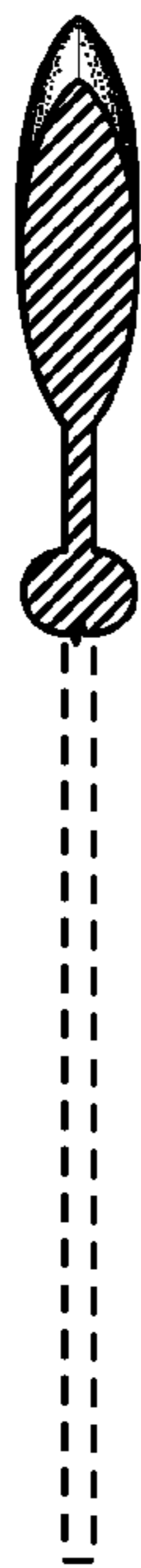


FIG. 11

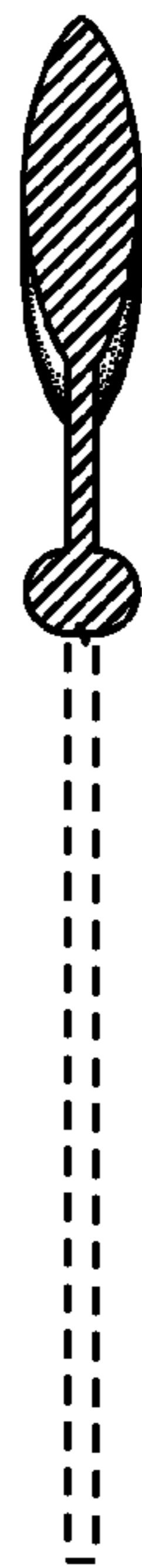


FIG. 12