



US00D631562S

(12) **United States Design Patent**
Han

(10) **Patent No.:** **US D631,562 S**
(45) **Date of Patent:** **** Jan. 25, 2011**

(54) **LADDER HINGE**

(75) Inventor: **Chunwen Han**, Guangzhou (CN)

(73) Assignee: **Guangzhou Hansheng Trade Development Co., Ltd** (CN)

(**) Term: **14 Years**

(21) Appl. No.: **29/364,345**

(22) Filed: **Jun. 22, 2010**

(51) **LOC (9) Cl.** **25-04**

(52) **U.S. Cl.** **D25/68**

(58) **Field of Classification Search** D25/68;
16/324; 182/156, 107, 185.1

See application file for complete search history.

(56) **References Cited**

U.S. PATENT DOCUMENTS

5,026,198 A * 6/1991 Lin 403/27
7,093,321 B2 * 8/2006 Burbrink et al. 16/324
D553,757 S * 10/2007 Moss et al. D25/68

* cited by examiner

Primary Examiner—Doris Clark

(74) *Attorney, Agent, or Firm*—Hani Z. Sayed; Rutan & Tucker, LLP

(57) **CLAIM**

The ornamental design for a ladder hinge, as shown and described.

DESCRIPTION

FIG. 1 is top, front, right side perspective view of the ladder hinge in an embodiment of the present invention;

FIG. 2 is a front elevation of the ladder hinge of the present invention;

FIG. 3 is a left side elevation of the ladder hinge of the present invention;

FIG. 4 is a rear view of the ladder hinge of the present invention;

FIG. 5 is a right side elevation view of the ladder hinge of the present invention;

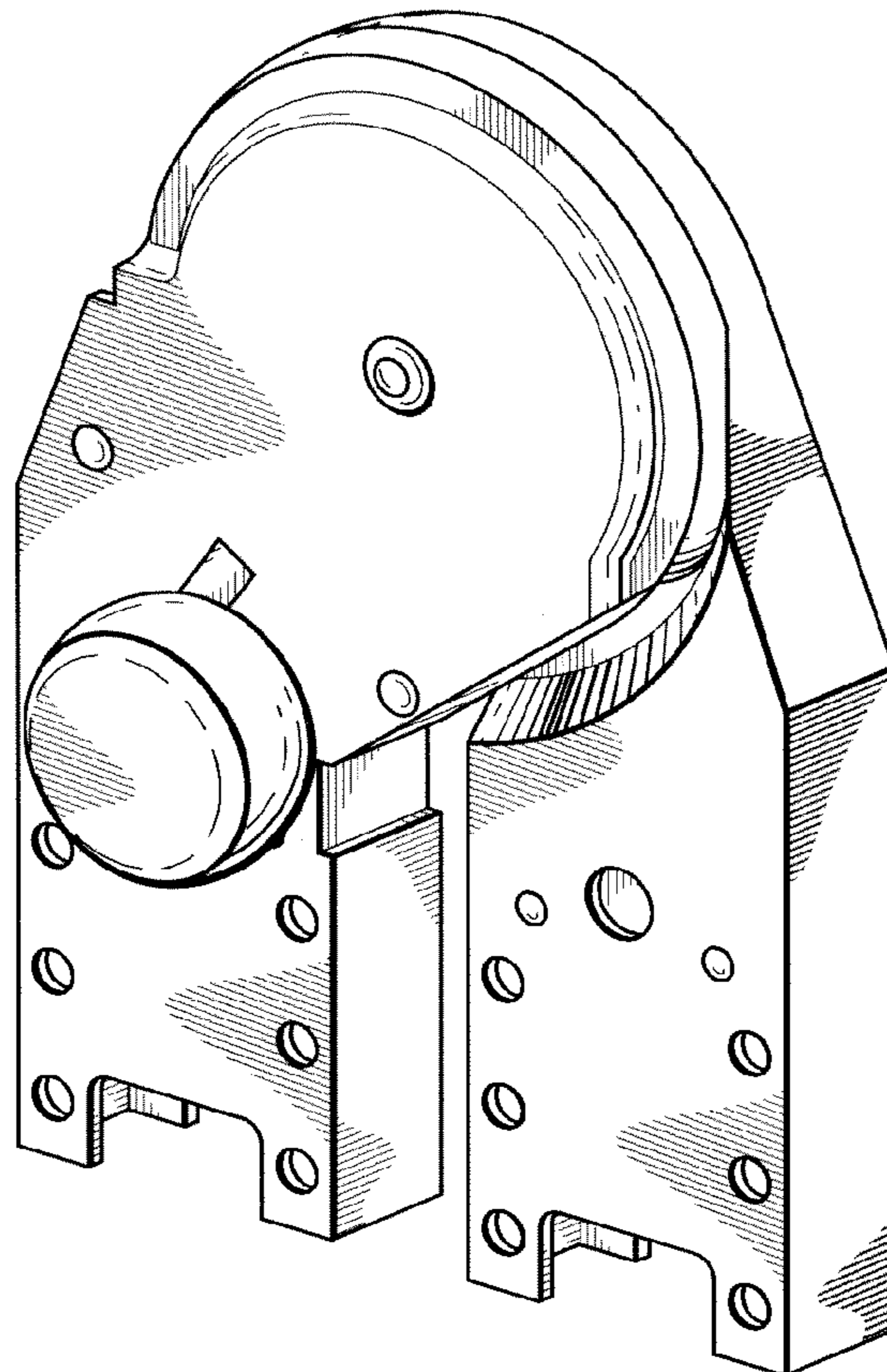
FIG. 6 is a top plane view of the ladder hinge of the present invention;

FIG. 7 is a bottom plane view of the ladder hinge of the present invention;

FIG. 8 is a top, front, right side perspective view of an alternate position of the ladder hinge of the present invention; and,

FIG. 9 is a perspective view of a ladder hinge. The broken lines are for illustrative purposes only and form no part of the claimed design.

1 Claim, 4 Drawing Sheets



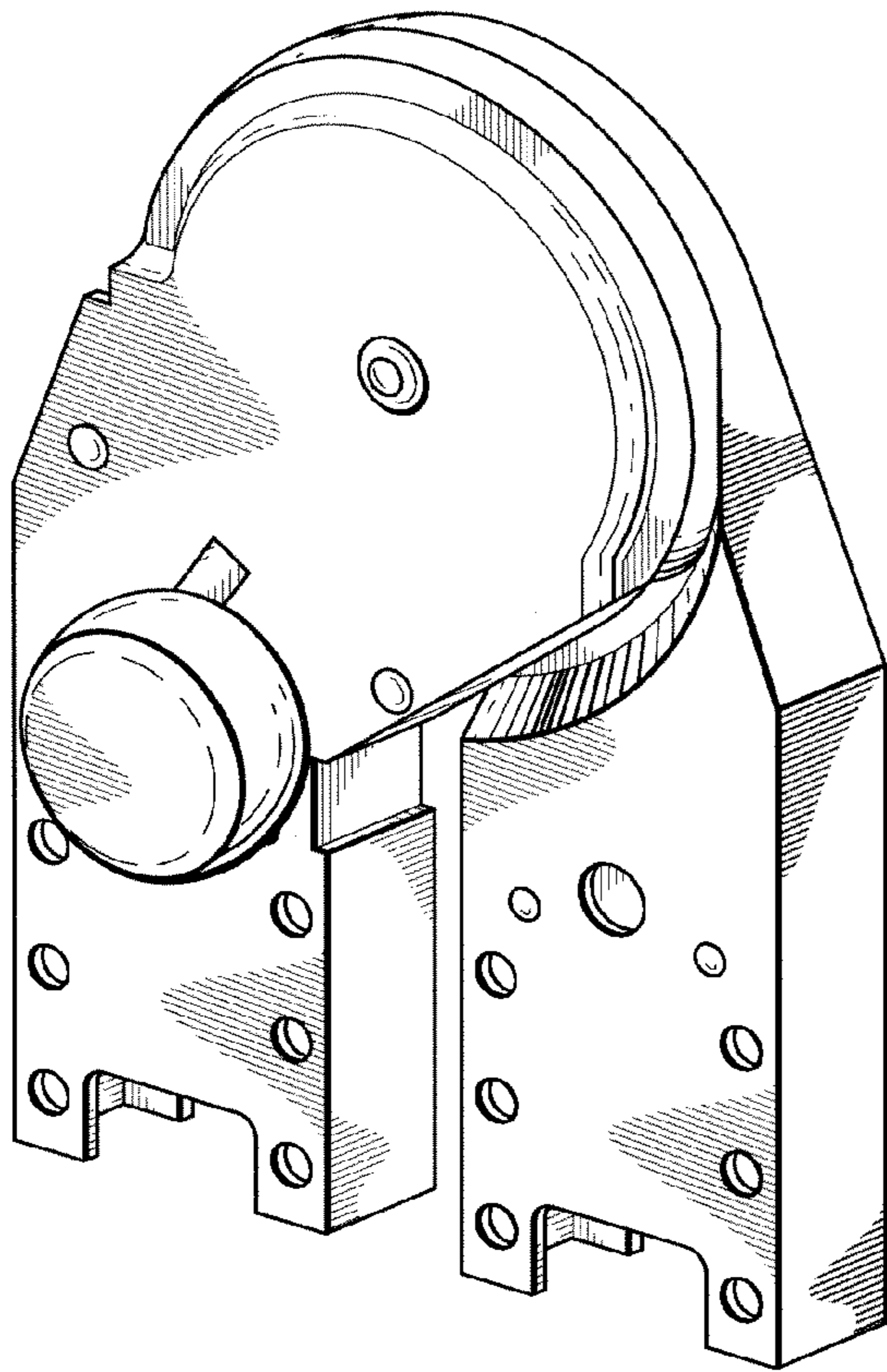


FIG. 1

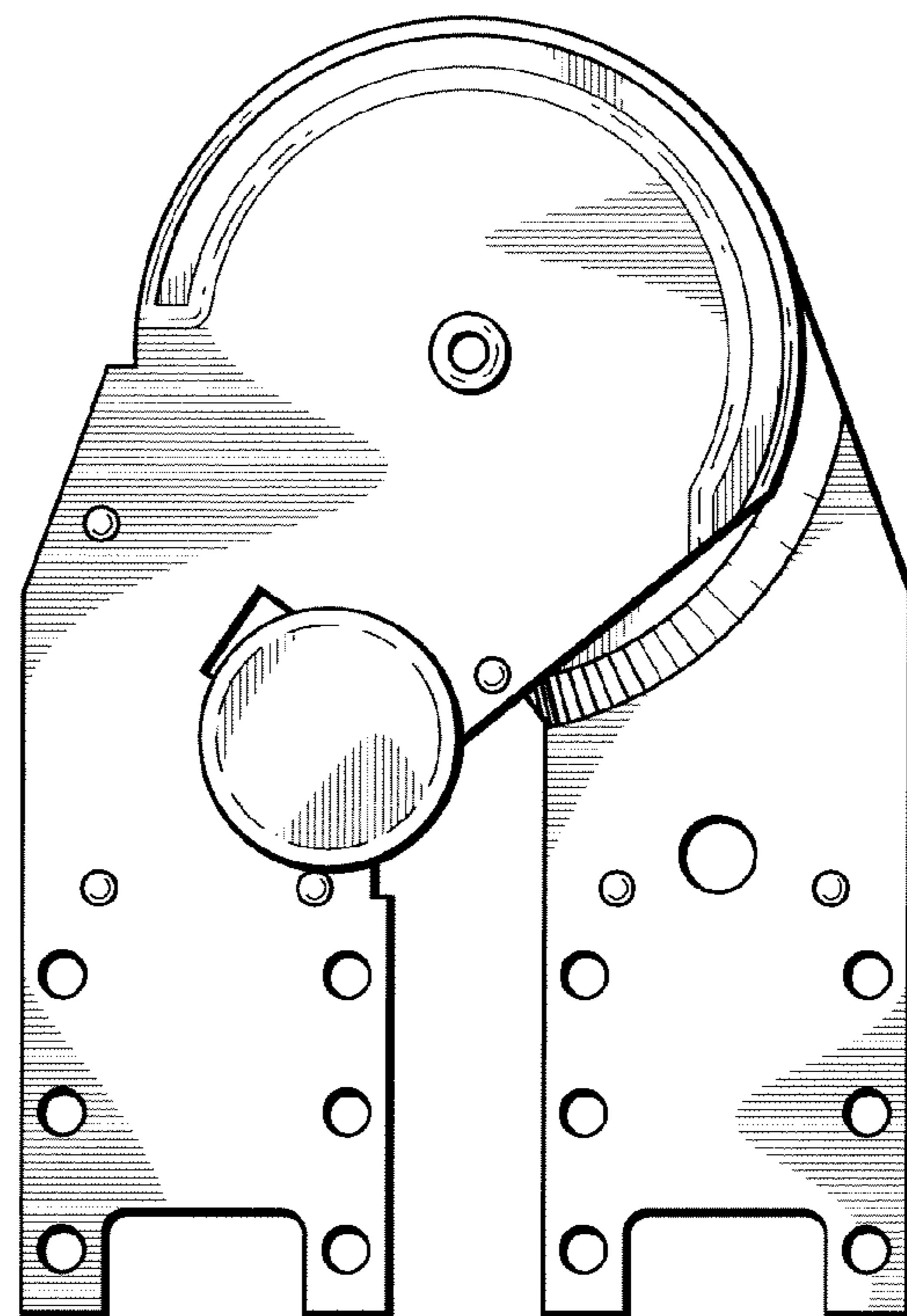


FIG. 2

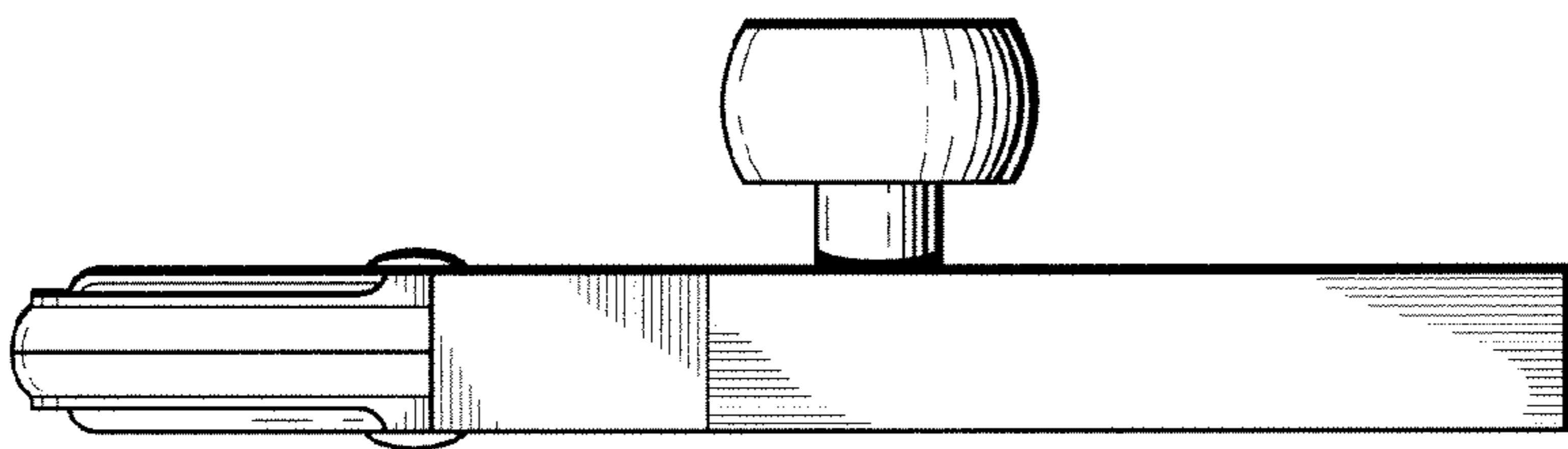


FIG. 3

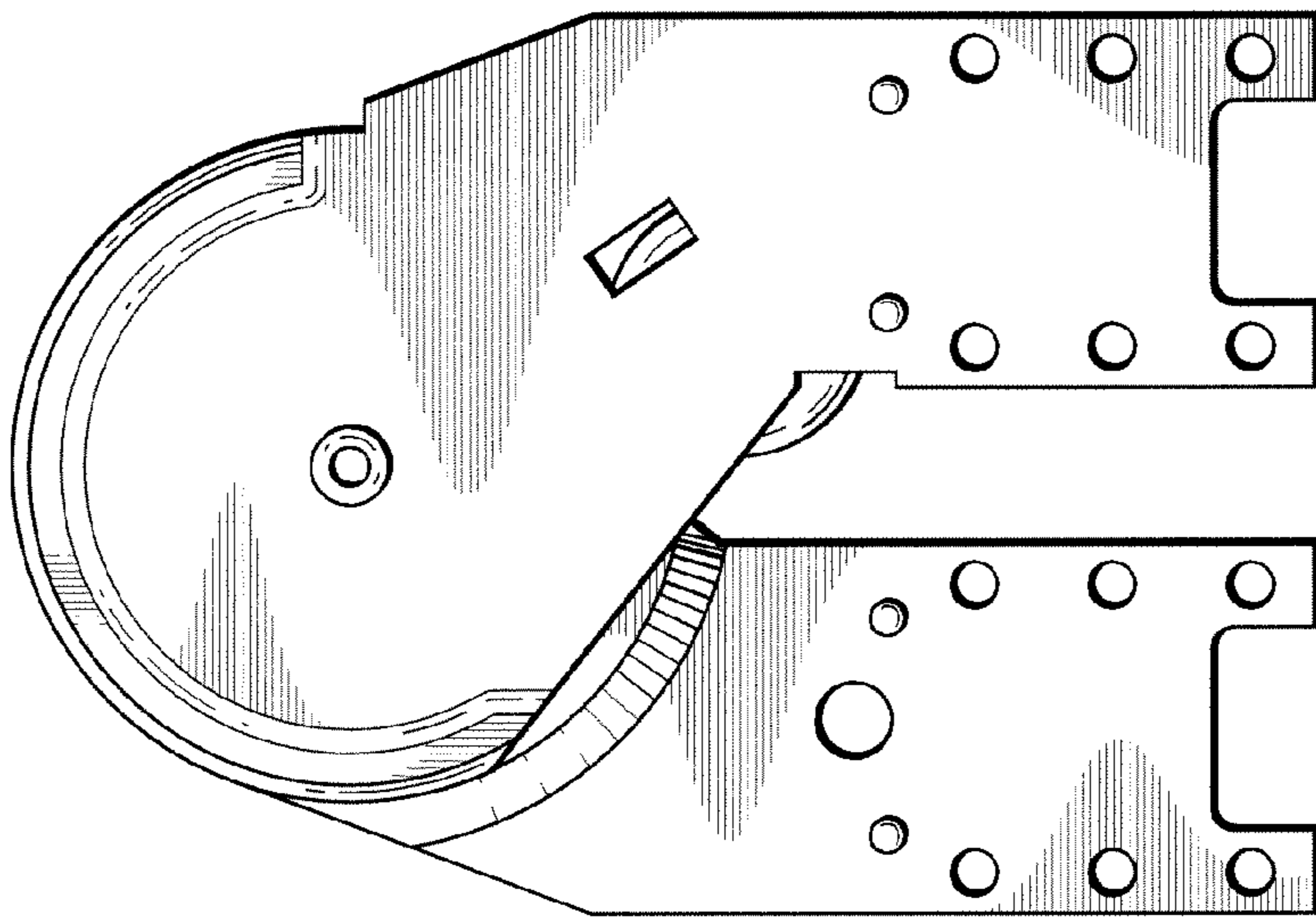


FIG. 4

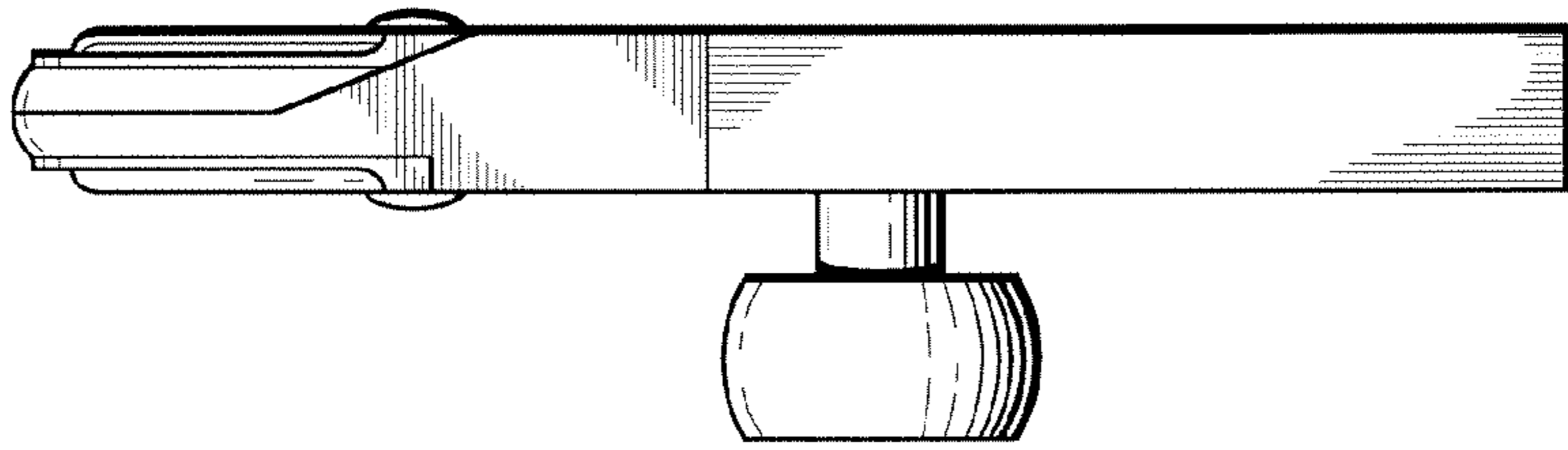


FIG. 5

FIG. 6

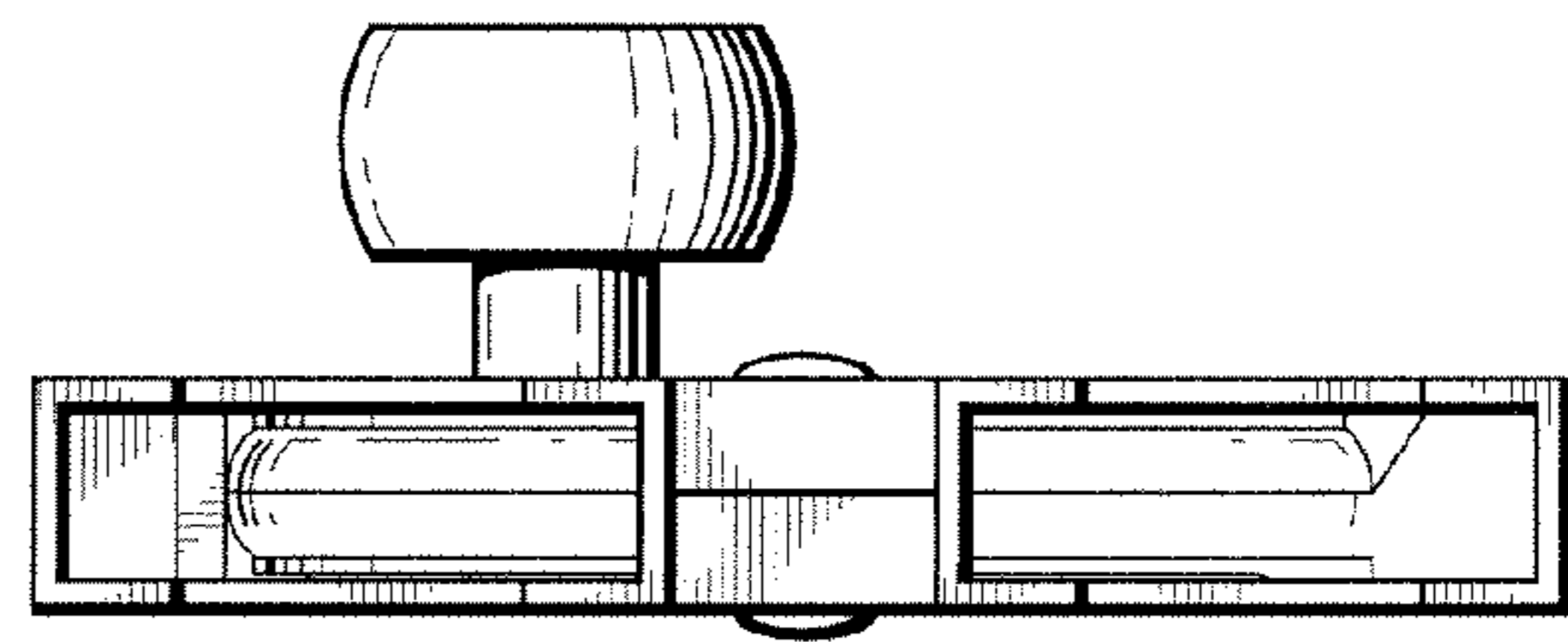
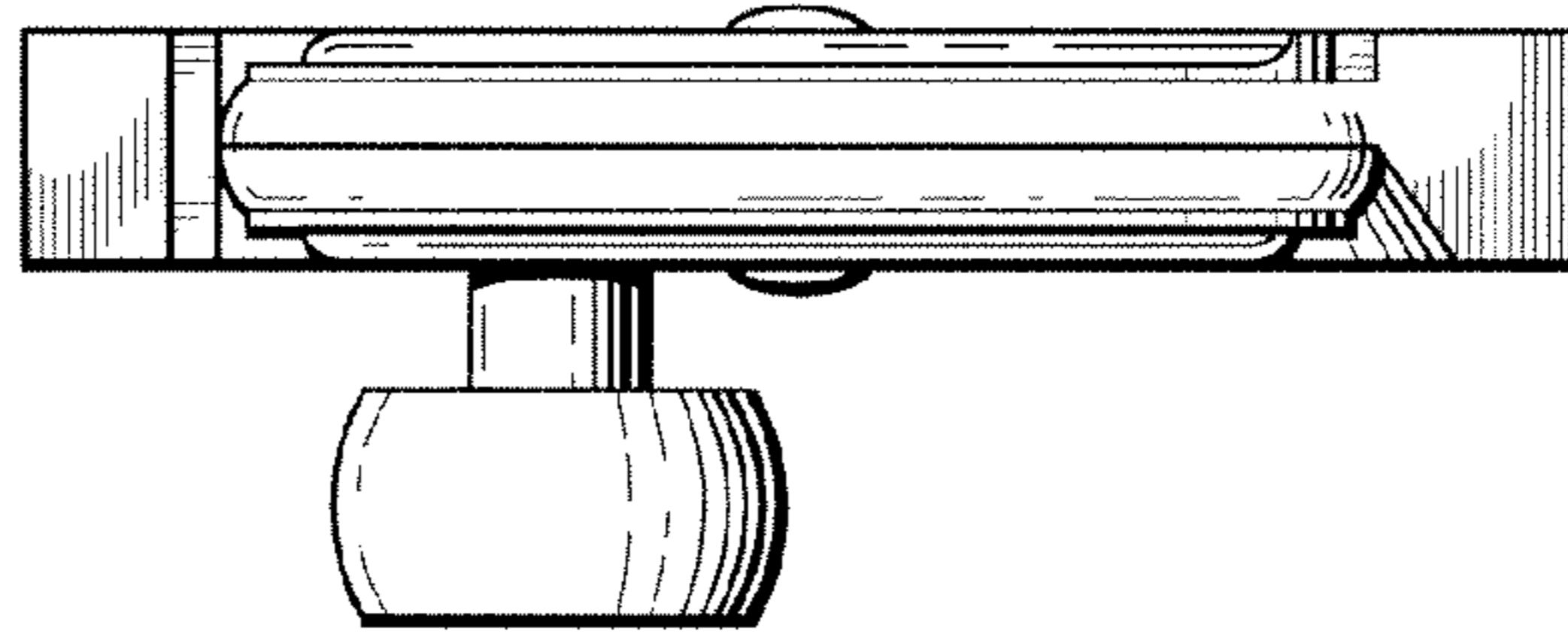


FIG. 7

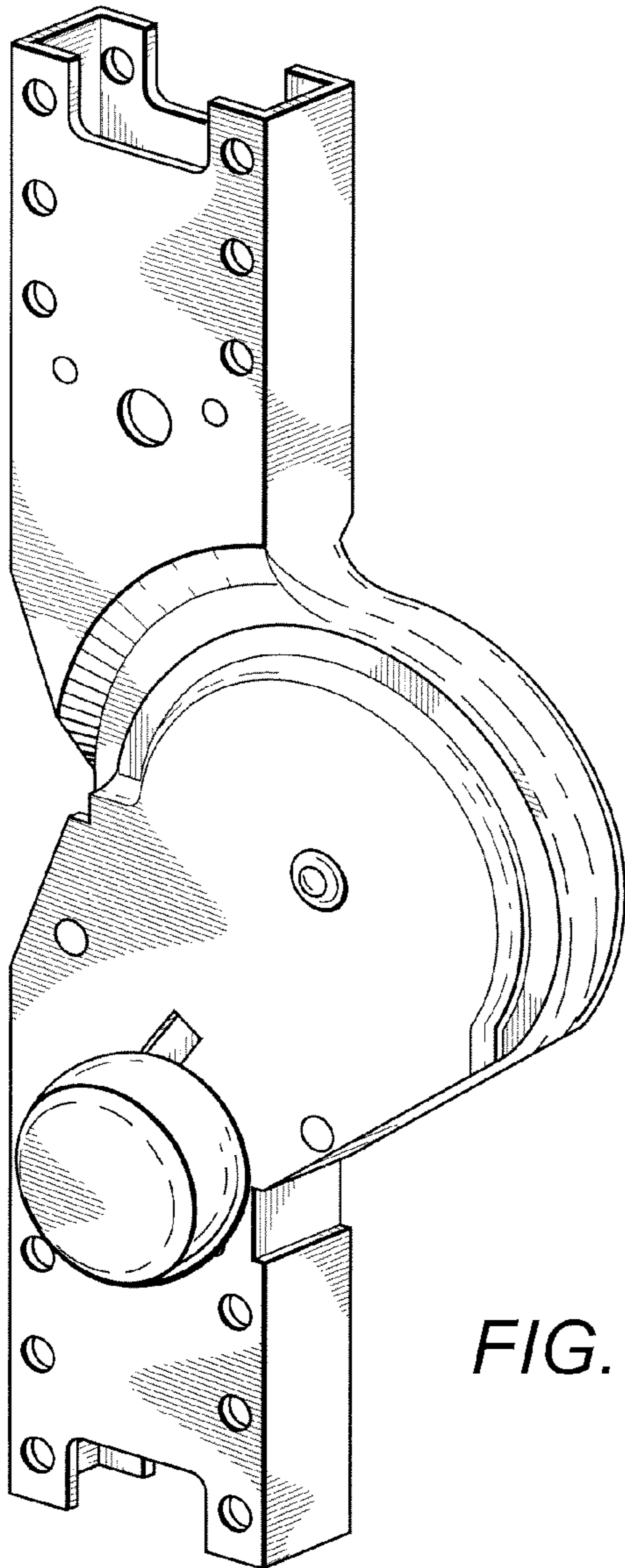


FIG. 8

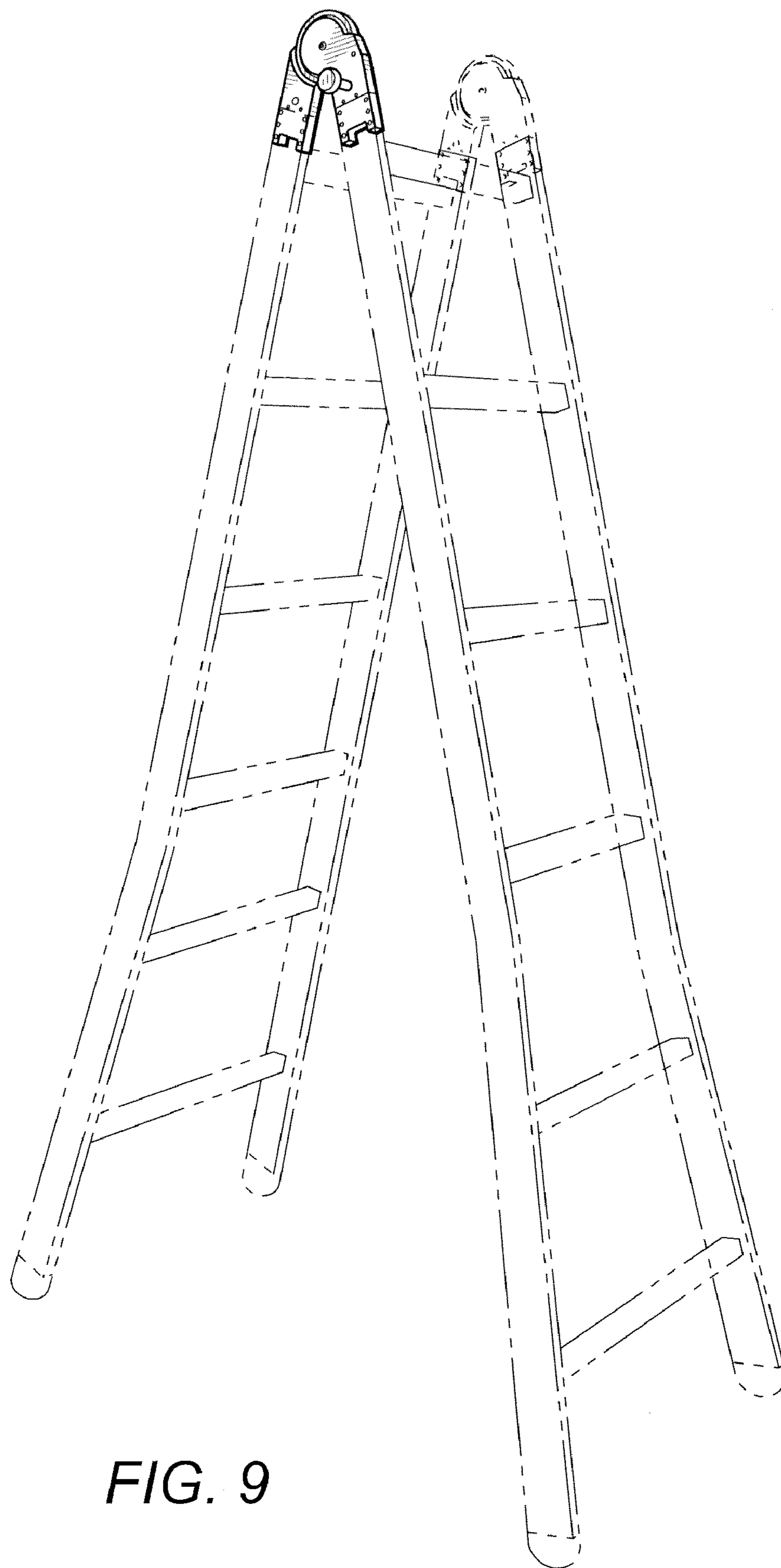


FIG. 9