



US00D631560S

(12) **United States Design Patent**
Merritt, Sr.

(10) **Patent No.:** **US D631,560 S**
(45) **Date of Patent:** **** Jan. 25, 2011**

(54) **MODULAR SAW HORSE**

7,320,383 B1 * 1/2008 Plate 182/186.4

(76) Inventor: **Tyrell R. Merritt, Sr.**, 170 Horse Trail Rd., Cordova, SC (US) 29039

* cited by examiner

(**) Term: **14 Years**

Primary Examiner—Doris Clark
(74) *Attorney, Agent, or Firm*—Crossley Patent Law; Mark A. Crossley

(21) Appl. No.: **29/366,524**

(57) **CLAIM**

(22) Filed: **Jul. 27, 2010**

The ornamental design for a modular saw horse, as shown and described.

(51) **LOC (9) Cl.** **25-04**

(52) **U.S. Cl.** **D25/67**

(58) **Field of Classification Search** D25/67;
182/153, 155, 152, 179.1, 181.1, 224
See application file for complete search history.

DESCRIPTION

FIG. 1 is a front elevation view of a modular saw horse showing my new design, the opposite side being a mirror image of the shown;

(56) **References Cited**

U.S. PATENT DOCUMENTS

2,911,265	A	11/1959	Hannah	
3,035,660	A	5/1962	Leon	
D245,105	S *	7/1977	Rader D25/67
4,890,693	A	1/1990	O'Brien	
4,923,051	A *	5/1990	Newville 182/151
5,215,162	A	6/1993	Parks et al.	
D376,656	S	12/1996	Jackson	
D459,004	S *	6/2002	Burkholder D25/67

FIG. 2 is a right elevation view thereof, the opposite side being a mirror image of the shown;

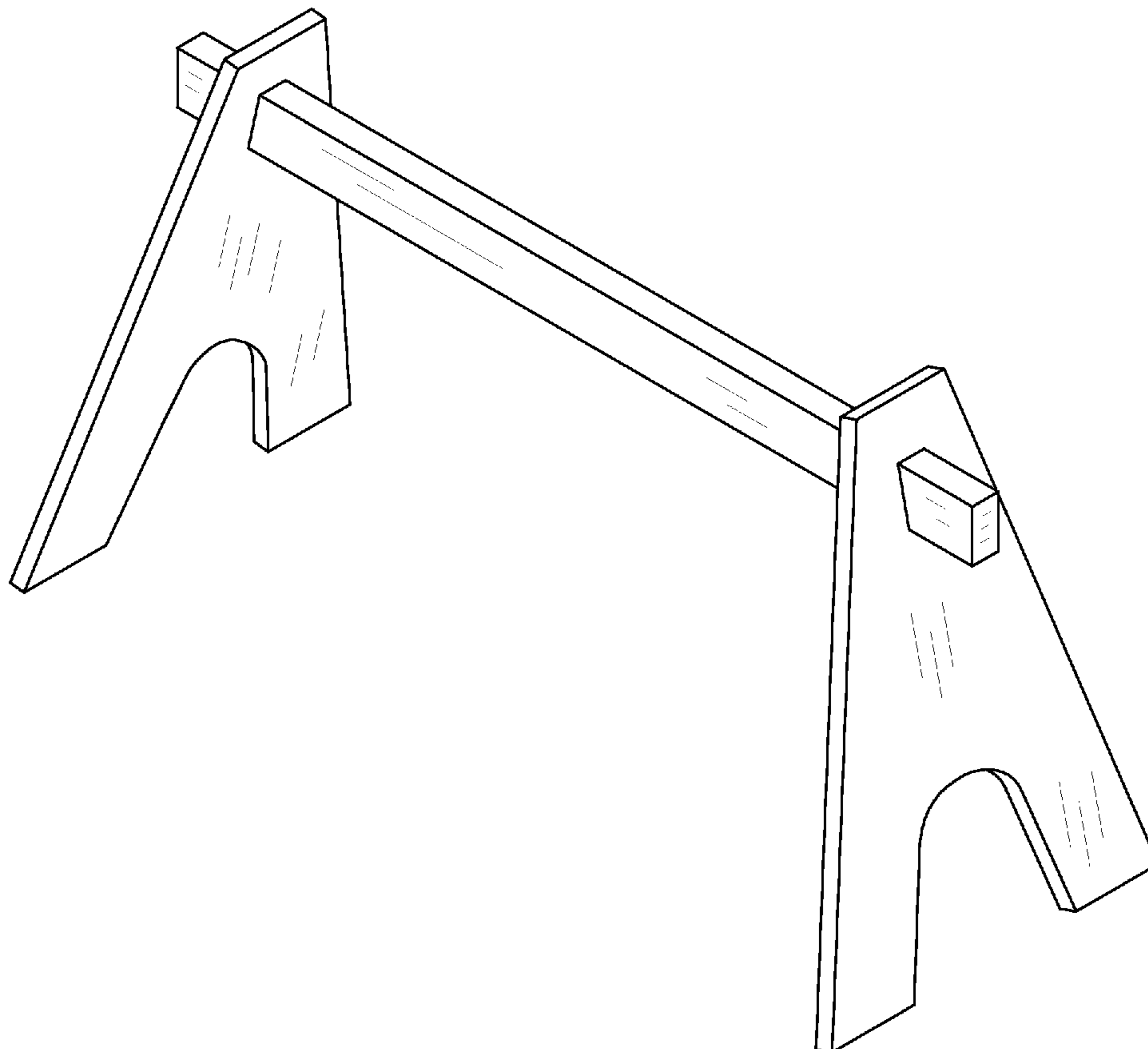
FIG. 3 is a top plan view thereof;

FIG. 4 is a bottom plan view thereof;

FIG. 5 is an isometric view thereof; and,

FIG. 6 is an isometric view thereof showing a top beam and a pair of legs separated for clarity.

1 Claim, 4 Drawing Sheets



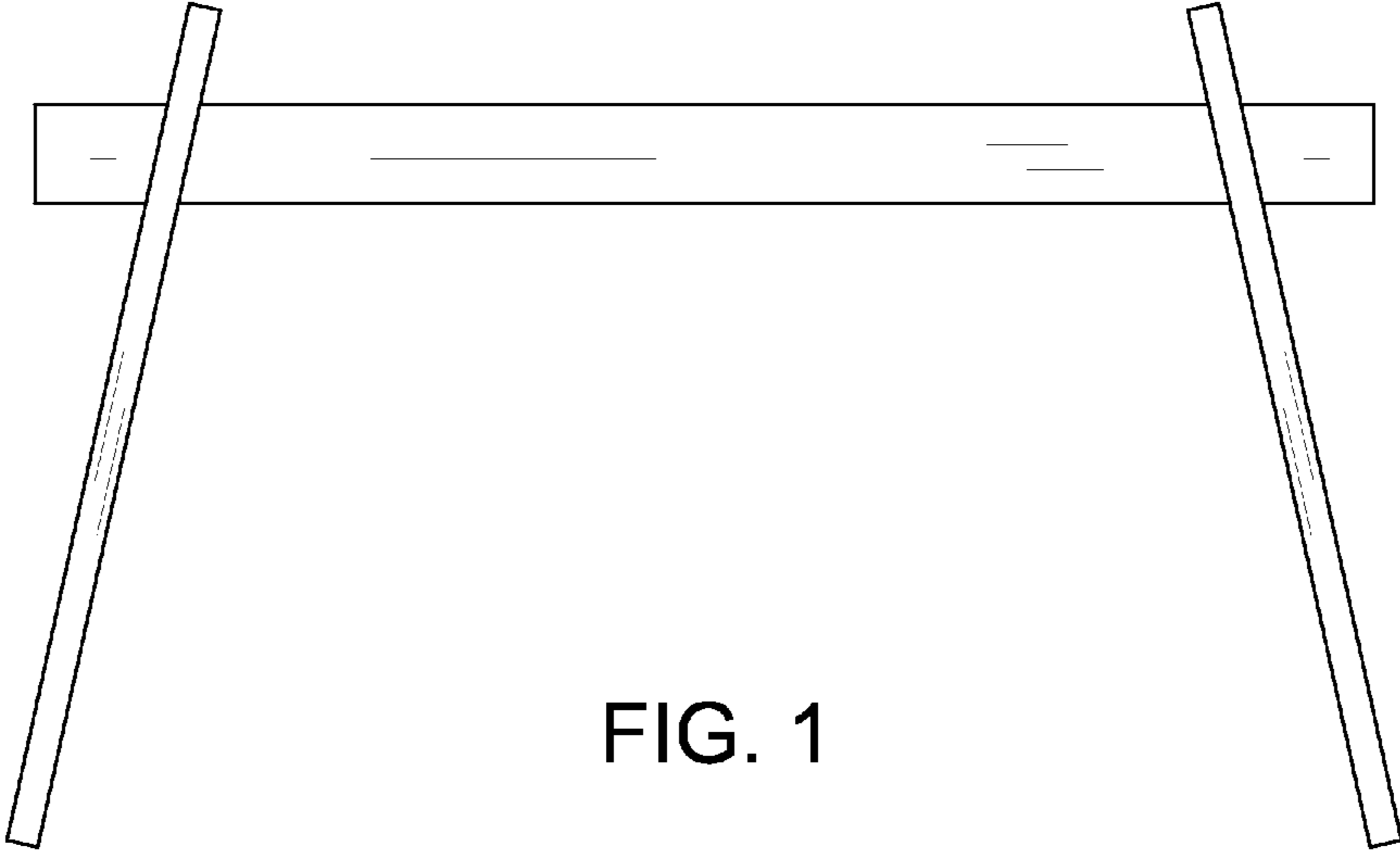


FIG. 1

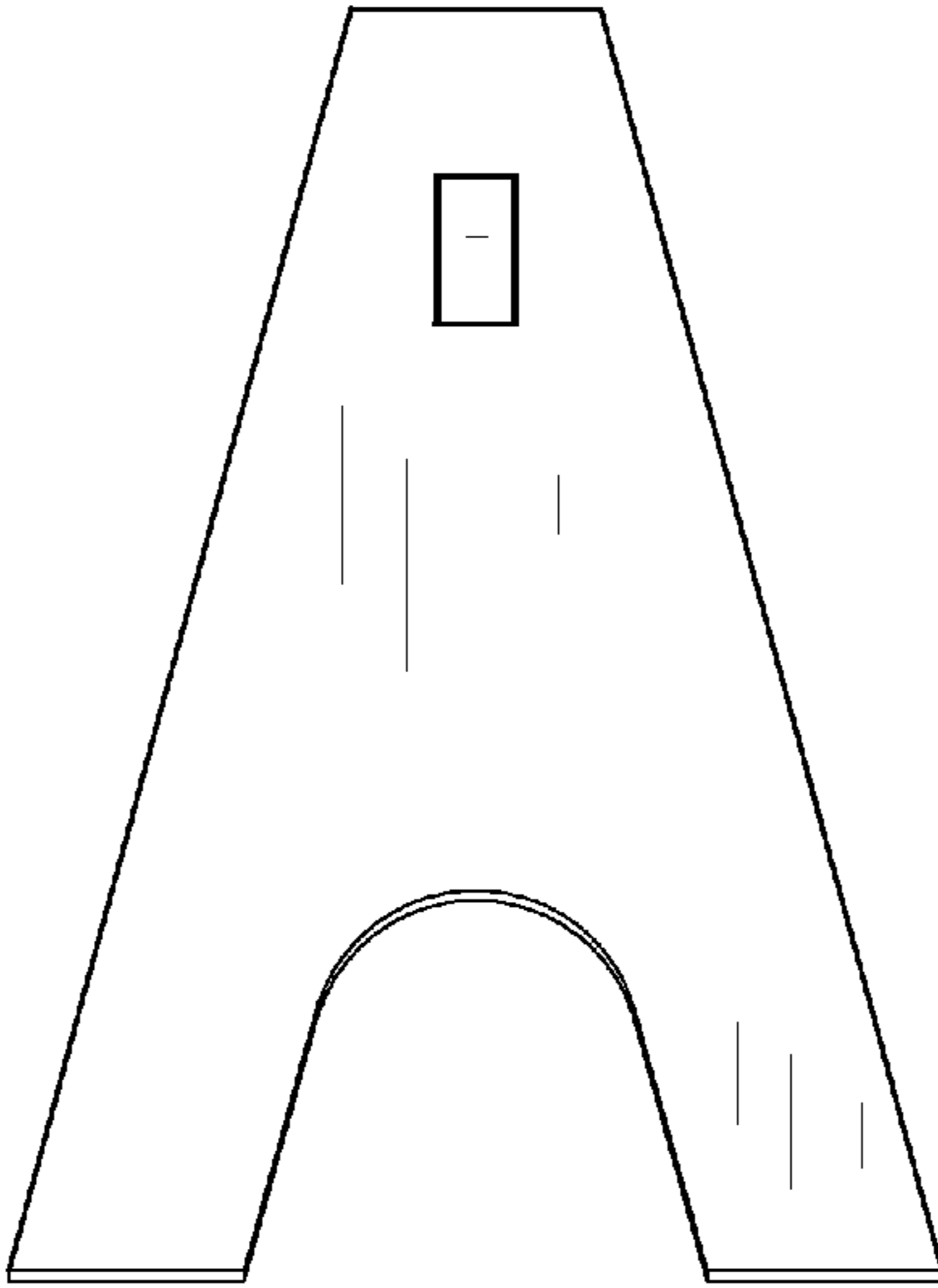


FIG. 2

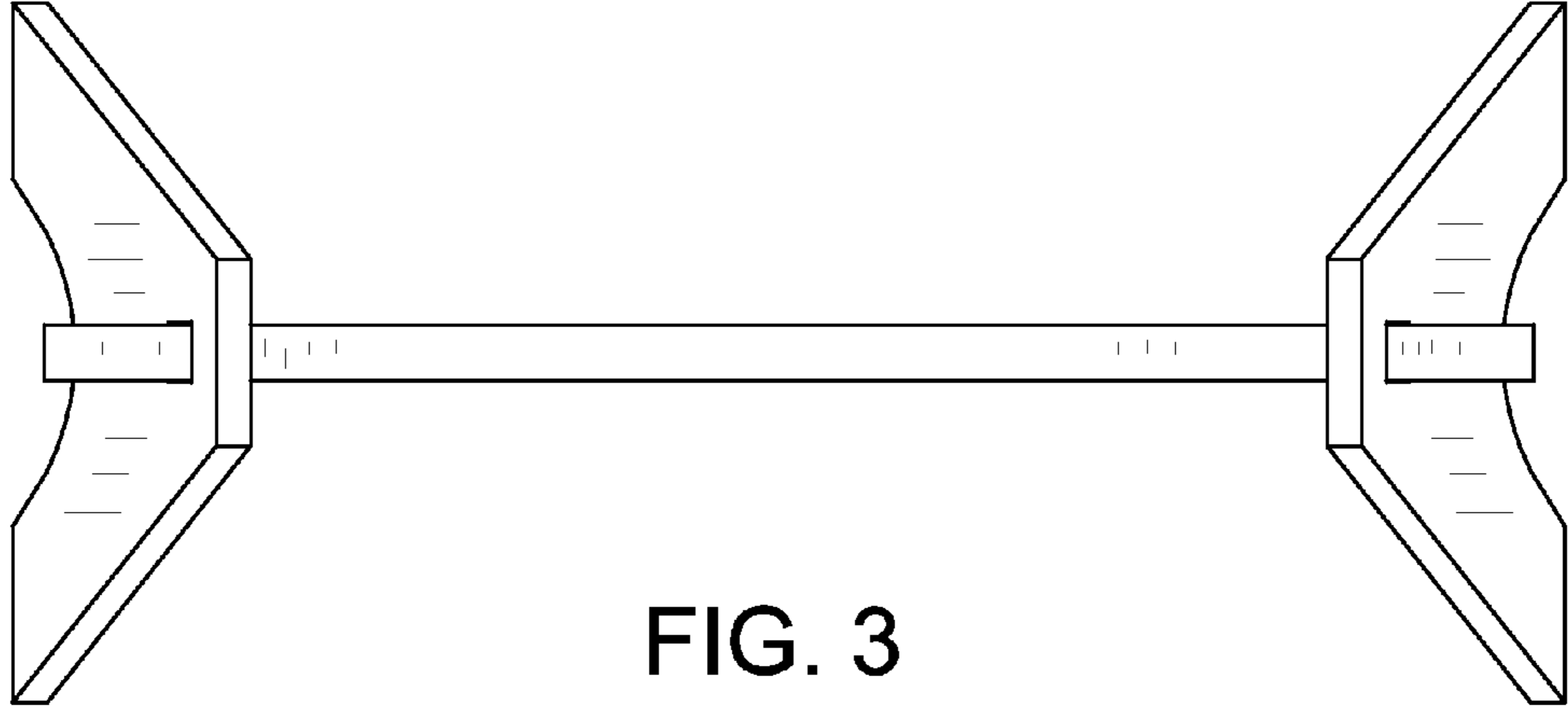


FIG. 3

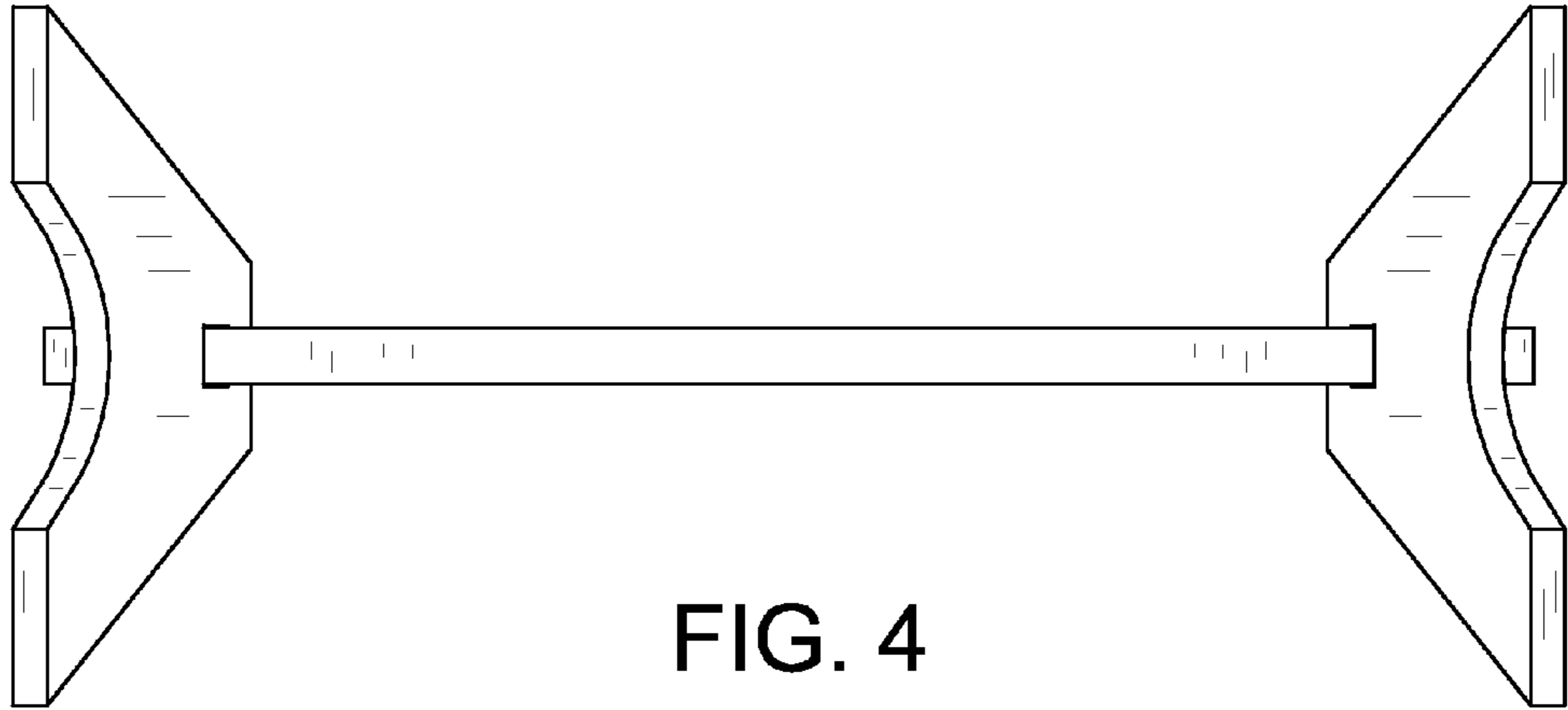


FIG. 4

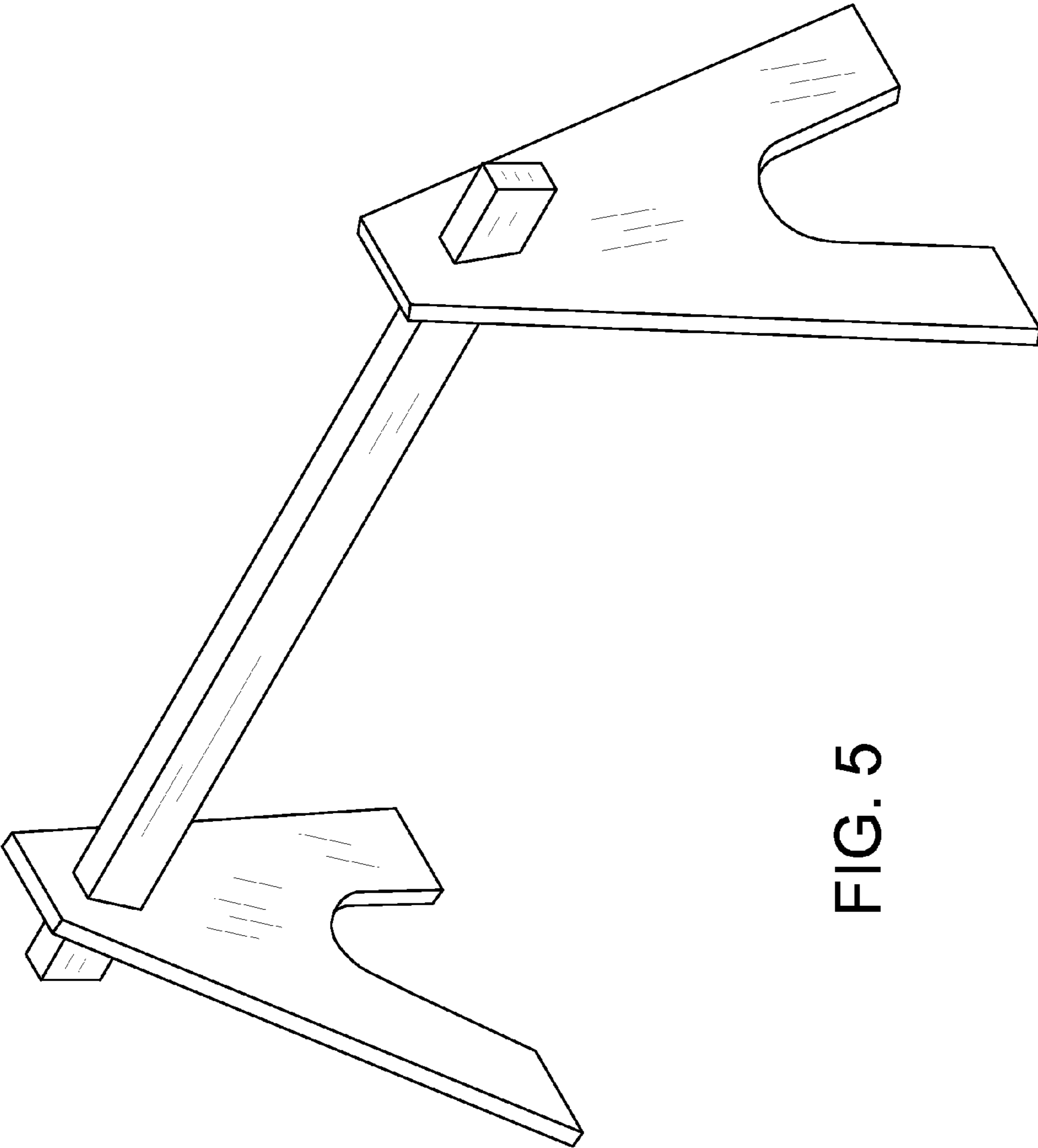


FIG. 5

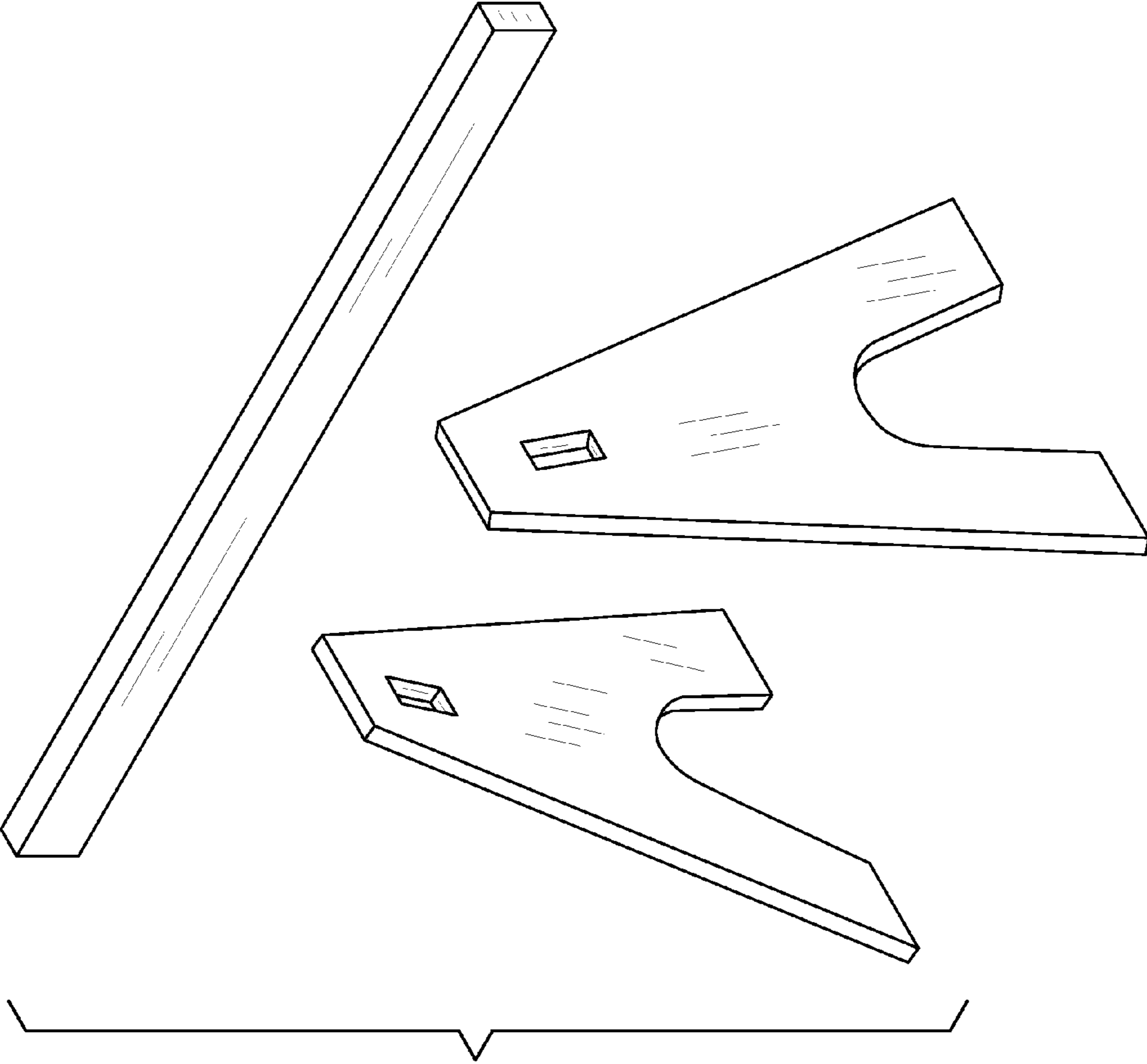


FIG. 6