

US00D631558S

(12) **United States Design Patent**
Harmston et al.

(10) **Patent No.:** **US D631,558 S**

(45) **Date of Patent:** **** Jan. 25, 2011**

(54) **SPECIMEN COLLECTION AND TRANSPORT KIT**

(75) Inventors: **Christopher H. Harmston**, Heber City, UT (US); **Steven J. Smith**, Mendon, UT (US)

(73) Assignee: **Identigene L.L.C.**, Salt Lake City, UT (US)

(**) Term: **14 Years**

(21) Appl. No.: **29/370,227**

(22) Filed: **Jun. 16, 2010**

(51) **LOC (9) Cl.** **24-01**

(52) **U.S. Cl.** **D24/229**

(58) **Field of Classification Search** D24/123,
D24/176, 216, 223–232; 422/99, 102, 104,
422/297, 300; 433/77; D9/737; 206/557;
D6/406.1, 406.2, 406.3, 601
See application file for complete search history.

(56) **References Cited**

U.S. PATENT DOCUMENTS

D220,040 S *	3/1971	Bowley	D24/230
D237,317 S	10/1975	Nowakowski et al.		
D241,174 S *	8/1976	Pinto	D24/223
D247,822 S *	5/1978	Hein et al.	D24/230
D274,752 S *	7/1984	Byrne	D24/223
D275,789 S *	10/1984	Byrne	D24/223
D280,290 S *	8/1985	Bakus	D9/737
D280,663 S	9/1985	Albon et al.		
D282,399 S *	1/1986	Stafford	D24/223
D283,640 S *	4/1986	Grimes	D24/223
D288,716 S	3/1987	Covell et al.		
D293,820 S *	1/1988	Guth et al.	D24/230
D306,645 S	3/1990	Parker		

D351,661 S *	10/1994	Fischer	D24/230
D352,116 S	11/1994	Kienholz		
D366,529 S	1/1996	Babaoglu et al.		
D367,714 S	3/1996	Pennicook		
D414,270 S *	9/1999	Escoffier	D24/216
D414,561 S *	9/1999	Escoffier	D24/216
D437,941 S *	2/2001	Frattini	D24/229
D445,198 S *	7/2001	Frattini	D24/227
D450,130 S *	11/2001	Goldstein	D24/227
D469,881 S *	2/2003	Peterson et al.	D24/223
D470,597 S *	2/2003	Peterson et al.	D24/223
D484,988 S *	1/2004	Peterson et al.	D24/216
D608,458 S *	1/2010	Carlson	D24/230

* cited by examiner

Primary Examiner—T. Chase Nelson

Assistant Examiner—Mark Cavanna

(74) *Attorney, Agent, or Firm*—Kristie M. Parker

(57) **CLAIM**

The ornamental design for a specimen collection and transport kit, as shown and described.

DESCRIPTION

FIG. 1 is a perspective view showing a new design;

FIG. 2 is a top view of the new design;

FIG. 3 is a bottom view of the new design;

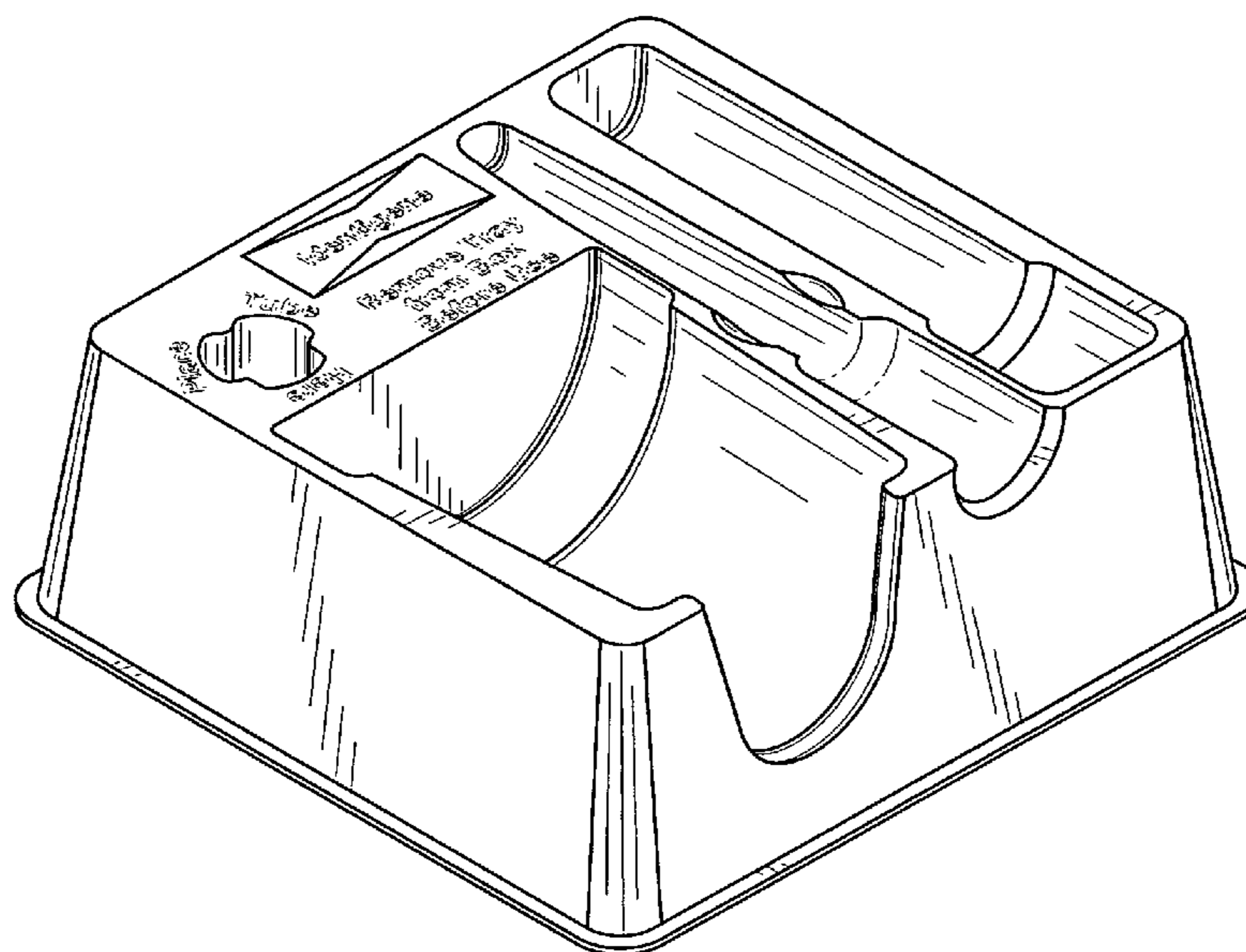
FIG. 4 is a front view of the new design; and,

FIG. 5 is a left side view of the new design.

The right side view and the rear view are the same as the left side view.

The broken lines shown are included for the purpose of illustrating a portion of the specimen collection and transport kit that forms no part of the claimed design.

1 Claim, 3 Drawing Sheets



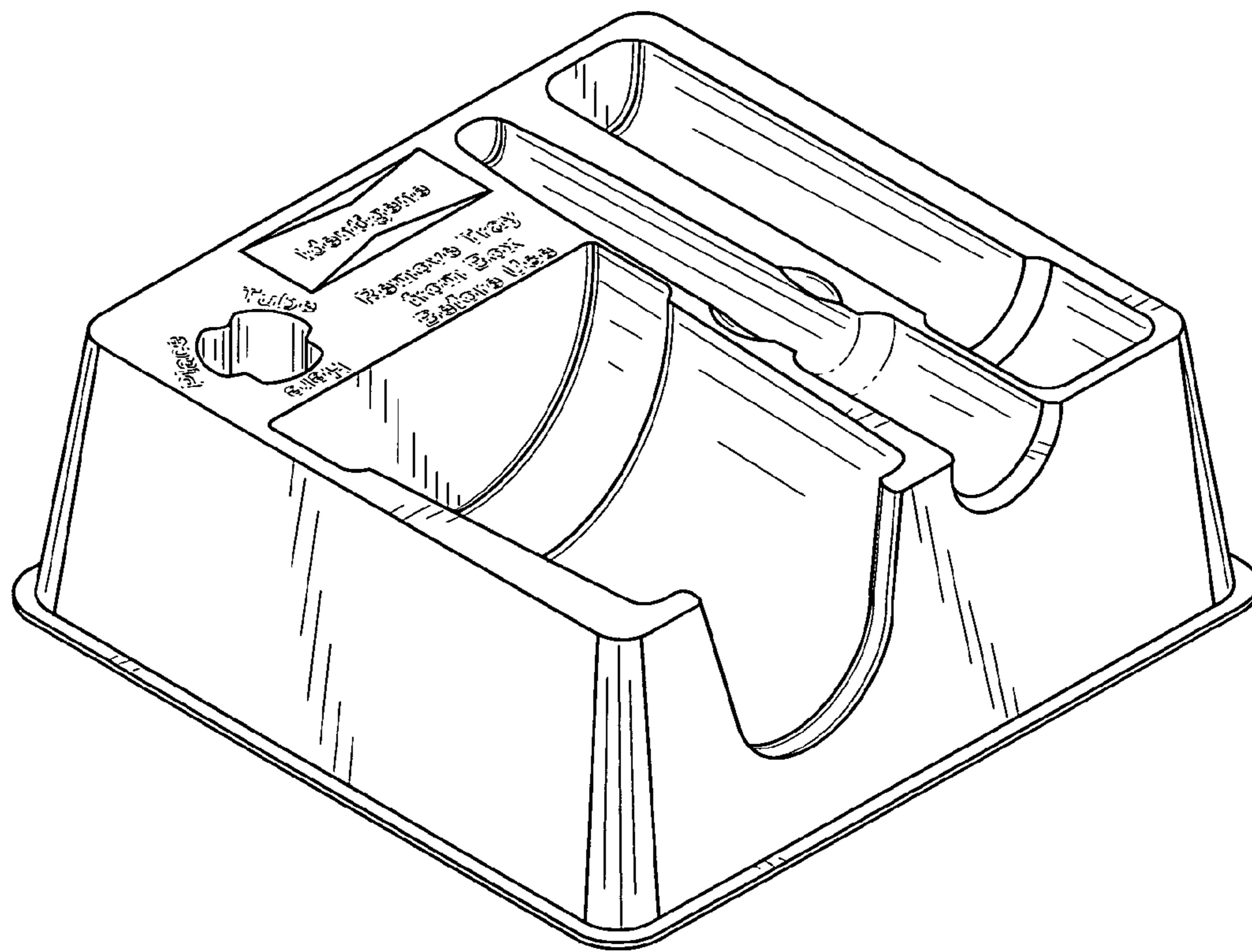


FIG. 1

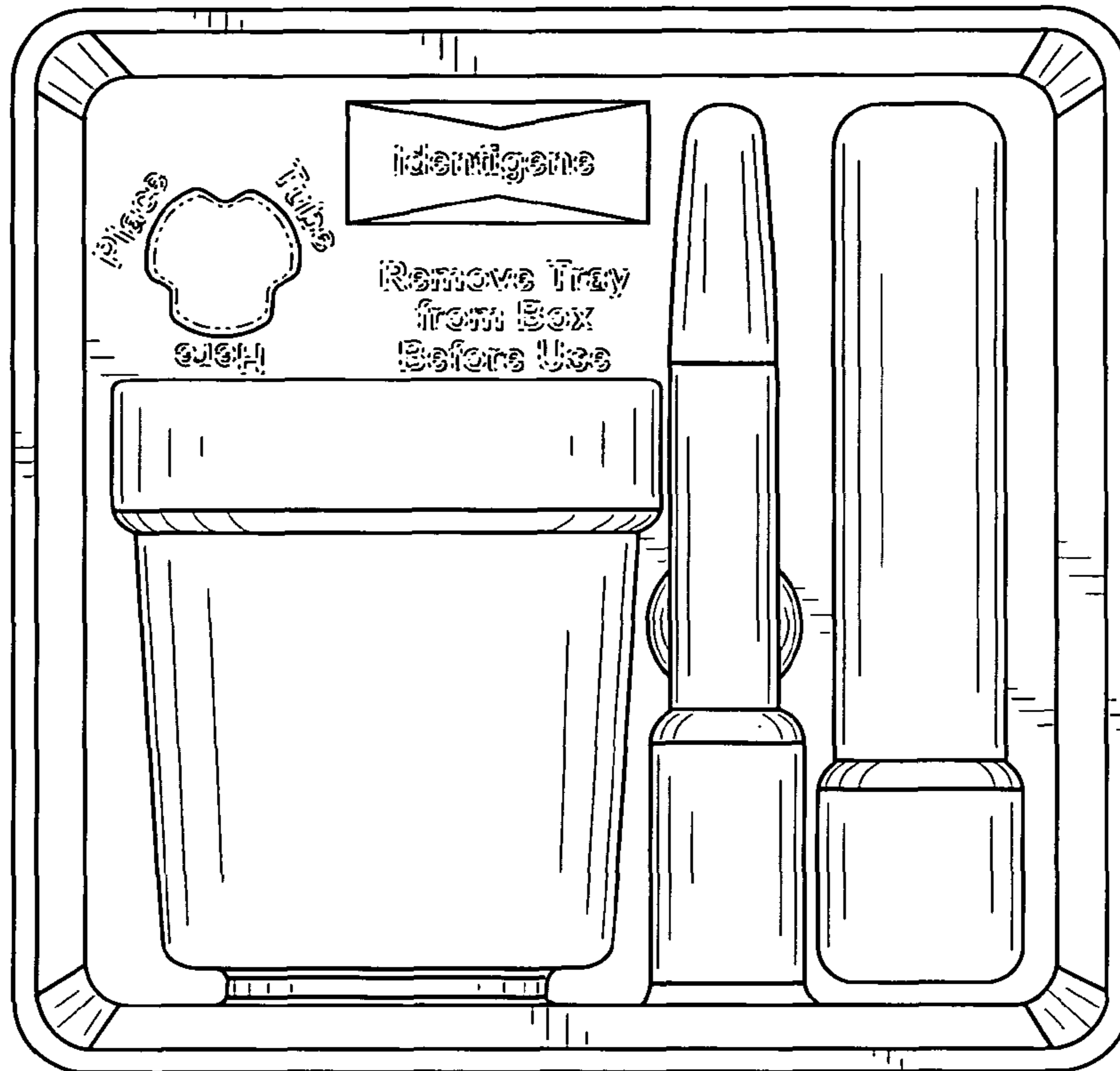


FIG. 2

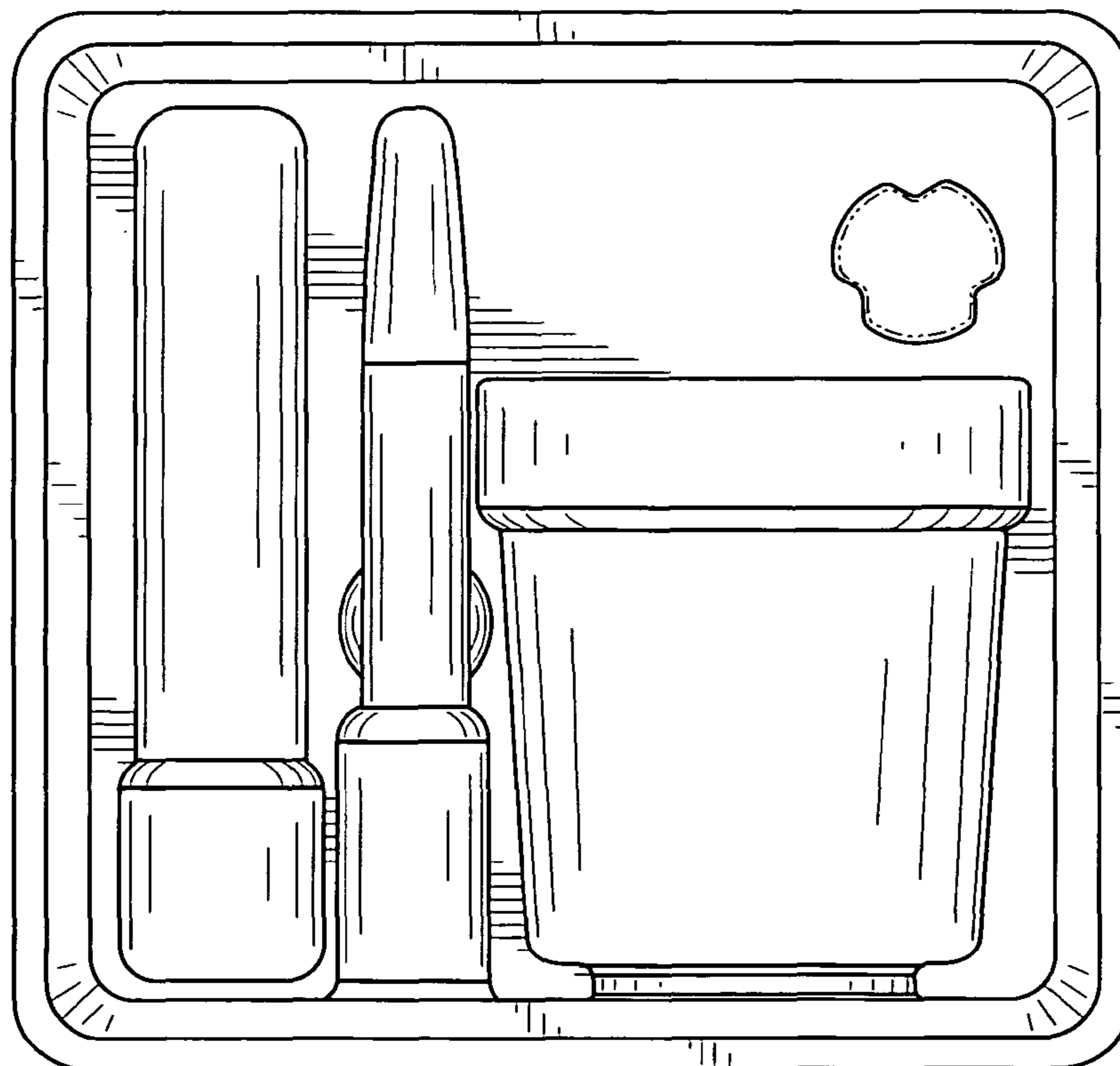


FIG. 3

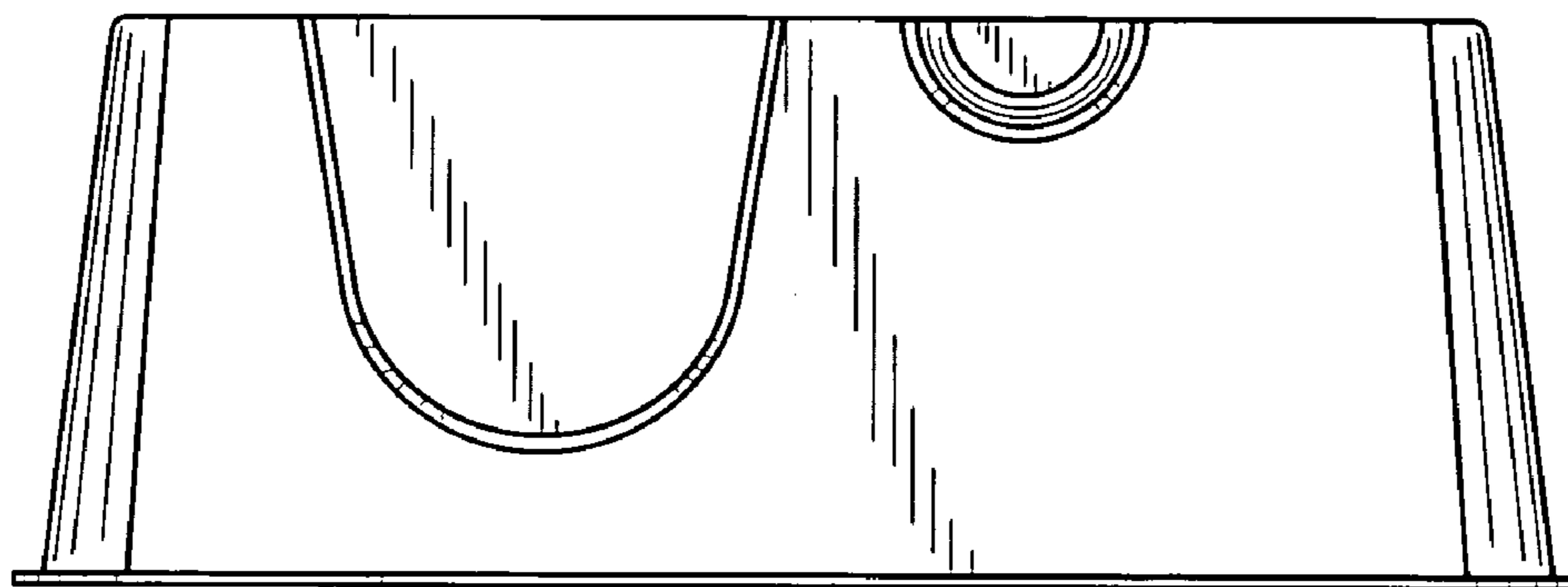


FIG. 4

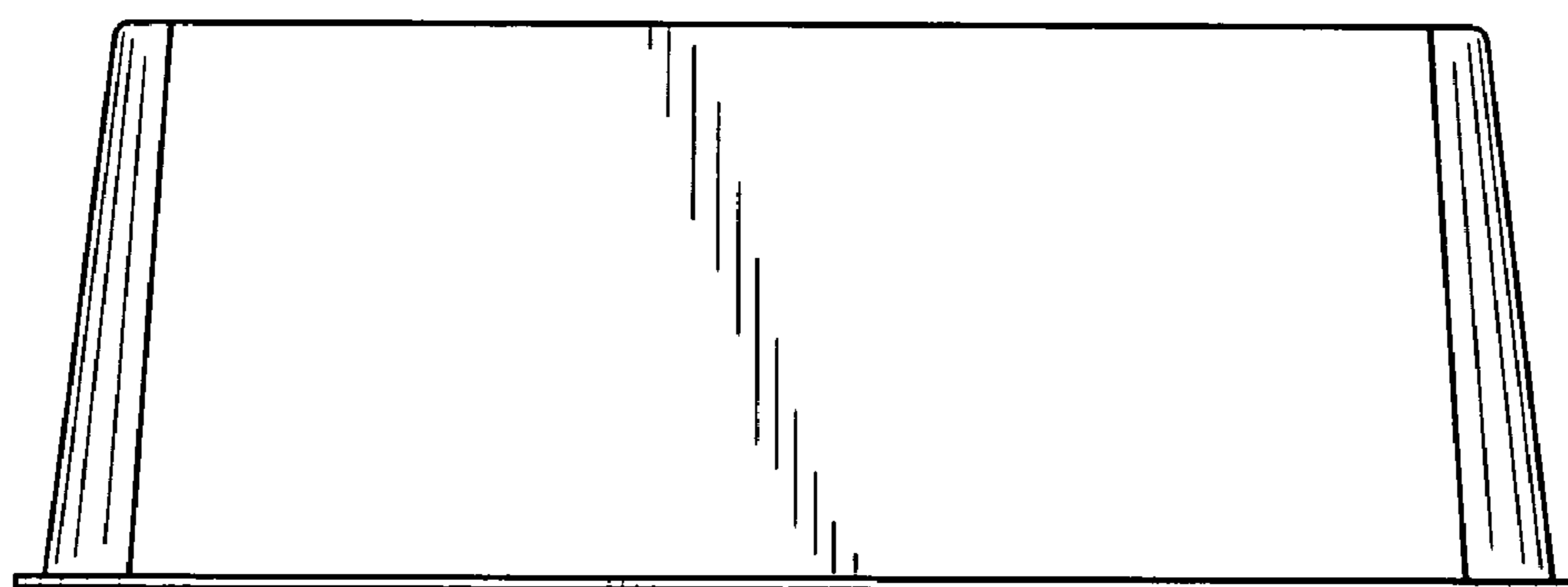


FIG. 5