



US00D631557S

(12) **United States Design Patent**
Tajima et al.

(10) **Patent No.:** **US D631,557 S**
(45) **Date of Patent:** **** Jan. 25, 2011**

(54) **CARTRIDGE CONTAINER FOR SEPARATING MAGNETIC PARTICLES**

(75) Inventors: **Hideji Tajima**, Matsudo (JP); **Yoshinao Hirahara**, Matsudo (JP)

(73) Assignee: **Universal Bio Research Co., Ltd**, Chiba (JP)

(**) Term: **14 Years**

(21) Appl. No.: **29/358,911**

(22) Filed: **Apr. 1, 2010**

(30) **Foreign Application Priority Data**

Oct. 2, 2009 (JP) 2009-022979

(51) **LOC (9) Cl.** **24-02**

(52) **U.S. Cl.** **D24/229**

(58) **Field of Classification Search** D24/108, D24/127-130, 216, 222, 224-232; 422/63-64, 422/99-104, 250, 266, 297, 300, 476; 211/69, 211/71-72, 74, 71.01

See application file for complete search history.

(56) **References Cited**

U.S. PATENT DOCUMENTS

- D264,810 S * 6/1982 Voltmann D24/226
- D271,239 S * 11/1983 Lemieux et al. D24/230
- D337,165 S * 7/1993 Malinoff D24/222
- 5,487,872 A * 1/1996 Hafeman et al. 422/102
- D411,308 S * 6/1999 Pandey et al. D24/216
- D414,271 S * 9/1999 Mendoza D24/227
- D420,142 S * 2/2000 Ballin et al. D24/230
- D420,743 S * 2/2000 Monks D24/224
- 6,019,225 A * 2/2000 Kalmakis et al. 211/74
- D448,854 S * 10/2001 Kuiper et al. D24/230

- D461,554 S * 8/2002 Lafond et al. D24/230
- D466,219 S * 11/2002 Wynschenk et al. D24/227
- 6,875,405 B1 * 4/2005 Mathus et al. 422/102
- D529,622 S * 10/2006 Hadjis et al. D24/229
- D533,948 S * 12/2006 Schaub et al. D24/229
- D556,338 S * 11/2007 Coulling et al. D24/230
- D556,339 S * 11/2007 Coulling et al. D24/230
- D562,463 S * 2/2008 Berndt et al. D24/226
- D574,505 S * 8/2008 Muller-Cohn et al. D24/216

* cited by examiner

Primary Examiner—T. Chase Nelson

Assistant Examiner—Mark Cavanna

(74) *Attorney, Agent, or Firm*—Haynes and Boone, LLP

(57) **CLAIM**

The ornamental design for a cartridge container for separating magnetic particles, as shown and described.

DESCRIPTION

FIG. 1 is a perspective view of the cartridge container for separating magnetic particles showing our new design;

FIG. 2 is another perspective view thereof;

FIG. 3 is a top plan view thereof;

FIG. 4 is a bottom plan view thereof;

FIG. 5 is a sectional view thereof taken along line 5—5 of FIG. 3;

FIG. 6 is a sectional view thereof taken along line 6—6 of FIG. 3;

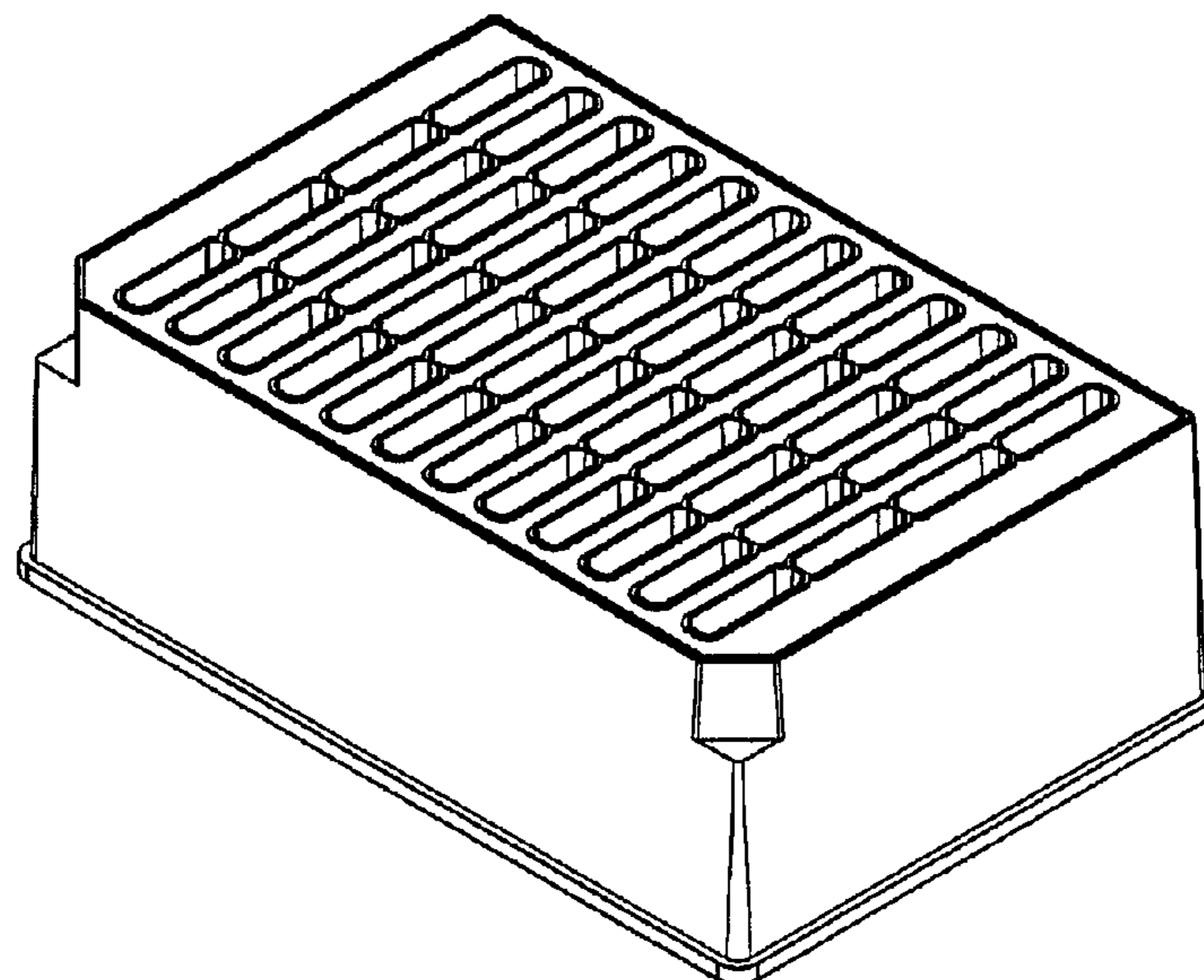
FIG. 7 is a front elevational view thereof;

FIG. 8 is a rear elevational view thereof;

FIG. 9 is a left side elevational view thereof; and,

FIG. 10 is a right side elevational view thereof.

1 Claim, 5 Drawing Sheets



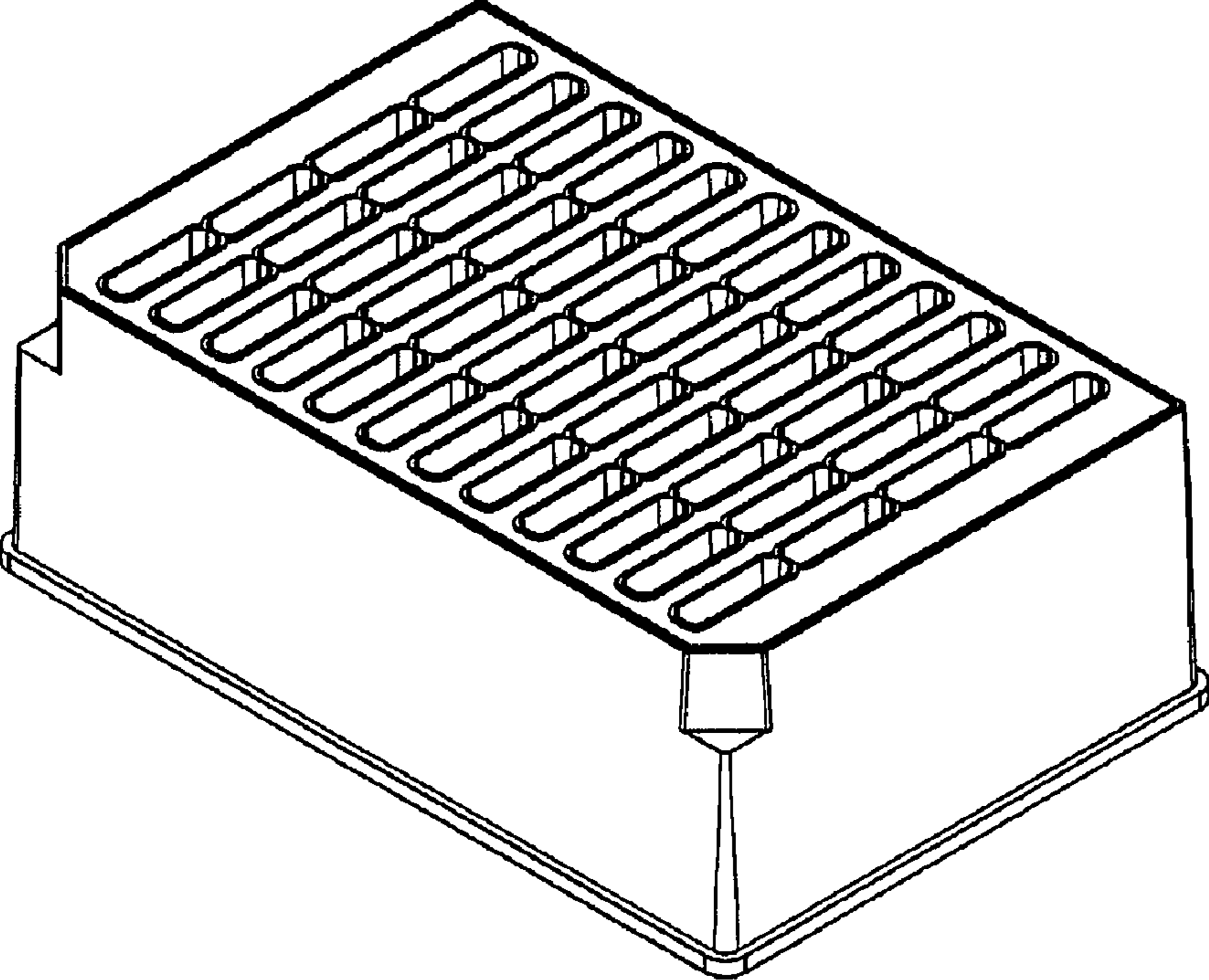


FIG. 1

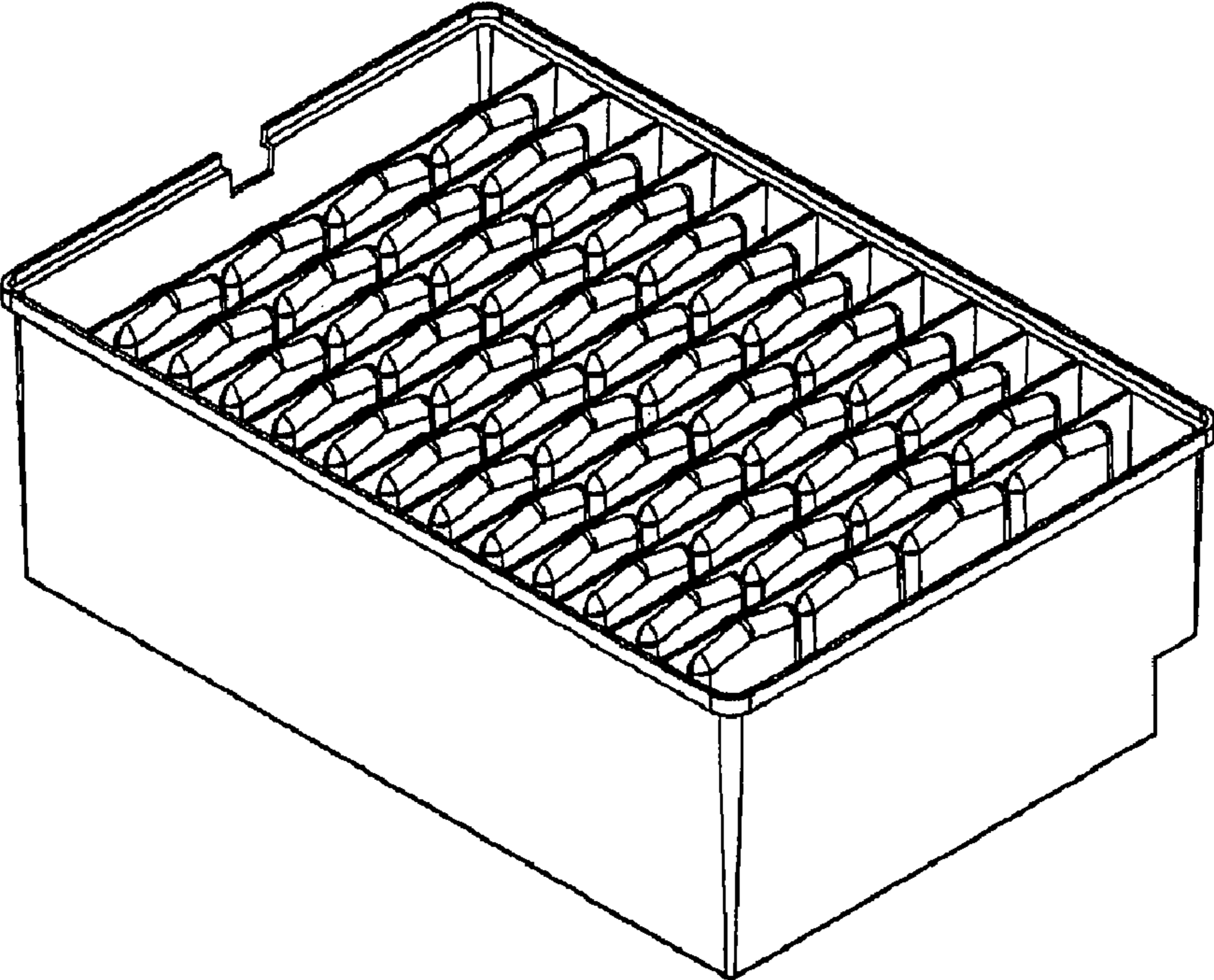


FIG. 2

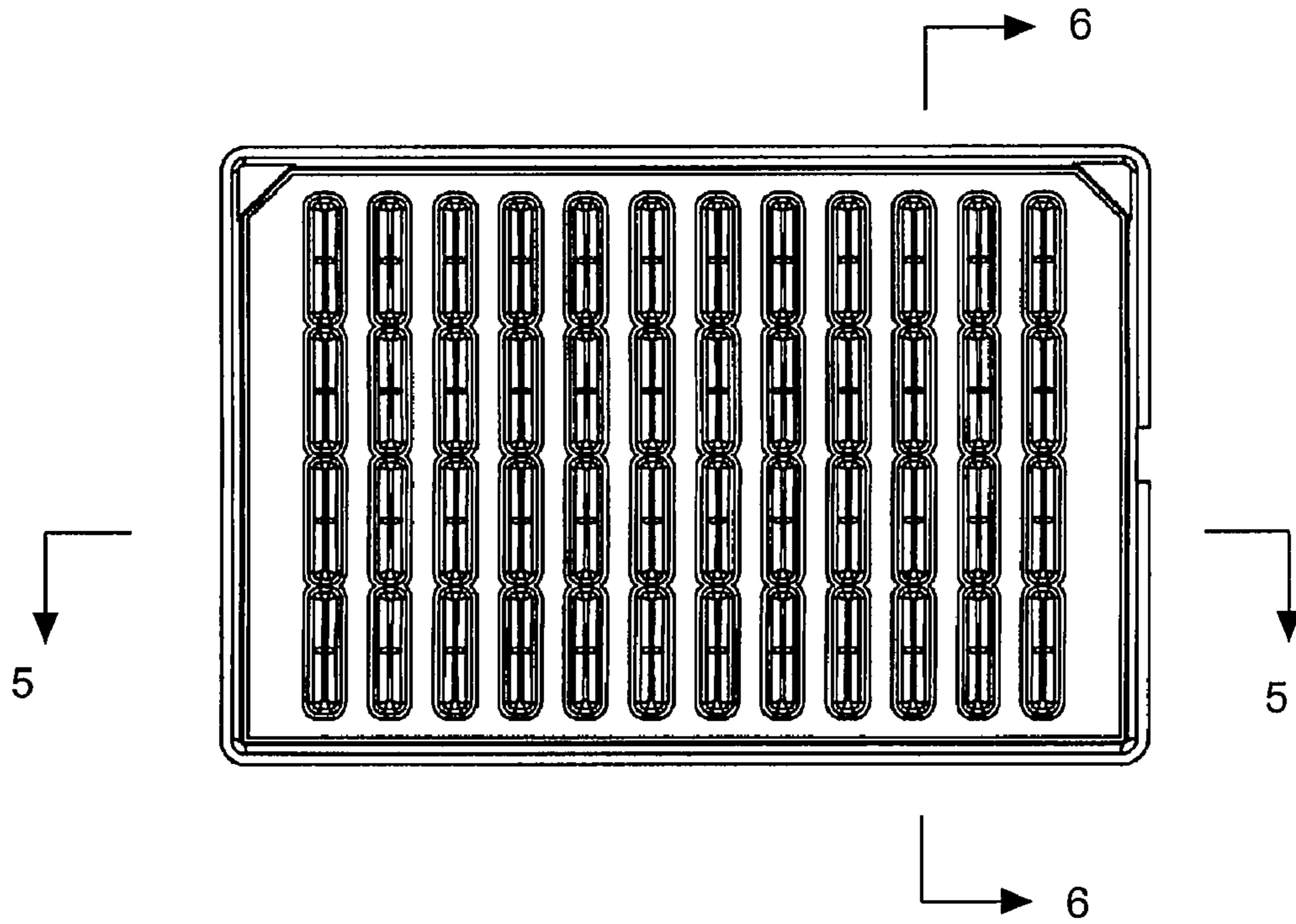


FIG. 3

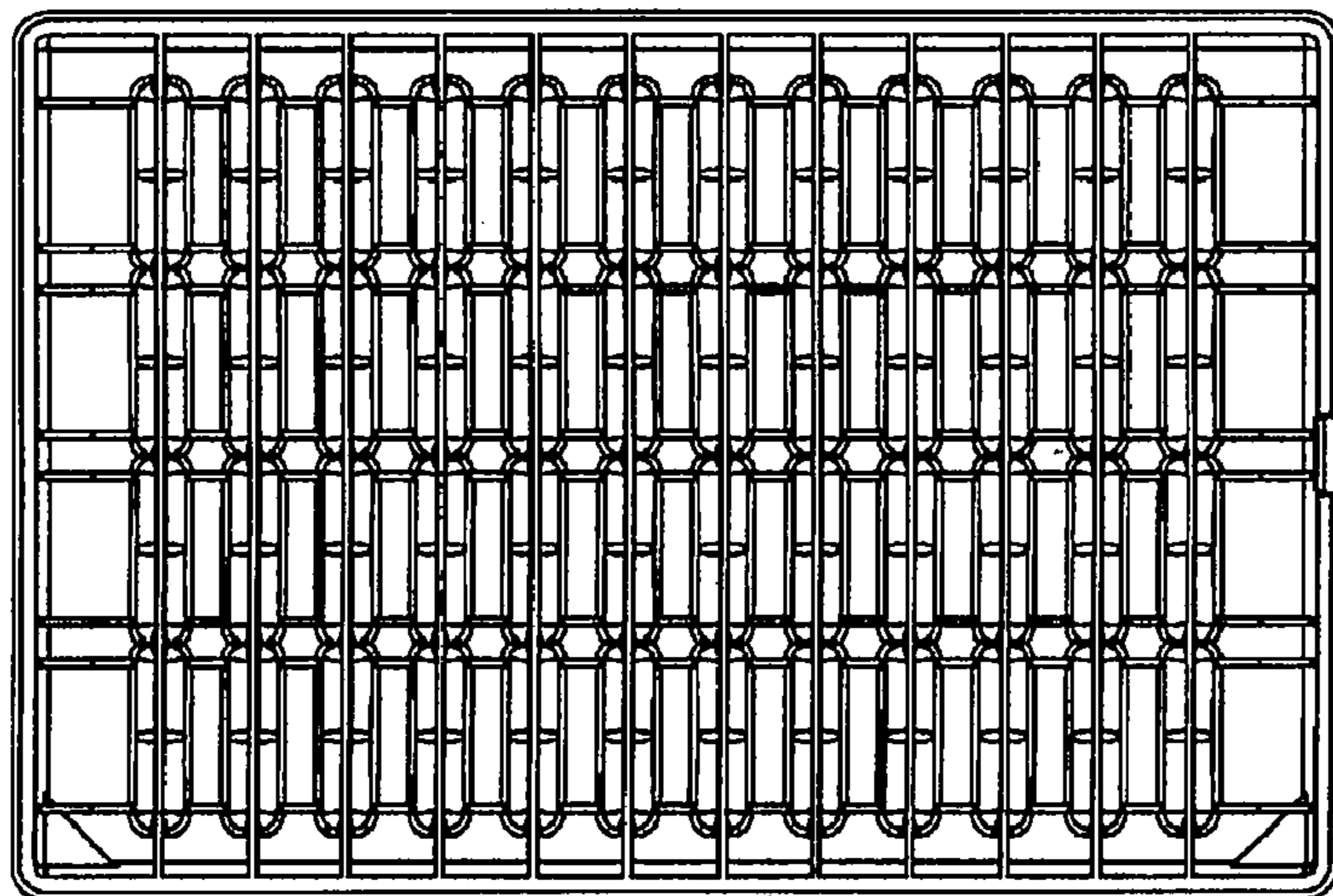


FIG. 4

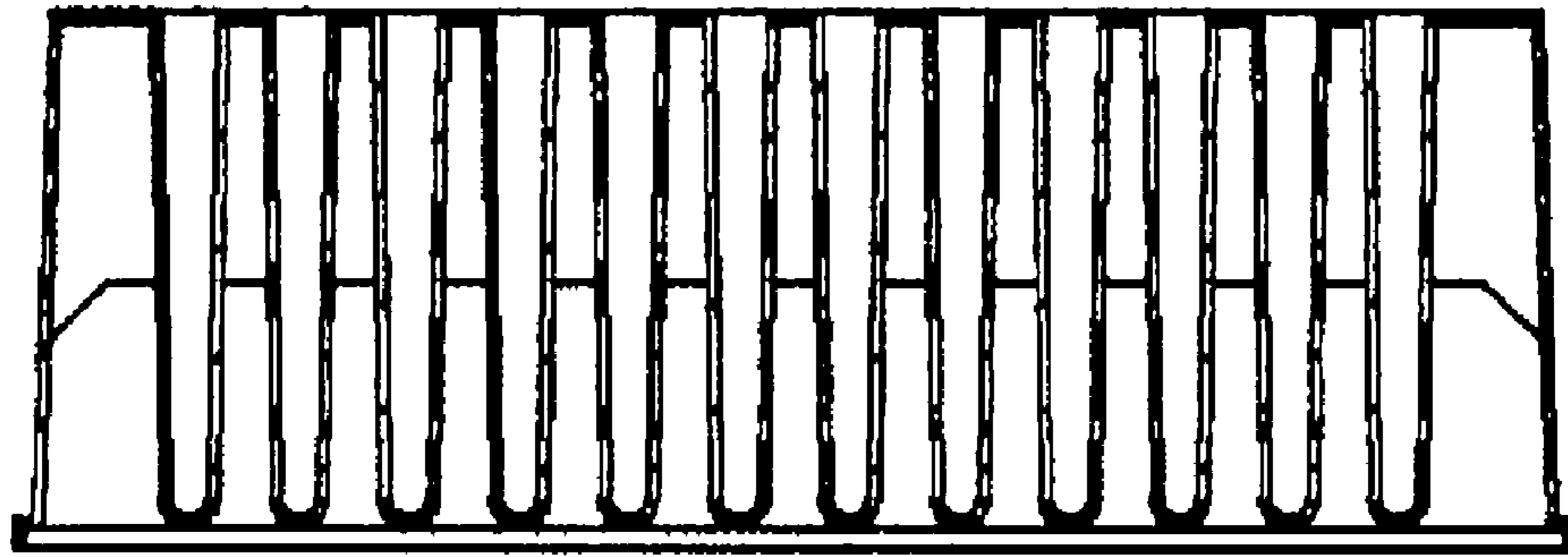


FIG. 5

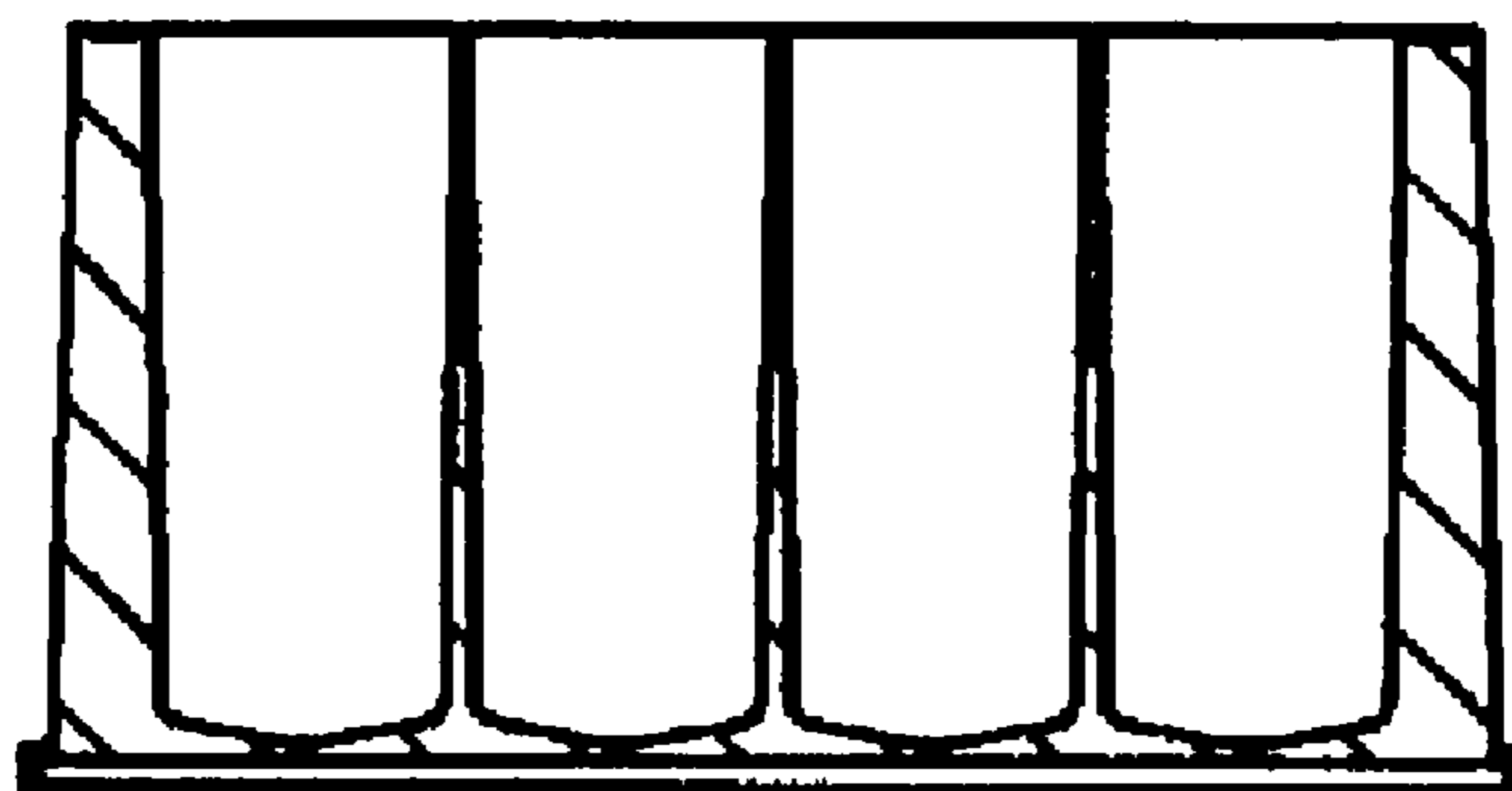


FIG. 6

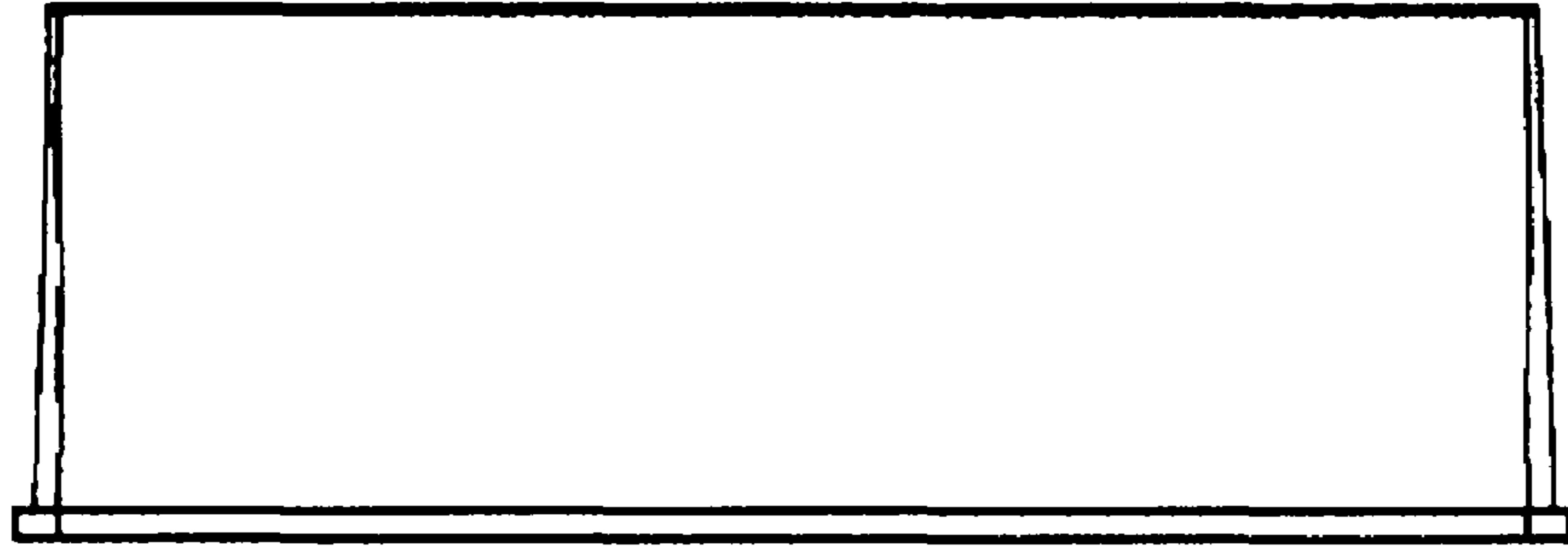


FIG. 7

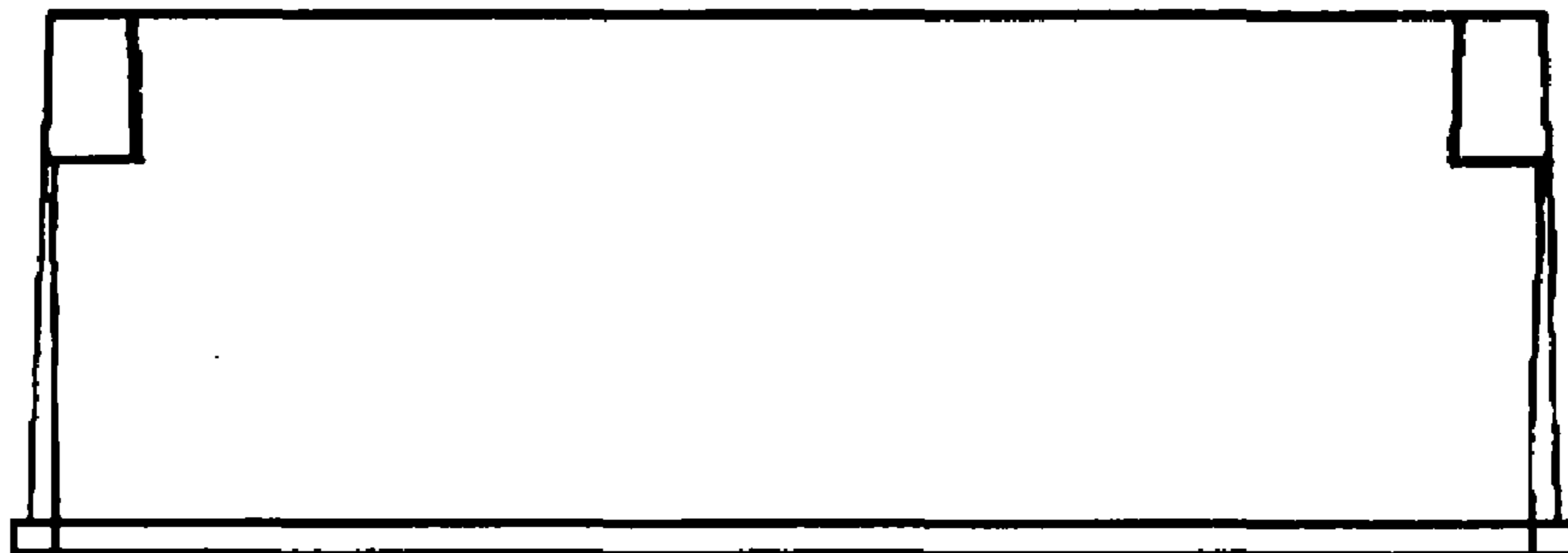


FIG. 8

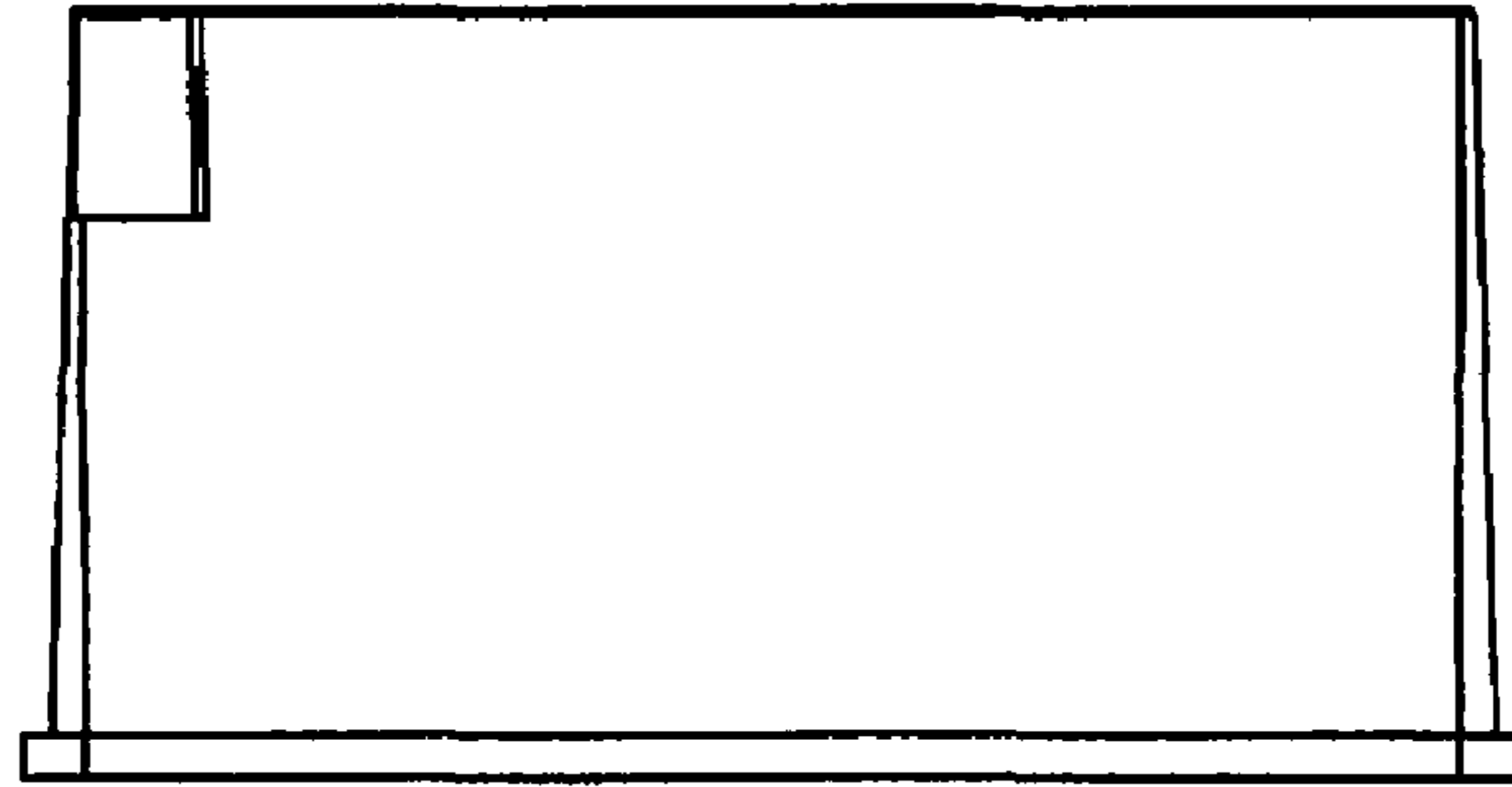


FIG. 9

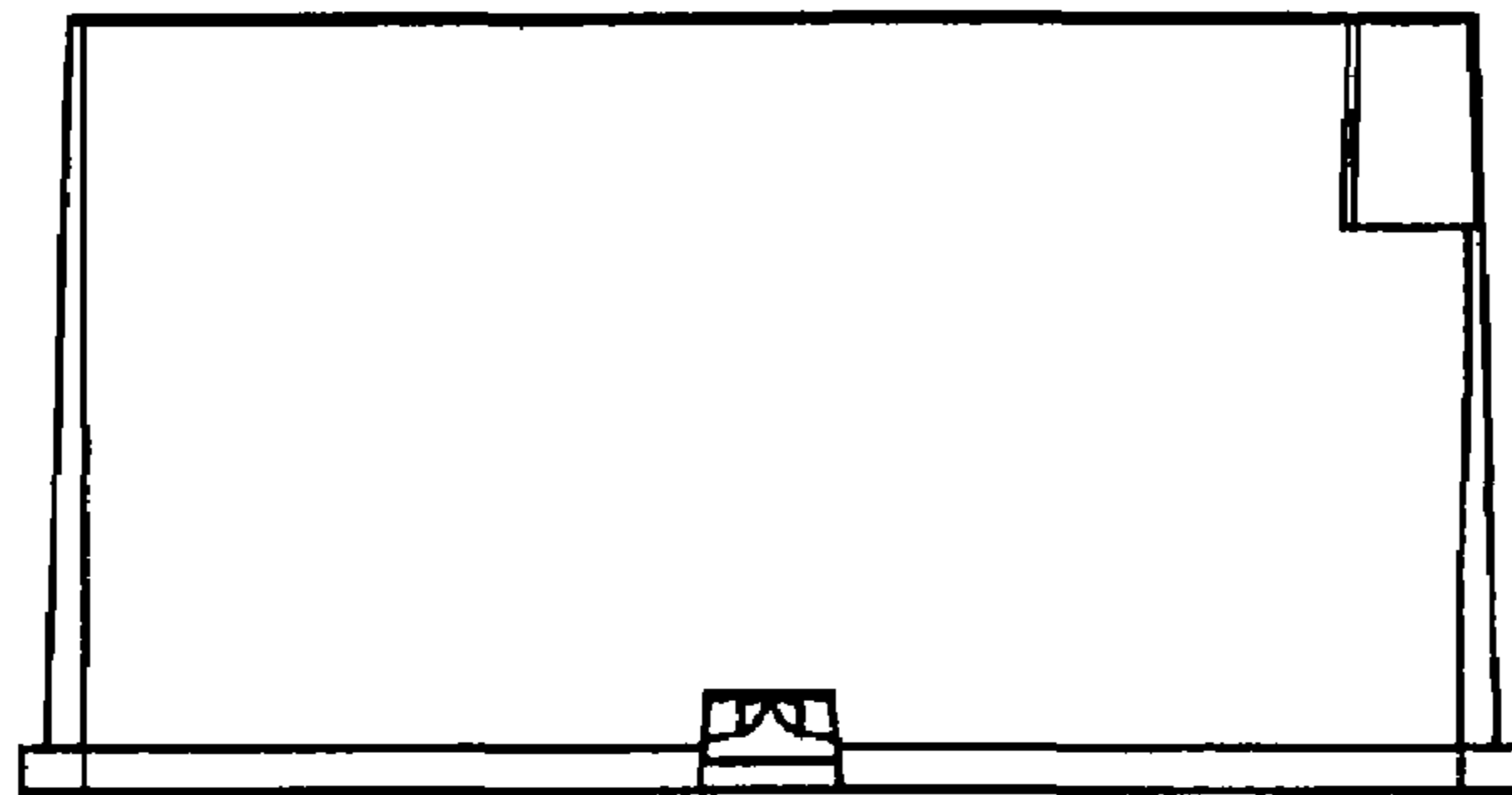


FIG. 10