



US00D631556S

(12) **United States Design Patent**  
**Shi et al.**

(10) **Patent No.:** **US D631,556 S**  
(45) **Date of Patent:** **\*\* Jan. 25, 2011**

(54) **DIAGNOSTIC DEVICE**

(75) Inventors: **Qinwei Shi**, Richmond Hill (CA);  
**Florian Eckhardt**, Berlin (DE)

(73) Assignee: **ZBX Corporation**, Toronto, Ontario  
(CA)

(\*\*) Term: **14 Years**

(21) Appl. No.: **29/363,468**

(22) Filed: **Jun. 9, 2010**

**Related U.S. Application Data**

(62) Division of application No. 29/315,379, filed on Jun. 19, 2009.

(51) **LOC (9) Cl.** ..... **24-01**

(52) **U.S. Cl.** ..... **D24/225**

(58) **Field of Classification Search** ..... D24/107-108,  
D24/128, 133, 216, 223, 224, 225, 220, 167,  
D24/169, 226; D10/81; 422/58, 68.1, 61,  
422/67, 56, 55, 87, 101, 102, 104; 435/4,  
435/7.1, 287.1, 287.2, 287.8, 287.9; 436/811,  
436/812, 814, 815, 518

See application file for complete search history.

(56) **References Cited**

**U.S. PATENT DOCUMENTS**

5,091,642 A 2/1992 Chow et al.  
5,128,104 A 7/1992 Murphy et al.  
5,384,264 A 1/1995 Chen et al.  
5,728,352 A 3/1998 Poto et al.  
5,728,587 A 3/1998 Kang et al.

5,821,073 A 10/1998 Lee  
5,908,786 A 6/1999 Moreno et al.  
6,338,969 B1 \* 1/2002 Shareef et al. .... 436/518  
D456,082 S 4/2002 Bouse et al.  
6,436,714 B1 8/2002 Clawson et al.  
7,439,079 B2 10/2008 Song et al.  
7,476,533 B2 1/2009 Meathrel et al.  
7,776,618 B2 \* 8/2010 Nazareth et al. .... 436/518  
2010/0137145 A1 \* 6/2010 Qinwei ..... 506/7

\* cited by examiner

*Primary Examiner*—Stella M Reid

*Assistant Examiner*—Wan Laymon

(74) *Attorney, Agent, or Firm*—Knobbe Martens Olson & Bear LLP

(57) **CLAIM**

The ornamental design for a diagnostic device, as shown and described.

**DESCRIPTION**

FIG. 1 is a top perspective view of a transparent diagnostic device.

FIG. 2 is a top plan view of the design of FIG. 1.

FIG. 3 is bottom plan view of the design of FIG. 1.

FIG. 4 is a right side elevational view of the design of FIG. 1.

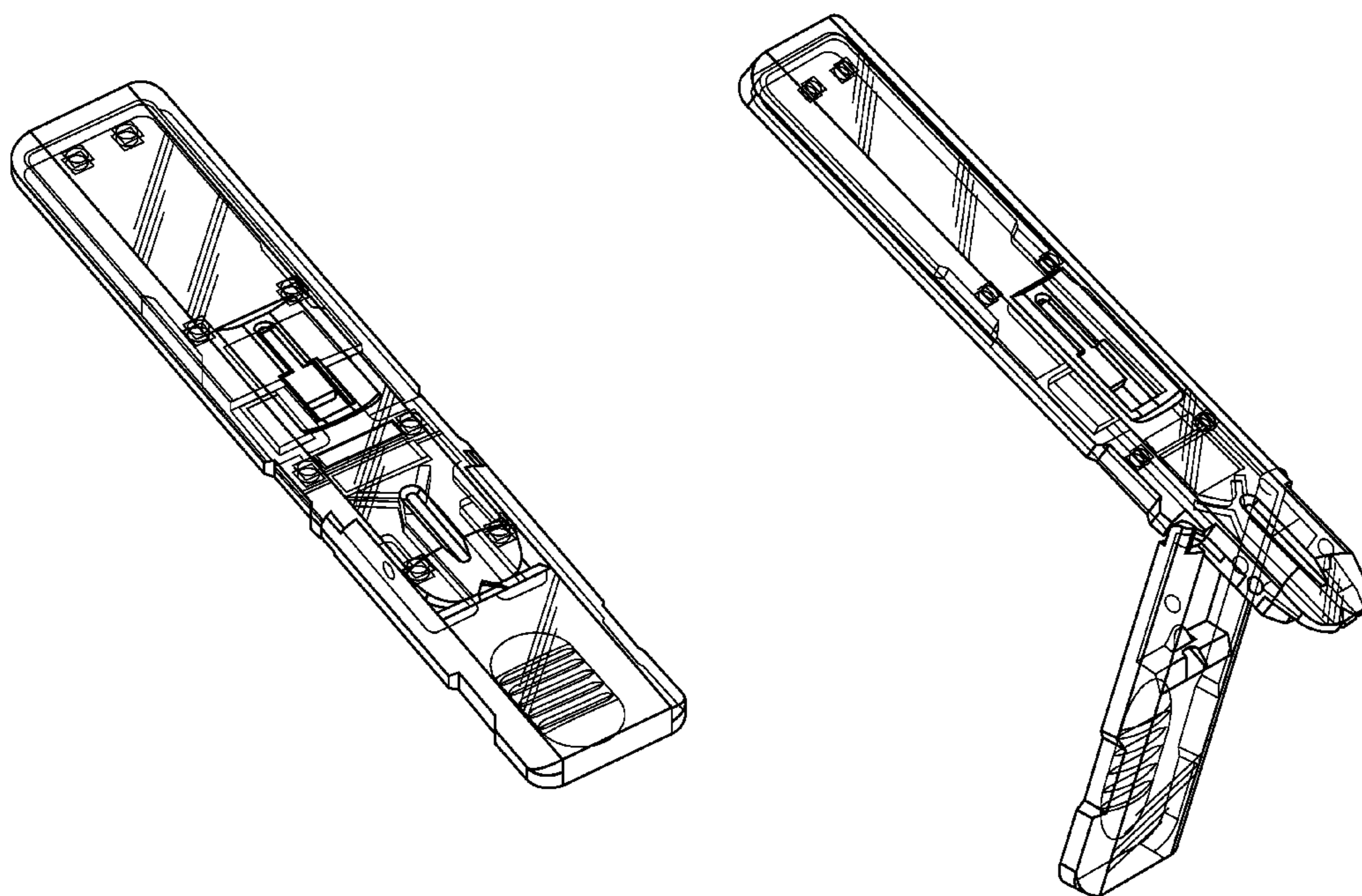
FIG. 5 is a left side elevational view of the design of FIG. 1.

FIG. 6 is a front elevational view of the design of FIG. 1.

FIG. 7 is a rear elevational view of the design of FIG. 1; and,

FIG. 8 is a perspective view of the design of FIG. 1, showing the diagnostic device in an opened position.

**1 Claim, 5 Drawing Sheets**



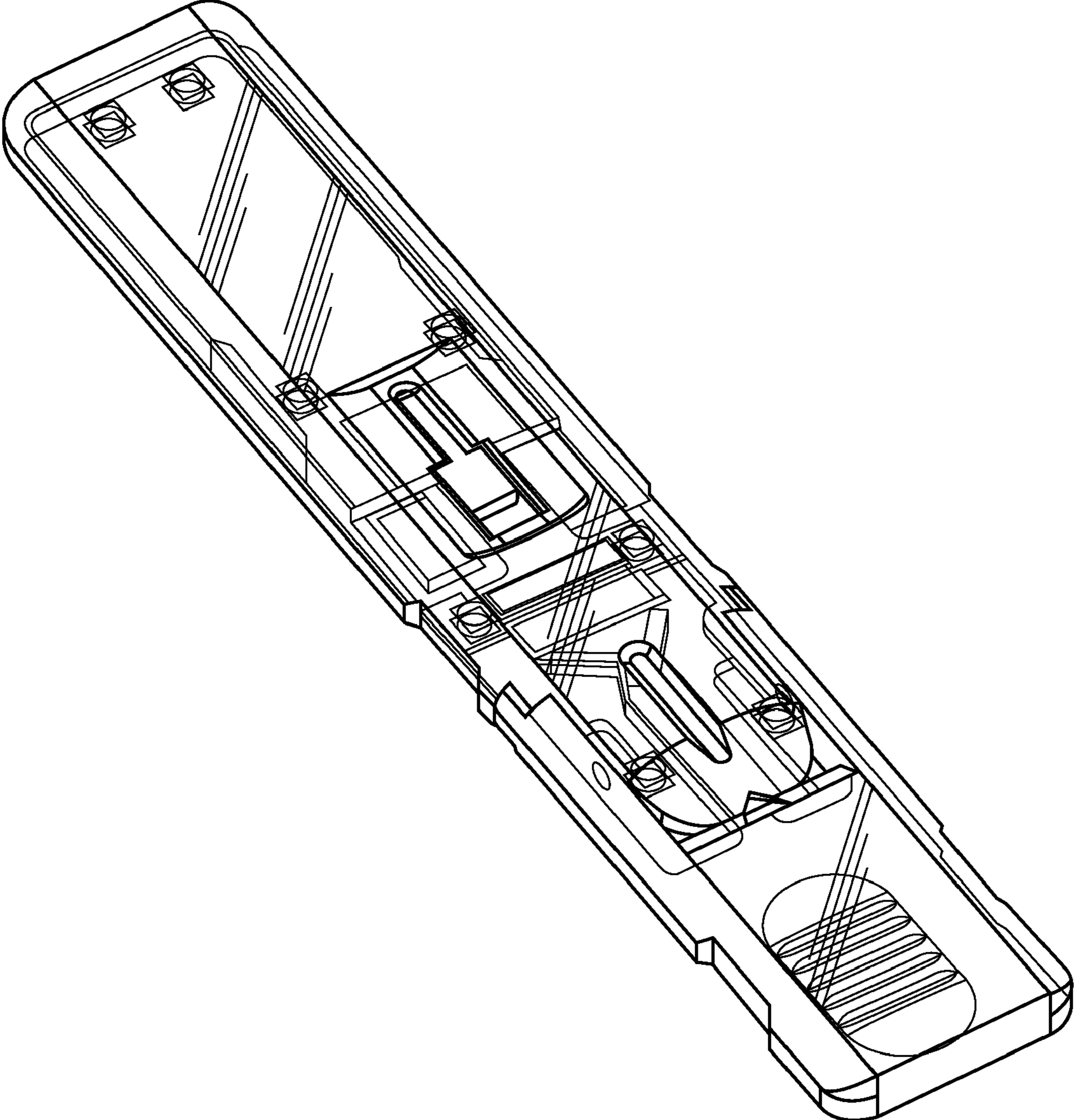


Fig. 1

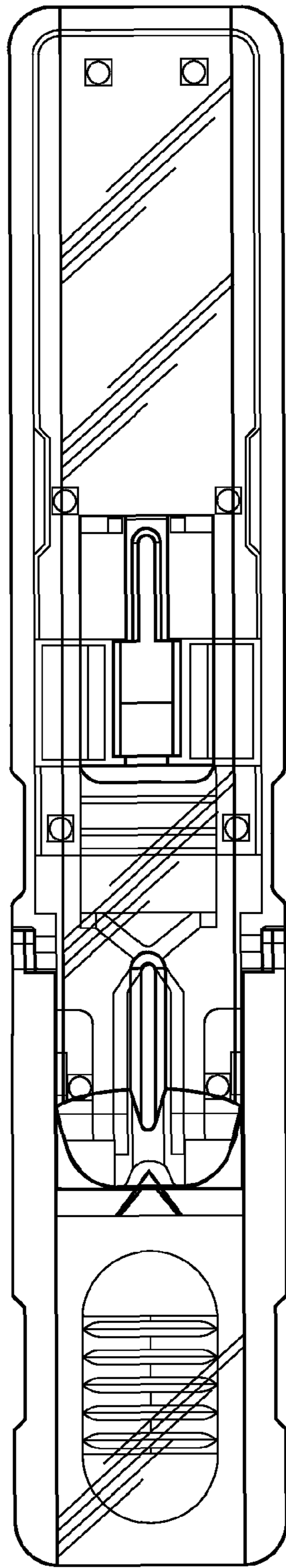


Fig. 2

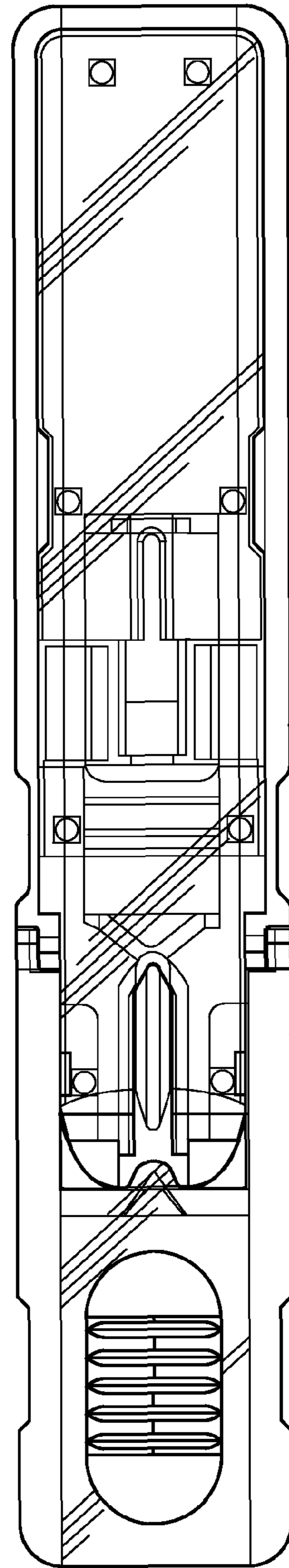


Fig. 3

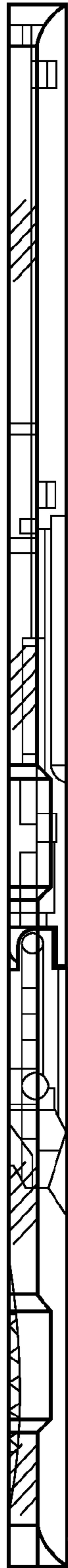


Fig. 4

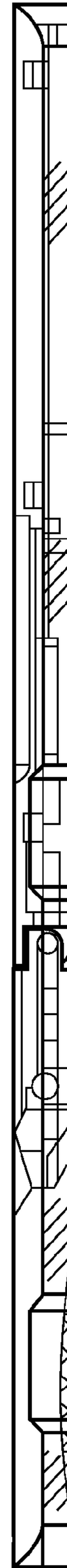


Fig. 5



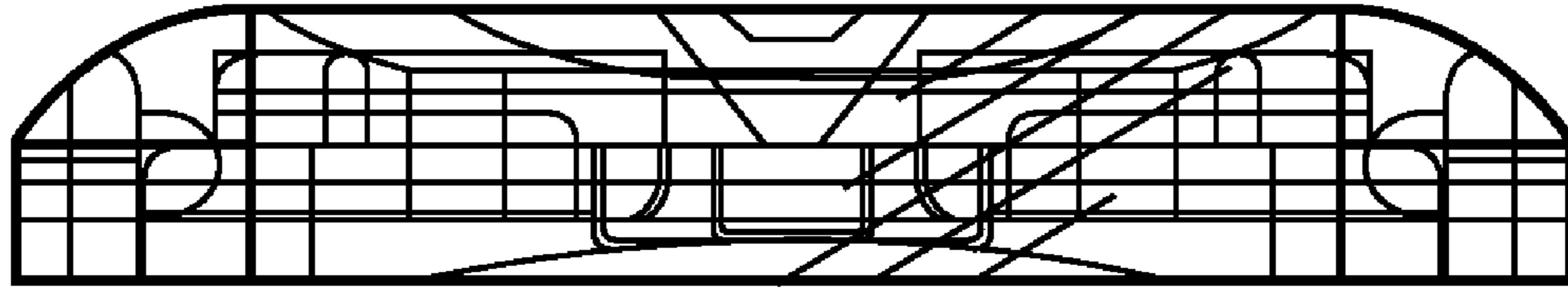


Fig. 6

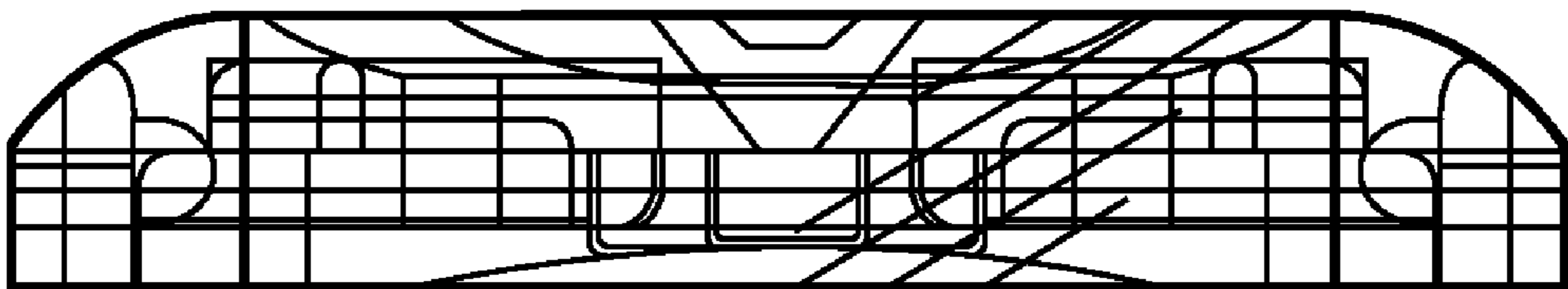


Fig. 7

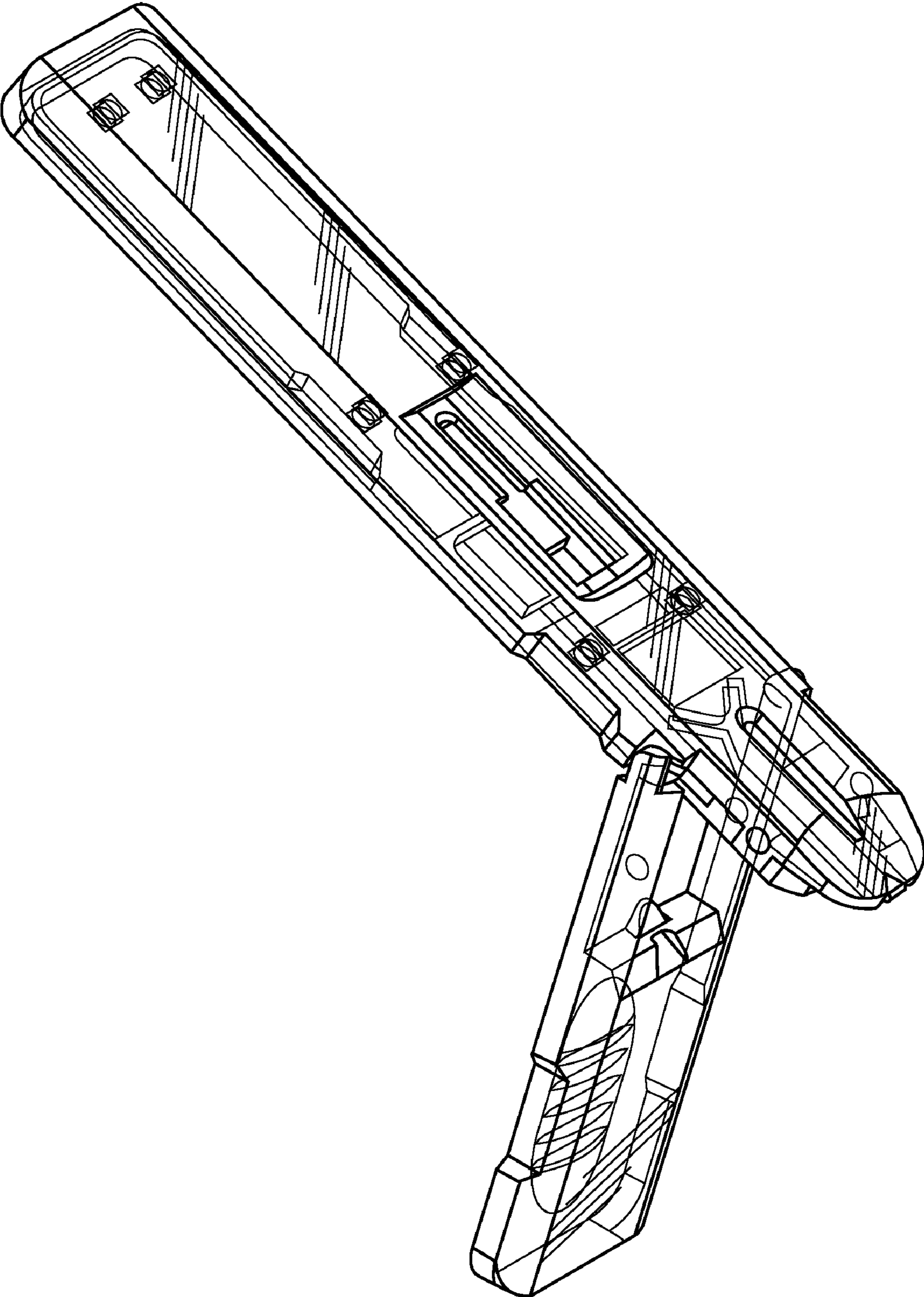


Fig. 8