



US00D631554S

(12) **United States Design Patent**
Jackson et al.

(10) **Patent No.:** **US D631,554 S**
(45) **Date of Patent:** **** Jan. 25, 2011**

(54) **SAMPLE COLLECTOR**

CA 2632614 6/2007

(75) Inventors: **Adele Jackson**, Stittsville (CA); **Rod Muir**, South Mountain (CA); **Roy Sunstrum**, Richmond (CA); **Romeo Graham**, Chelsea (CA); **Ian Curry**, Kanata (CA); **Mike Sirois**, Ottawa (CA)

(73) Assignee: **DNA Genotek Inc.**, Kanata (CA)

(**) Term: **14 Years**

(21) Appl. No.: **29/313,955**

(22) Filed: **Feb. 20, 2009**

(30) **Foreign Application Priority Data**

Aug. 21, 2008 (CA) 127470

(51) **LOC (9) Cl.** **24-01**

(52) **U.S. Cl.** **D24/224**

(58) **Field of Classification Search** D24/216,
D24/222–226, 231, 232, 169; D10/81; 422/100
See application file for complete search history.

(56) **References Cited**

U.S. PATENT DOCUMENTS

D287,570	S *	1/1987	Olsen	D24/224
D318,727	S *	7/1991	Spike	D24/224
D325,444	S *	4/1992	Murashita et al.	D24/224
D355,606	S *	2/1995	Manera	D24/224
D357,985	S *	5/1995	Burns	D24/224
D362,184	S *	9/1995	Carr	D24/224
5,567,309	A	10/1996	Classon et al.		
D385,793	S *	11/1997	Marsal	D24/224
D424,440	S *	5/2000	Wilkinson et al.	D24/224
D425,625	S *	5/2000	Niermann	D24/224
D445,908	S *	7/2001	Conway	D24/224
D447,812	S *	9/2001	Conway	D24/224
D599,032	S *	8/2009	Bucholtz et al.	D24/224

FOREIGN PATENT DOCUMENTS

CA 2488769 12/2003

OTHER PUBLICATIONS

European Community Design Application No. 001095186-0001, dated Feb. 20, 2009.

European Community Design Application No. 001095186-0002, dated Feb. 20, 2009.

European Community Design Application No. 001095186-0003, dated Feb. 20, 2009.

International Search Report for Application No. PCT/CA2009/001153, dated Nov. 27, 2009.

Canadian Industrial Design Certificate of Registration, Registration No. 127470, dated Jun. 21, 2010.

Canadian Industrial Design Certificate of Registration, Registration No. 132896, dated Jun. 21, 2010.

Canadian Industrial Design Certificate of Registration, Registration No. 132897, dated Jun. 21, 2010.

* cited by examiner

Primary Examiner—T. Chase Nelson

Assistant Examiner—Anhdao Doan

(74) *Attorney, Agent, or Firm*—Nelson Mullins Riley & Scarborough LLP; James H. Velema, Esq.; Erika L. Lawson

(57) **CLAIM**

The ornamental design for a sample collector, as shown and described.

DESCRIPTION

FIG. 1 is a top plan view of a sample collector illustrating the first variant of the present design, with the lid shown in the open position;

FIG. 2 is a bottom plan view of the present design as shown in FIG. 1;

FIG. 3 is a front view of the present design as shown in FIG. 1;

FIG. 4 is a rear view of the present design as shown in FIG. 1;

FIG. 5 is a left side view of the present design as shown in FIG. 1;

FIG. 6 is a right side view of the present design as shown in FIG. 1;

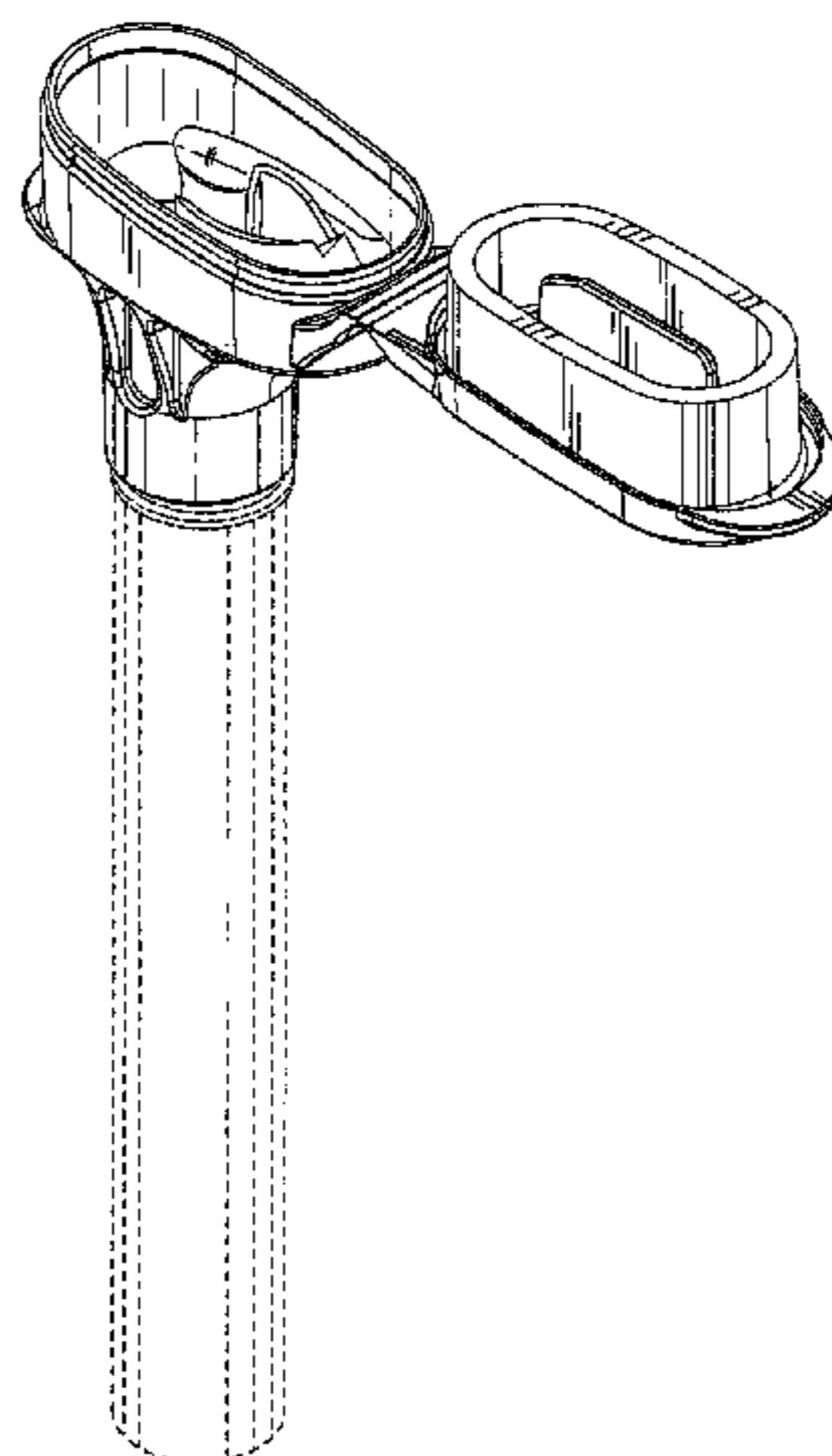


FIG. 7 is a top, rear, right side perspective view of the present design as shown in FIG. 1;

FIG. 8 is a top, front, left side perspective view of the present design of FIG. 1, with the lid shown in the closed position;

FIG. 9 is a cross-sectional view of the sample collector taken along the line 9—9 in FIG. 4;

FIG. 10 is a top left perspective view of the present design as shown in FIG. 1;

FIG. 11 is a top right perspective view of the present design as shown in FIG. 1;

FIG. 12 is a top, rear, right side perspective view of the present design as shown in FIG. 1, with the environment shown in broken lines for illustrative purposes only and thus not forming part of the design;

FIG. 13 is a top plan view of the sample collector illustrating the fourth variant of the present design with the lid shown in the open position;

FIG. 14 is a bottom plan view of the present design as shown in FIG. 13;

FIG. 15 is a front view of the present design as shown in FIG. 13;

FIG. 16 is a rear view of the present design as shown in FIG. 13;

FIG. 17 is a left side view of the present design as shown in FIG. 13;

FIG. 18 is a right side view of the present design as shown in FIG. 13;

FIG. 19 is a top, rear, right side perspective view of the present design as shown in FIG. 13;

FIG. 20 is a top, front, left side perspective view of the present design of FIG. 13, with the lid shown in the closed position;

FIG. 21 is a cross-sectional view of the sample collector taken along the line 21—21 in FIG. 16;

FIG. 22 is a top left perspective view of the present design as shown in FIG. 13;

FIG. 23 is a top right perspective view of the present design as shown in FIG. 13;

FIG. 24 is a top, rear, right side perspective view of the present design as shown in FIG. 13, with the environment shown in broken lines for illustrative purposes only and thus not forming part of the design;

FIG. 25 is a top plan view of the sample collector illustrating the seventh variant of the present design with the lid shown in the open position;

FIG. 26 is a bottom plan view of the present design as shown in FIG. 25;

FIG. 27 is a front view of the present design as shown in FIG. 25;

FIG. 28 is a rear view of the present design as shown in FIG. 25;

FIG. 29 is a left side view of the present design as shown in FIG. 25;

FIG. 30 is a right side view of the present design as shown in FIG. 25;

FIG. 31 is a top, rear, right side perspective view of the present design as shown in FIG. 25;

FIG. 32 is a top, front, left side perspective view of the present design of FIG. 25, with the lid shown in the closed position;

FIG. 33 is a cross-sectional view of the sample collector taken along the line 33—33 in FIG. 28;

FIG. 34 is a top left perspective view of the present design as shown in FIG. 25;

FIG. 35 is a top right perspective view of the present design as shown in FIG. 25; and,

FIG. 36 is a top, rear, right side perspective view of the present design as shown in FIG. 25, with the environment shown on broken lines for illustrative purposes only and thus not forming part of the design.

The portions of the sample collector shown in stippled lines do not form part of the claimed design.

1 Claim, 21 Drawing Sheets

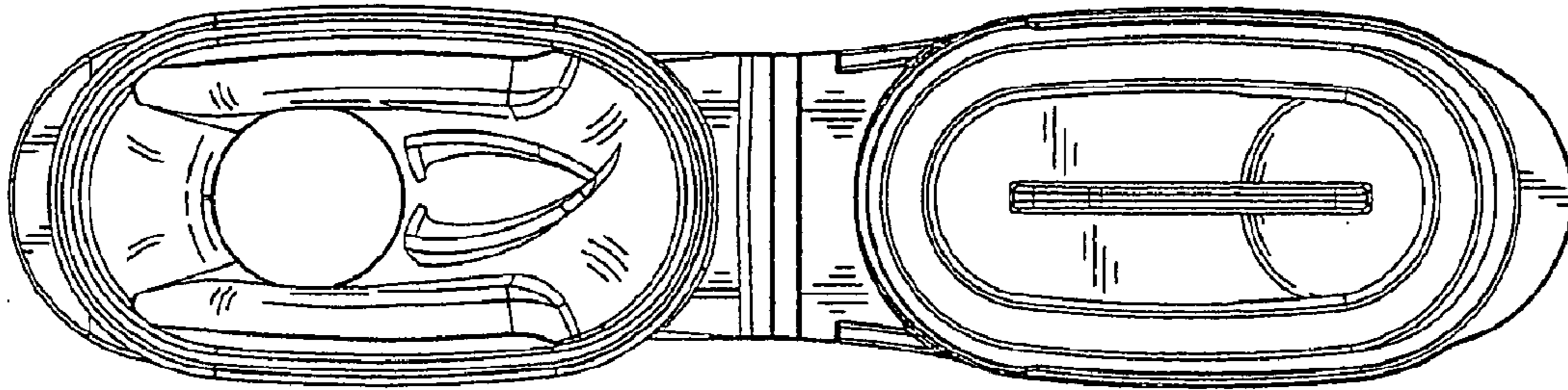


Fig. 1

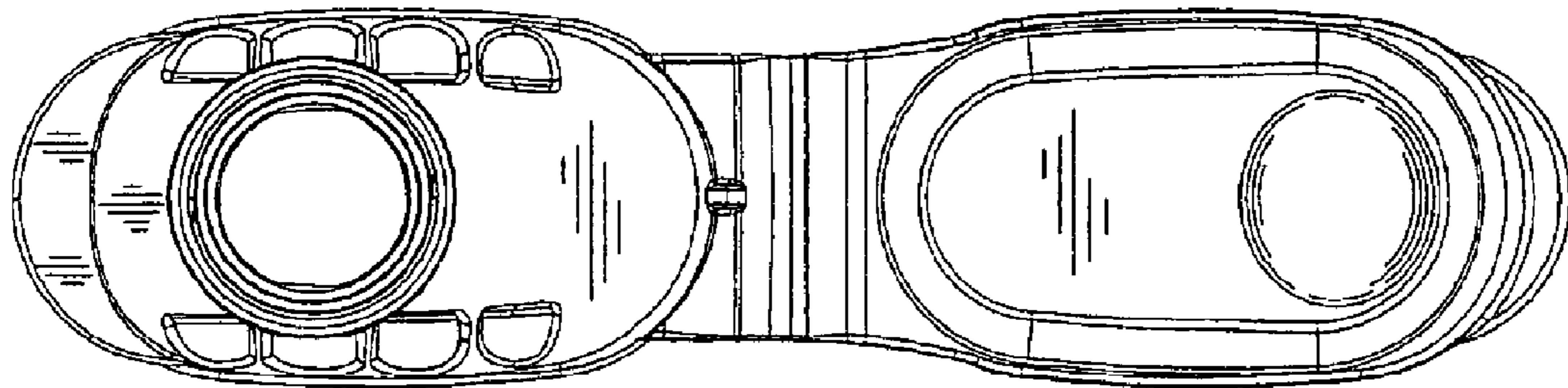


Fig. 2

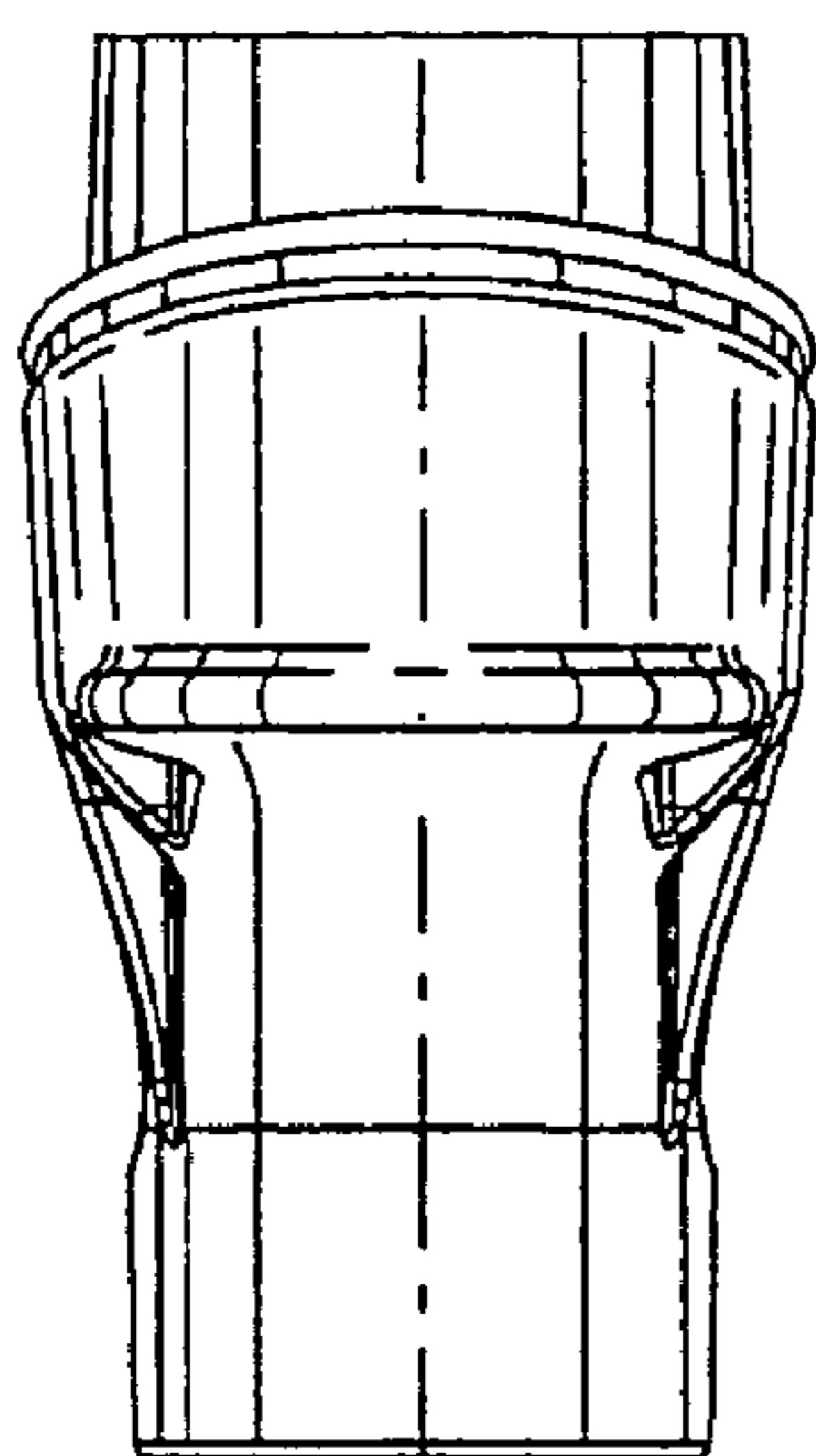


Fig. 3

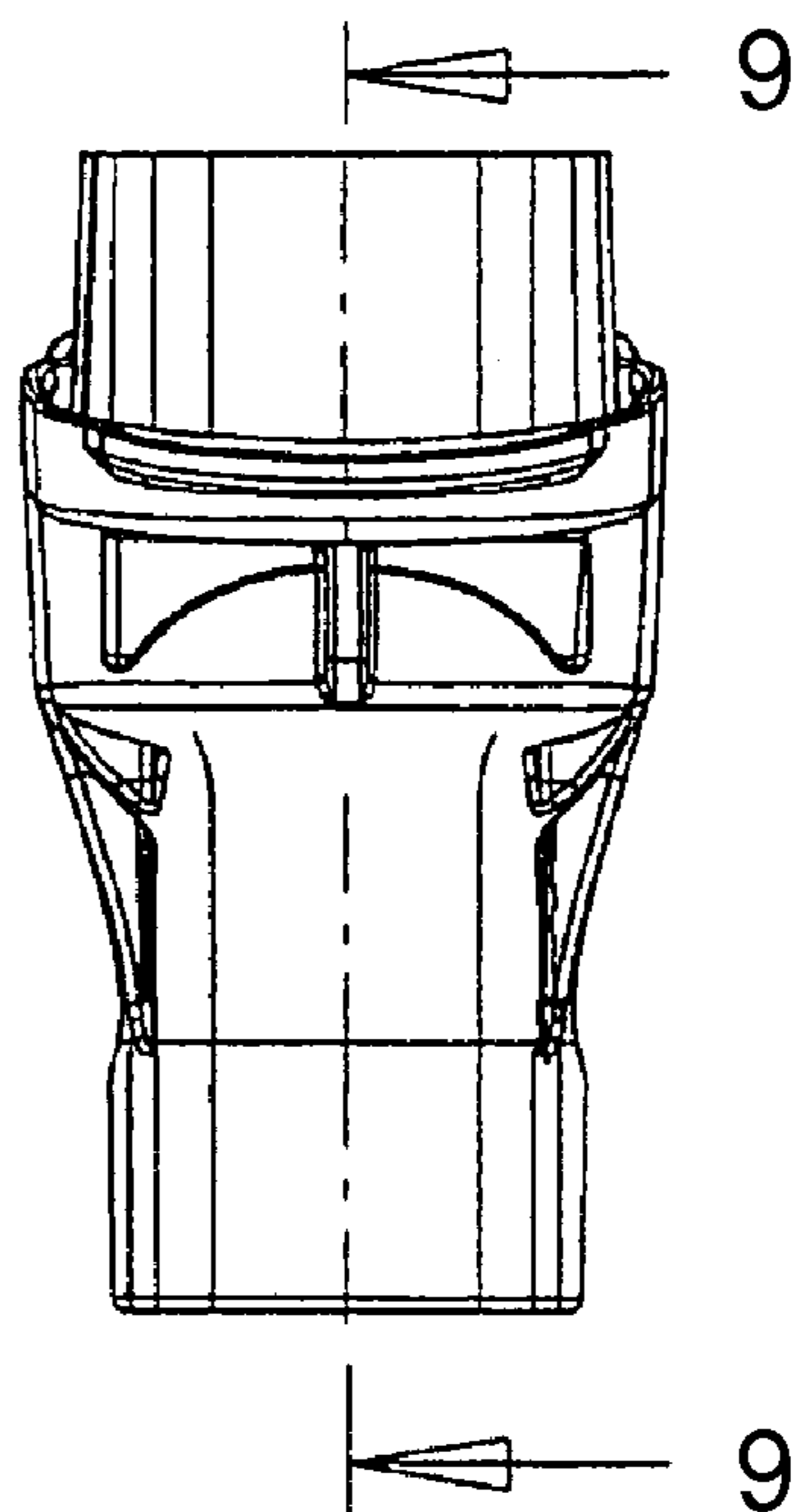


Fig. 4

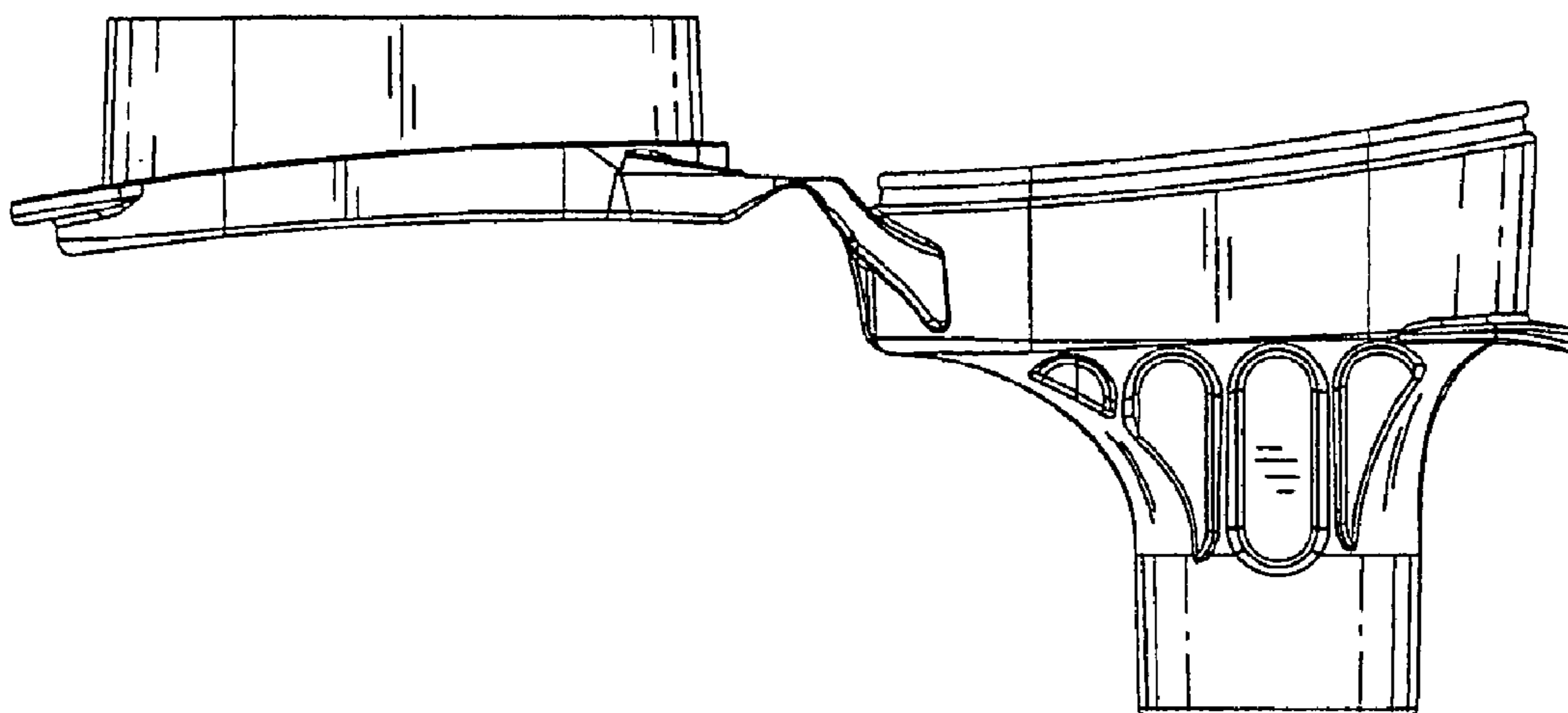


Fig. 5

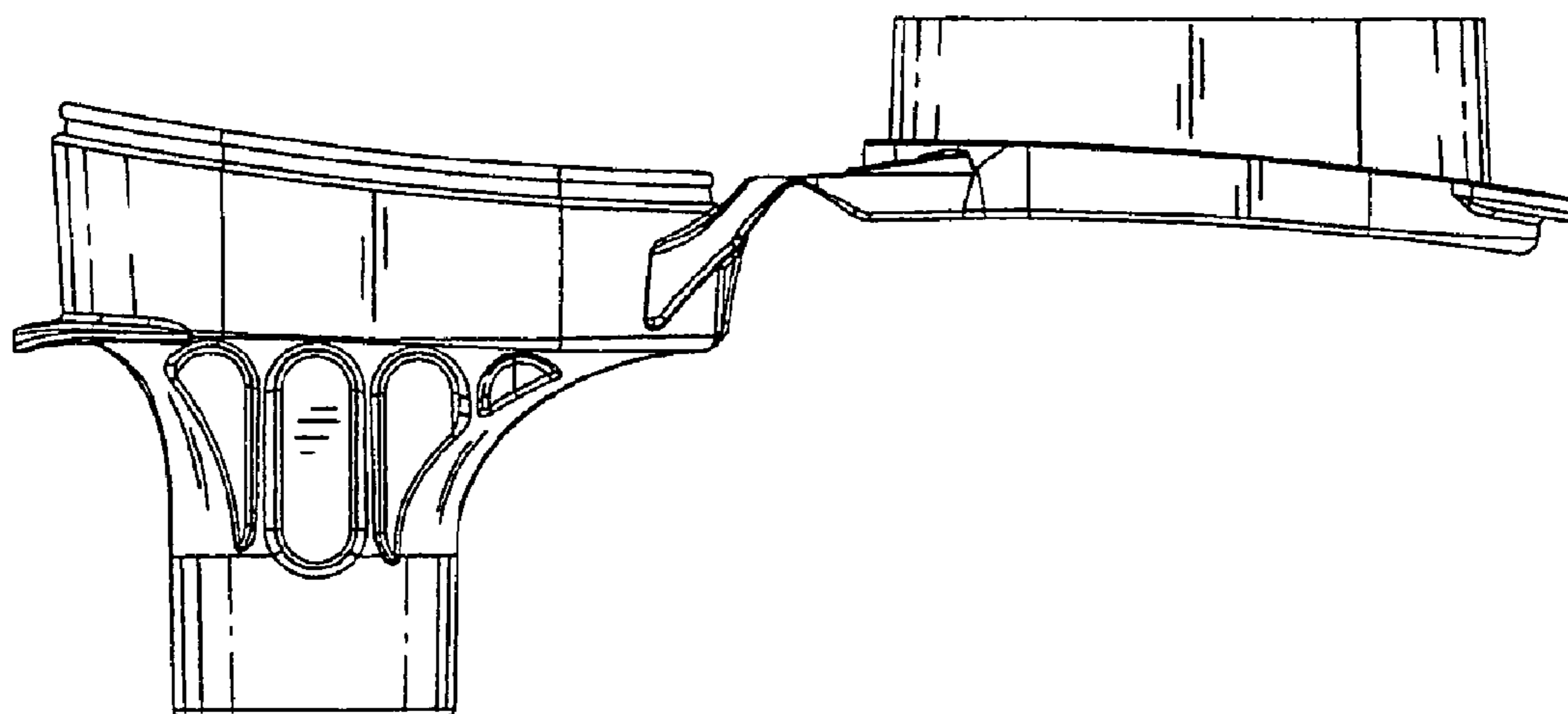


Fig. 6

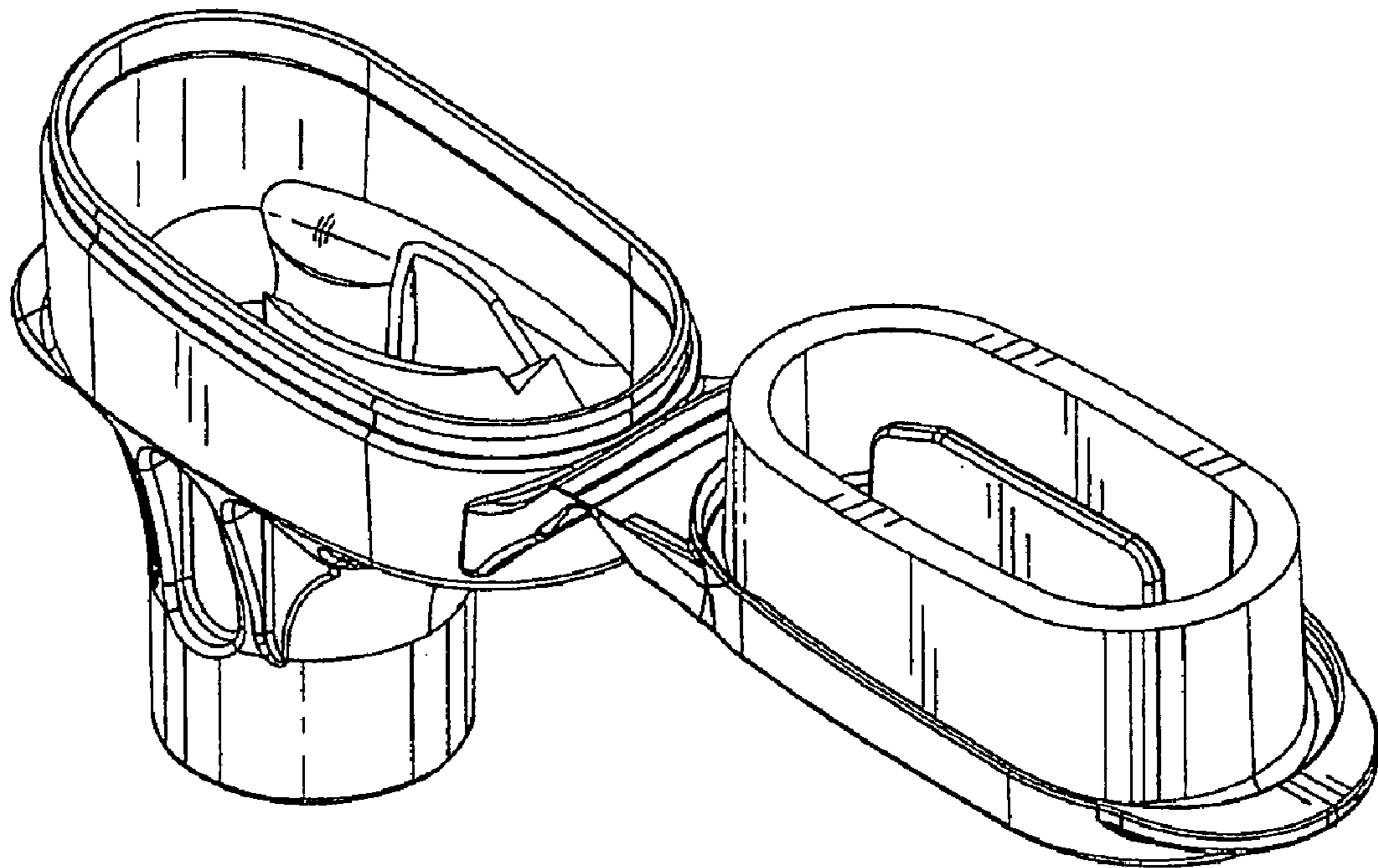


Fig. 7

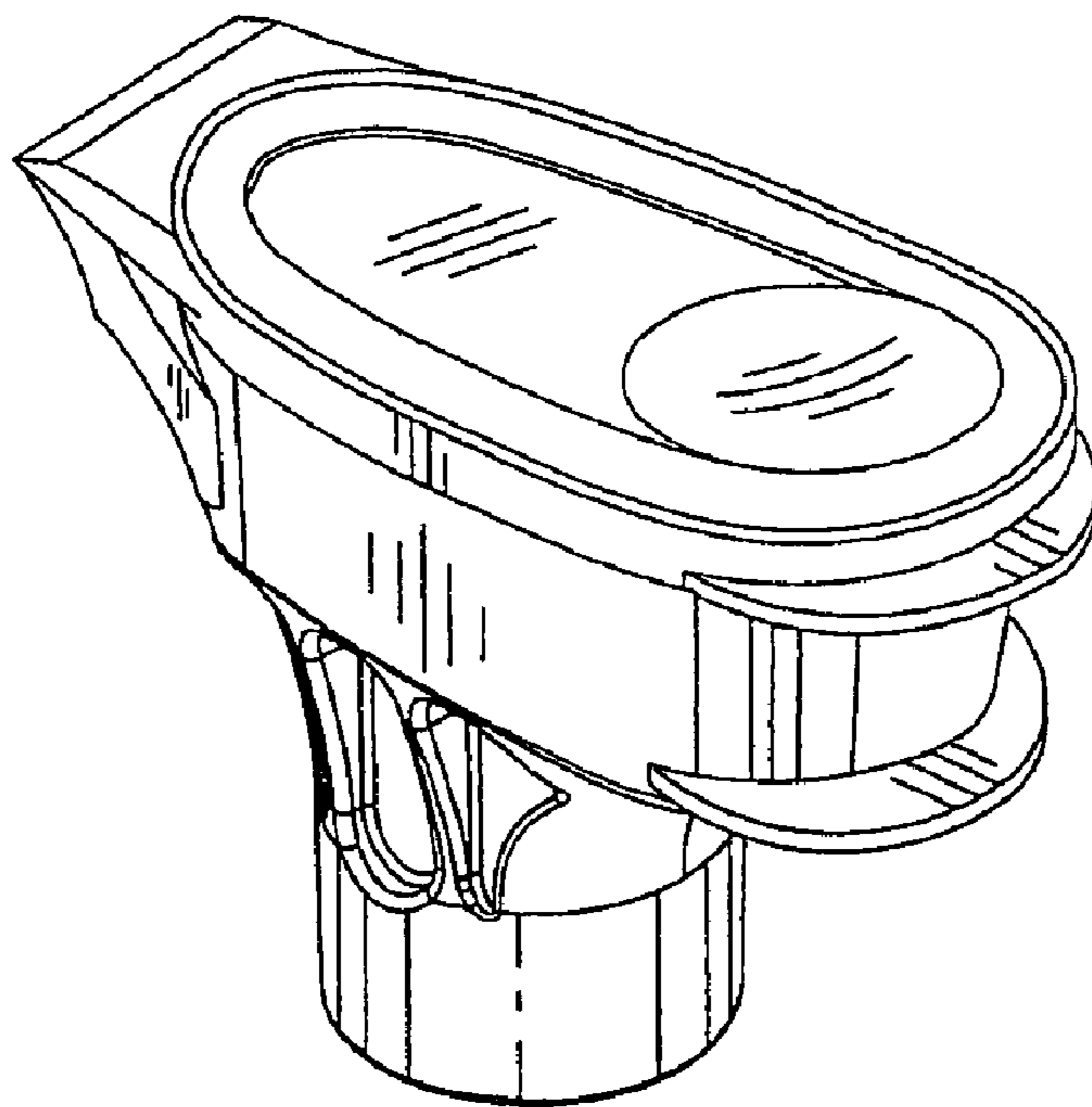


Fig. 8

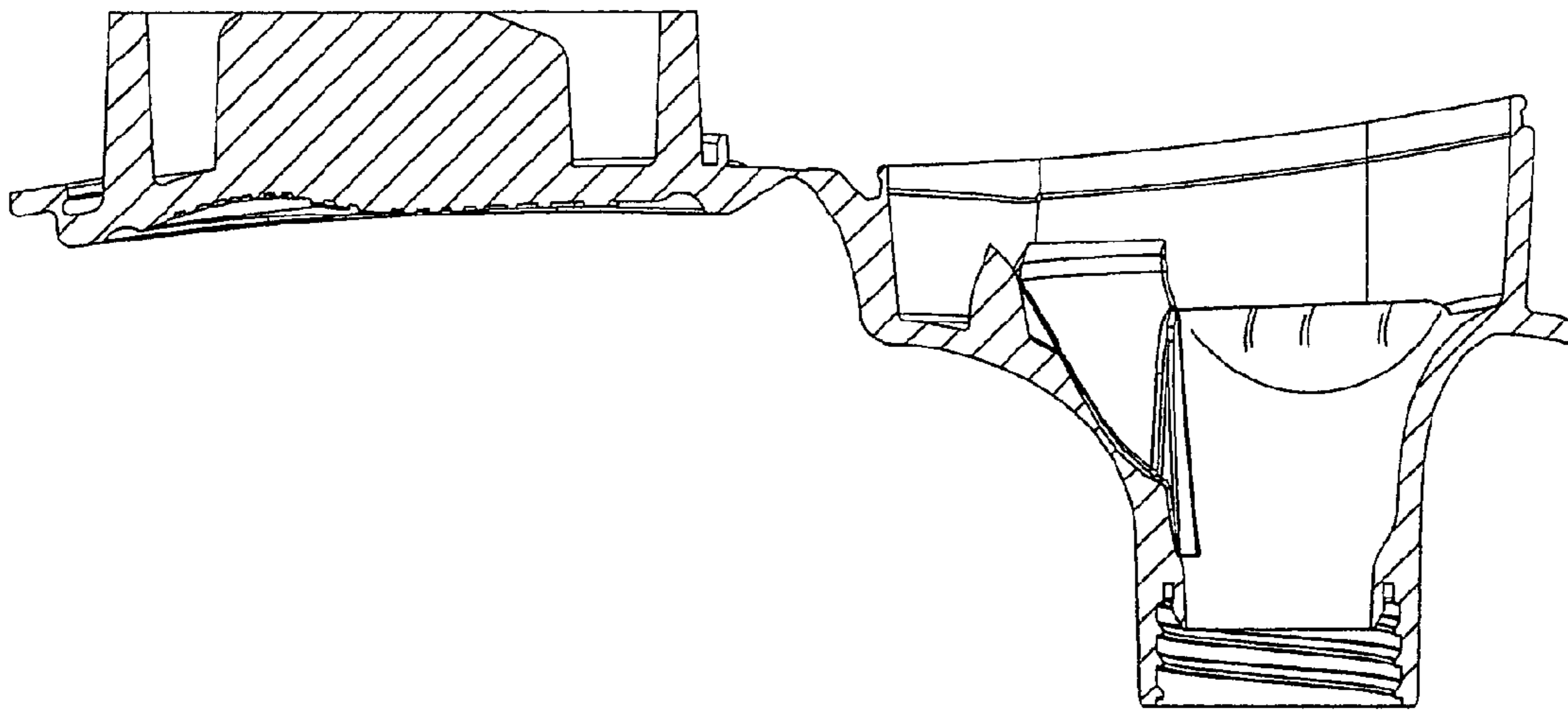


Fig. 9

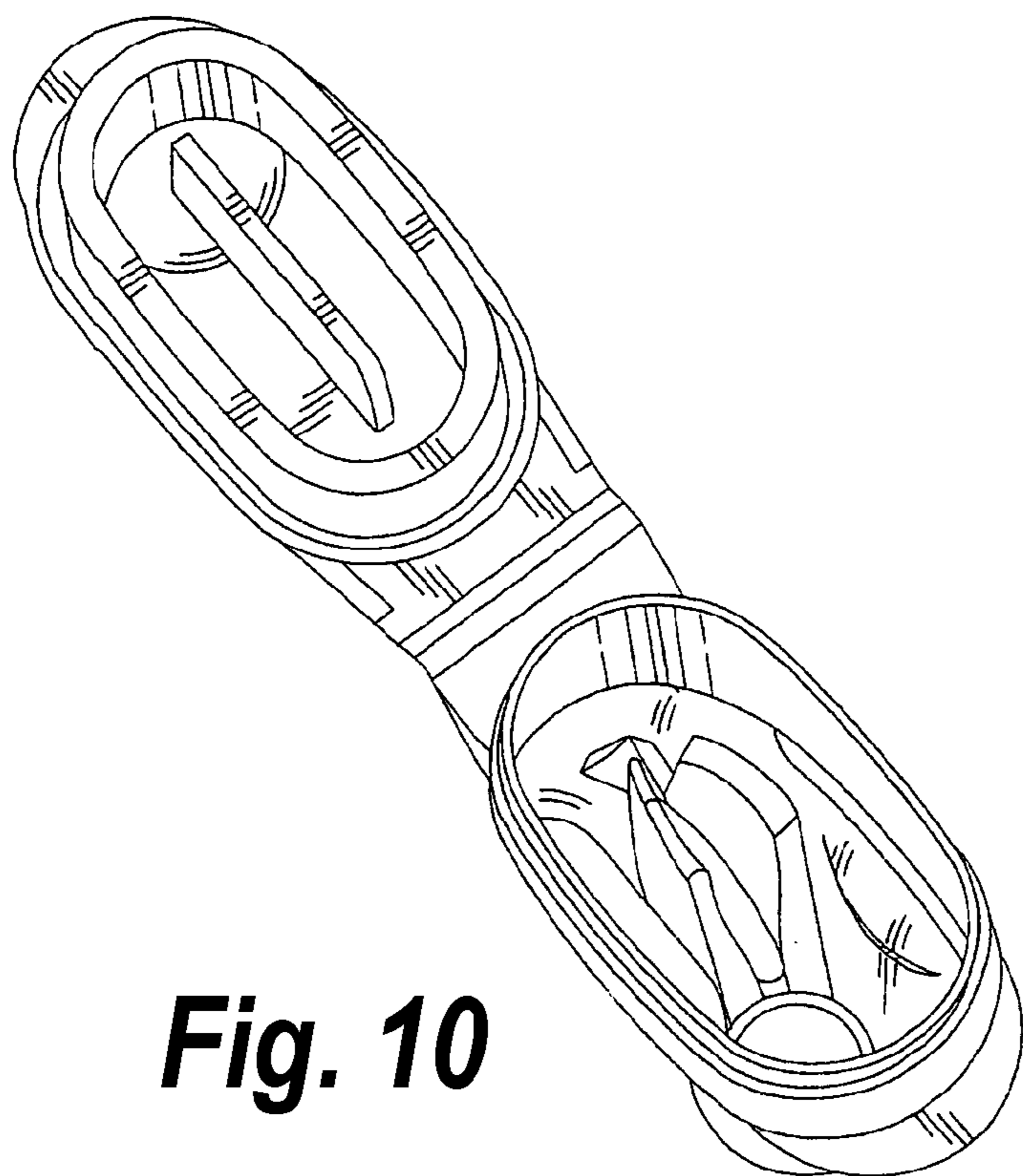


Fig. 10

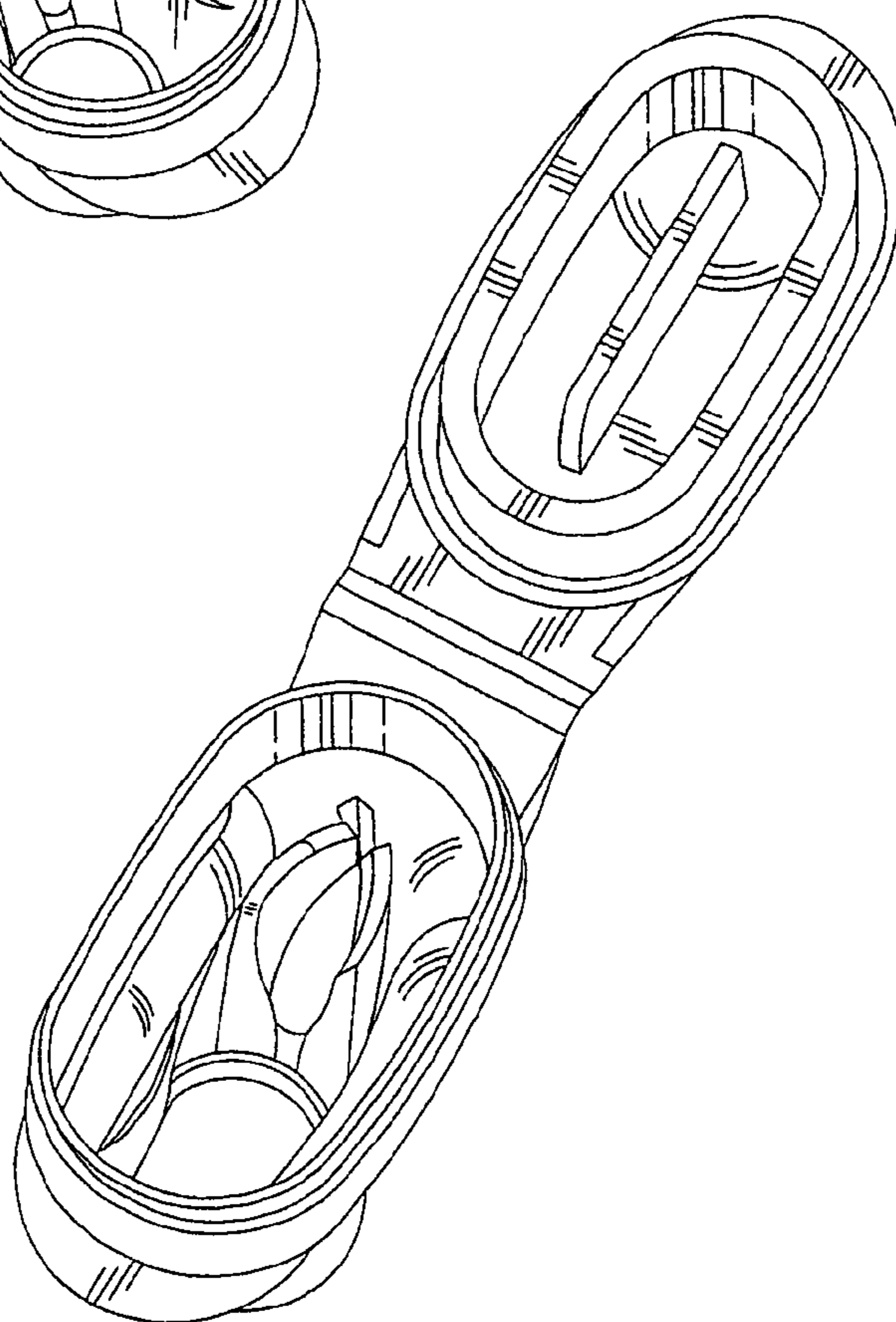


Fig. 11

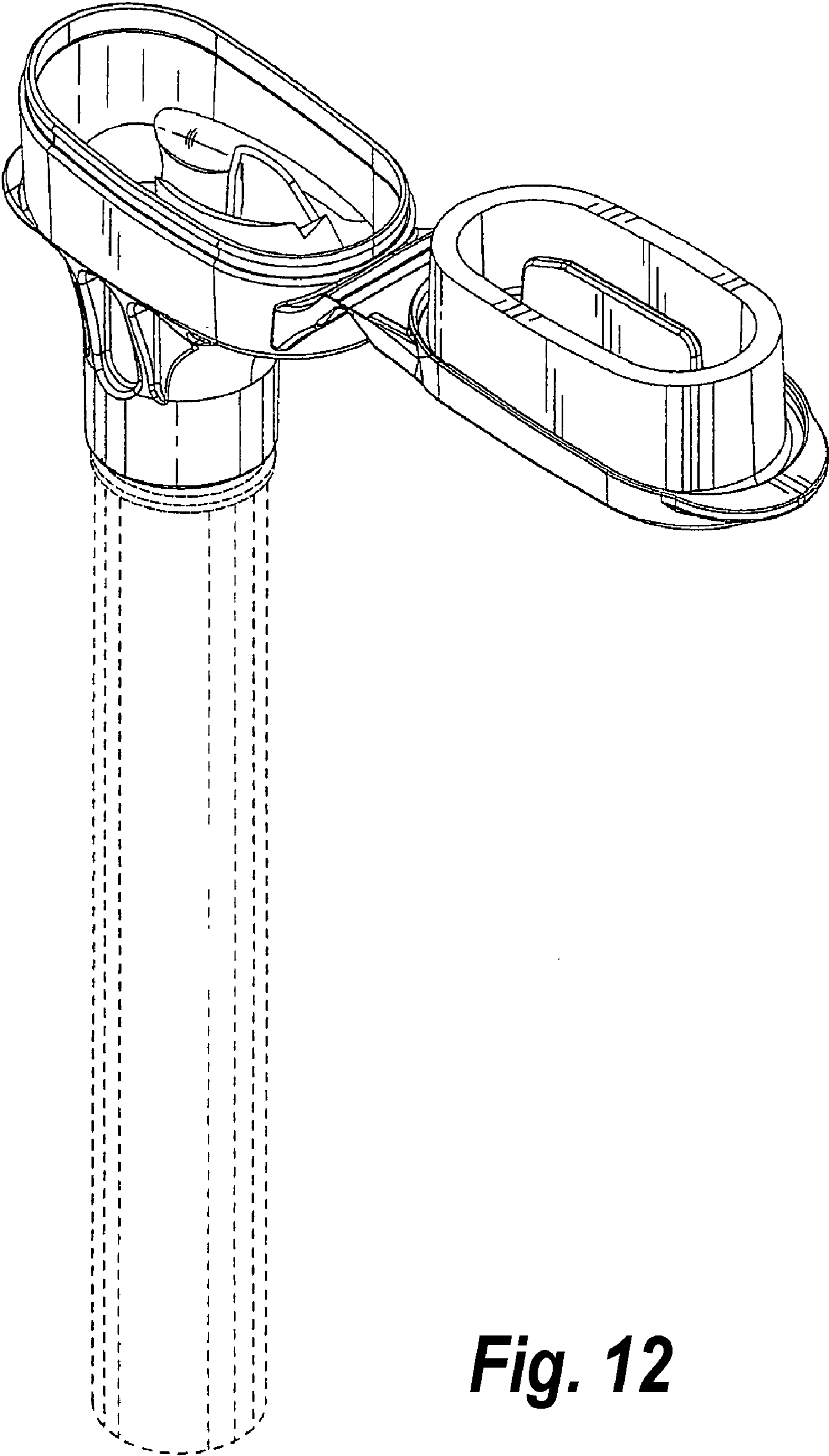


Fig. 12

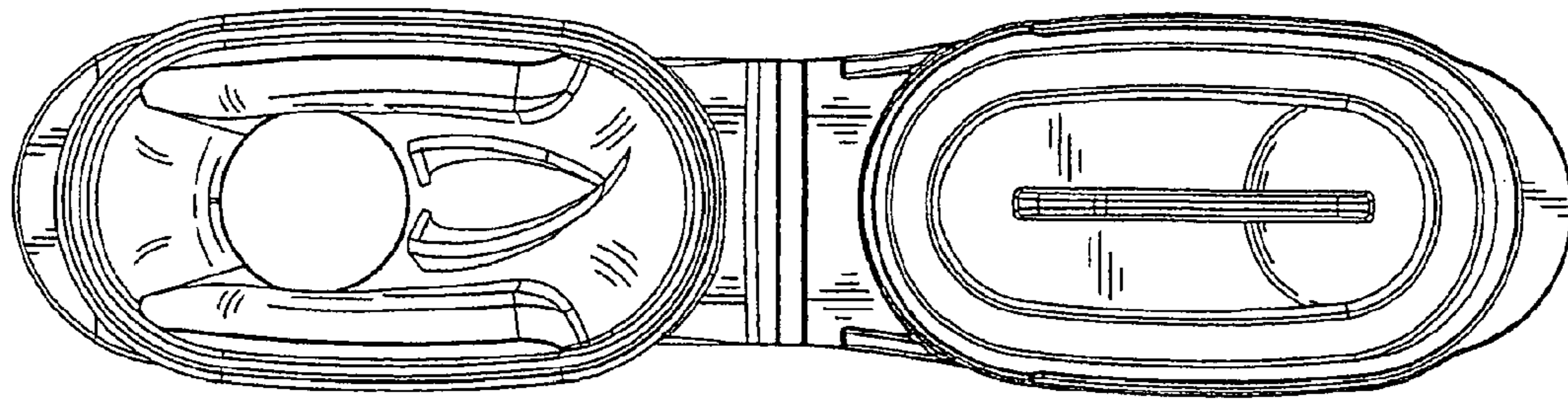


Fig. 13

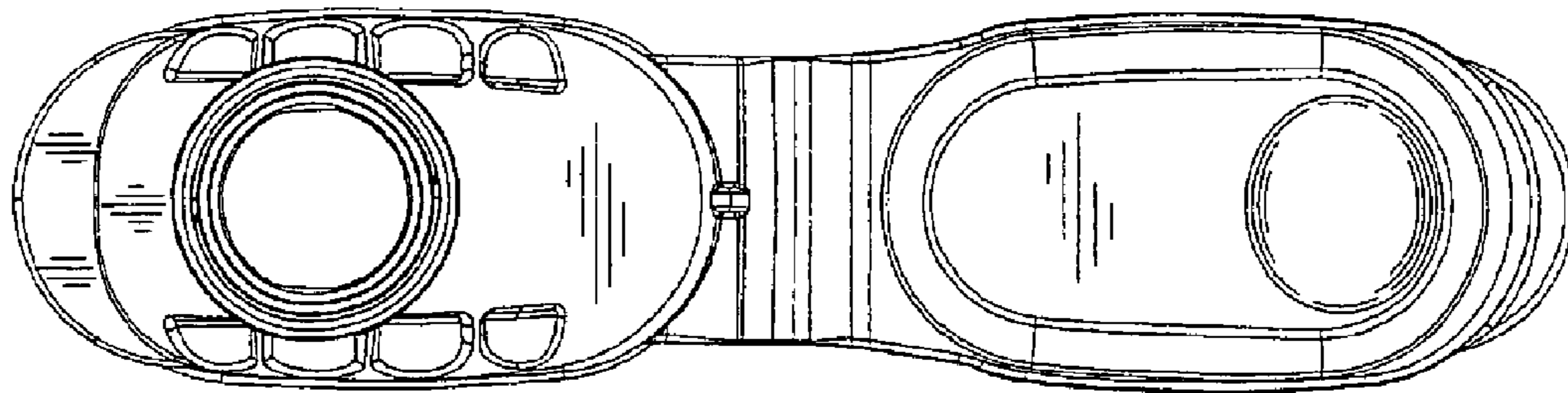


Fig. 14

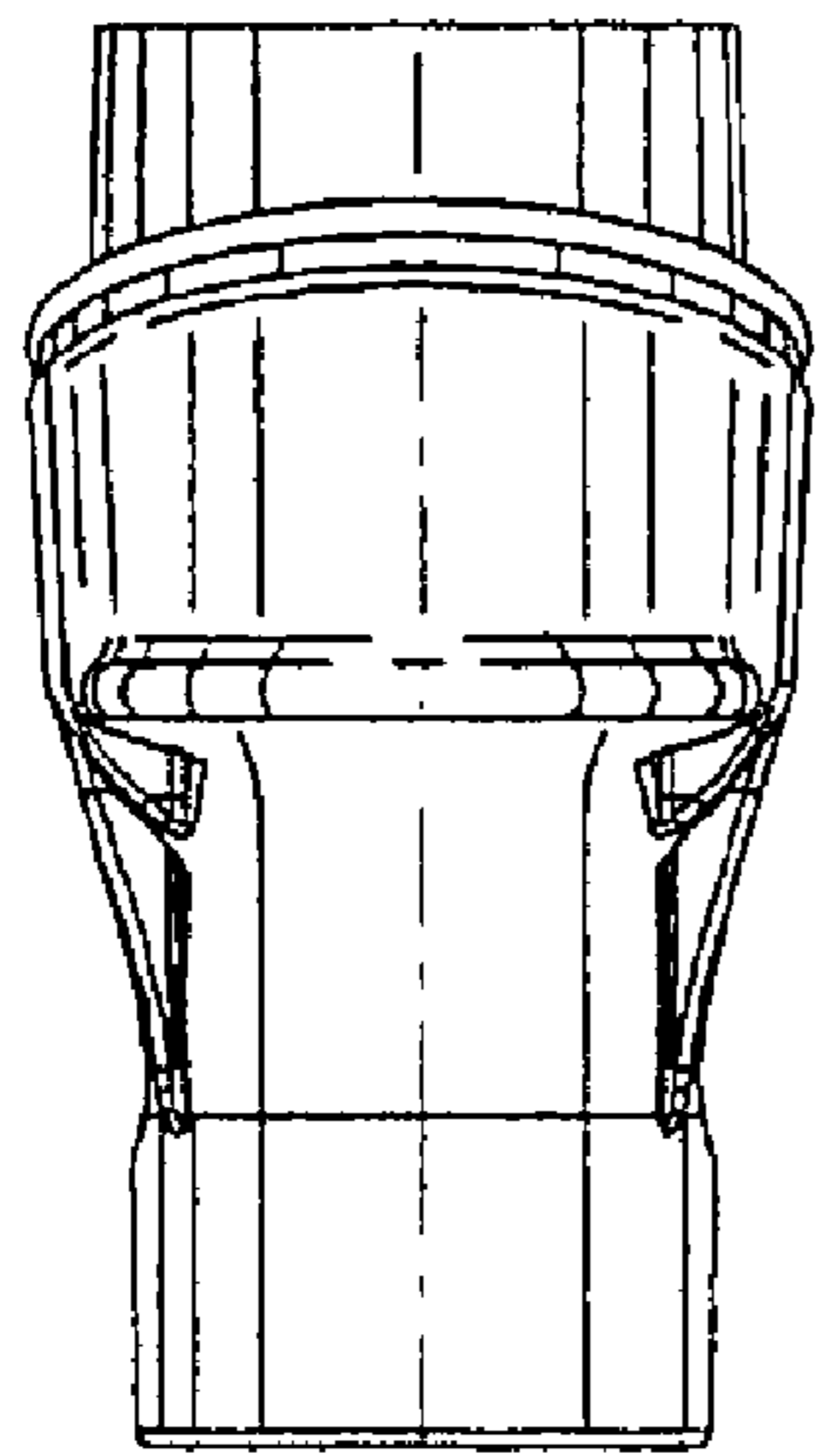


Fig. 15

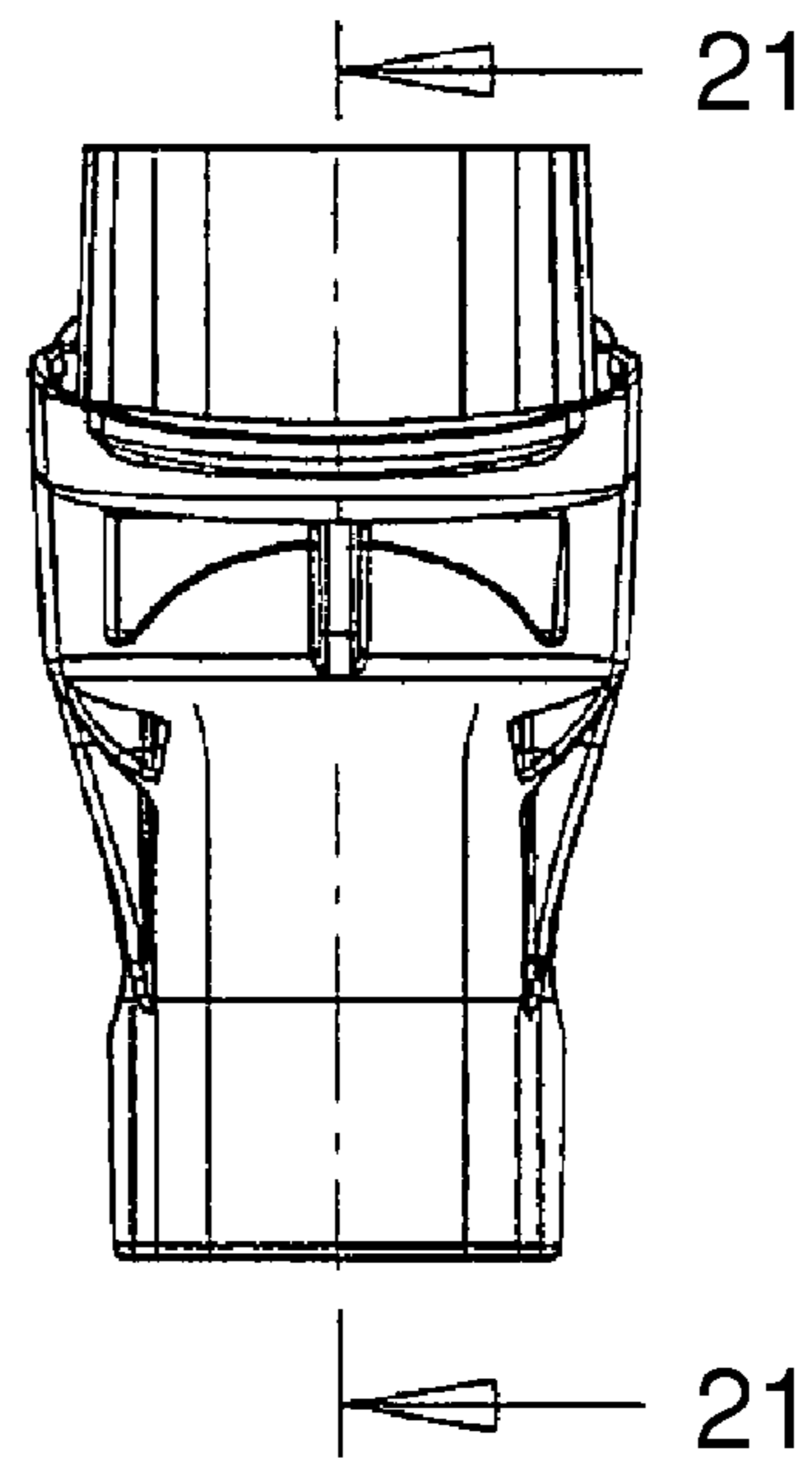


Fig. 16

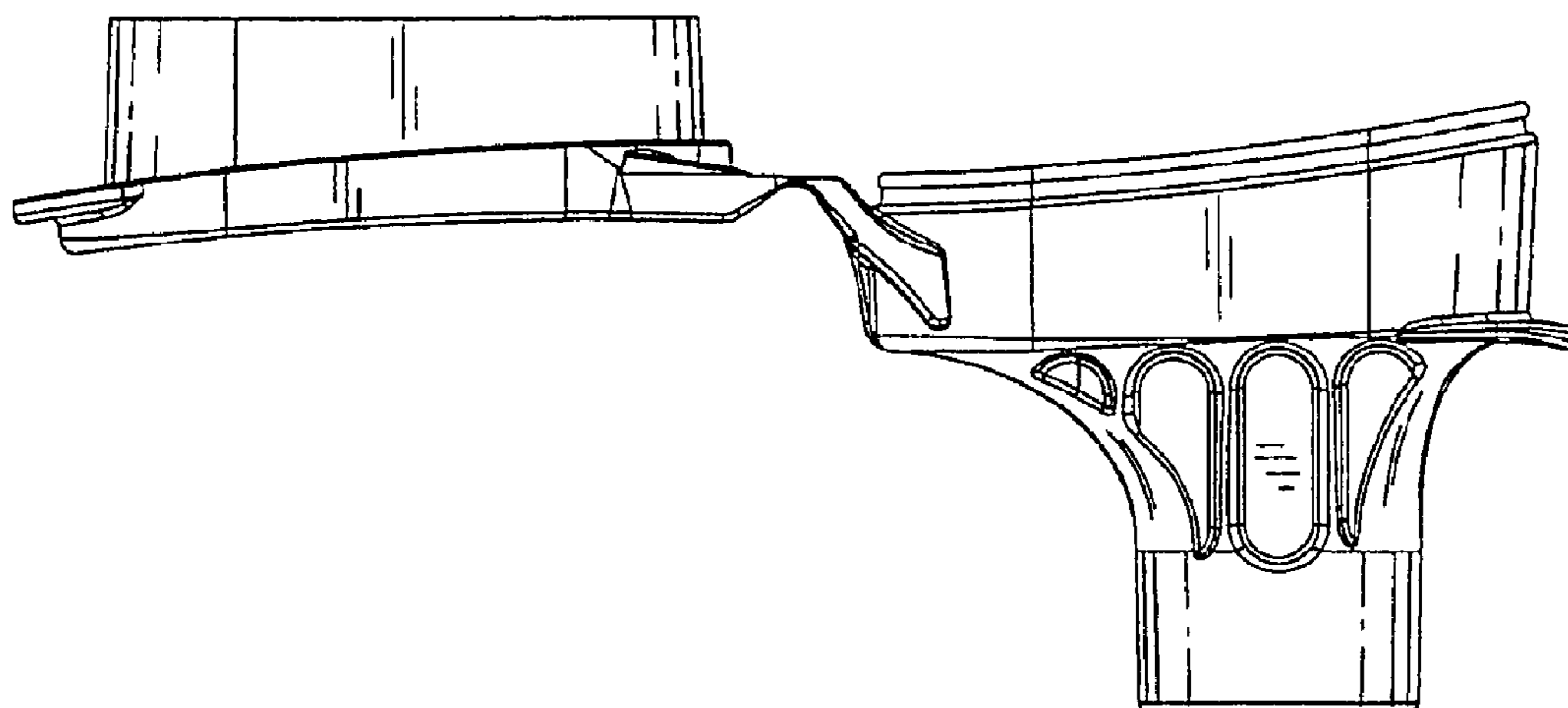


Fig. 17

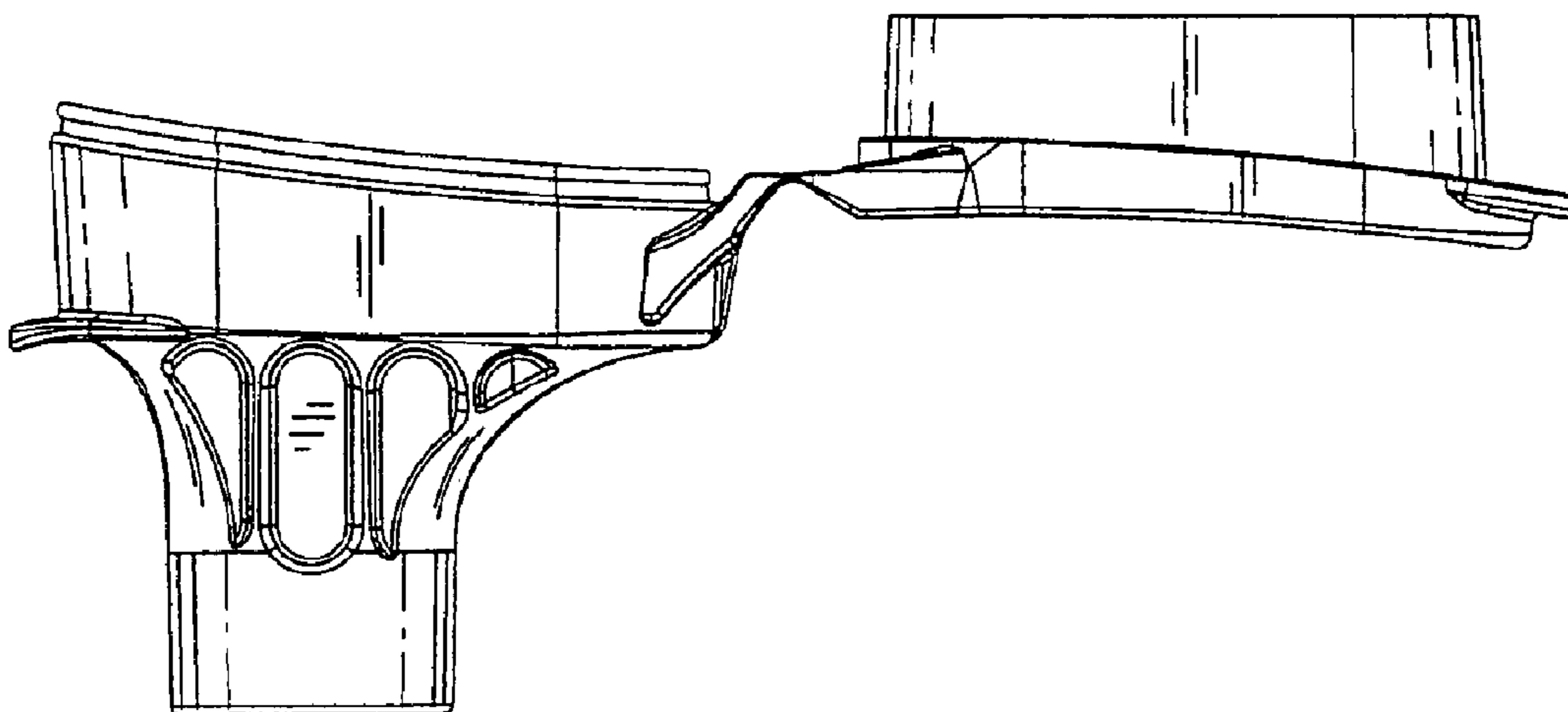


Fig. 18

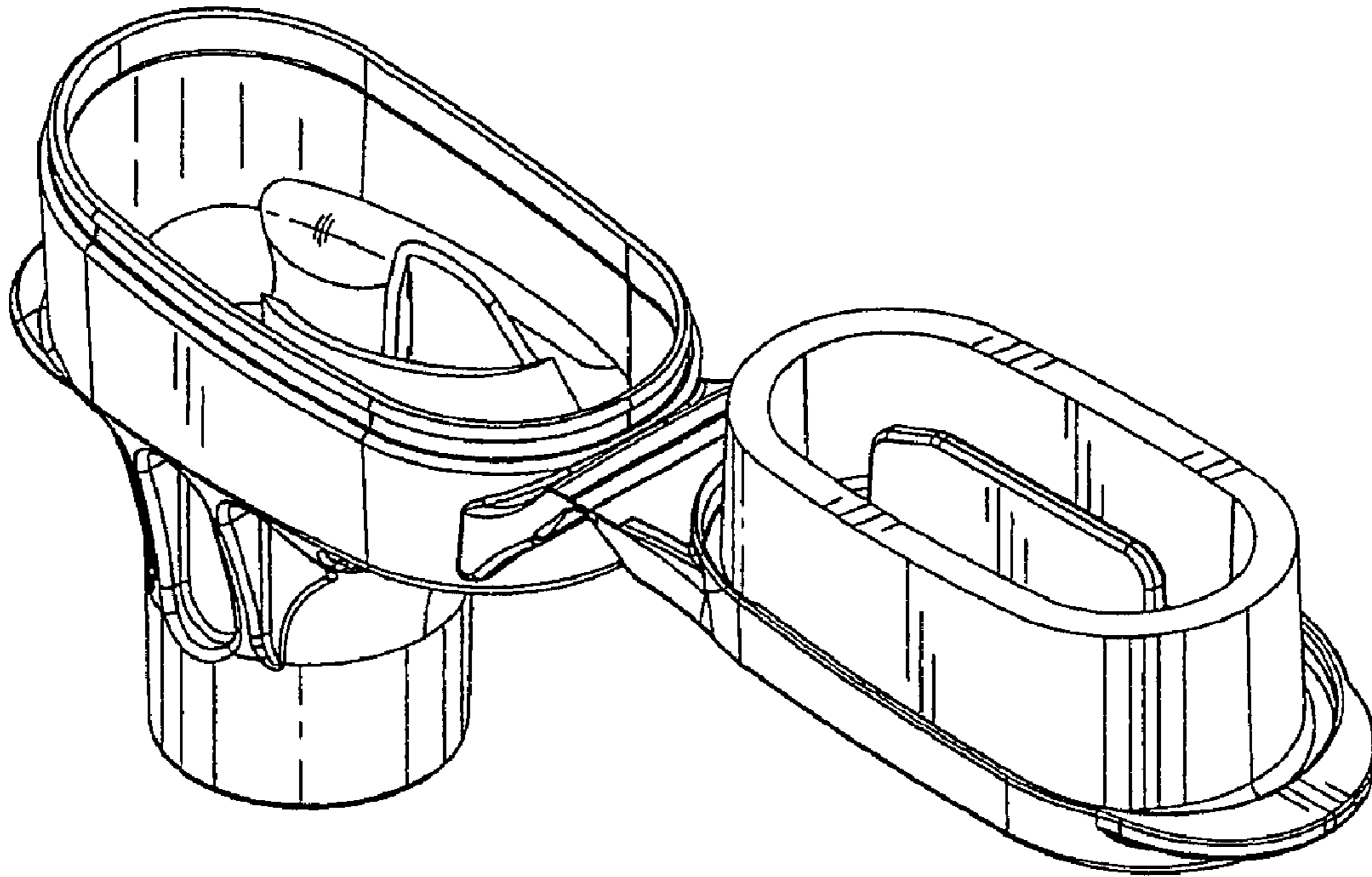


Fig. 19

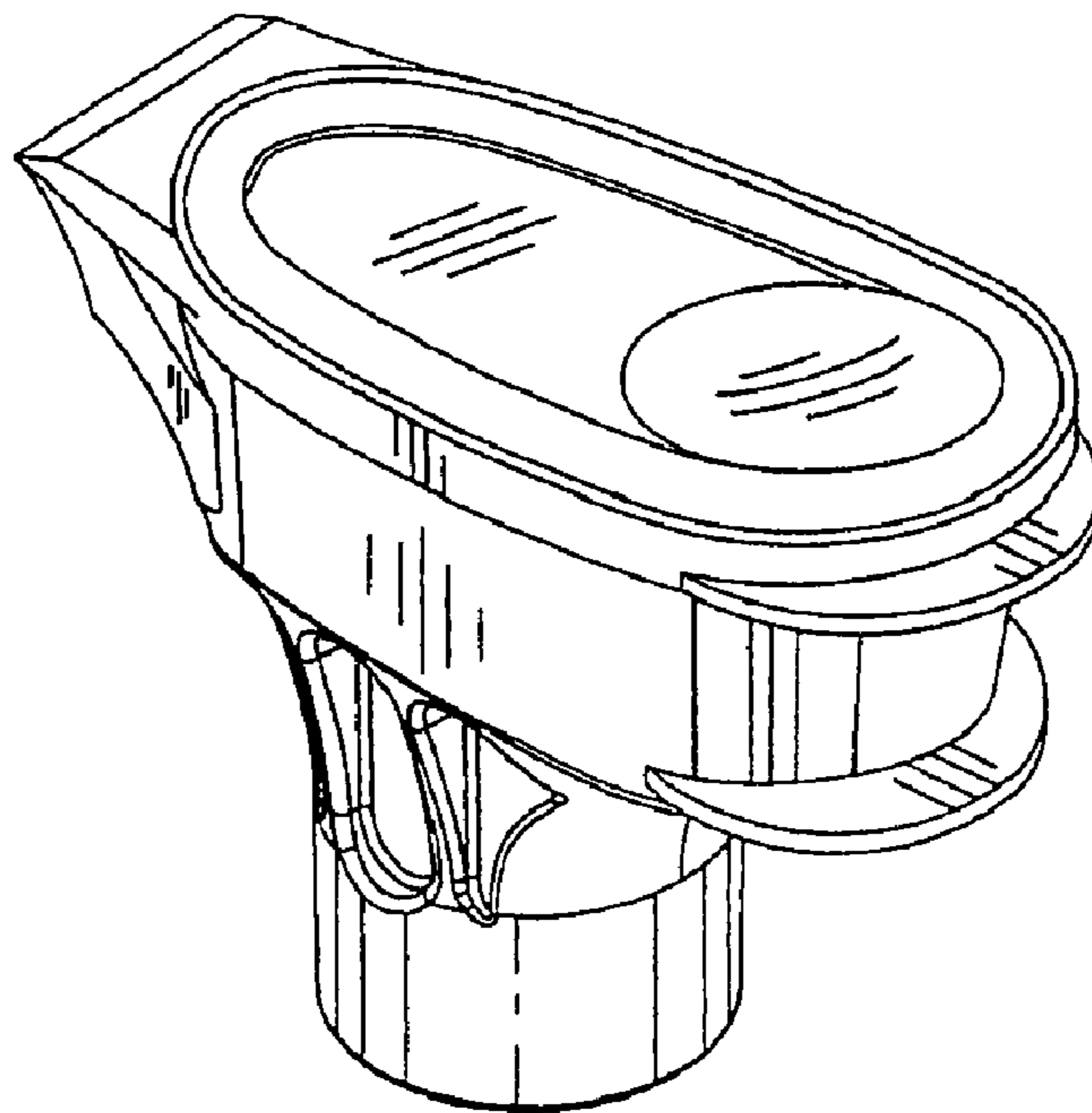


Fig. 20

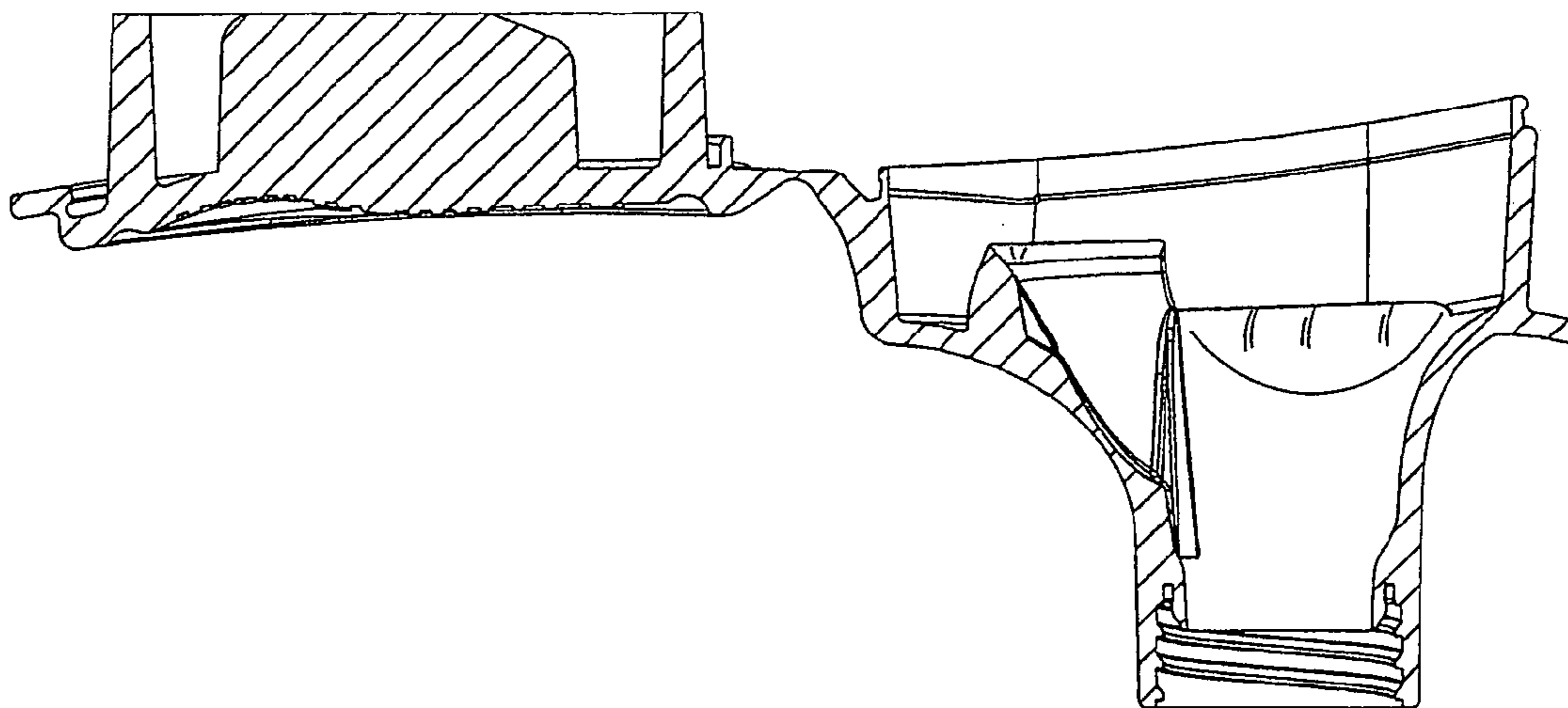


Fig. 21

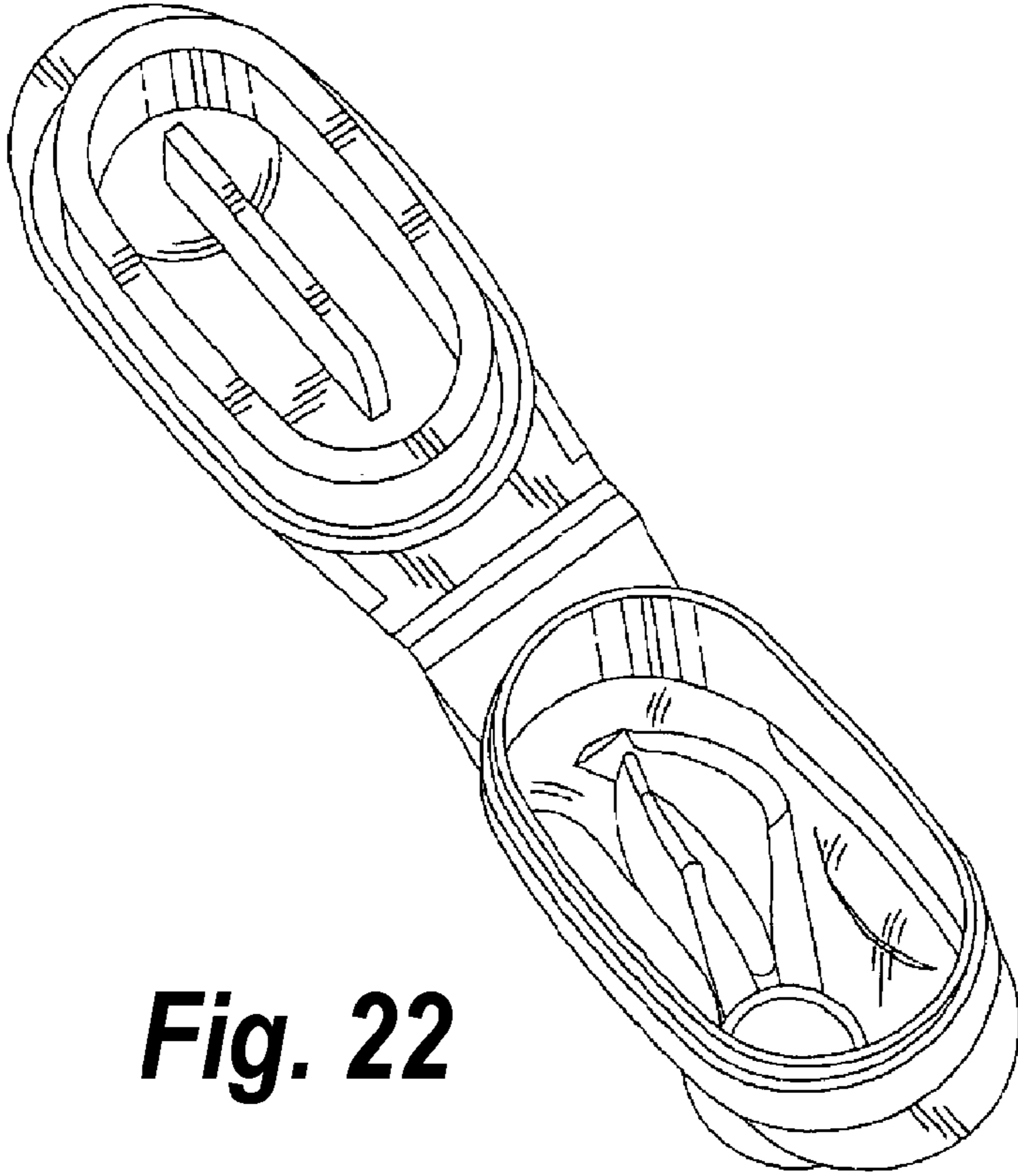


Fig. 22

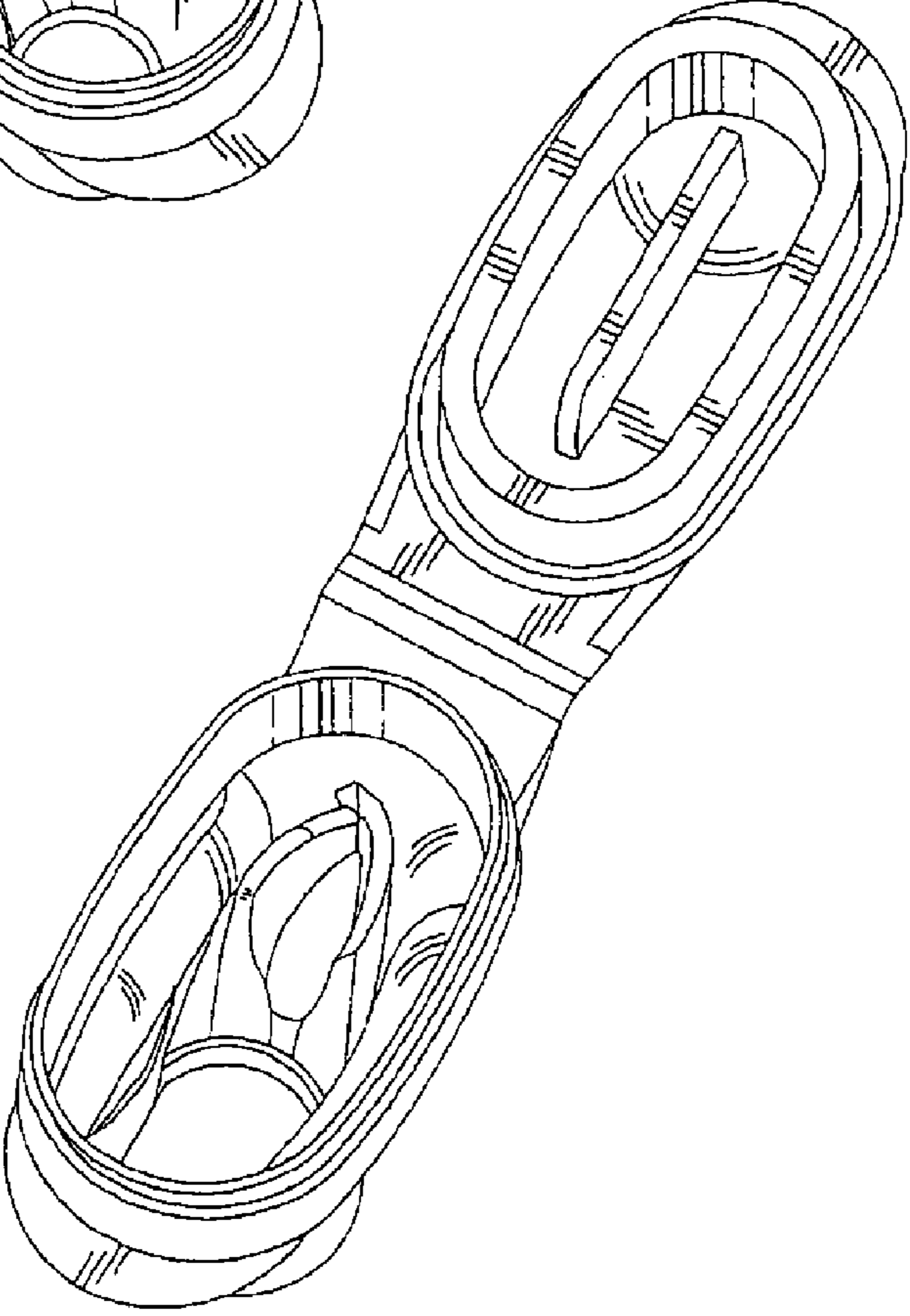


Fig. 23

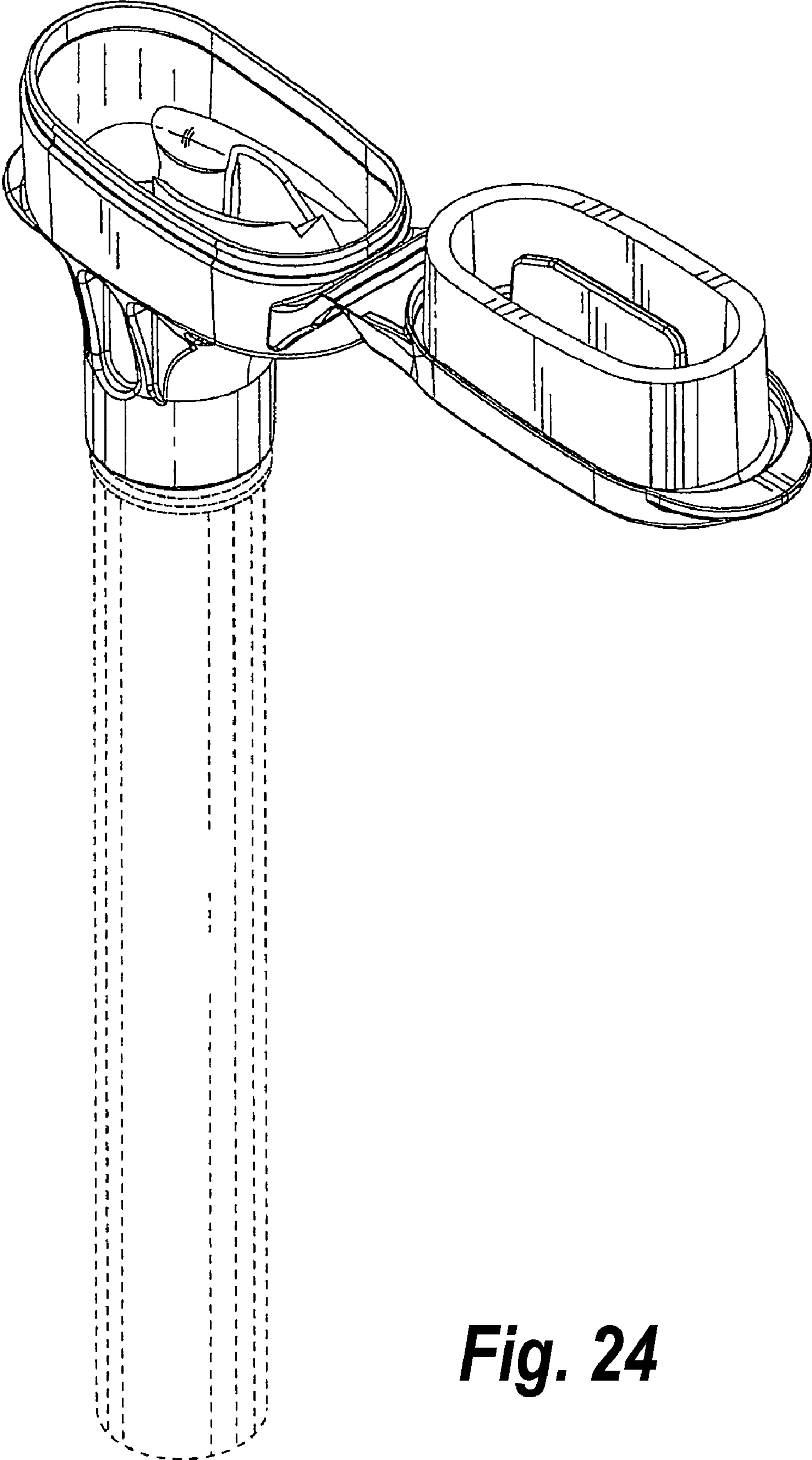


Fig. 24

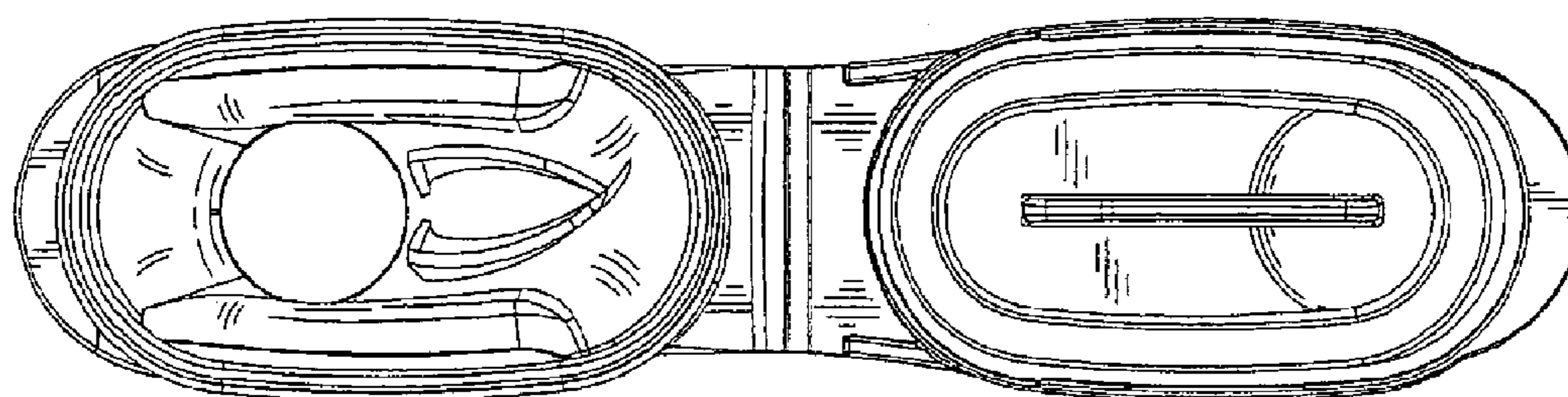


Fig. 25

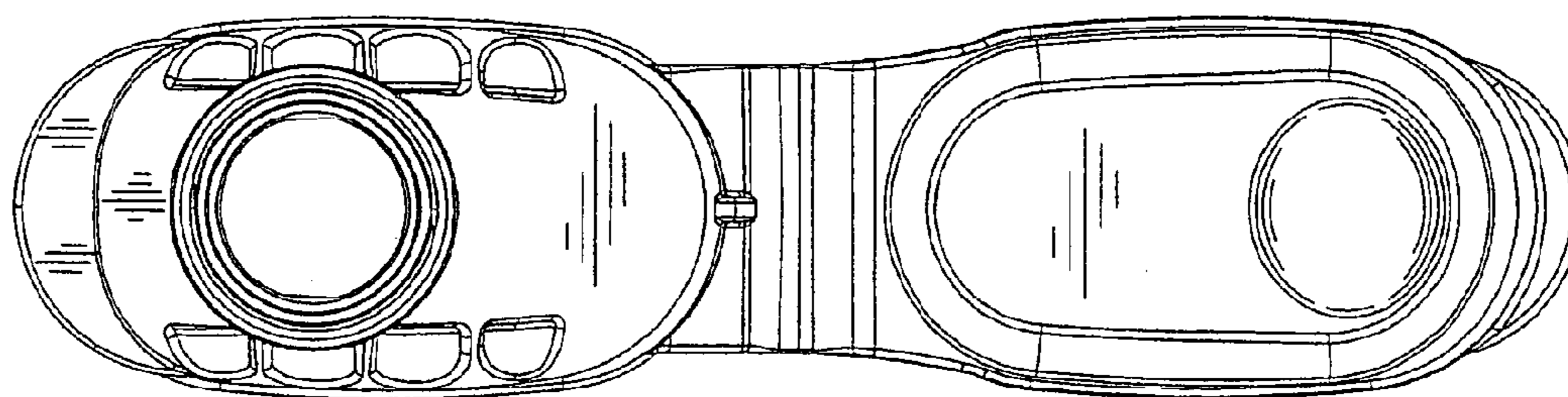


Fig. 26

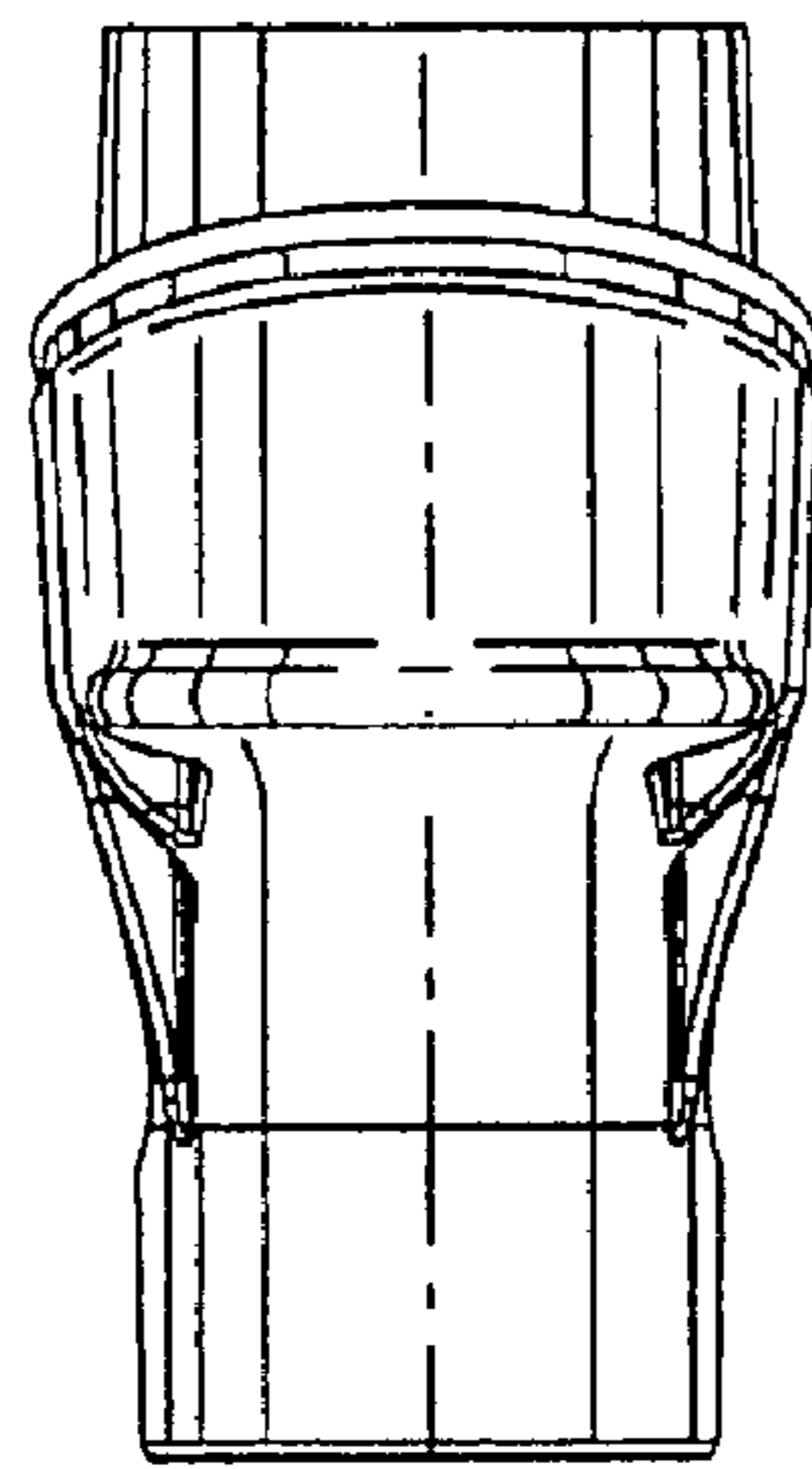


Fig. 27

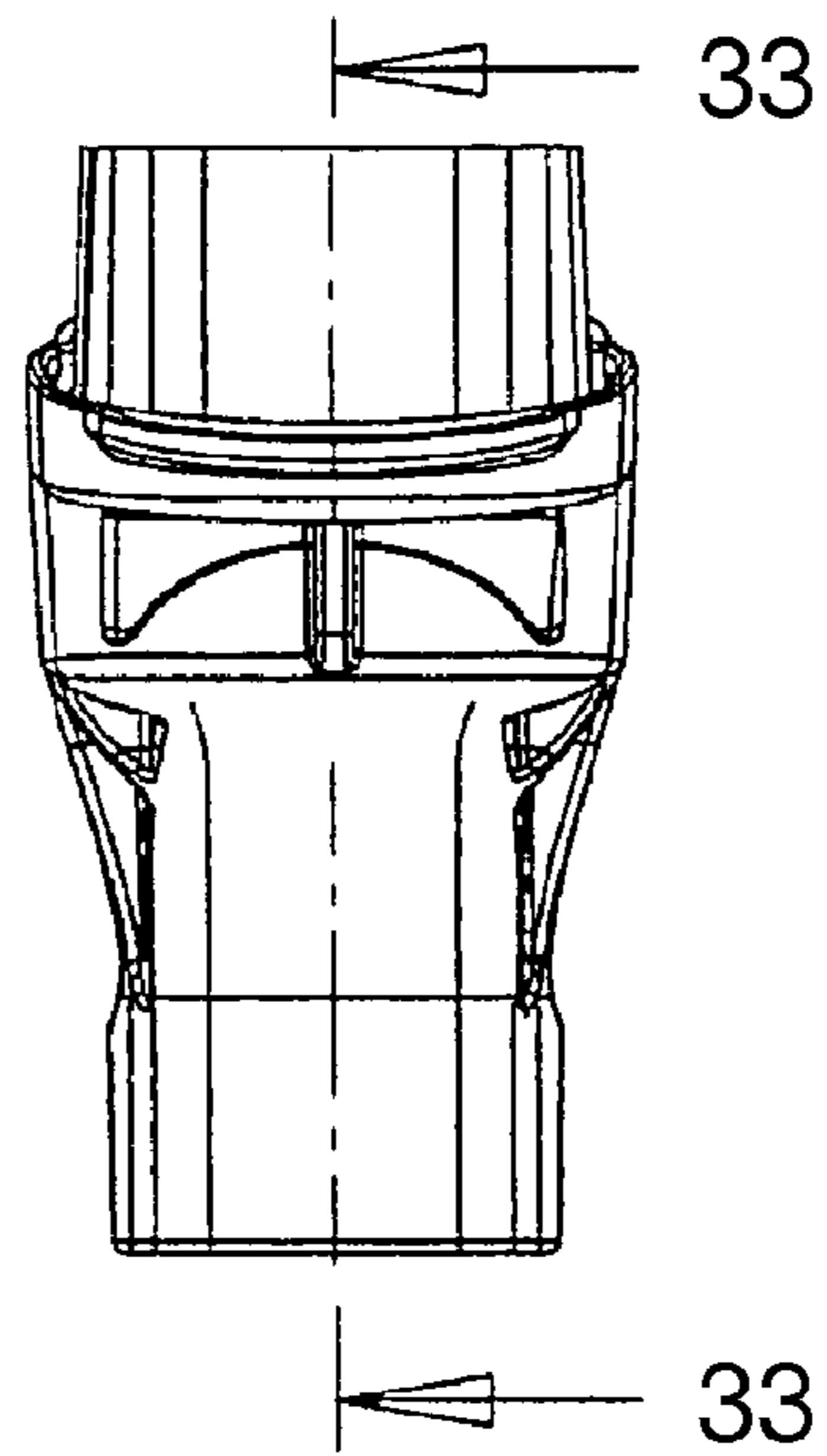


Fig. 28

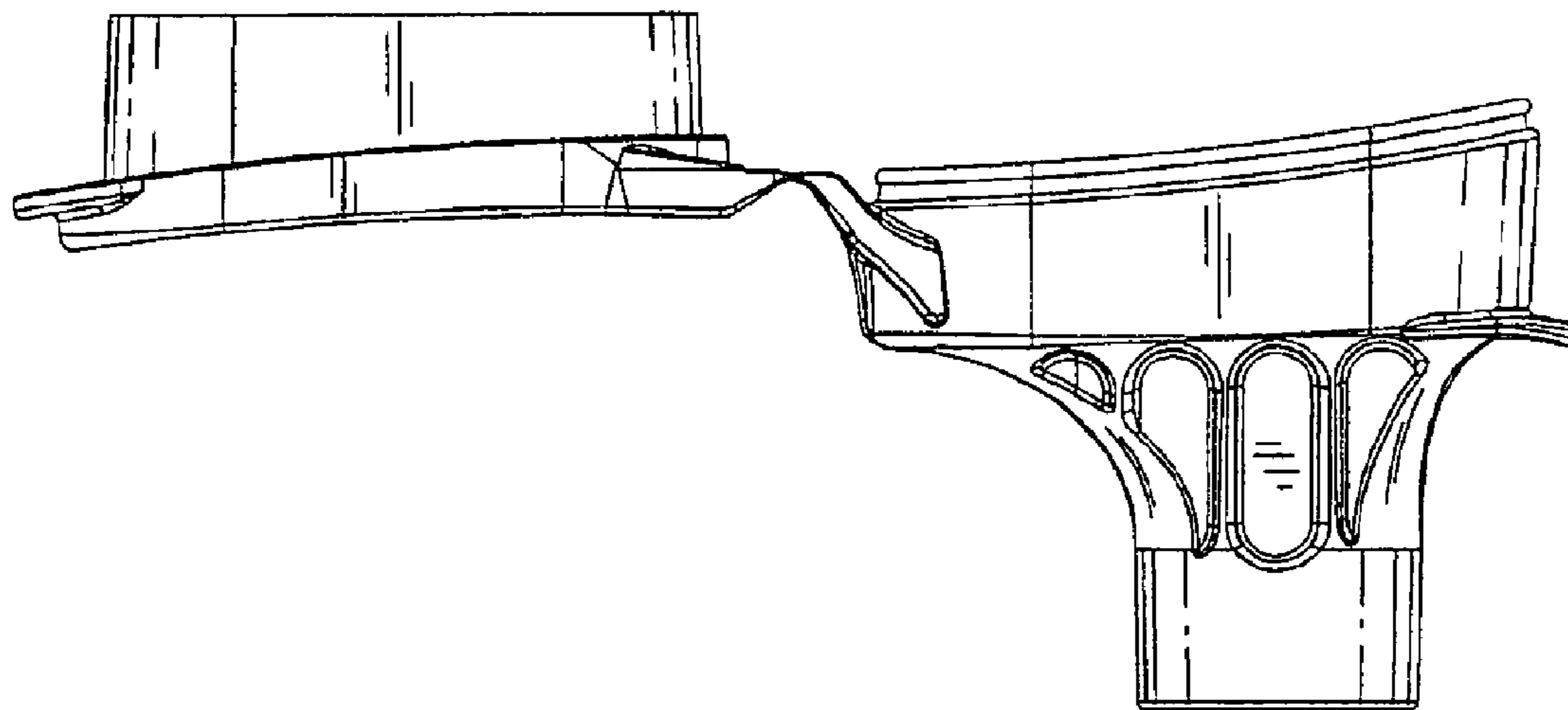


Fig. 29

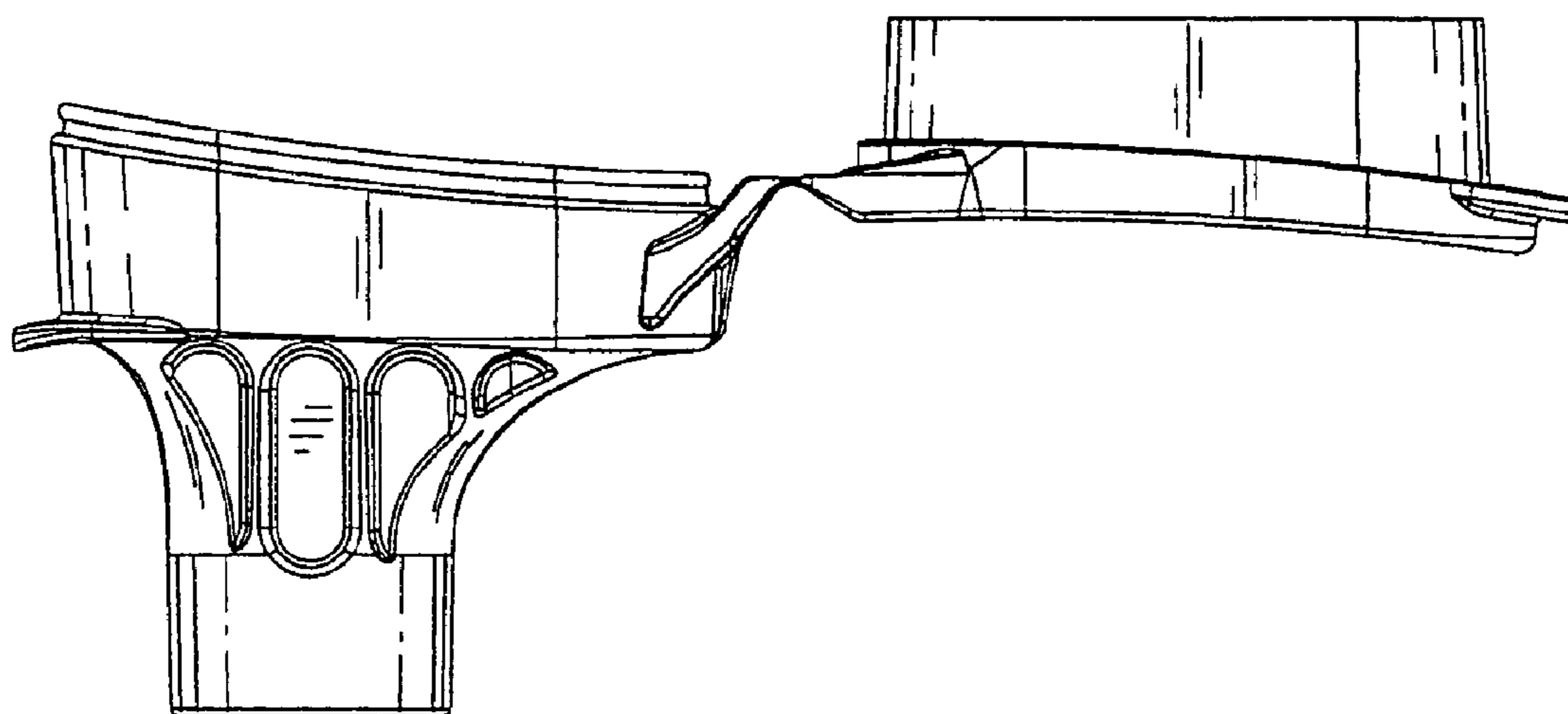


Fig. 30

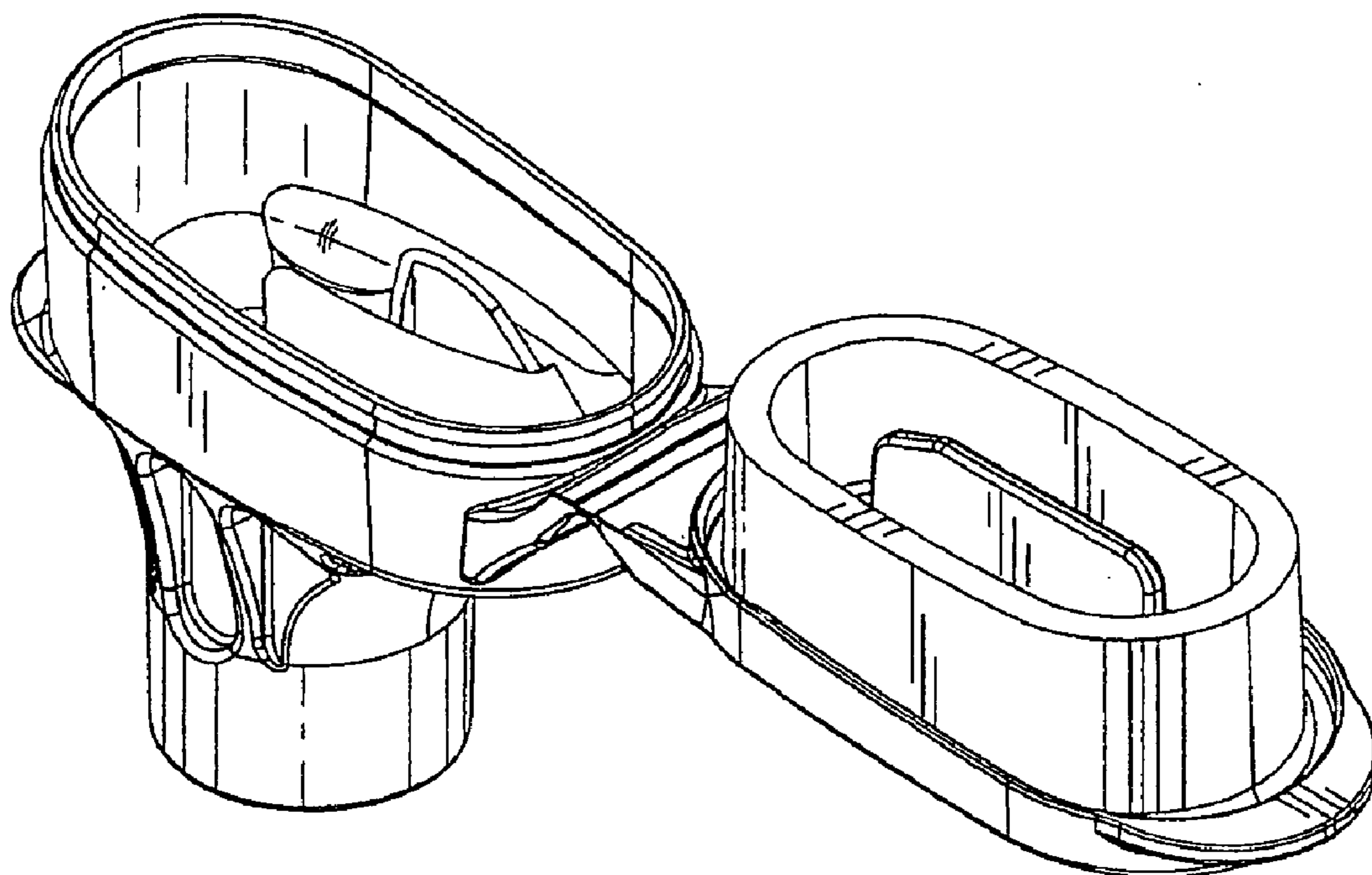


Fig. 31

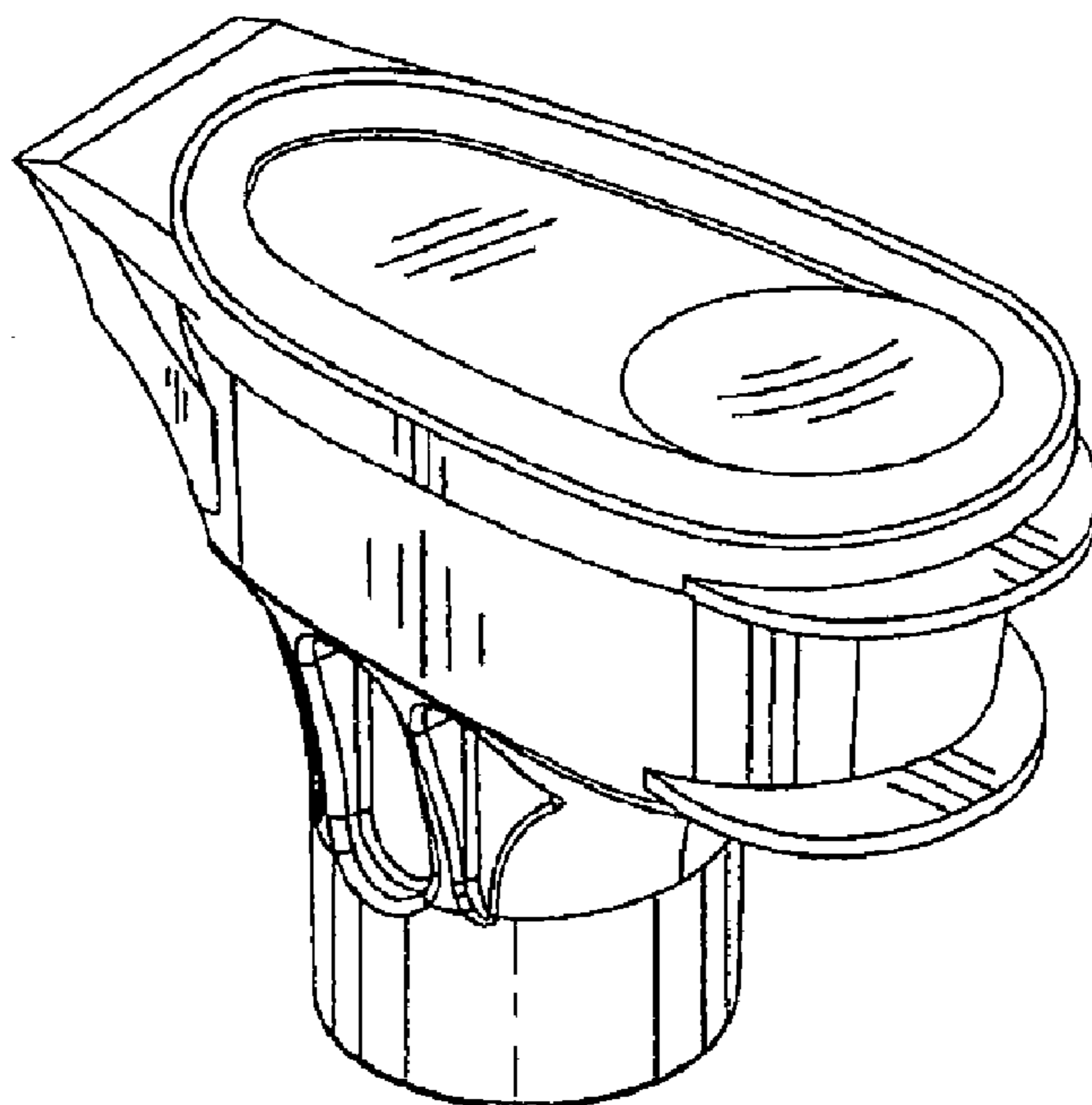


Fig. 32

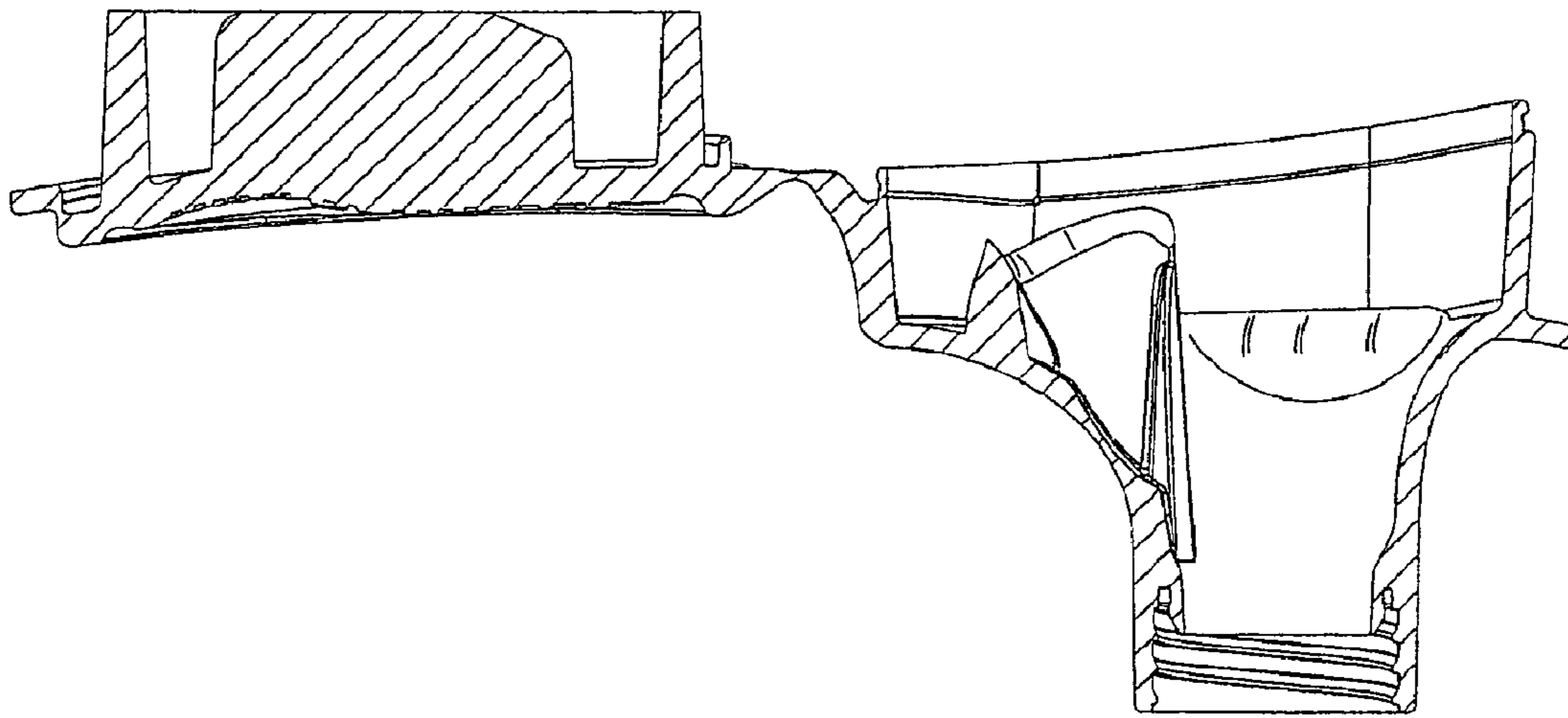


Fig. 33

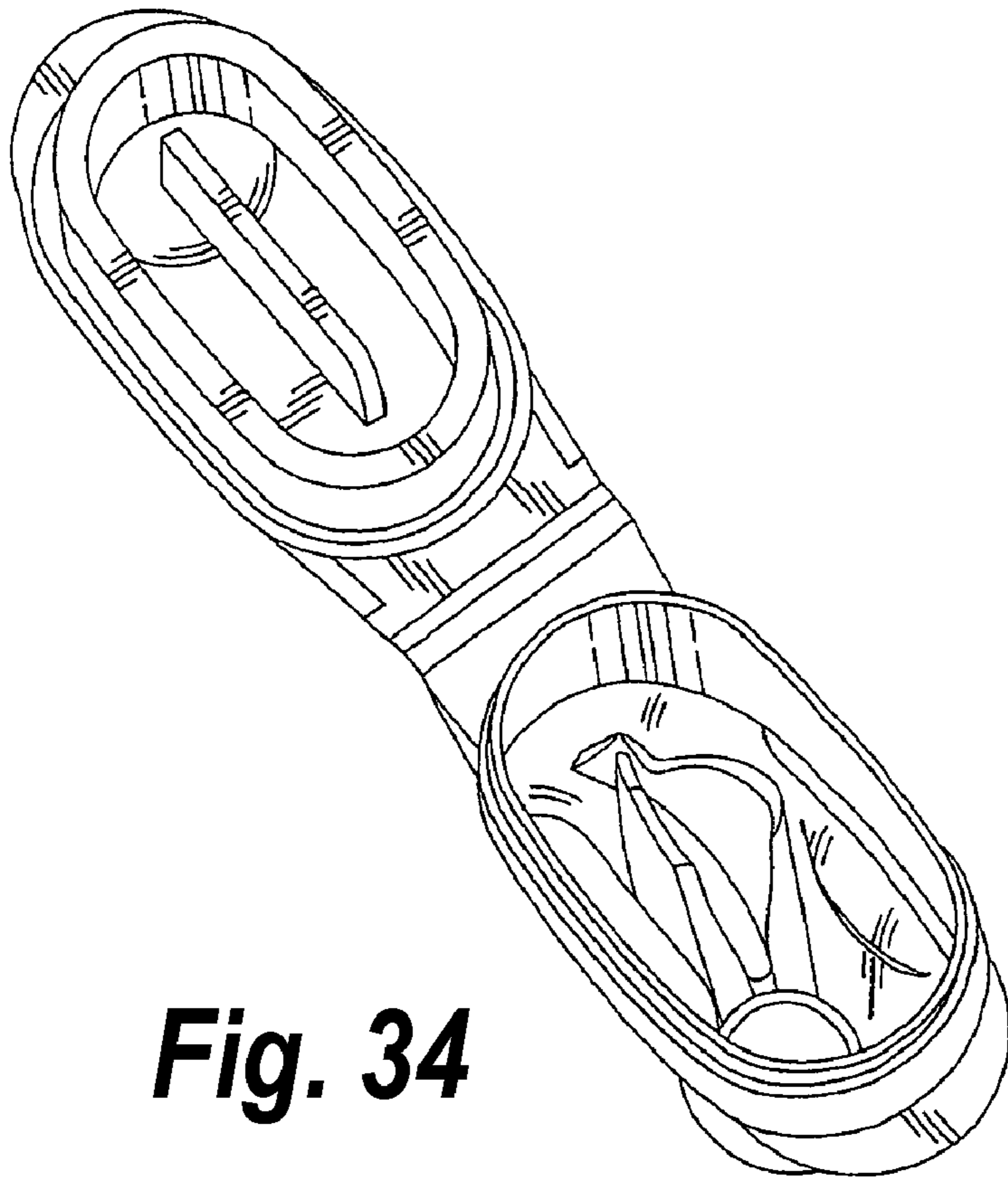


Fig. 34

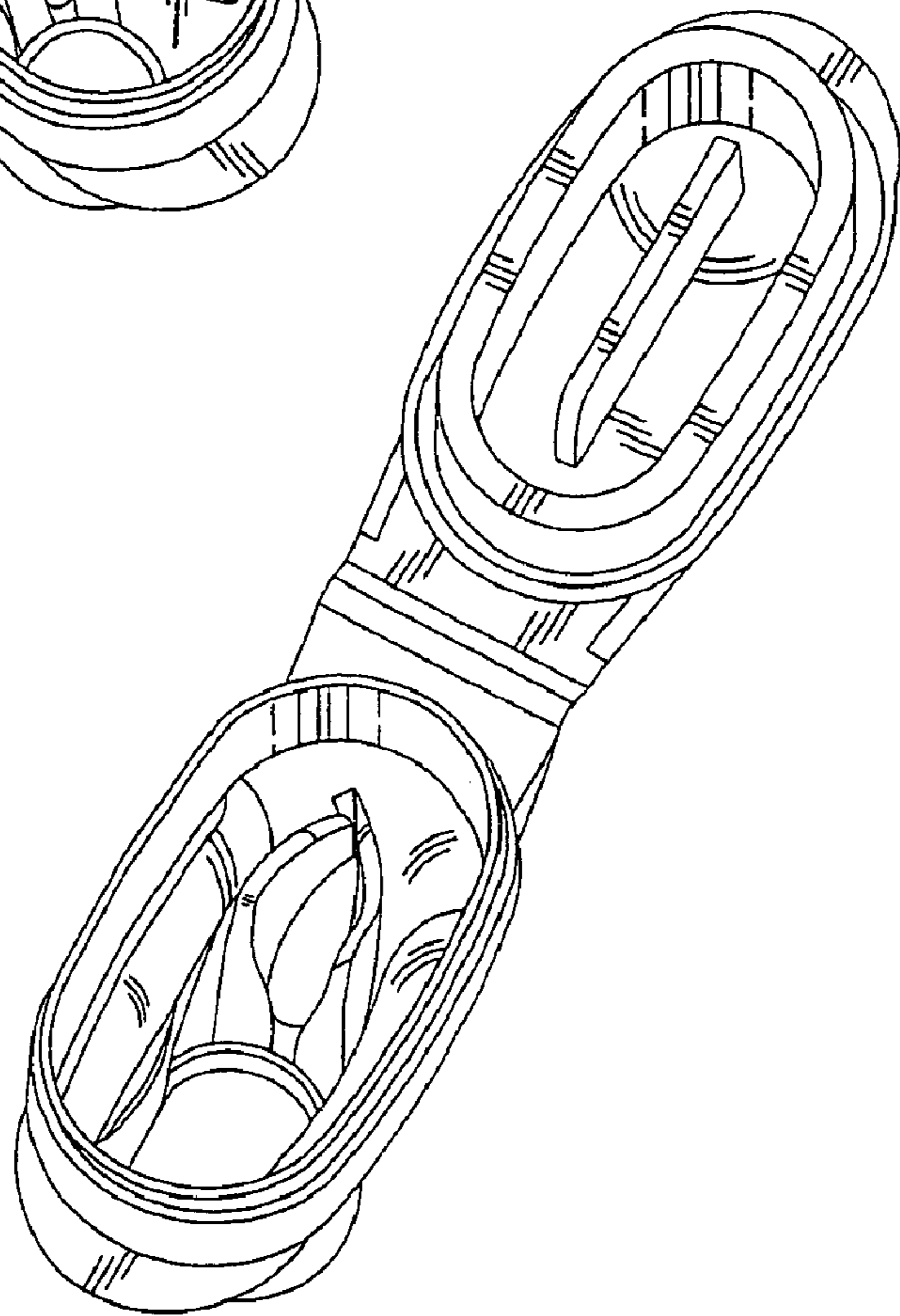


Fig. 35

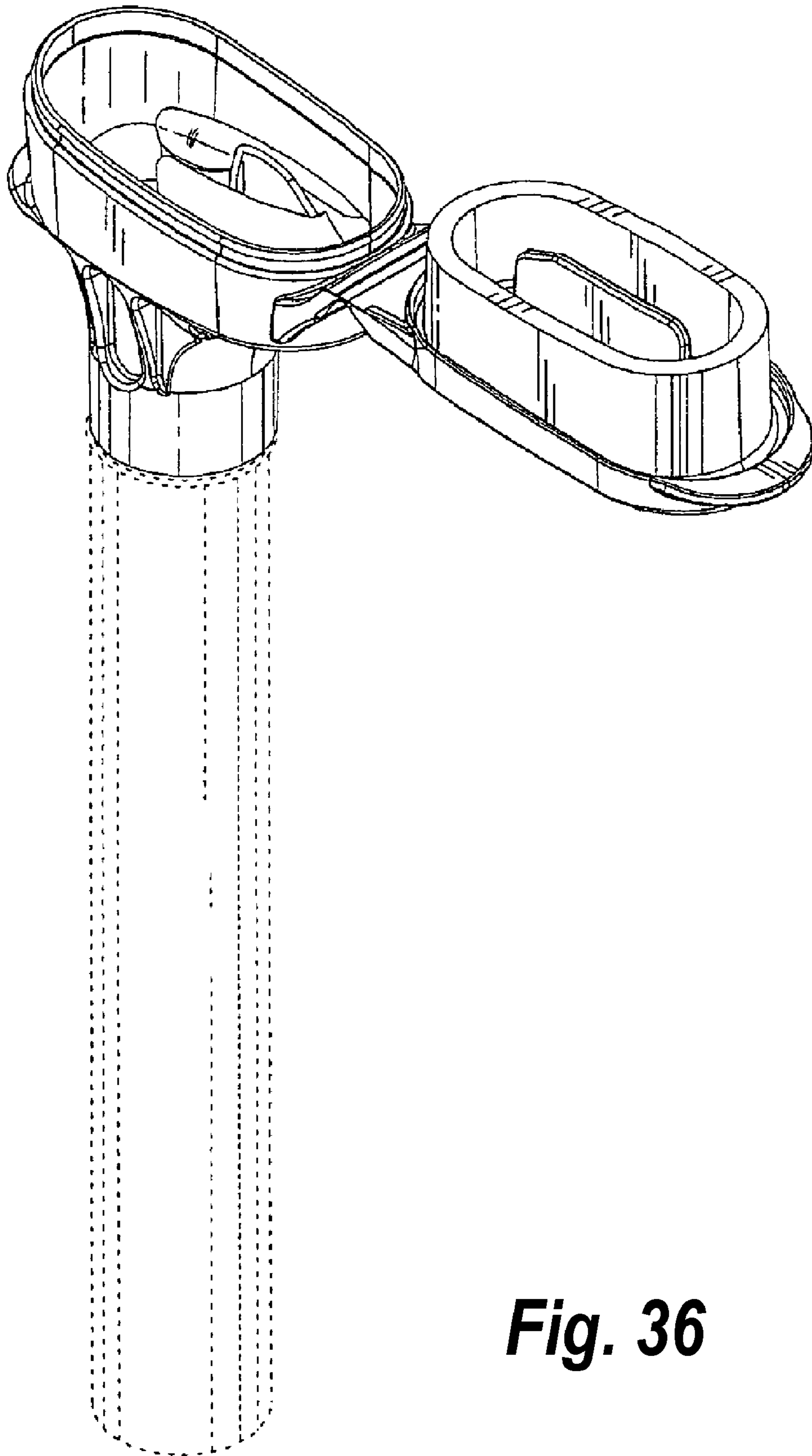


Fig. 36