

US00D631553S

(12) **United States Design Patent**
Niedbala et al.

(10) **Patent No.:** **US D631,553 S**
(45) **Date of Patent:** **** Jan. 25, 2011**

(54) **TEST DEVICE**

(75) Inventors: **R. Sam Niedbala**, Allentown, PA (US);
John W. Scott, Perkasio, PA (US); **Peter A. Bourdelle**, Allentown, PA (US); **Hans H. Feindt**, Allentown, PA (US)

4,580,577 A 4/1986 O'Brien et al.
D296,926 S 7/1988 Heasley
D299,859 S 2/1989 Fan et al.
D299,860 S 2/1989 Fan et al.
4,857,453 A 8/1989 Ullman et al.

(Continued)

(73) Assignee: **OraSure Technologies, Inc.**, Bethlehem, PA (US)

(**) Term: **14 Years**

(21) Appl. No.: **29/188,351**

(22) Filed: **Aug. 19, 2003**

Related U.S. Application Data

(60) Continuation of application No. 29/176,072, filed on Feb. 19, 2003, now Pat. No. Des. 481,800, which is a division of application No. 29/167,180, filed on Sep. 11, 2002, now Pat. No. Des. 474,278, which is a division of application No. 29/148,787, filed on Sep. 28, 2001, now Pat. No. Des. 467,665.

(51) **LOC (9) Cl.** **24-02**

(52) **U.S. Cl.** **D24/223; D24/216; D24/224; D24/225**

(58) **Field of Classification Search** D24/110-110.6, D24/216, 224, 223, 225; D16/339; 128/207.17, 128/207.11, 848; 2/171.2, 171.8; D10/81; 422/61, 102, 57; 435/287.2, 287.3, 305.1, 435/352; 600/583-584

See application file for complete search history.

(56) **References Cited**

U.S. PATENT DOCUMENTS

4,014,322 A 3/1977 Shah

OTHER PUBLICATIONS

Pending U.S. Utility Application, Title: Sample Collector and Test Device, filed Nov. 30, 2001.

Primary Examiner—T. Chase Nelson

Assistant Examiner—Michael A Pratt

(74) *Attorney, Agent, or Firm*—J.A. Lindeman & Co., PLLC

(57) **CLAIM**

The ornamental design for a test device, as shown and described.

DESCRIPTION

FIG. 1 is a perspective view of a test device according to our new design. The broken lines showing of a sample collector is indicative of a possible environment in which the test device can be used and does not form a part of the present design;

FIG. 2 is a front view of the test device of FIG. 1;

FIG. 3 is a top view of the test device of FIG. 1;

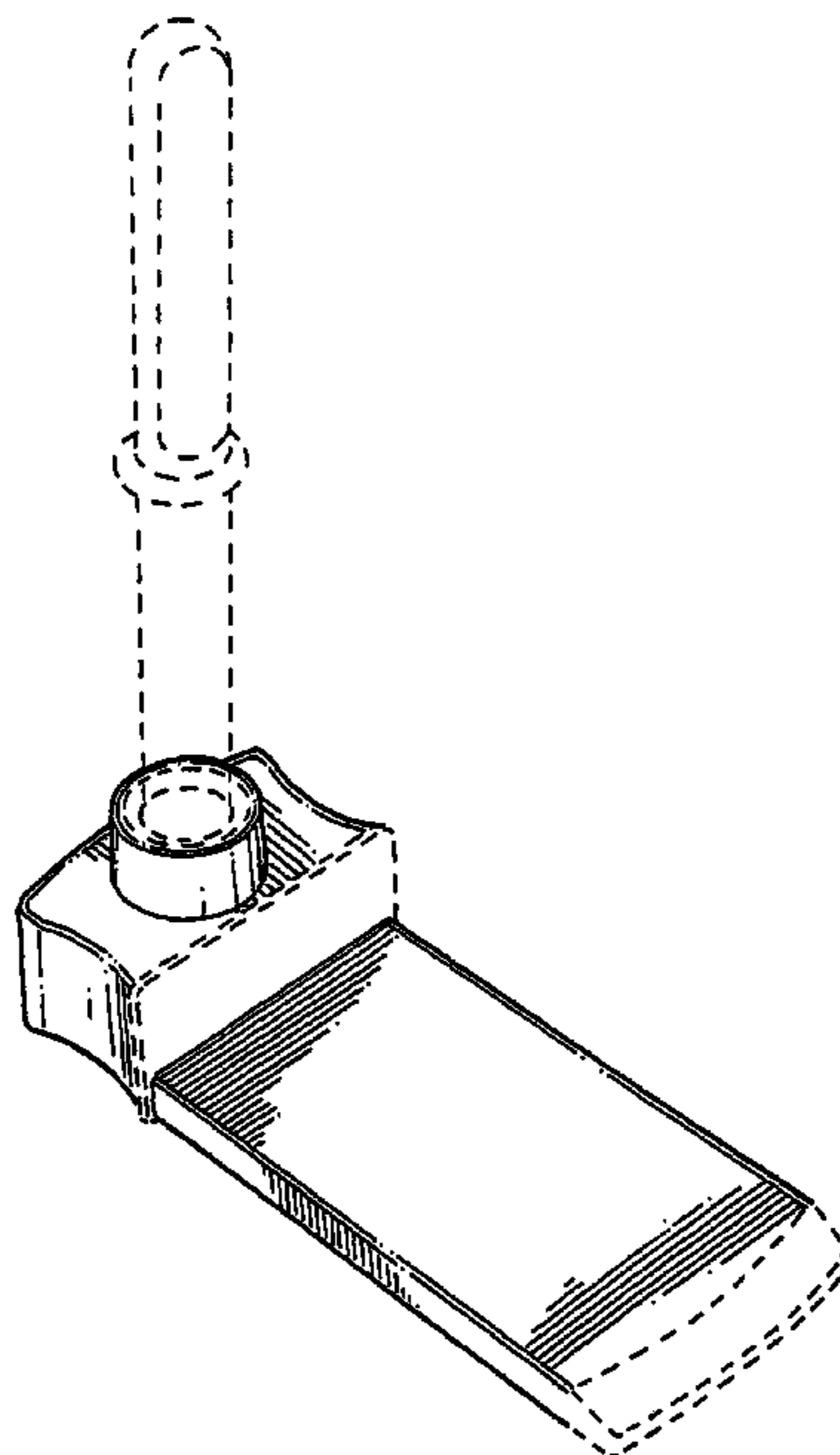
FIG. 4 is a bottom view of the test device of FIG. 1;

FIG. 5 is a rear view of the test device of FIG. 1; and,

FIG. 6 is a right side view of the test device of FIG. 1, the left side view being a mirror image thereof.

The broken line showing of portions of the test device is included for the purpose of illustrating portions of the article that form no part of the claimed design.

1 Claim, 4 Drawing Sheets



US D631,553 S

Page 2

U.S. PATENT DOCUMENTS					
4,943,522 A	7/1990	Eisinger et al.	D379,663 S	6/1997	Pearson et al.
4,980,298 A	12/1990	Blake et al.	5,656,502 A	8/1997	MacKay et al.
5,051,237 A	9/1991	Grenner et al.	D390,667 S	2/1998	Nazareth
D324,426 S	3/1992	Fan et al.	D391,373 S	2/1998	Shartle
D328,135 S	7/1992	Fan et al.	D394,317 S	5/1998	Carp
5,160,704 A	11/1992	Schldter	5,785,044 A	7/1998	Meador et al.
5,182,216 A *	1/1993	Clayton et al. 436/518	5,788,928 A	8/1998	Carey et al.
5,207,984 A	5/1993	Kheiri	5,792,424 A	8/1998	Homberg et al.
5,211,182 A	5/1993	Deutsch et al.	5,824,268 A	10/1998	Bernstein et al.
5,256,372 A	10/1993	Brooks et al.	5,830,410 A	11/1998	Thieme et al.
D341,663 S	11/1993	Coulter	D403,975 S	1/1999	Douglas et al.
5,260,031 A	11/1993	Seymour	D405,539 S	2/1999	Poissant et al.
D342,575 S	12/1993	Ashihara et al.	5,965,453 A	10/1999	Skiffington et al.
5,268,148 A	12/1993	Seymour	D420,141 S	2/2000	Casterlin
5,279,294 A	1/1994	Anderson et al.	6,027,943 A	2/2000	Kang et al.
D348,522 S	7/1994	Groothuizen	D427,314 S	6/2000	Herbst et al.
5,356,785 A	10/1994	McMahon et al.	D431,867 S	10/2000	Maynard et al.
5,376,337 A	12/1994	Seymour	D432,244 S	10/2000	Anderson et al.
5,380,492 A	1/1995	Seymour	D438,631 S	3/2001	Miller
5,393,496 A	2/1995	Seymour	D438,632 S	3/2001	Miller
5,431,880 A	7/1995	Kramer	D438,633 S	3/2001	Miller
D361,842 S	8/1995	Nazareth et al.	6,267,722 B1	7/2001	Anderson et al.
D365,998 S	1/1996	Groothuizen et al.	6,271,045 B1	8/2001	Douglas et al.
D366,529 S *	1/1996	Babaoglu et al. D24/223	D456,082 S	4/2002	Bouse et al.
5,494,646 A	2/1996	Seymour	6,375,896 B1	4/2002	Wuske et al.
D369,868 S	5/1996	Nazareth et al.	6,394,952 B1	5/2002	Anderson et al.
D379,662 S	6/1997	Pearson et al.	2003/0064526 A1 *	4/2003	Niedbala et al. 436/165

* cited by examiner

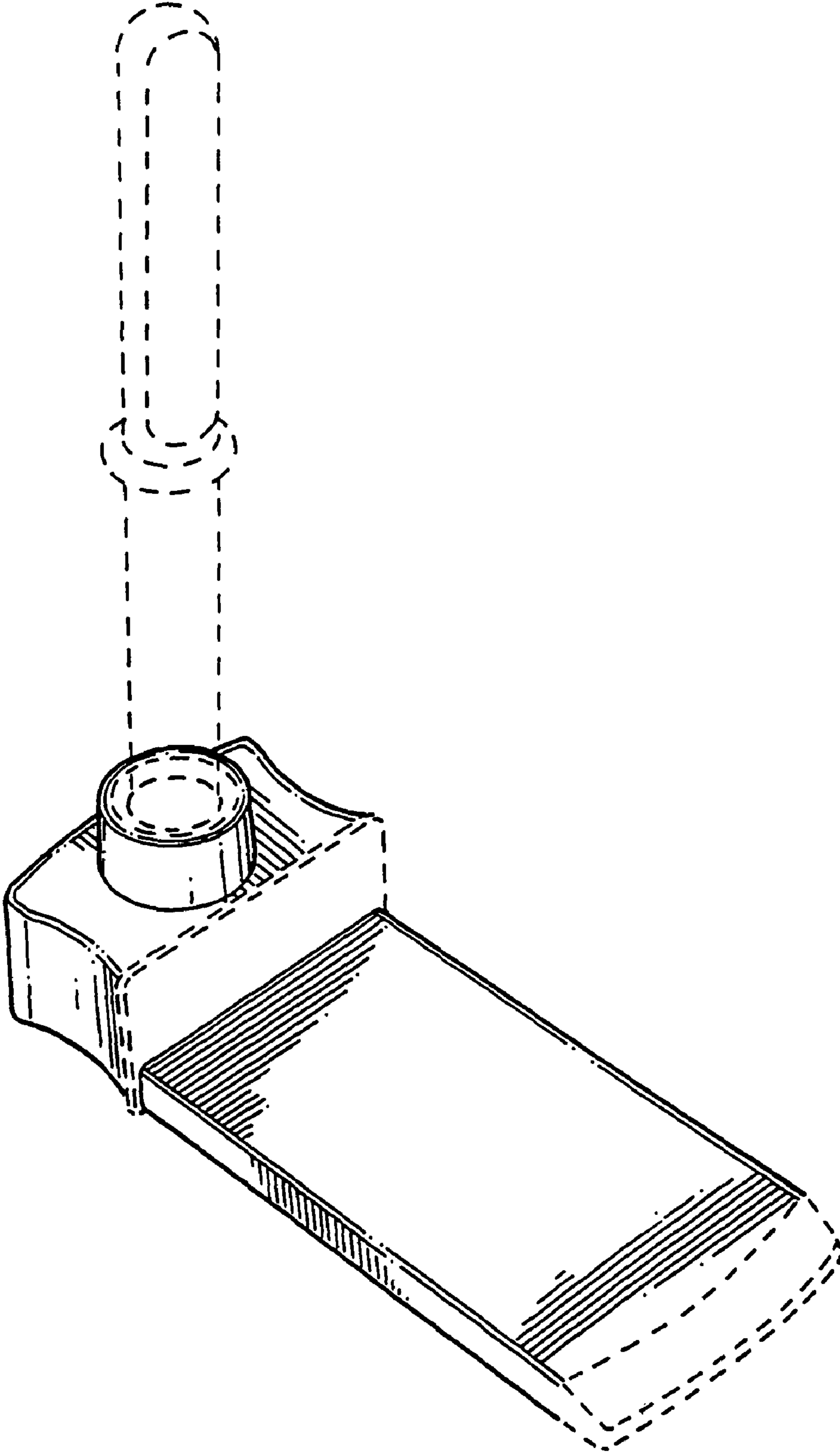


FIG. 1

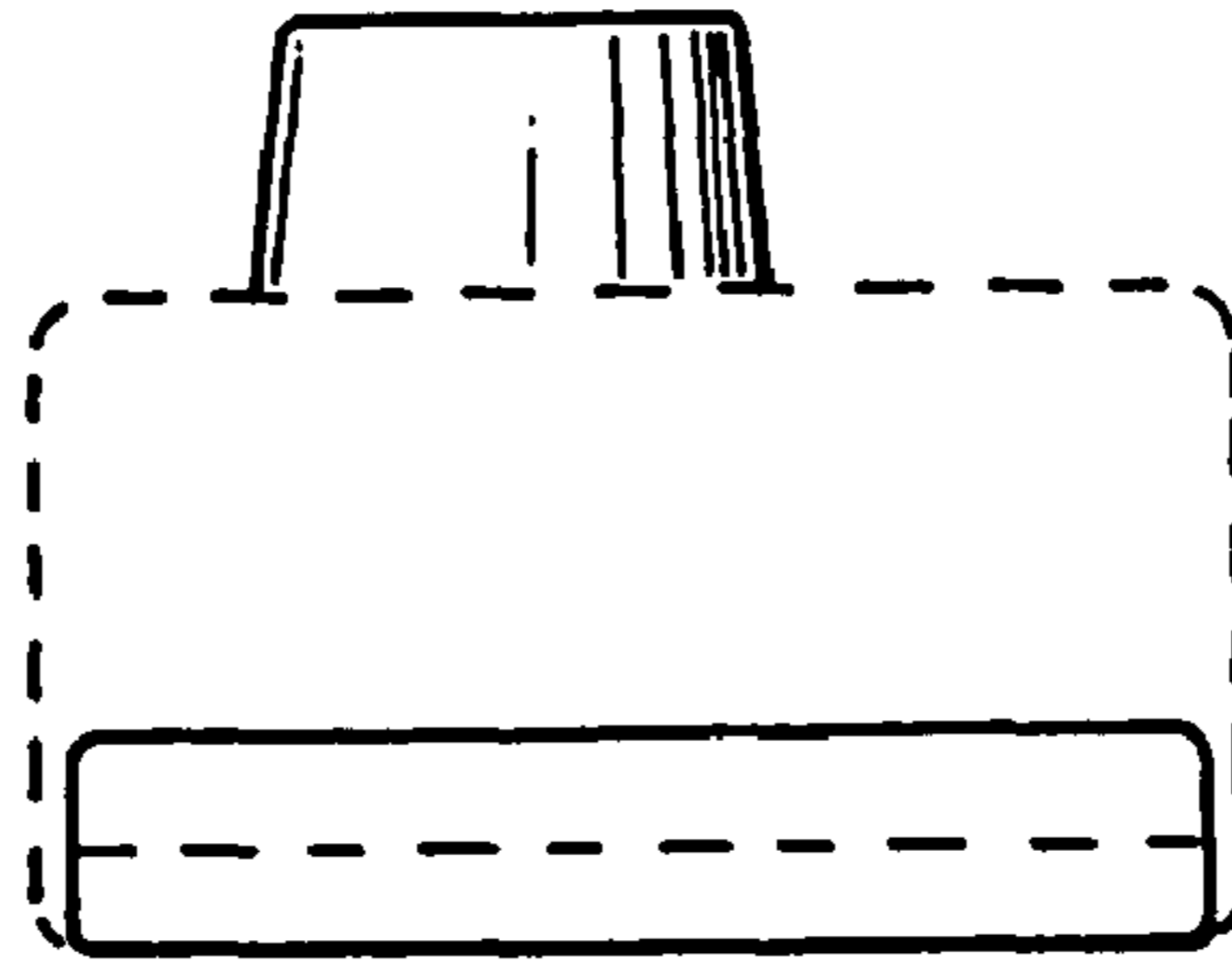


FIG. 2

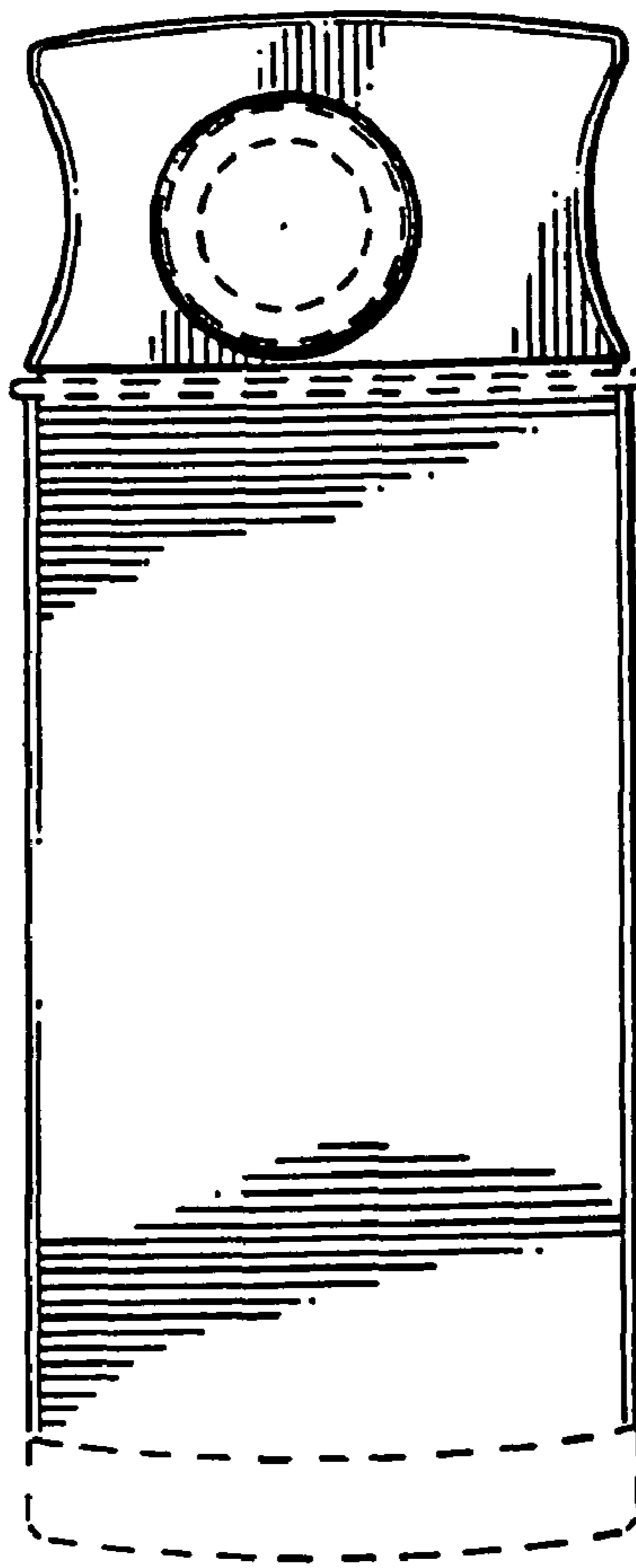


FIG. 3

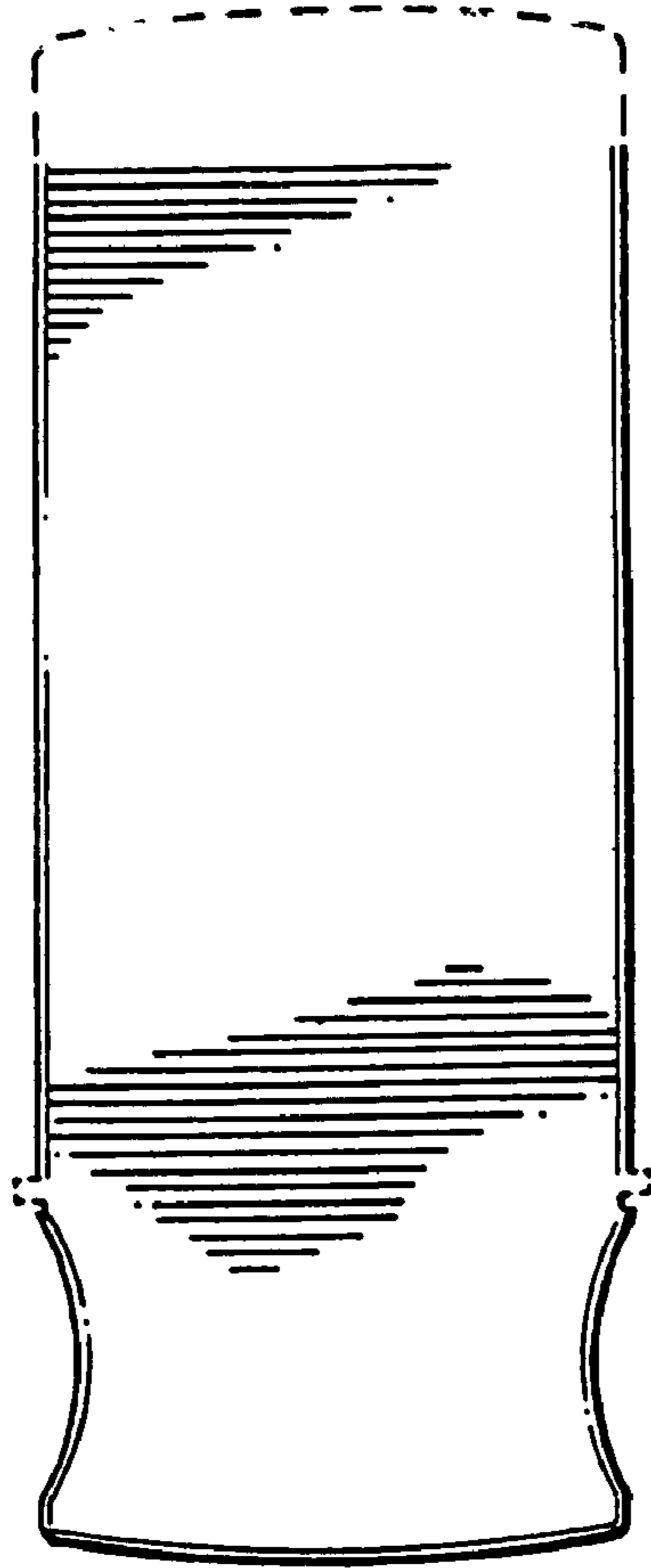


FIG. 4

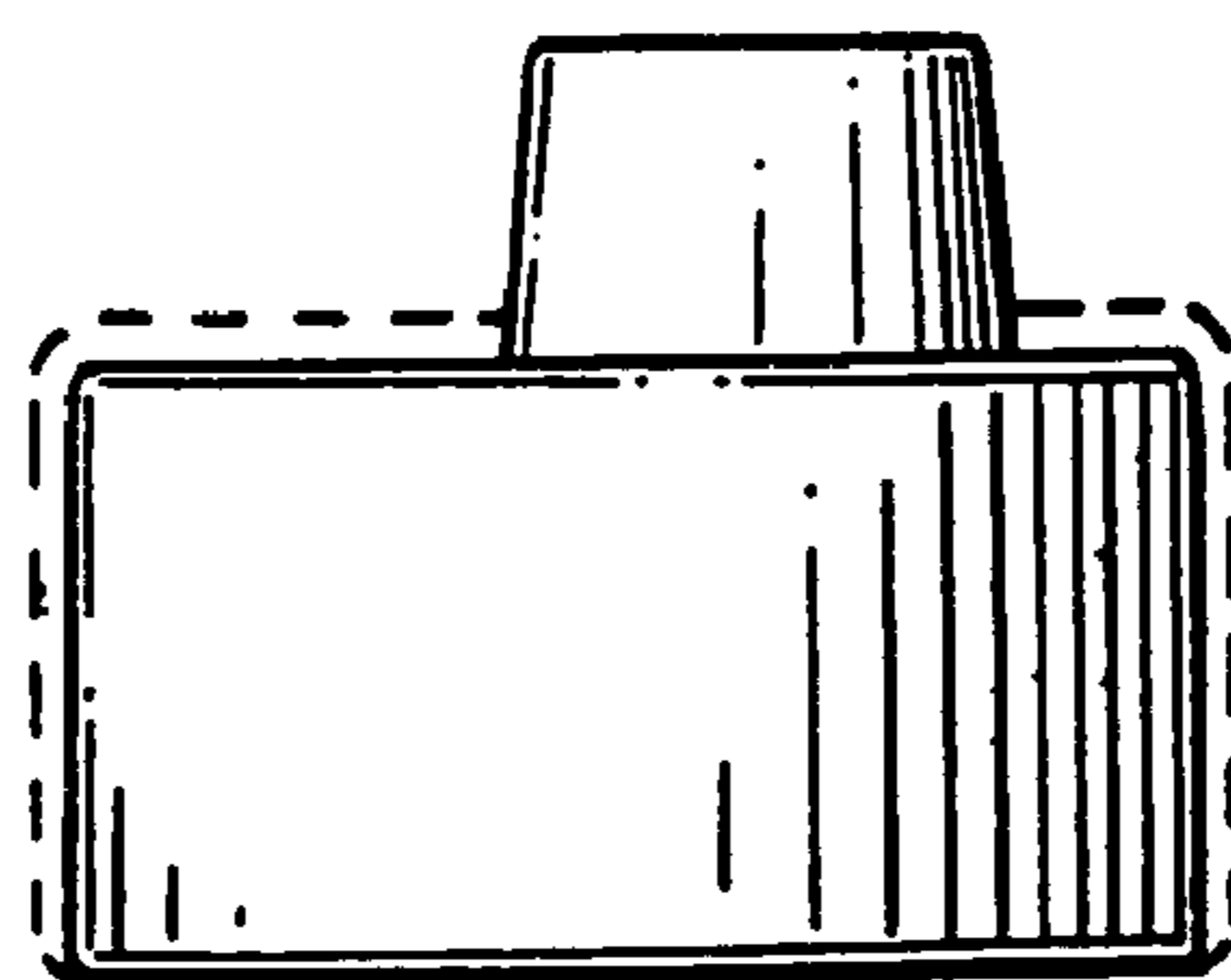


FIG. 5



FIG. 6