

US00D631551S

(12) **United States Design Patent**  
**Nordgren et al.**

(10) **Patent No.:** **US D631,551 S**  
(45) **Date of Patent:** **\*\* Jan. 25, 2011**

(54) **MEDICAL DEVICE**

(75) Inventors: **Peter Nordgren**, Stockholm (SE); **Stina Juhlin**, Gustavsberg (SE); **Magnus Olsson**, Stockholm (SE)

(73) Assignee: **Maquet Critical Care AB** (SE)

(\*\*) Term: **14 Years**

(21) Appl. No.: **29/356,401**

(22) Filed: **Feb. 25, 2010**

**Related U.S. Application Data**

(62) Division of application No. 29/318,052, filed on May 12, 2008.

**Foreign Application Priority Data**

Nov. 13, 2007 (EM) ..... 000825658

(51) **LOC (9) Cl.** ..... **24-01**

(52) **U.S. Cl.** ..... **D24/185**

(58) **Field of Classification Search** ..... D24/107,  
D24/160, 177, 183-186, 231, 232, 234;  
5/601; 52/27, 36.4; 248/278.1; 312/140.1,  
312/197, 209; D23/271; 211/26; 600/102;  
606/1

See application file for complete search history.

(56) **References Cited**

**U.S. PATENT DOCUMENTS**

2,386,092 A \* 10/1945 Cornish ..... 312/197  
D194,033 S \* 11/1962 Graham ..... D24/234  
D198,232 S 5/1964 Maier et al.  
D209,885 S 1/1968 Thomas et al.  
3,451,738 A \* 6/1969 Hobson ..... 312/209  
4,053,193 A \* 10/1977 Grover et al. .... 312/209  
D252,820 S \* 9/1979 Olson ..... D24/234  
4,475,322 A \* 10/1984 Russo et al. .... 52/27  
D287,624 S \* 1/1987 Landan et al. .... D24/185  
4,836,486 A 6/1989 Vossoughi et al.  
5,107,636 A \* 4/1992 Schindele et al. .... 52/27  
5,184,601 A \* 2/1993 Putman ..... 600/102

D361,379 S 8/1995 Sancoff et al.  
D384,415 S 9/1997 Maloney et al.  
D386,158 S 11/1997 Rosen et al.  
5,878,536 A \* 3/1999 Demmitt et al. .... 52/36.4  
6,096,025 A 8/2000 Borders  
D434,502 S 11/2000 Gallant  
D435,852 S 1/2001 Oddsen  
6,179,263 B1 1/2001 Rosen et al.  
D452,911 S 1/2002 Danielsson  
D453,830 S 2/2002 McDowell et al.

(Continued)

**OTHER PUBLICATIONS**

“U.S. Appl. No. 29/318,052 Notice of Allowance mailed Aug. 4, 2010”, 5 pgs.

(Continued)

*Primary Examiner*—Mary Ann Calabrese  
(74) *Attorney, Agent, or Firm*—Schwegman, Lundberg & Woessner, P.A.

(57) **CLAIM**

The ornamental design for a medical device, as shown and described.

**DESCRIPTION**

FIG. 1 is a front, top, left side perspective view of a medical device showing our new design;

FIG. 2 is a front view thereof;

FIG. 3 is a rear view thereof, with the broken lines being portions of the medical device that form no part of the claimed design;

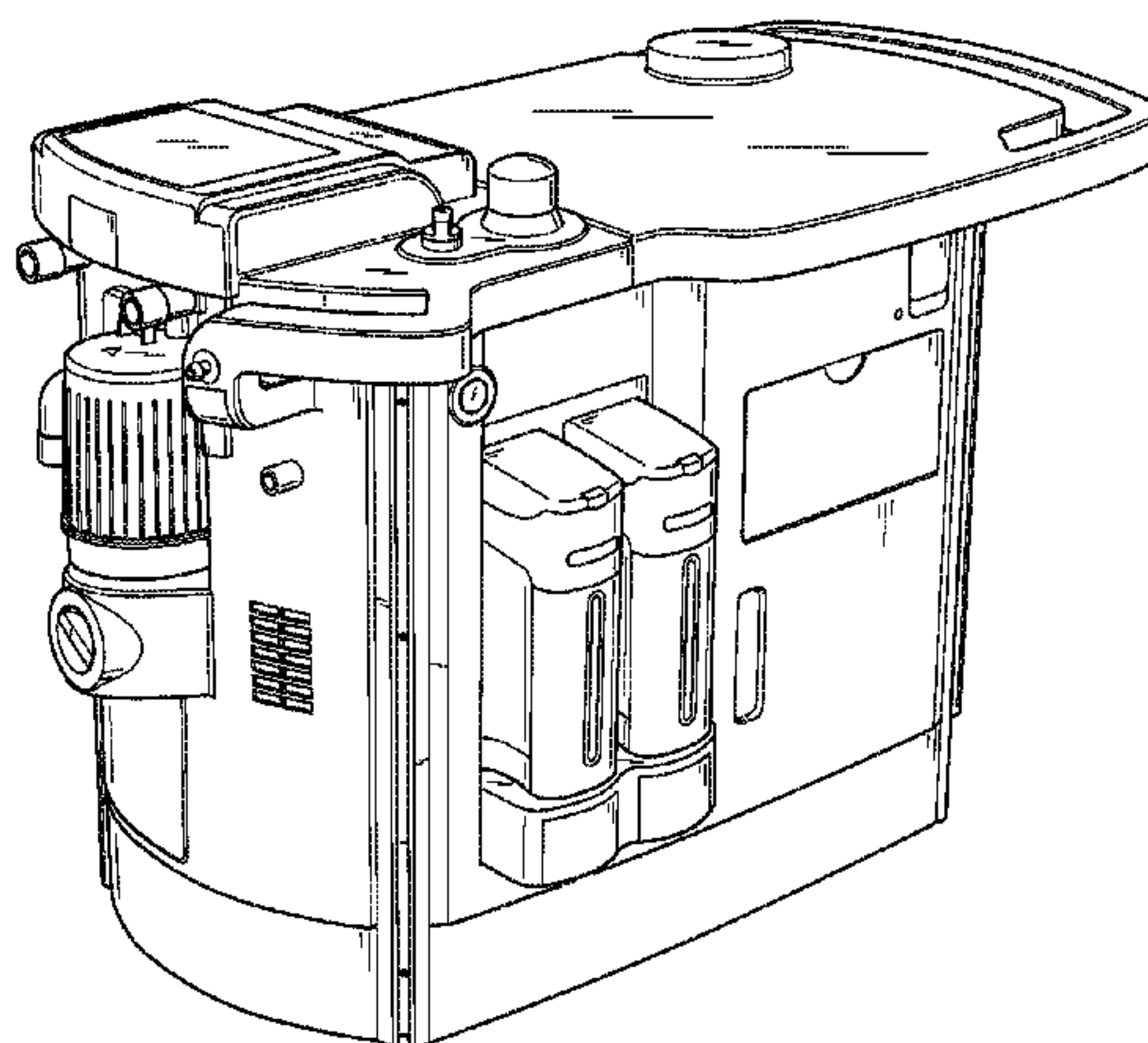
FIG. 4 is a left side view thereof;

FIG. 5 is a right side view thereof;

FIG. 6 is a top, plan view thereof; and,

FIG. 7 is a bottom, plan view thereof, with the broken lines being portions of the medical device that form no part of the claimed design.

**1 Claim, 4 Drawing Sheets**



# US D631,551 S

Page 2

## U.S. PATENT DOCUMENTS

D472,636 S 4/2003 Haynes  
D486,915 S 2/2004 Warschewske et al.  
D517,768 S 3/2006 Arceta  
D532,953 S 11/2006 Lauer et al.  
D534,746 S 1/2007 Rossini et al.  
D556,972 S 12/2007 Whiteside et al.  
D559,662 S 1/2008 Sculler et al.  
D570,068 S 5/2008 Dukes  
D576,373 S 9/2008 Whiteside et al.  
D592,669 S 5/2009 Malisse et al.  
D594,622 S 6/2009 Kissun  
D600,873 S 9/2009 Banasik et al.  
D602,342 S 10/2009 Brassard  
D610,323 S 2/2010 Saladino  
2005/0151336 A1 7/2005 Neuman  
2006/0060735 A1 3/2006 Oddsen et al.  
2006/0103092 A1 5/2006 Strahler et al.  
2009/0015116 A1 1/2009 Arceta et al.  
2009/0070936 A1 3/2009 Henderson et al.  
2009/0173860 A1 7/2009 Remy

2010/0060114 A1\* 3/2010 Baird ..... 312/209

## OTHER PUBLICATIONS

“U.S. Appl. No. 29/318,052, Non-Final Office Action mailed Mar. 17, 2010”, 7 Pgs.  
“U.S. Appl. No. 29/318,052, Response filed Jul. 19, 2010 to Non Final Office Action mailed Mar. 17, 2010”, 5 pgs.  
“U.S. Appl. No. 29/318,052, Response filed Jan. 22, 2010 to Restriction Requirement mailed Nov. 25, 2009”, 5 pgs.  
“U.S. Appl. No. 29/318,052, Restriction Requirement mailed Nov. 25, 2009”, 5 pgs.  
“U.S. Appl. No. 29/356,402, Notice of Allowance mailed Jun. 17, 2010”, 6 pgs.  
“U.S. Appl. No. 29/356,405, Notice of Allowance mailed Jul. 15, 2010”, 7 pgs.  
“U.S. Appl. No. 29/356,410, Non-Final Office Action mailed Jun. 25, 2010”, 6 pgs.  
“U.S. Appl. No. 29/356,410, Preliminary Amendment mailed Mar. 11, 2010”, 3 pgs.

\* cited by examiner

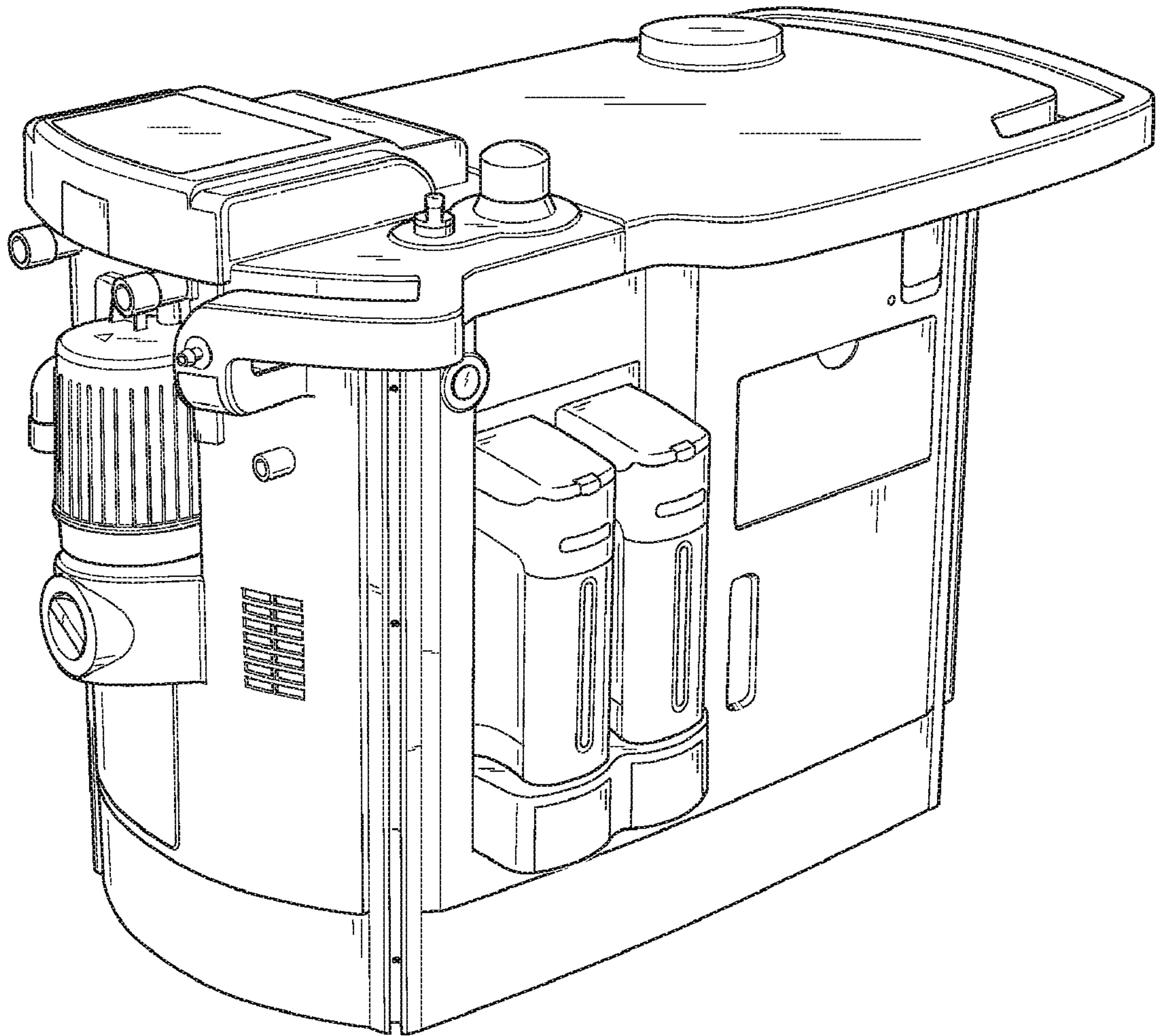


FIG. 1



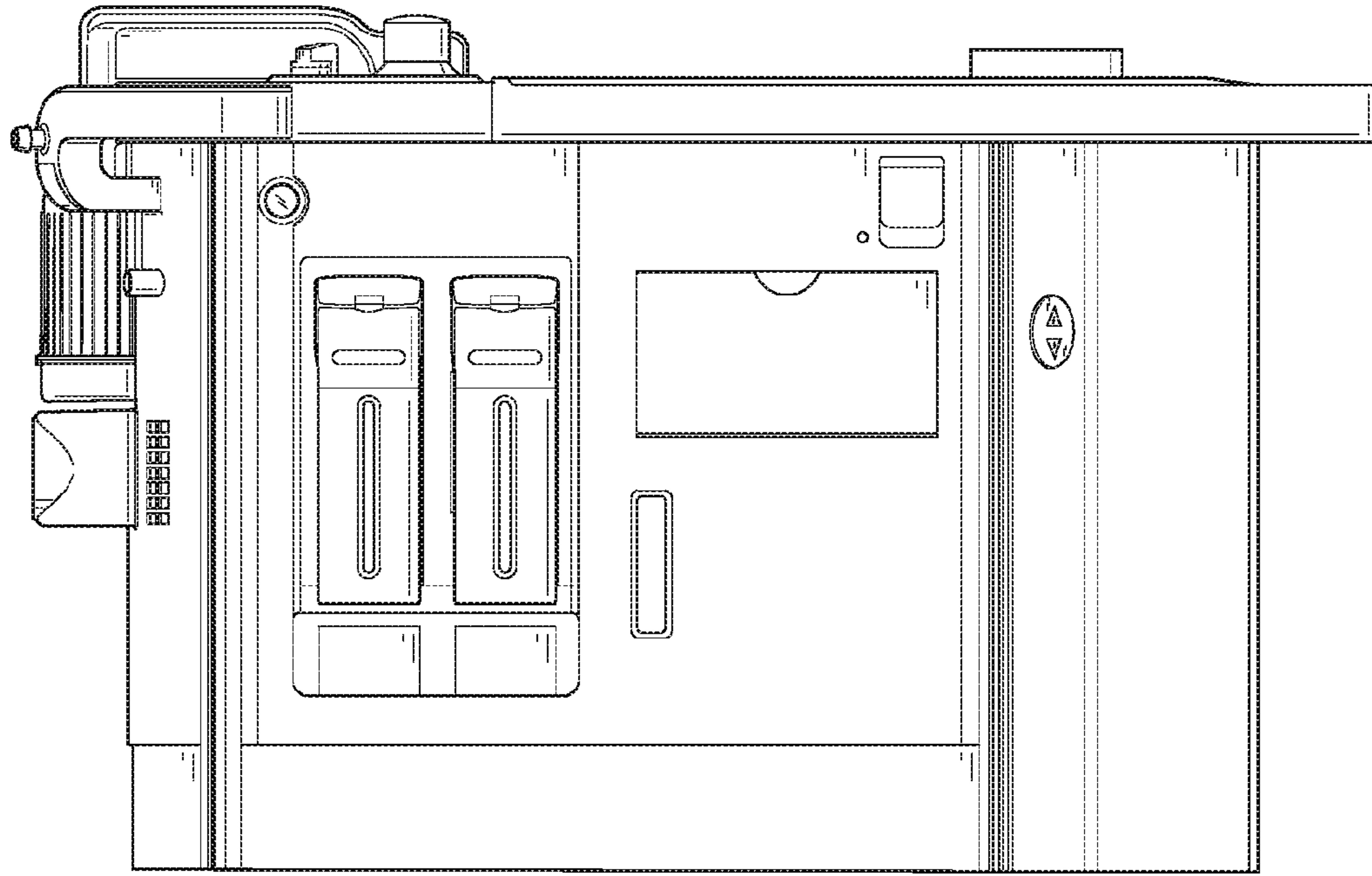


FIG. 2

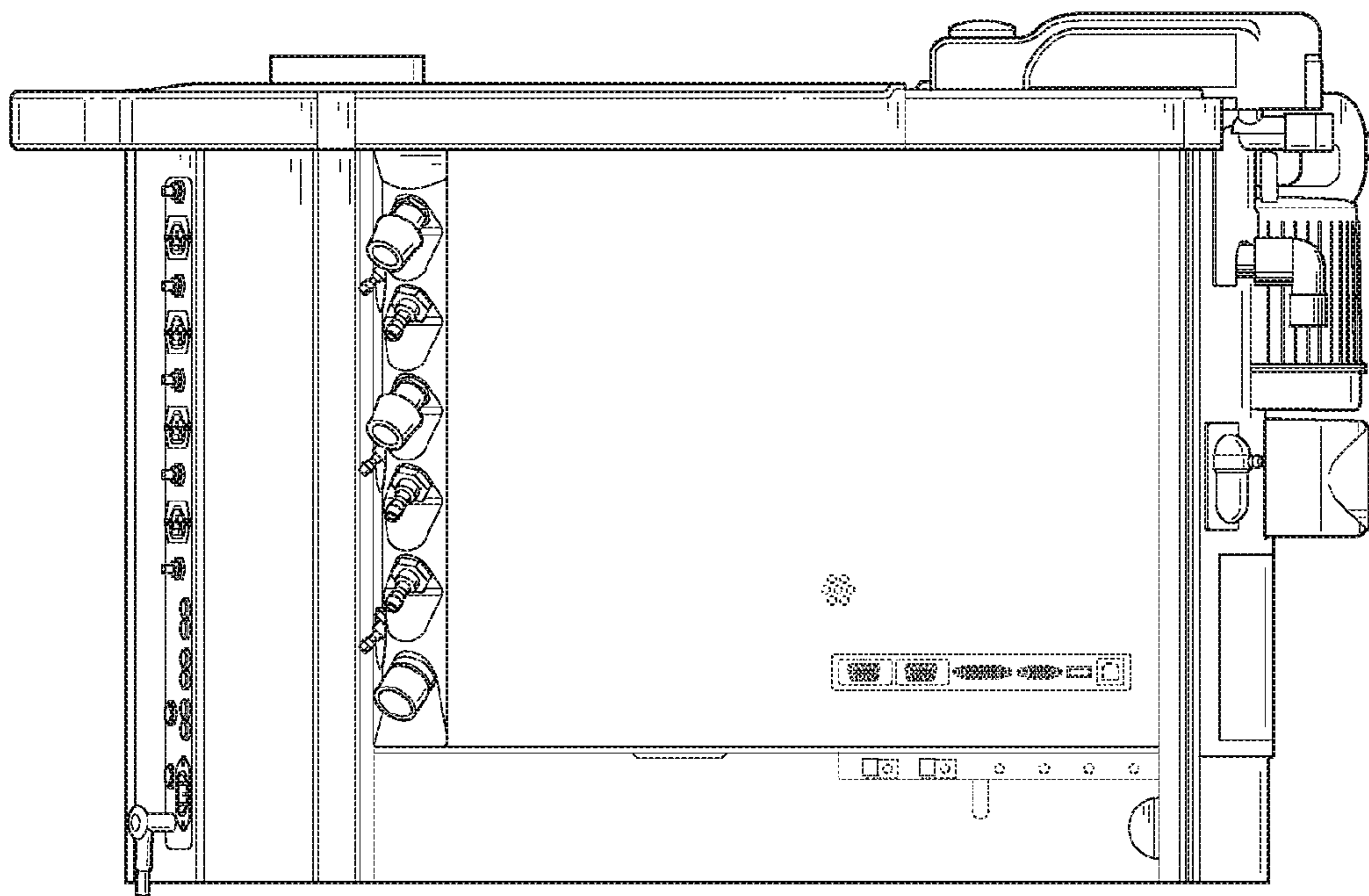


FIG. 3

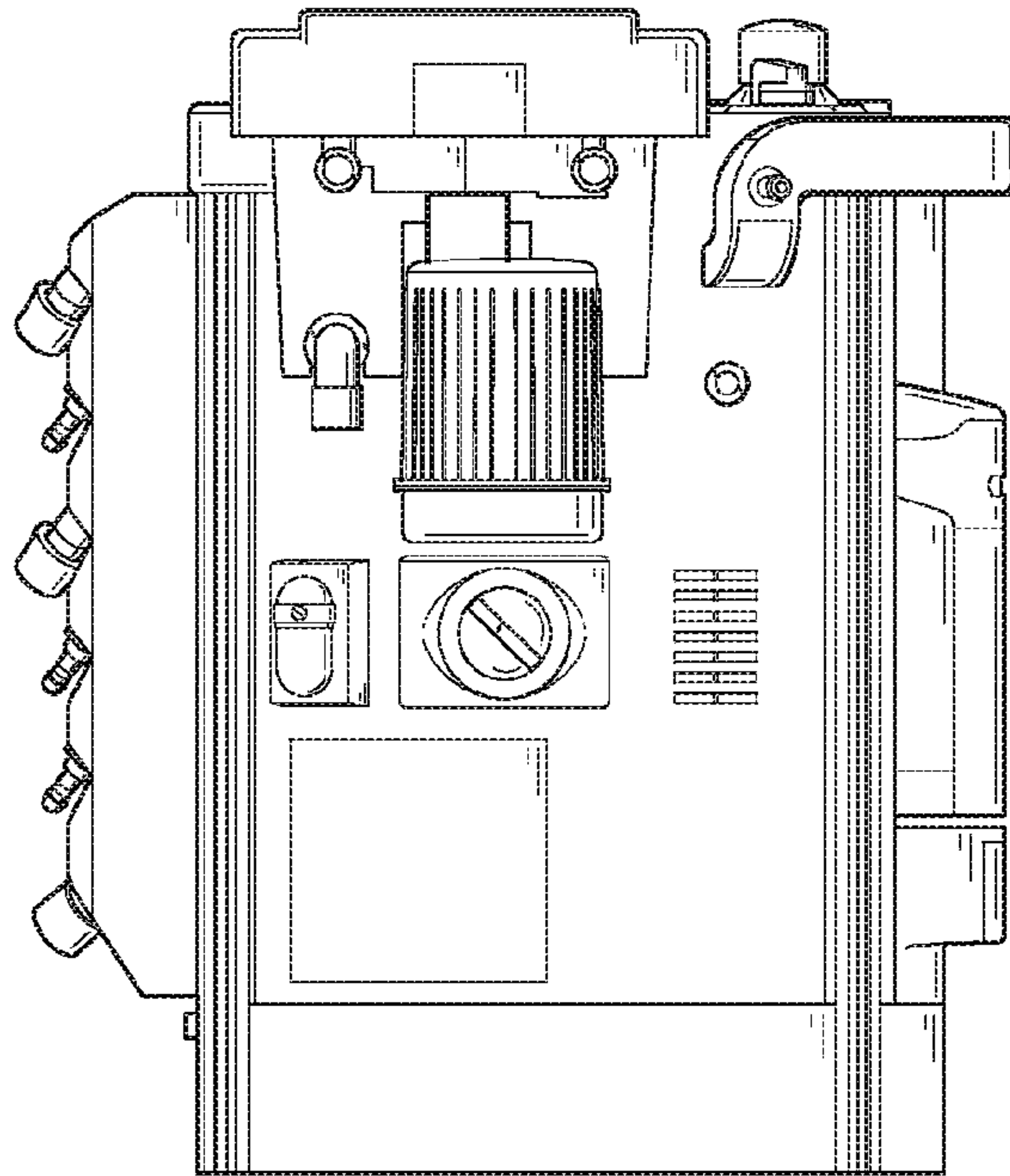


FIG. 4

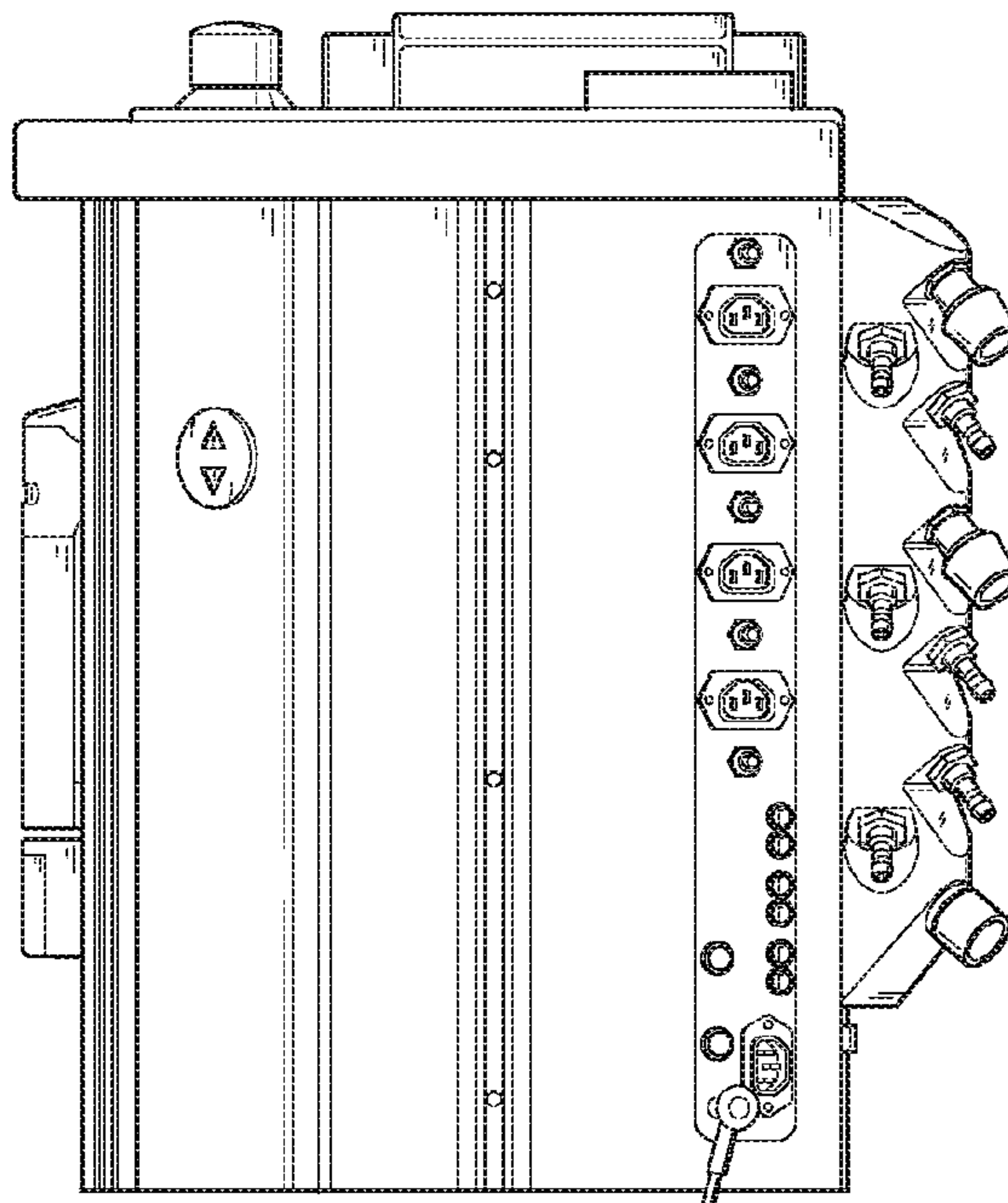


FIG. 5

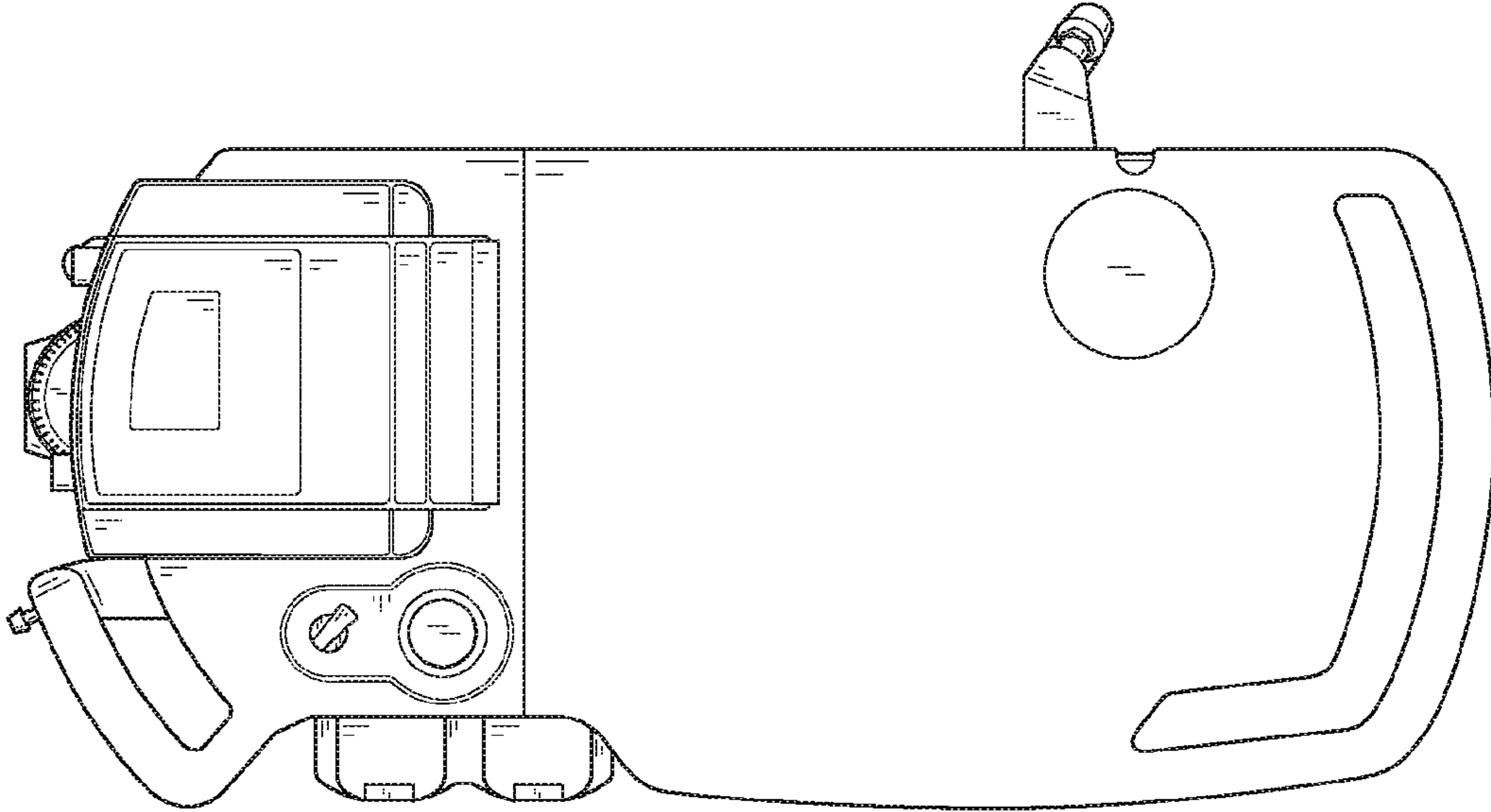


FIG. 6

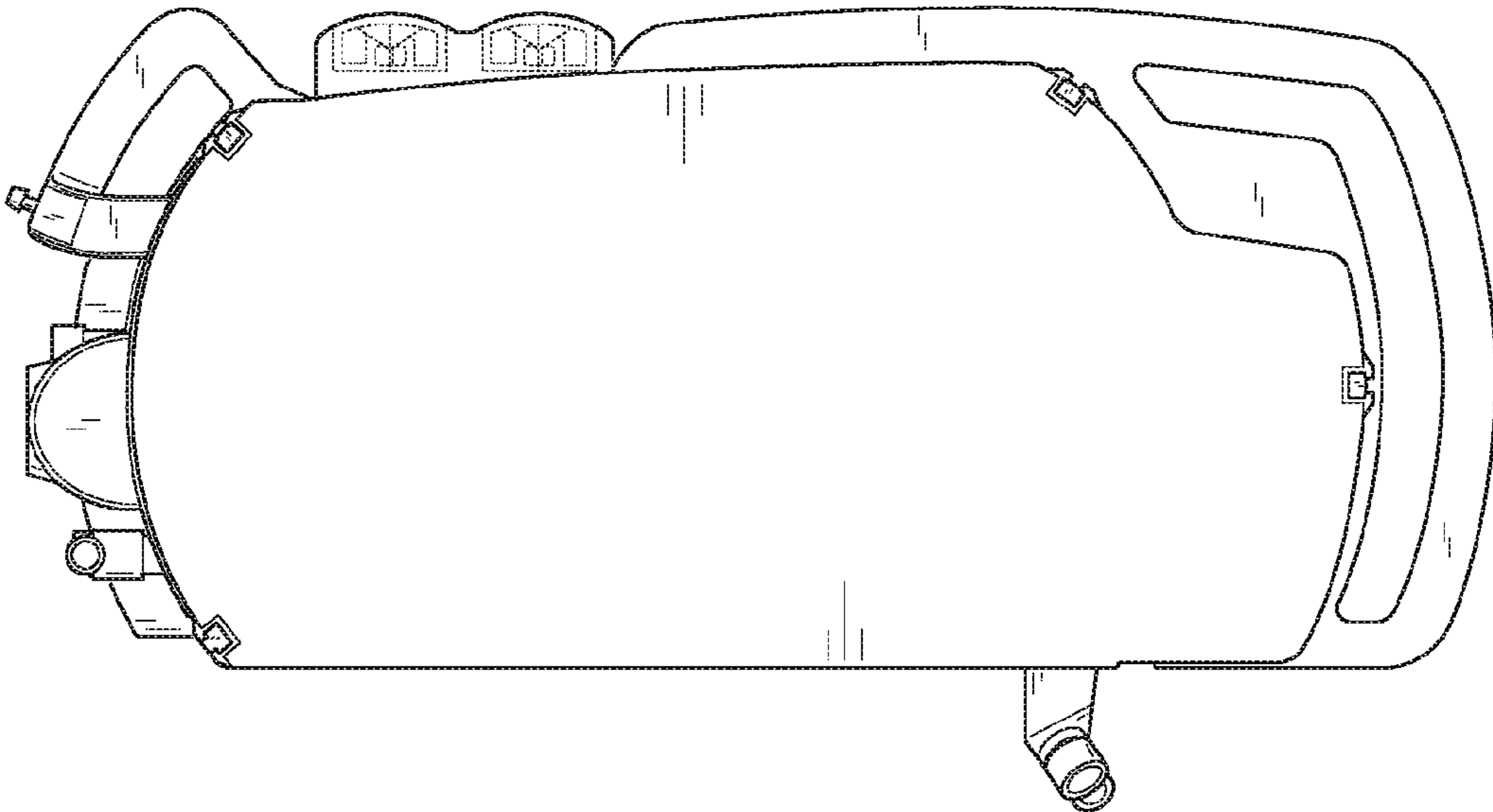


FIG. 7