



US00D631546S

(12) **United States Design Patent**
Gao

(10) **Patent No.:** **US D631,546 S**
(45) **Date of Patent:** **** Jan. 25, 2011**

(54) **MEDICAL ROD CUTTER**

(75) Inventor: **Hua Gao**, Fox Point, WI (US)

(73) Assignee: **Bradshaw Medical, Inc.**, Kenosha, WI (US)

(**) Term: **14 Years**

(21) Appl. No.: **29/349,083**

(22) Filed: **Mar. 8, 2010**

(51) **LOC (9) Cl.** **24-02**

(52) **U.S. Cl.** **D24/146; D8/52**

(58) **Field of Classification Search** D24/138,
D24/140, 143, 142, 144, 145, 147; 606/157,
606/158, 159, 176, 182; D8/60, 52

See application file for complete search history.

(56) **References Cited**

U.S. PATENT DOCUMENTS

5,836,937	A *	11/1998	Holmes	606/1
6,058,820	A *	5/2000	Rinner	83/200
D621,043	S *	8/2010	Schmal et al.	D24/147
2008/0000091	A1 *	1/2008	Eriguchi	30/90.1

* cited by examiner

Primary Examiner—Charles A Rademaker

Assistant Examiner—Carissa C Fitts

(74) *Attorney, Agent, or Firm*—Arthur J. Hansmann

(57) **CLAIM**

I claim the ornamental design for a medical rod cutter, as shown and described.

DESCRIPTION

FIG. 1 is a rear perspective view of a medical rod cutter showing my new design;

FIG. 2 is a left side elevation view thereof;

FIG. 3 is a top plan view thereof;

FIG. 4 is a bottom plan view thereof;

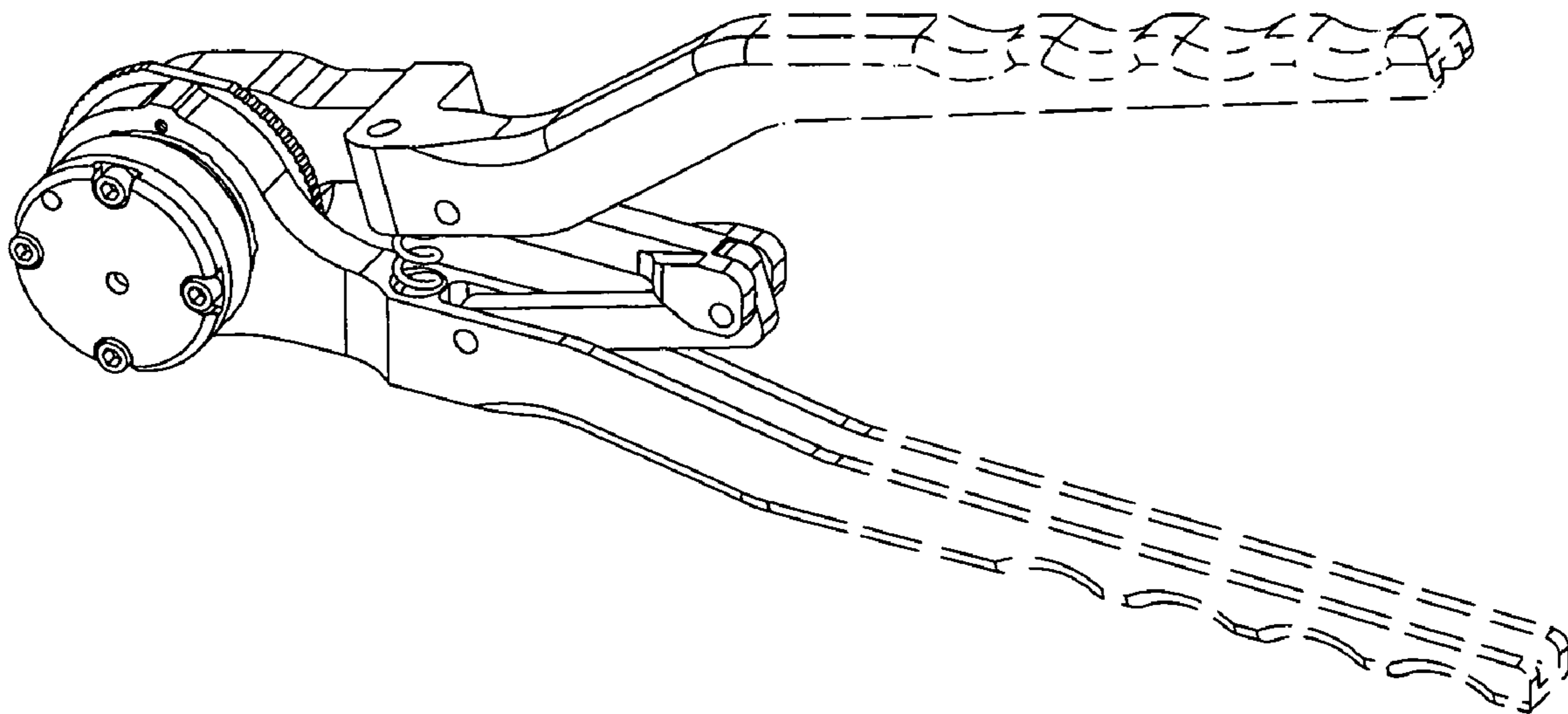
FIG. 5 is a front elevation view thereof;

FIG. 6 is a rear elevation view thereof; and,

FIG. 7 is right side elevation view thereof.

The broken lines shown in the drawings are for illustrative purposed only and form no part of the claimed design.

1 Claim, 3 Drawing Sheets



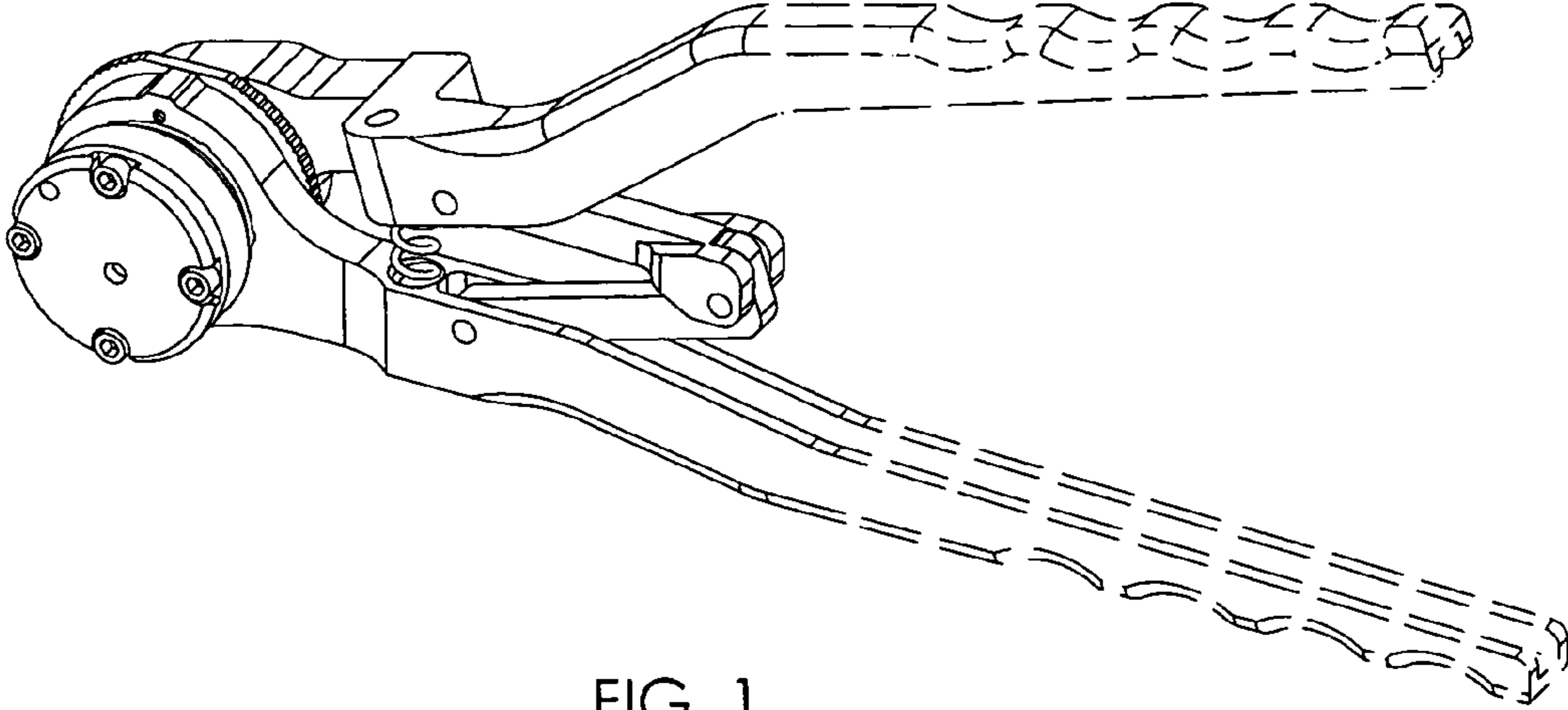


FIG. 1

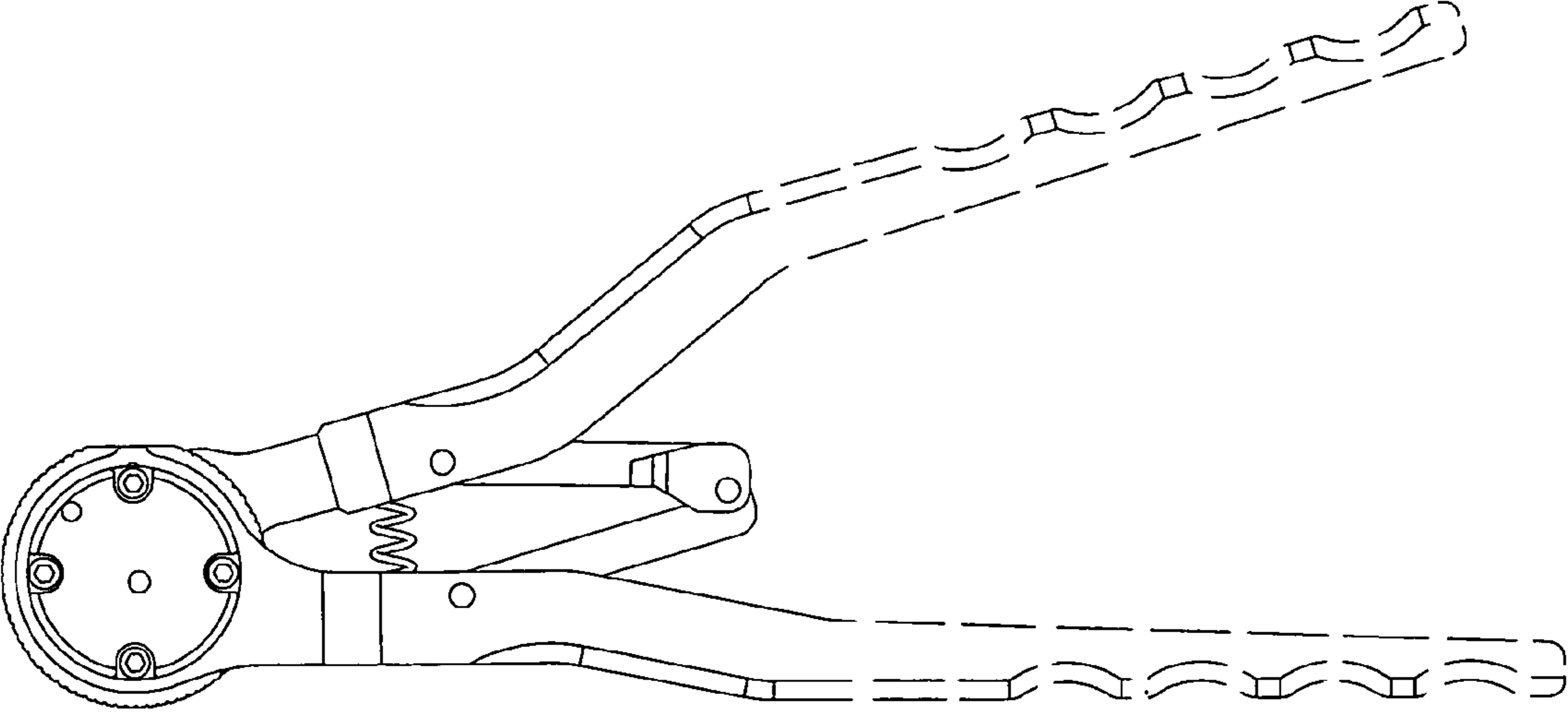


FIG. 2

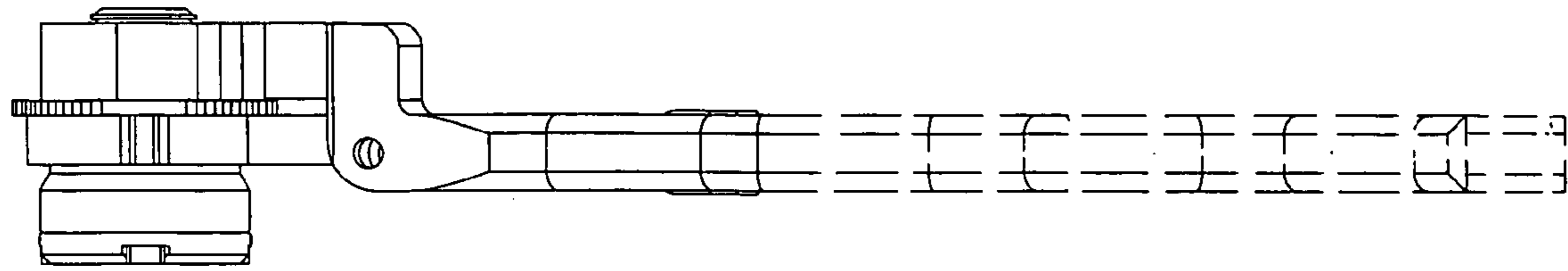


FIG. 3

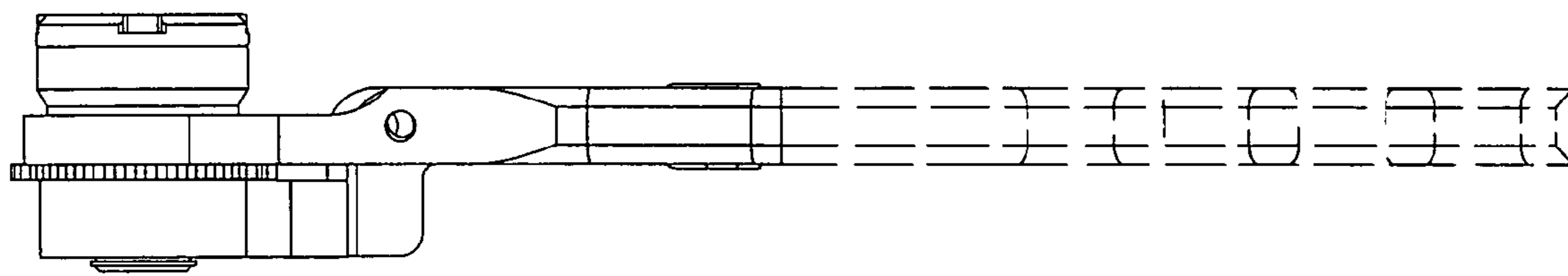


FIG. 4

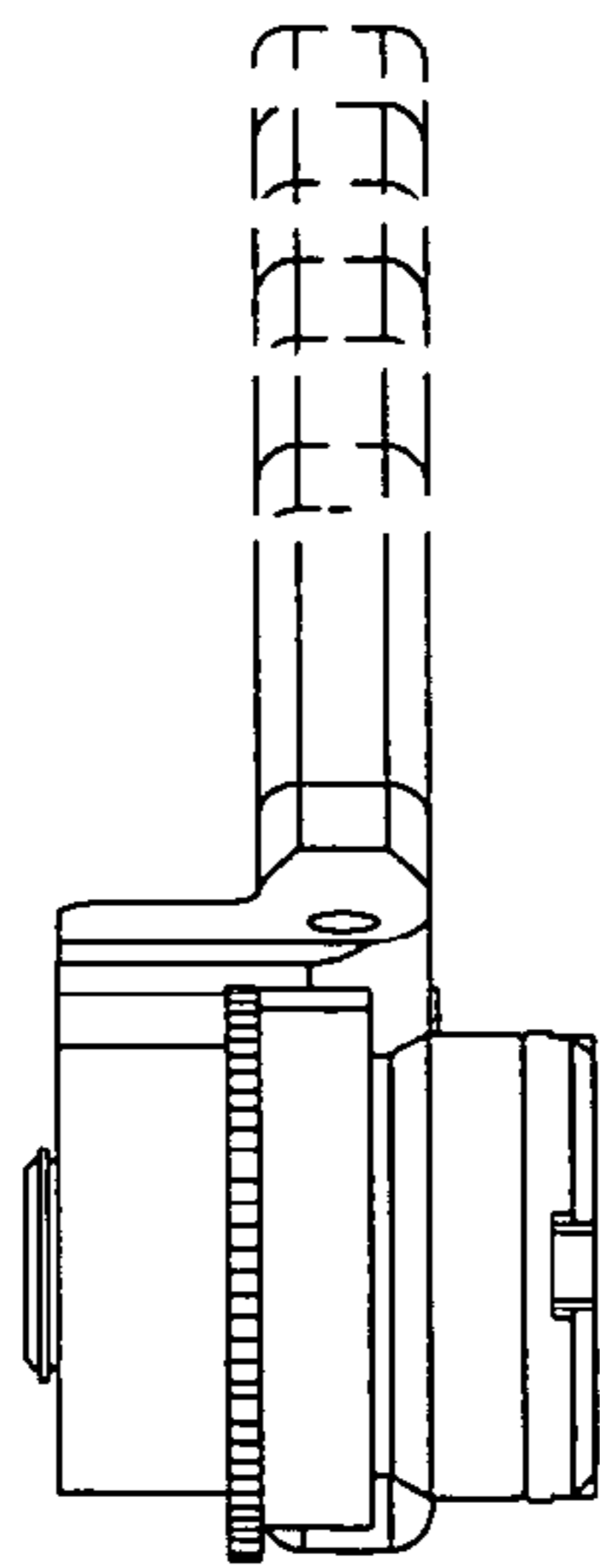


FIG. 5

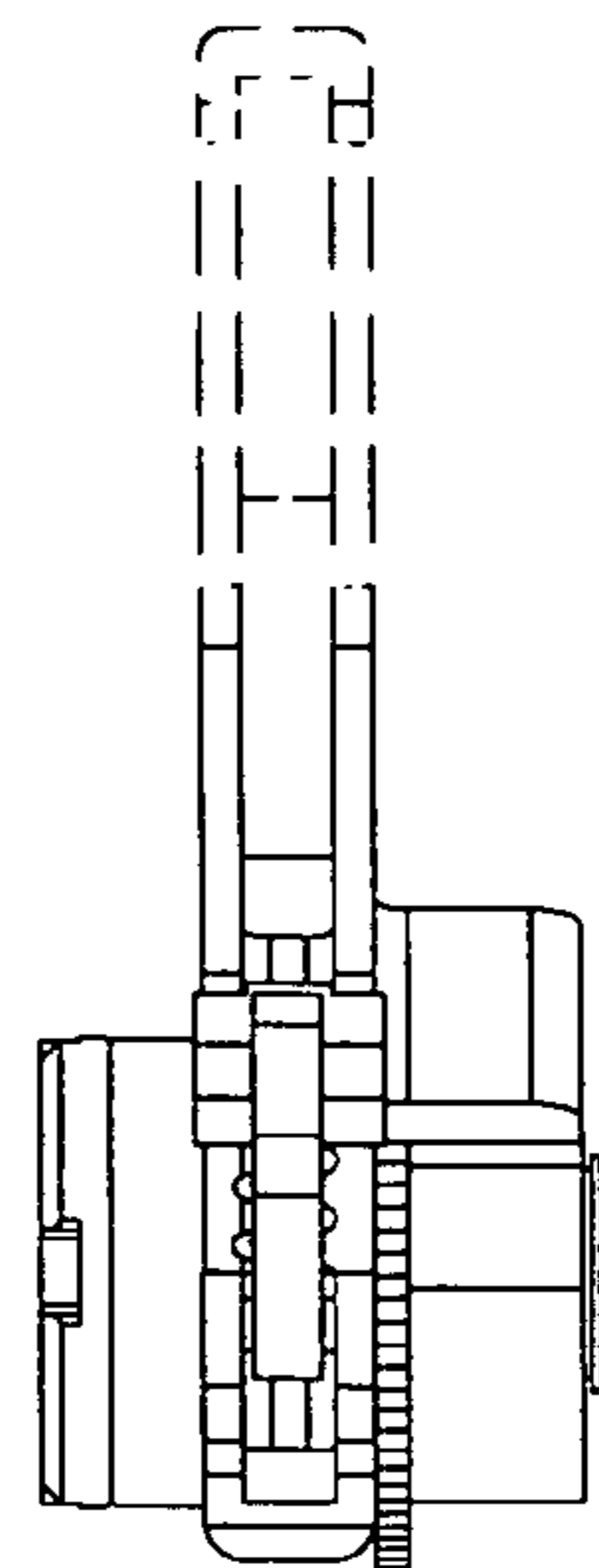


FIG. 6

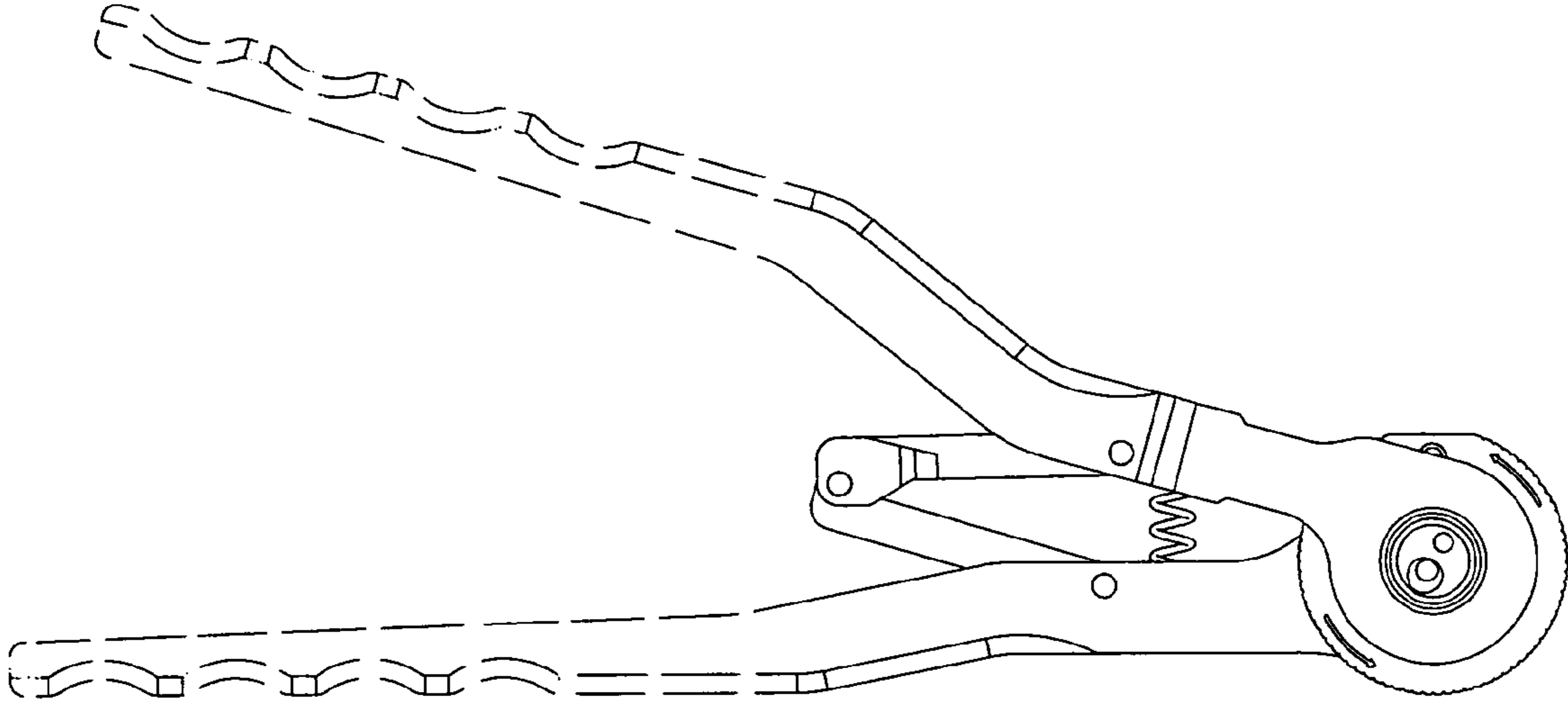


FIG. 7