



US00D631545S

(12) **United States Design Patent**
Halder et al.

(10) **Patent No.:** **US D631,545 S**
(45) **Date of Patent:** **** Jan. 25, 2011**

(54) **BRONCOSCOPE**

(75) Inventors: **Raimund Halder**, Engen (DE); **Kevin Pilz**, Tuttlingen (DE)

(73) Assignee: **Karl Storz GmbH & Co. KG** (DE)

(**) Term: **14 Years**

(21) Appl. No.: **29/353,834**

(22) Filed: **Jan. 14, 2010**

(30) **Foreign Application Priority Data**

Jul. 14, 2009 (EM) 001581810-0020

(51) **LOC (9) Cl.** **24-02**

(52) **U.S. Cl.** **D24/137**

(58) **Field of Classification Search** D24/138,
D24/137, 133; 600/101-183
See application file for complete search history.

(56) **References Cited**

U.S. PATENT DOCUMENTS

3,368,552	A *	2/1968	Bottcher	600/107
D254,270	S *	2/1980	Ziegler	D24/138
5,383,876	A *	1/1995	Nardella	606/49
D367,324	S *	2/1996	McCarthy et al.	D24/112
D420,131	S *	2/2000	Renner et al.	D24/138
D497,990	S *	11/2004	Jutila	D24/114
D534,276	S *	12/2006	Michel	D24/138
7,144,424	B2 *	12/2006	Steenlage	623/13.14
D536,790	S *	2/2007	Michel et al.	D24/137
7,658,711	B2 *	2/2010	Klemm	600/182
D611,599	S *	3/2010	Eisenkolb	D24/138

2009/0281388 A1* 11/2009 Ito 600/121
2010/0100100 A1* 4/2010 Refai et al. 606/99

OTHER PUBLICATIONS

Storz Advertising Literature—"The World of Endoscopy: Endoscopes and Instruments For Ent Esophagoscopy—Bronchoscopy"; 8th Edition Feb. 2009;2 pages.

* cited by examiner

Primary Examiner—Bridget L Eland

(74) *Attorney, Agent, or Firm*—St. Onge Steward Johnston & Reens LLC

(57) **CLAIM**

The ornamental design for a bronchoscope, as shown and described.

DESCRIPTION

FIG. 1 is a left side perspective view of a bronchoscope in accordance with the new design;

FIG. 2 is a left side elevation view thereof;

FIG. 3 is a right side elevation view thereof;

FIG. 4 is a top plan view thereof;

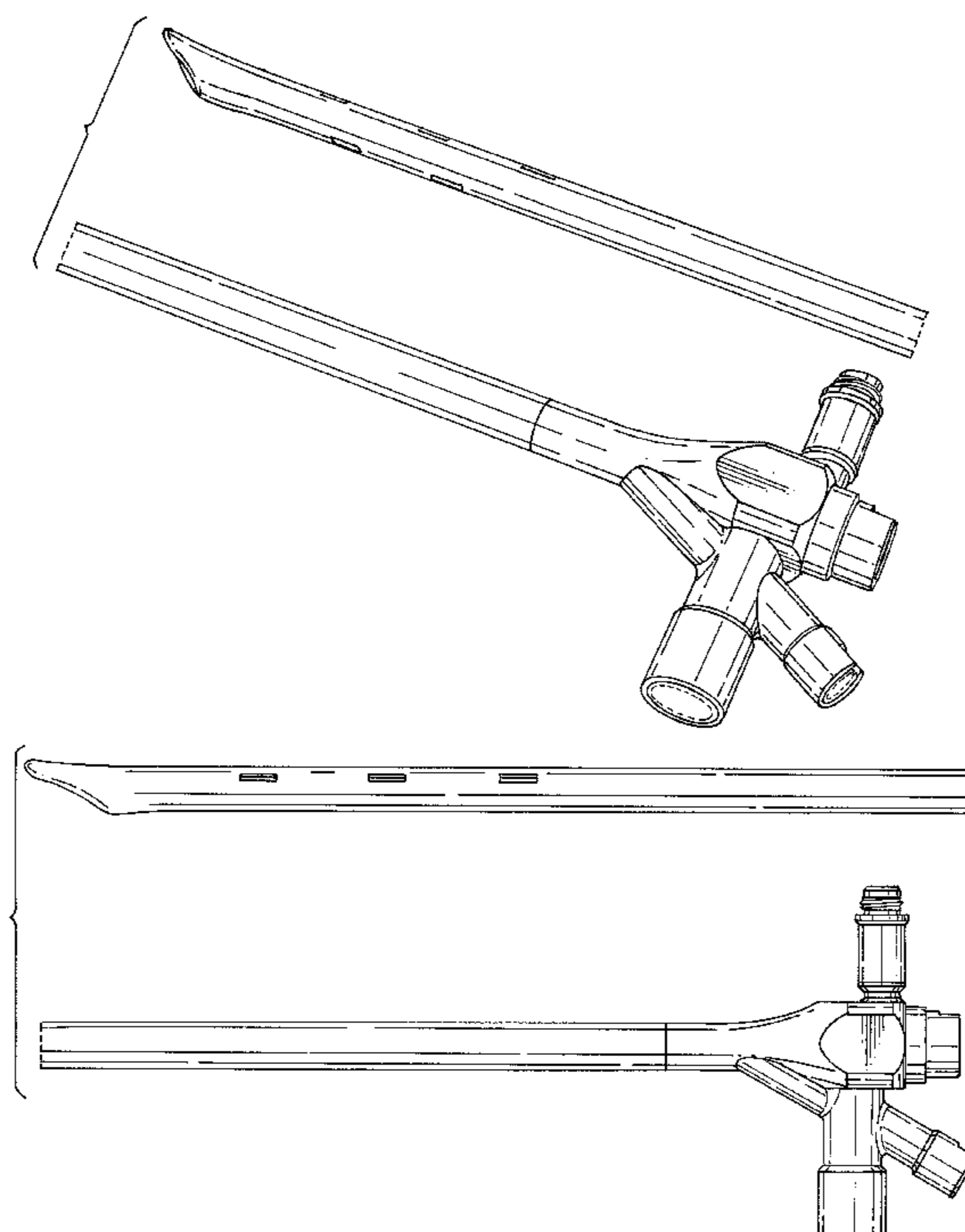
FIG. 5 is a bottom plan view thereof;

FIG. 6 is a front elevation view thereof; and,

FIG. 7 is a rear elevation view thereof.

The broken lines immediately adjacent the claimed areas represent the bounds of the claimed design while all other broken lines are directed to environment and are for illustrative purposes only; the broken lines form no part of the claimed design.

1 Claim, 7 Drawing Sheets



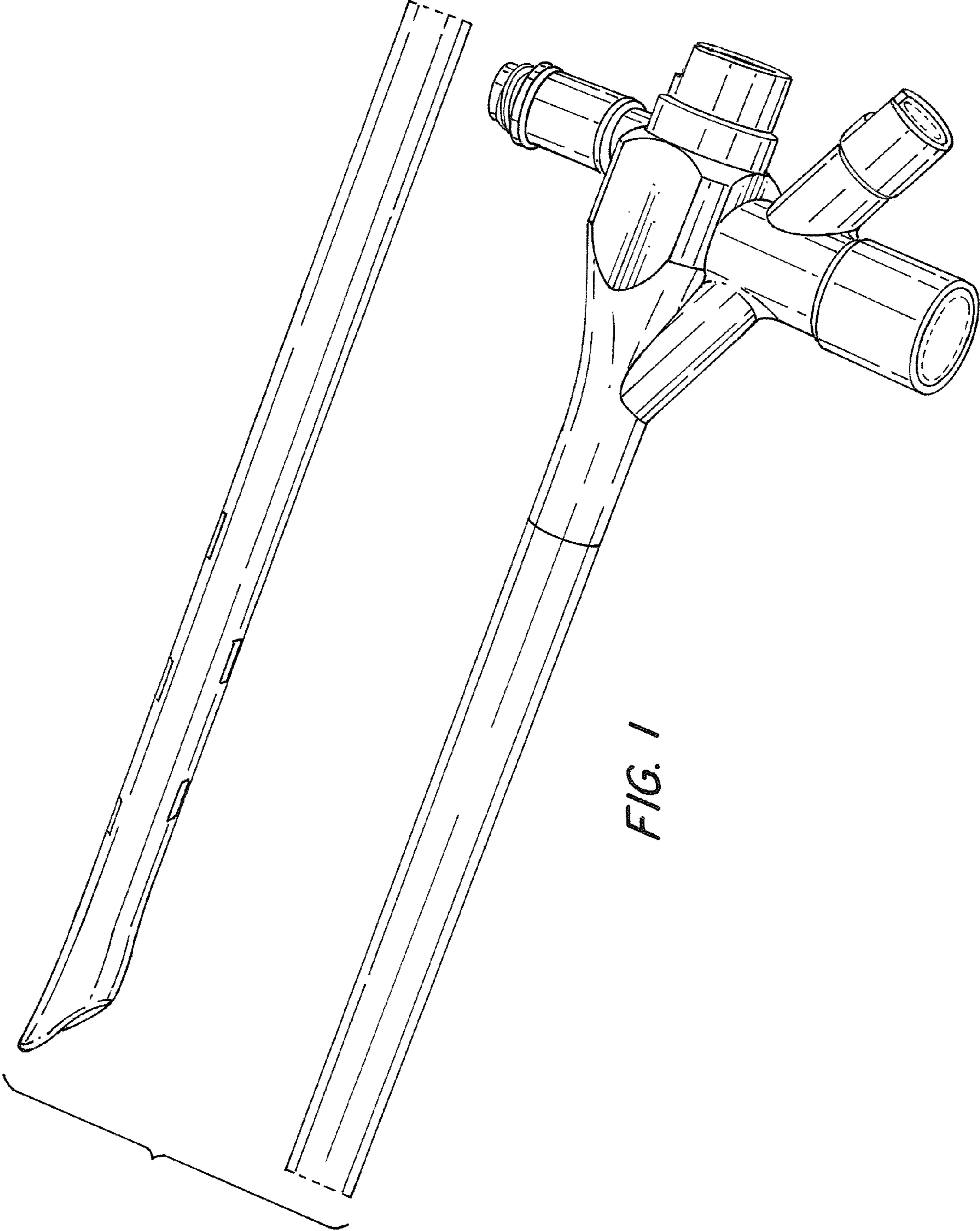


FIG. 1

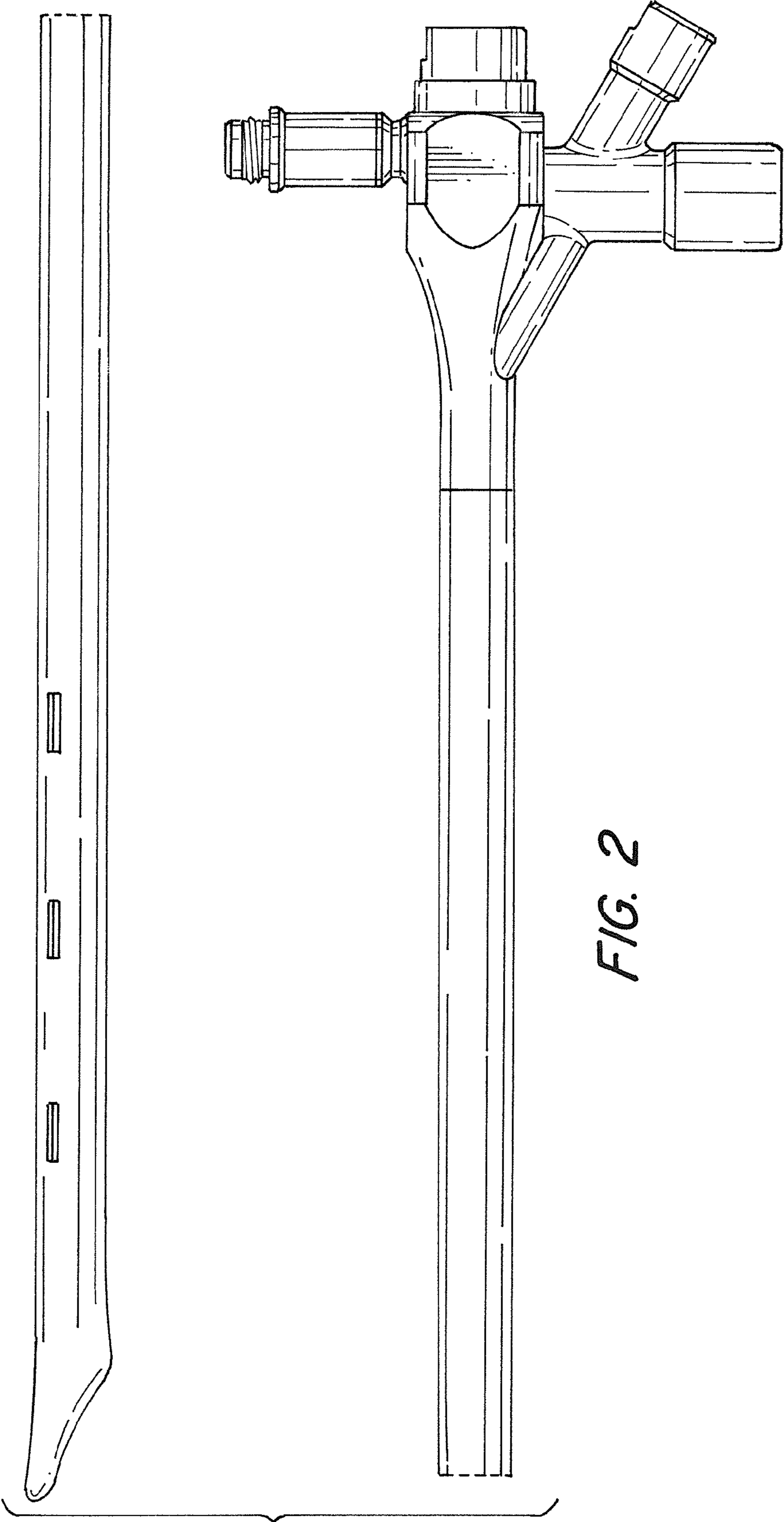


FIG. 2

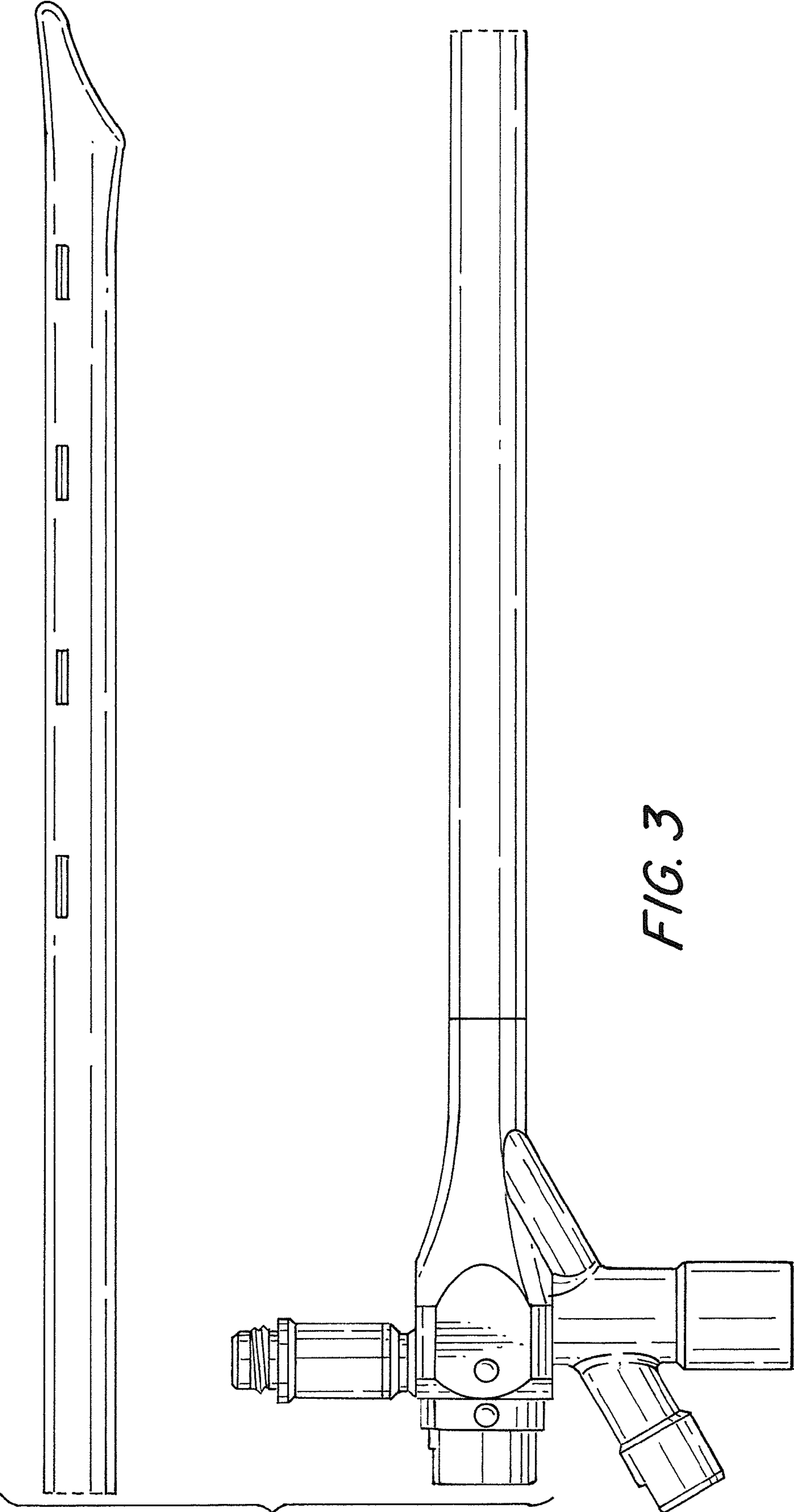


FIG. 3

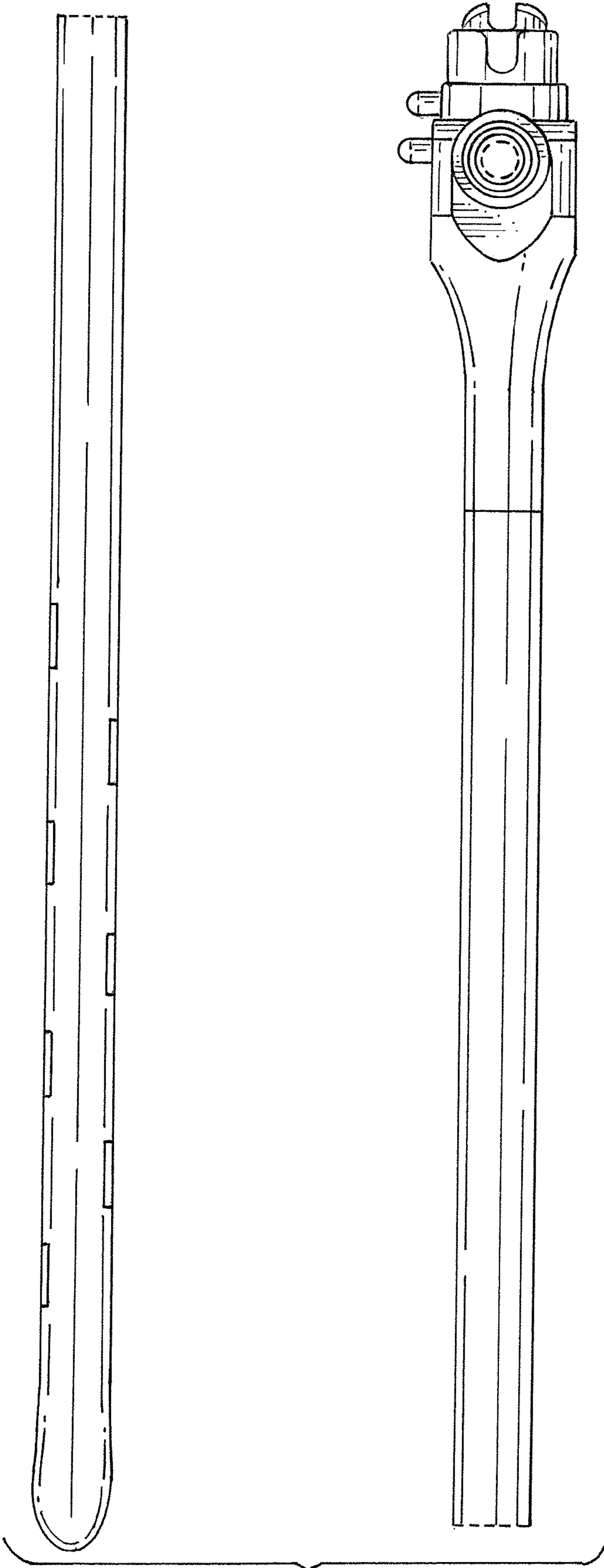


FIG. 4

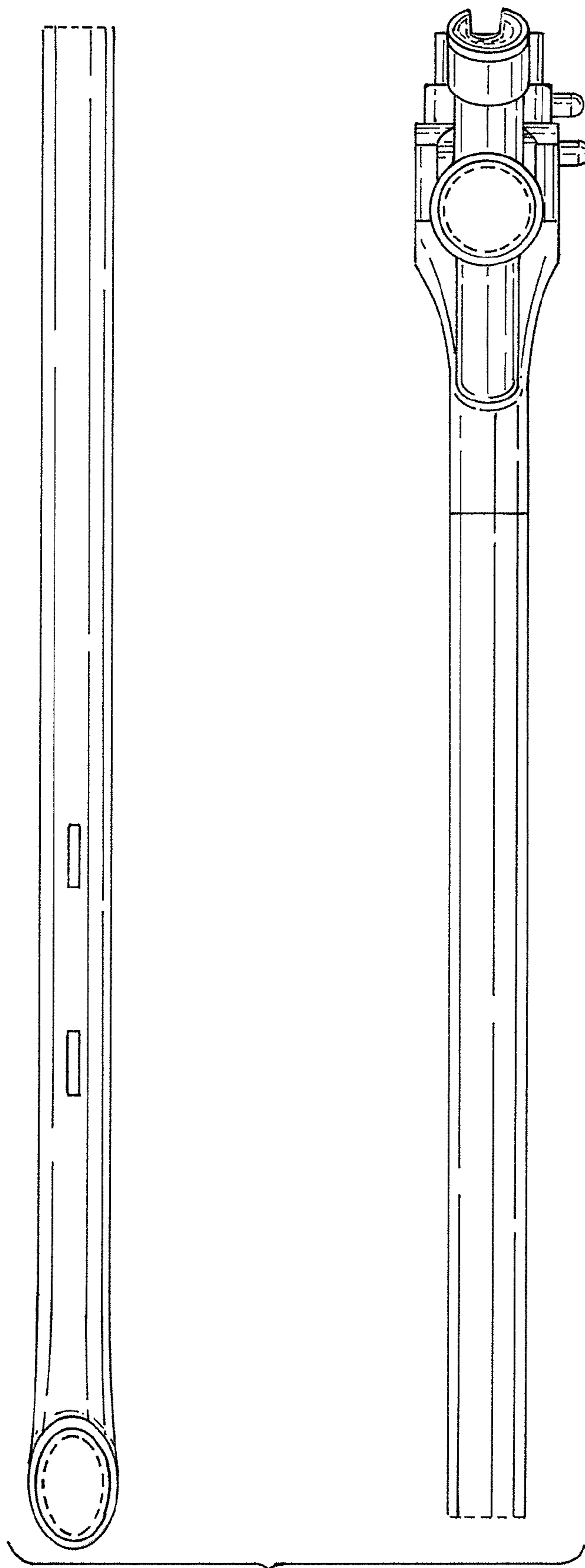


FIG. 5

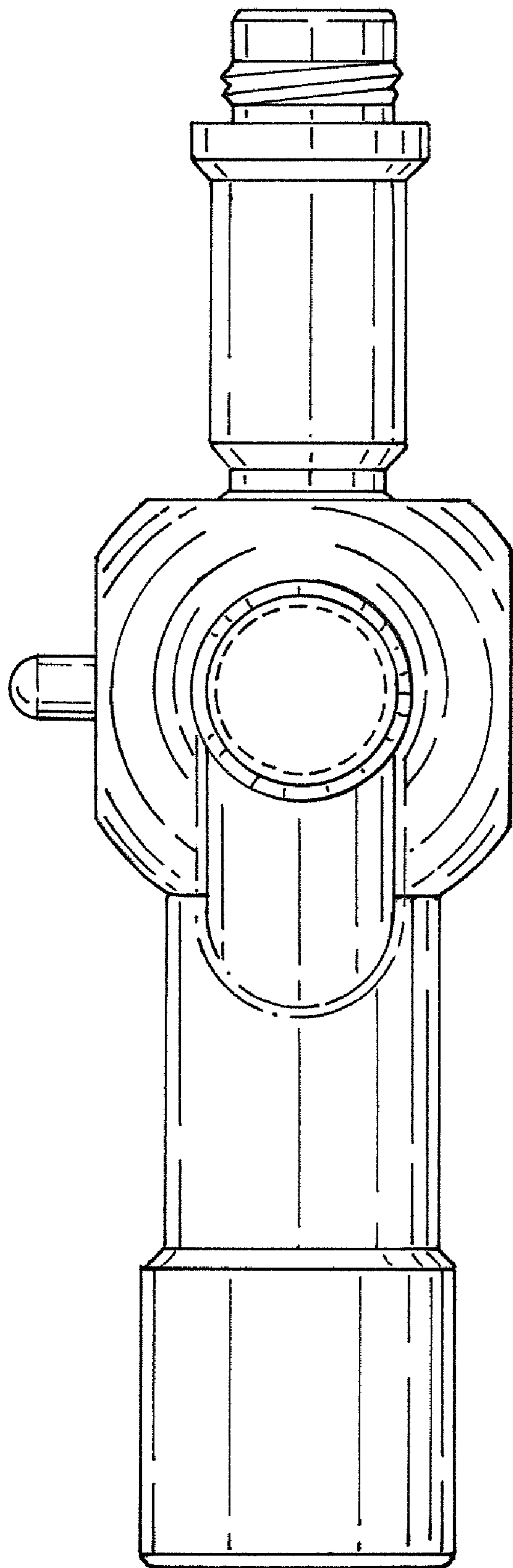


FIG. 6

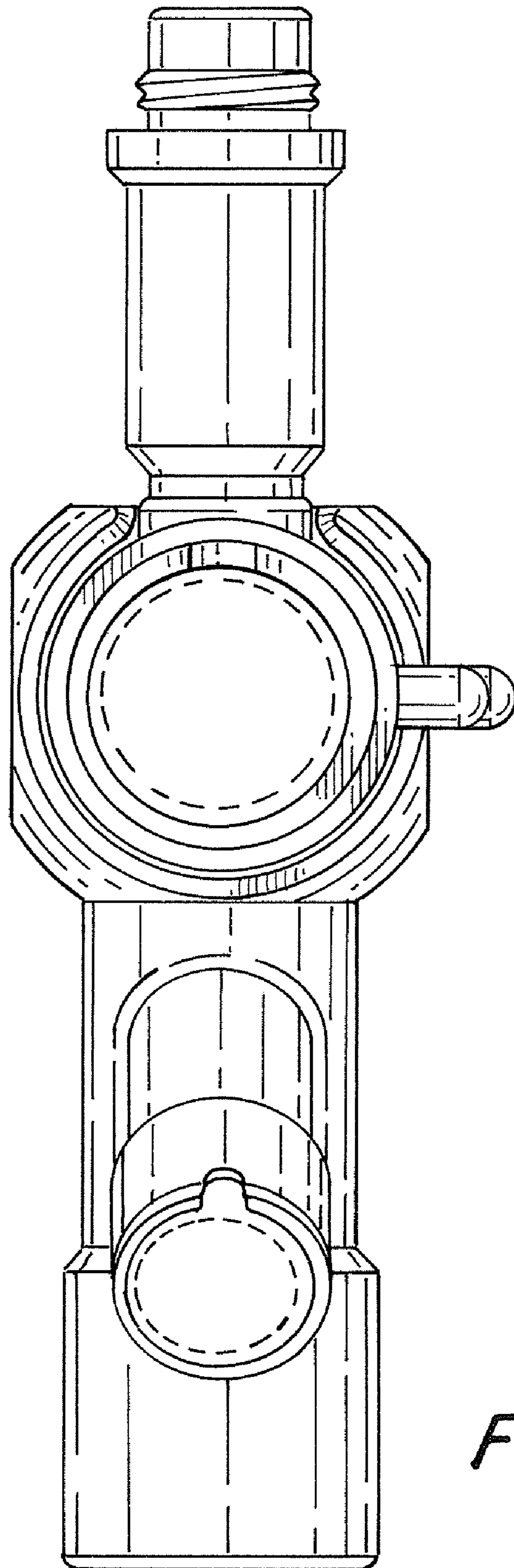


FIG. 7