



US00D631544S

(12) **United States Design Patent**
Kraft

(10) **Patent No.:** **US D631,544 S**
(45) **Date of Patent:** **** Jan. 25, 2011**

(54) **ANESTHESIA INJECTION CONE**

6,558,344 B2 * 5/2003 McKinnon et al. 604/35

(76) Inventor: **Joseph Wayne Kraft**, 12950 Hunters
Creek Rd., College Station, TX (US)
77854

* cited by examiner

Primary Examiner—T. Chase Nelson

Assistant Examiner—Eric L Goodman

(74) *Attorney, Agent, or Firm*—Furr Law Firm; Jeffrey M.
Furr, Esq.

(**) Term: **14 Years**

(21) Appl. No.: **29/342,041**

(22) Filed: **Aug. 18, 2009**

(51) **LOC (9) Cl.** **24-02**

(52) **U.S. Cl.** **D24/130**

(58) **Field of Classification Search** D24/107–108,
D24/127, 130, 231–232; 128/917–919; 604/39,
604/187, 242

See application file for complete search history.

(56) **References Cited**

U.S. PATENT DOCUMENTS

4,769,003	A *	9/1988	Stamler	604/39
4,898,588	A *	2/1990	Roberts	604/187
D344,133	S *	2/1994	Stamler	D24/130
D345,016	S *	3/1994	Stamler	D24/130
D381,965	S *	8/1997	Atkinson	D24/108
D386,684	S *	11/1997	Marogil	D9/448
5,816,197	A *	10/1998	DeStefano et al.	119/712
6,485,452	B1 *	11/2002	French et al.	604/39

(57) **CLAIM**

The ornamental design for an anesthesia injection device, as shown.

DESCRIPTION

FIG. 1 is a side view of the anesthesia injection device showing my new design;

FIG. 2 is a top view thereof;

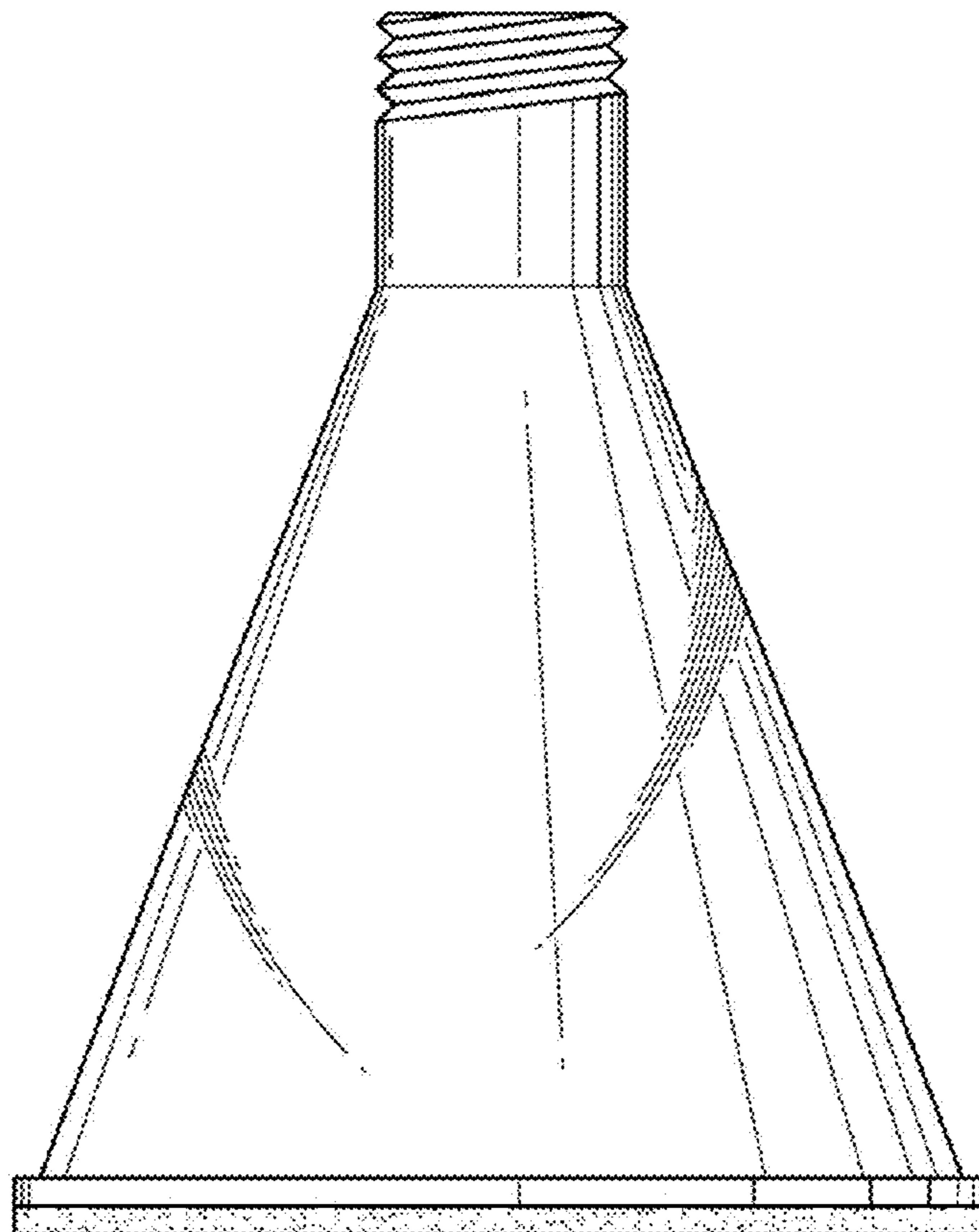
FIG. 3 is a bottom view thereof;

FIG. 4 is a front perspective view thereof; and,

FIG. 5 is a cross-sectional view taken along line 5—5 as shown in FIG. 2.

The broken line showing is included for the purpose of illustrating portions of the article and forms no part of the claimed design.

1 Claim, 4 Drawing Sheets



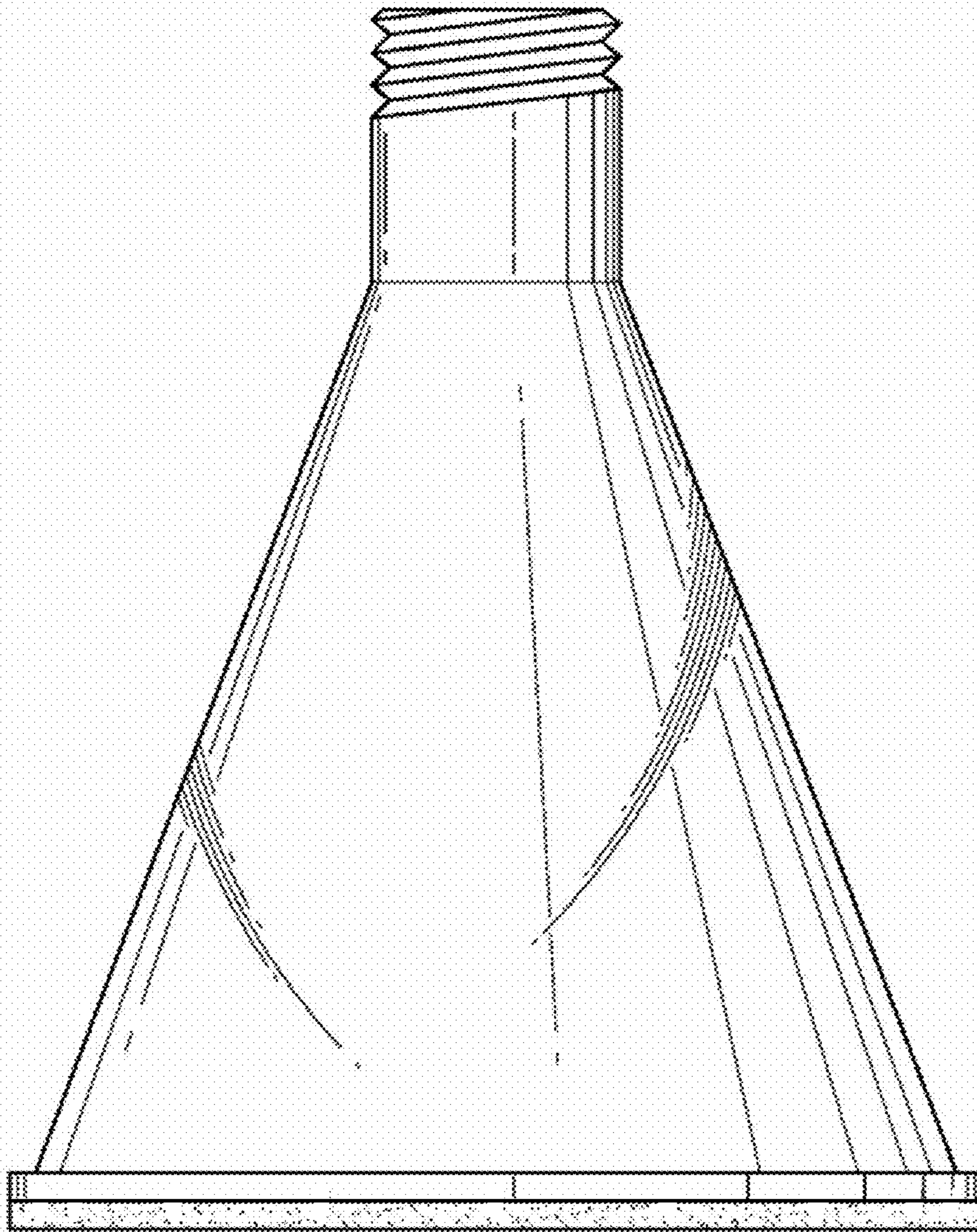


Fig. 1

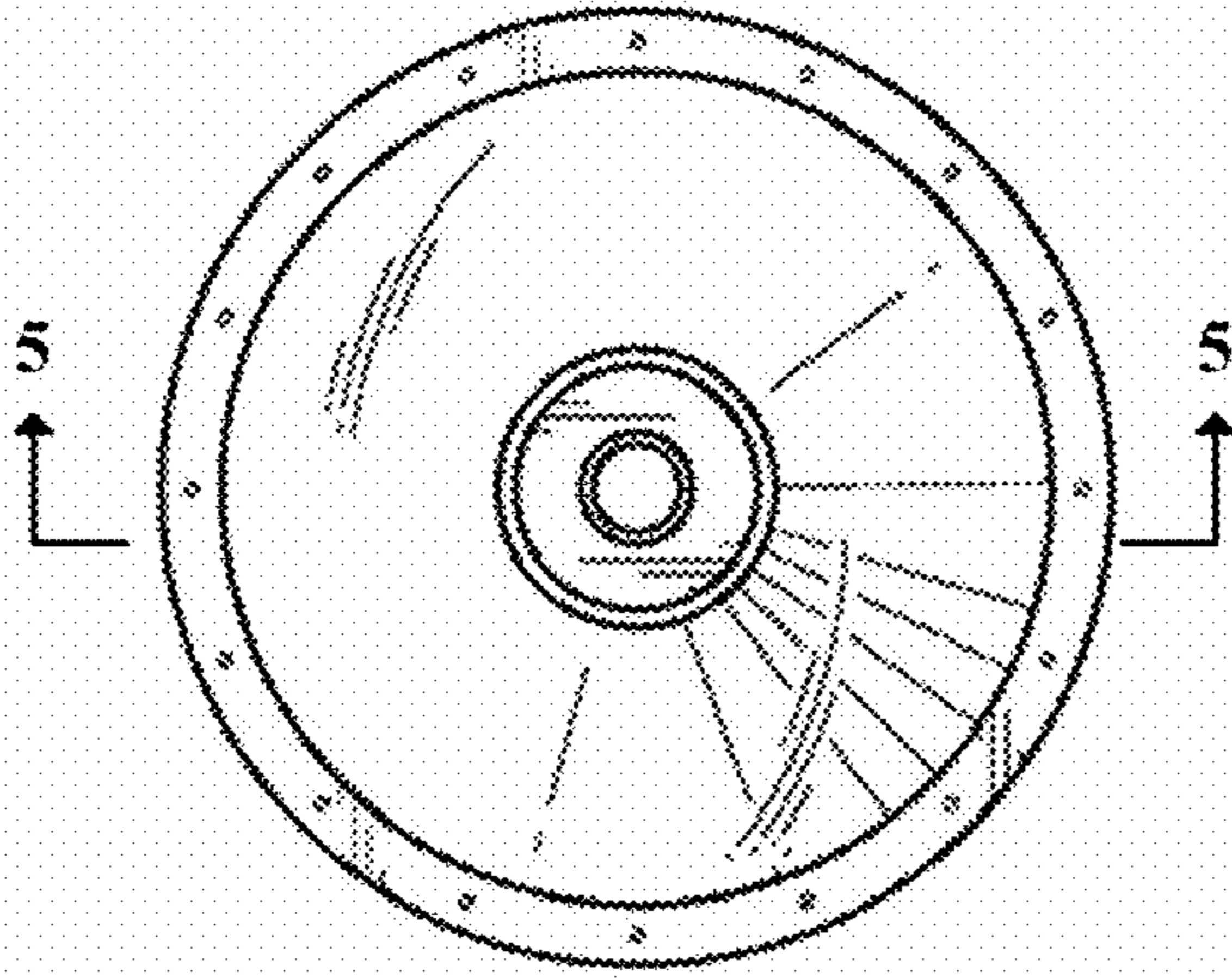


Fig. 2

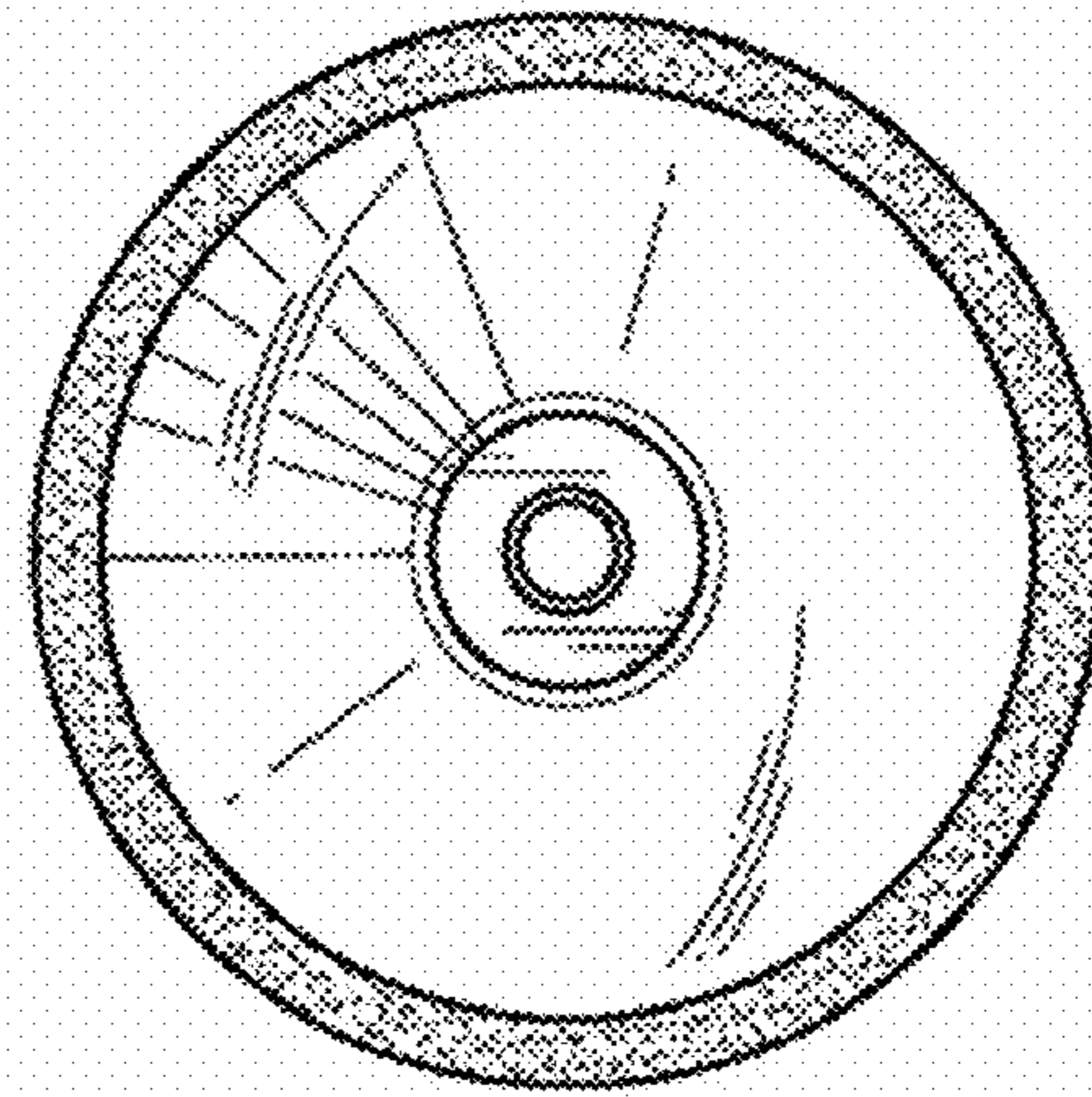


Fig. 3

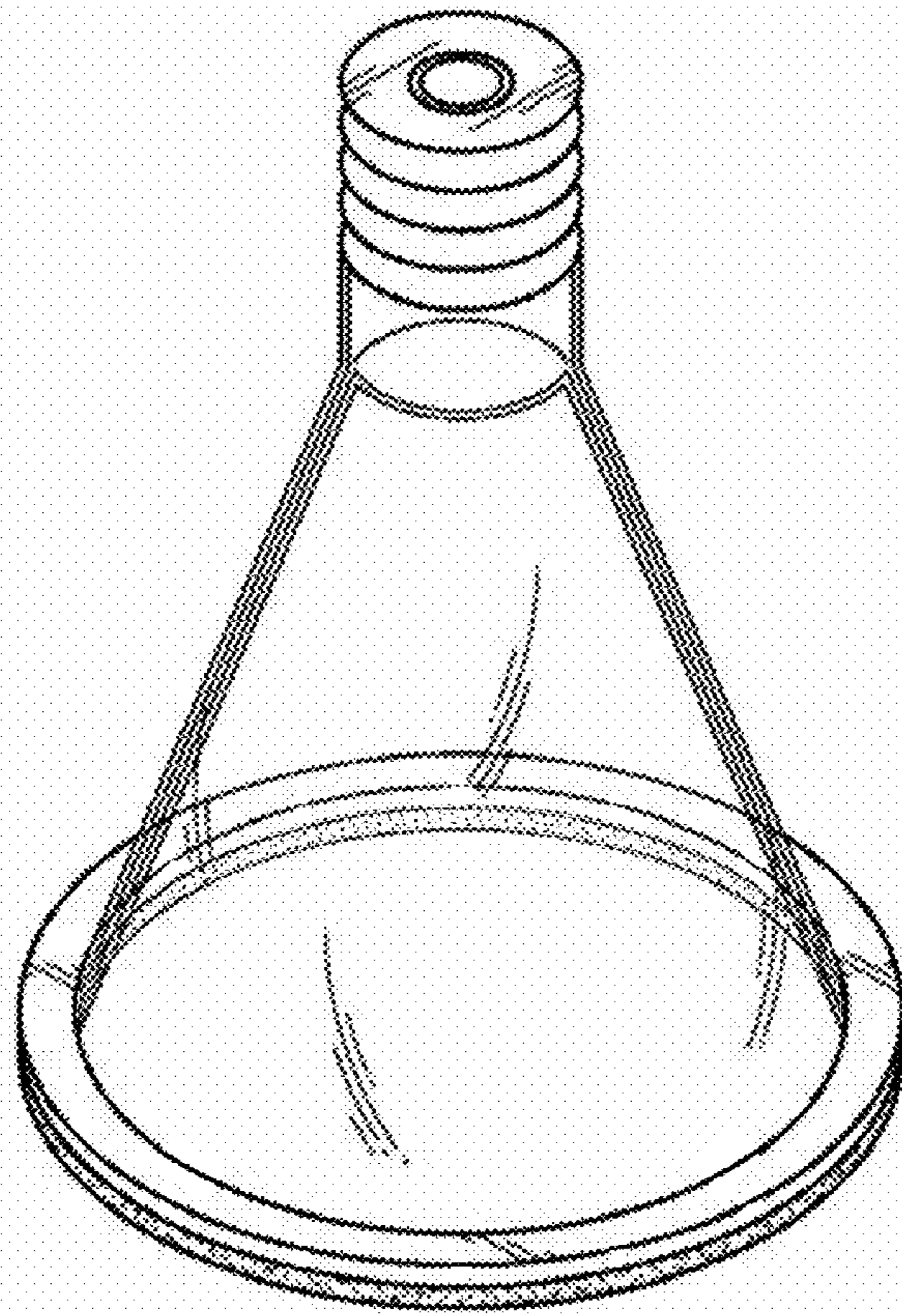


Fig. 4

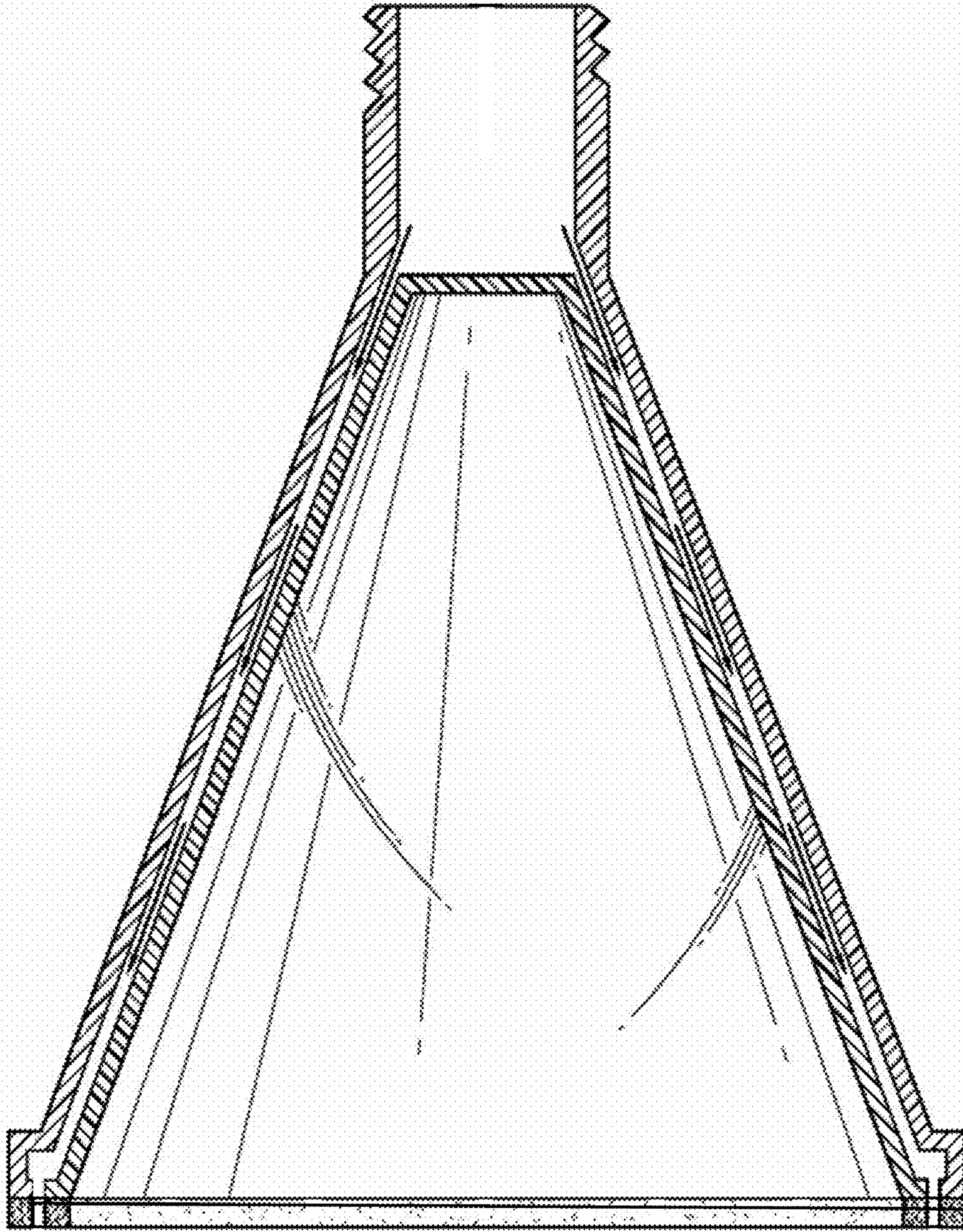


Fig. 5