



US00D631543S

(12) **United States Design Patent**
Bak-Boyчук et al.

(10) **Patent No.:** **US D631,543 S**
(45) **Date of Patent:** **** Jan. 25, 2011**

(54) **IN-LINE BLOOD SAMPLING ACCESSORY**

(75) Inventors: **Greg Bak-Boyчук**, San Clemente, CA (US); **Mark Wright**, Carlsbad, CA (US); **John Liu**, Corona, CA (US); **Carlyn Solomon**, San Clemente, CA (US)

(73) Assignee: **Edwards Lifesciences Corporation**, Irvine, CA (US)

(**) Term: **14 Years**

(21) Appl. No.: **29/359,753**

(22) Filed: **Apr. 14, 2010**

5,759,160 A *	6/1998	Neese et al.	600/573
5,772,607 A	6/1998	Magram	
5,961,472 A *	10/1999	Swendson et al.	600/573
6,159,164 A *	12/2000	Neese et al.	600/578
6,269,704 B1 *	8/2001	Ziv et al.	73/863.84
D506,256 S	6/2005	Miyoshi et al.	
D526,409 S	8/2006	Nielsen et al.	
D538,929 S	3/2007	Chuang	
7,314,452 B2 *	1/2008	Madonia	600/573
D570,475 S	6/2008	Mosler	
D577,820 S	9/2008	Mosler et al.	
D578,214 S	10/2008	Mosler	
D581,526 S	11/2008	Baxter et al.	
7,445,604 B2 *	11/2008	Cash	600/575
D585,985 S	2/2009	Aaberg et al.	
7,578,205 B2	8/2009	Belongia	

Related U.S. Application Data

(62) Division of application No. 29/323,761, filed on Aug. 29, 2008, now Pat. No. Des. 616,543.

(51) **LOC (9) Cl.** **24-02**

(52) **U.S. Cl.** **D24/129**

(58) **Field of Classification Search** D24/107, D24/108, 111, 112, 113, 127, 129, 130, 133, D24/155; 137/625.41; 251/310; 285/26; 600/563, 573; 601/152; 604/41, 80, 83, 604/93.01, 164.01, 167.05, 173, 246, 247, 604/248, 257, 284, 407, 523, 48, 85, 125; 73/868.71, 864.63

See application file for complete search history.

(56) **References Cited**

U.S. PATENT DOCUMENTS

4,014,328 A	3/1977	Cluff et al.	
4,533,348 A *	8/1985	Wolfe et al.	604/85
4,673,386 A *	6/1987	Gordon	604/48
4,712,434 A *	12/1987	Herwig et al.	73/864.63
5,324,266 A *	6/1994	Ambrisco et al.	604/125
D354,559 S	1/1995	Knute et al.	
D363,542 S	10/1995	Parris et al.	
5,505,768 A *	4/1996	Altadonna	96/108

* cited by examiner

Primary Examiner—Elizabeth A Albert

Assistant Examiner—Karen E Eldridge Powers

(74) *Attorney, Agent, or Firm*—Michael L. Crapenhof

(57) **CLAIM**

The ornamental design for an in-line blood sampling accessory, substantially as shown and described.

DESCRIPTION

FIG. 1 is a perspective view of one embodiment of the in-line blood sampling accessory;

FIG. 2 is a right side view taken from FIG. 1, the left side view being the same;

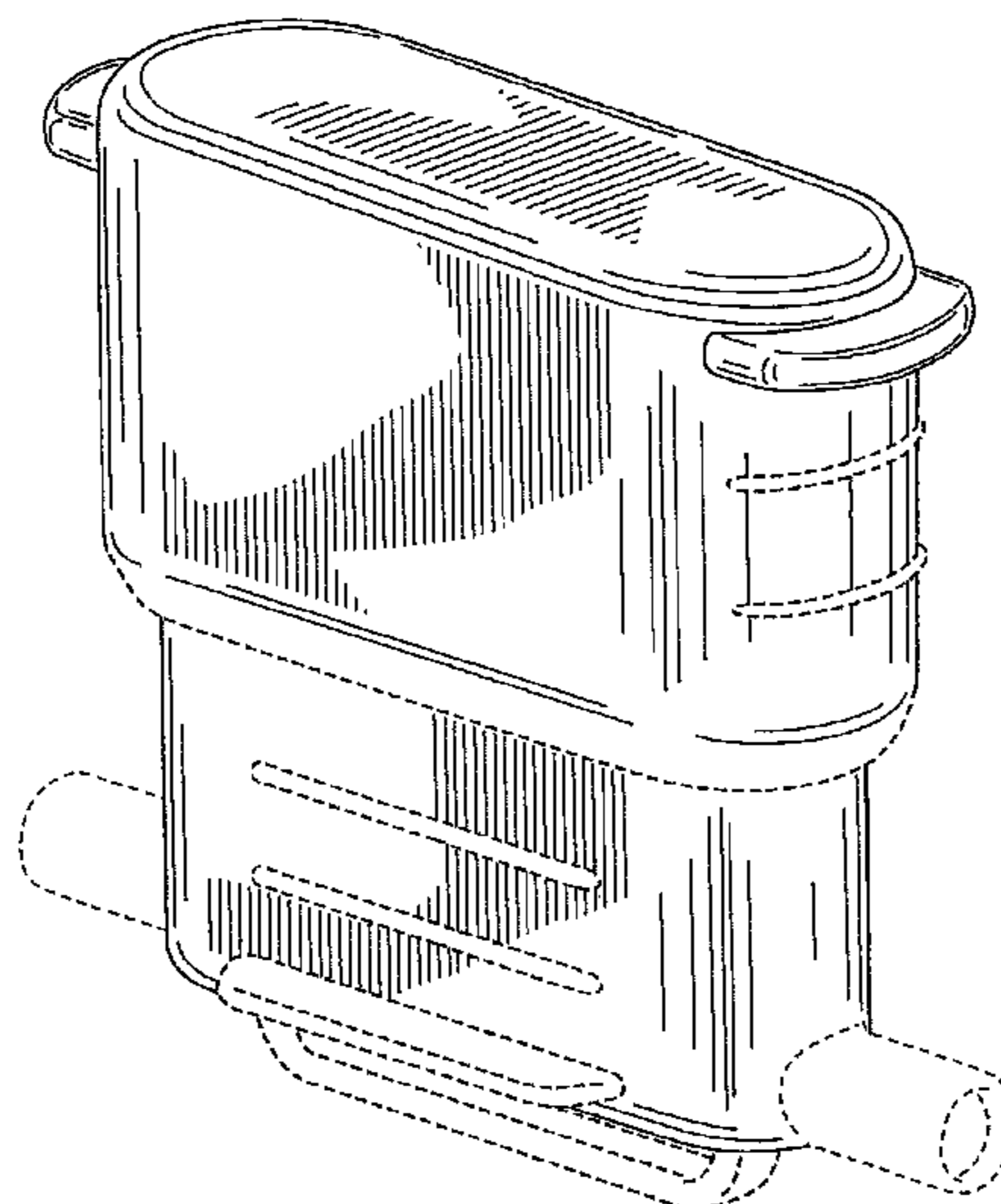
FIG. 3 is a front view taken from FIG. 1, the rear view being the same; and,

FIG. 4 is a top view taken from FIG. 1; and,

FIG. 5 is a bottom view taken from FIG. 1.

The broken lines which define the bounds of the claimed design form no part thereof.

1 Claim, 4 Drawing Sheets



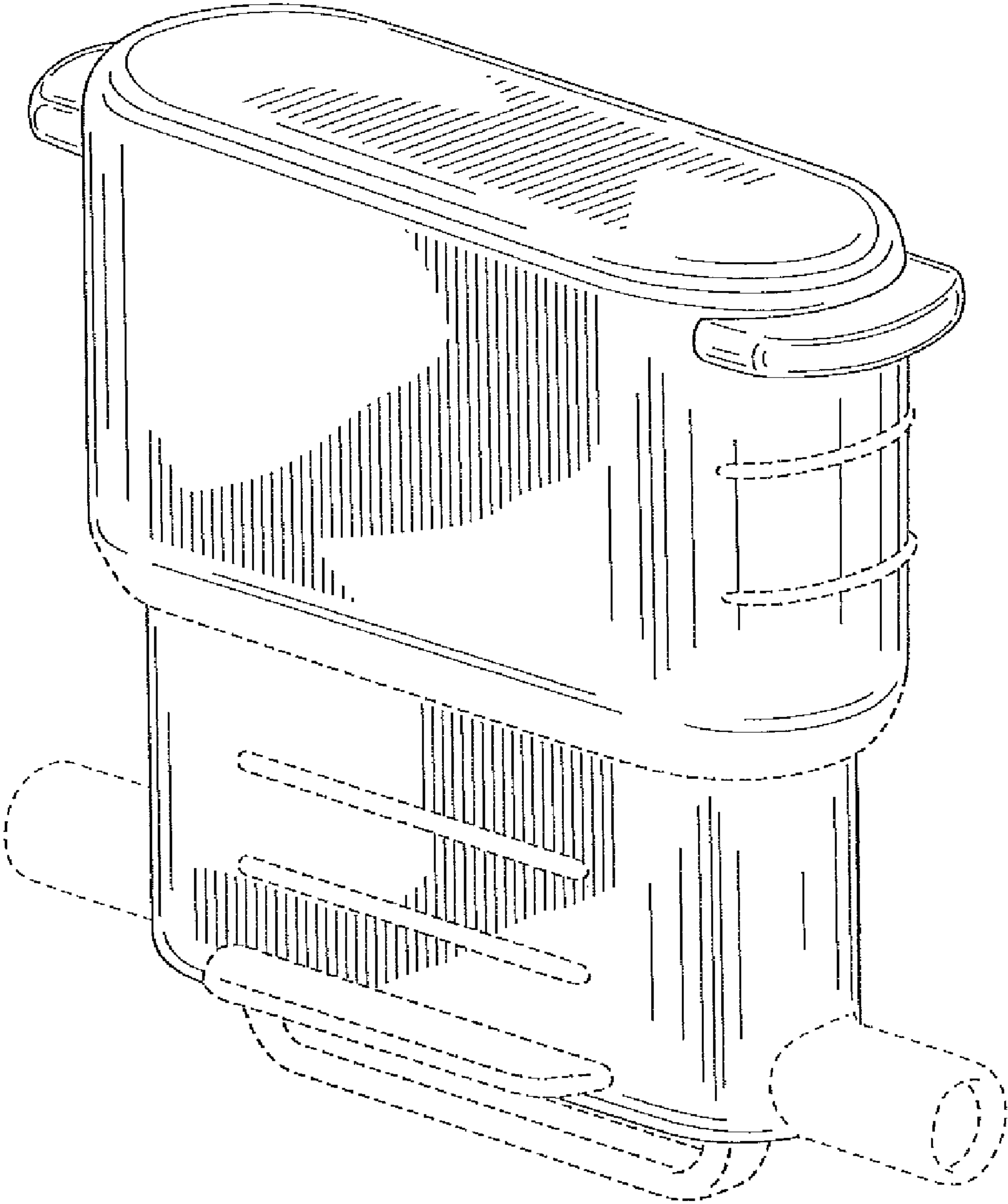


FIG. 1

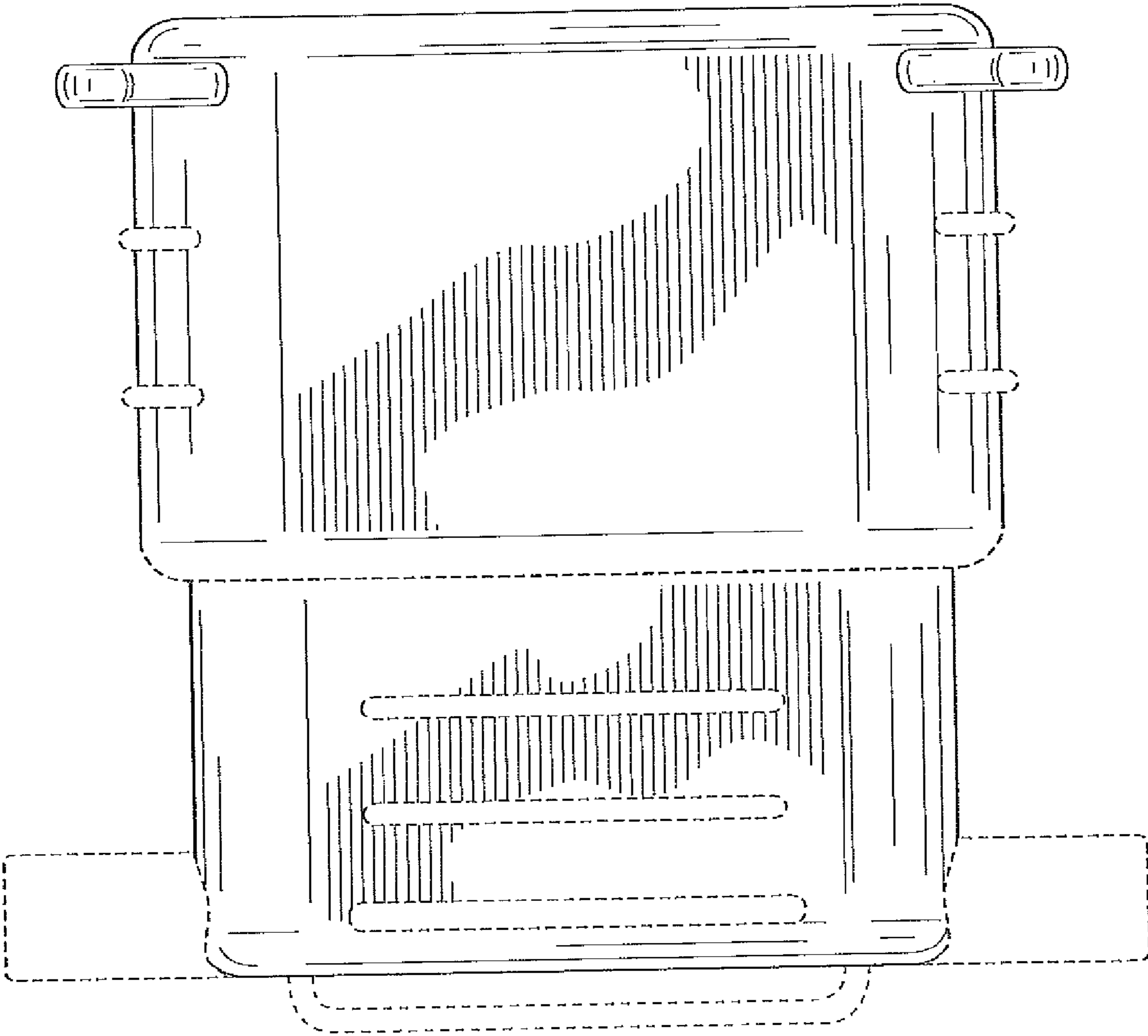


FIG. 2

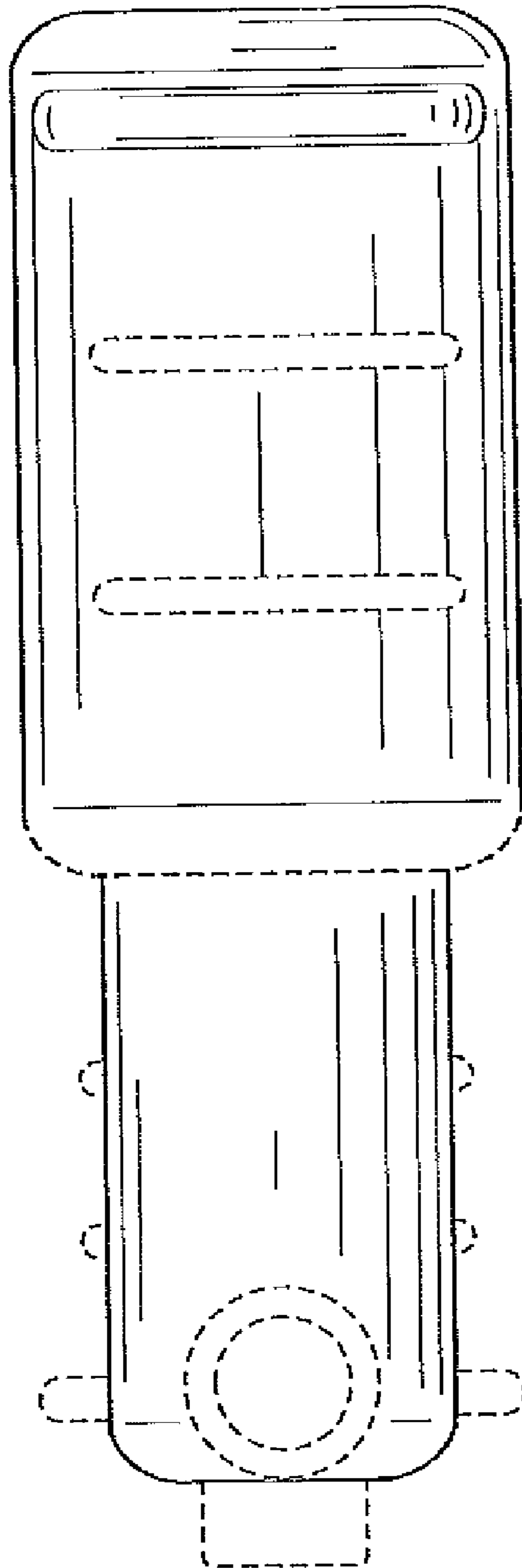


FIG. 3

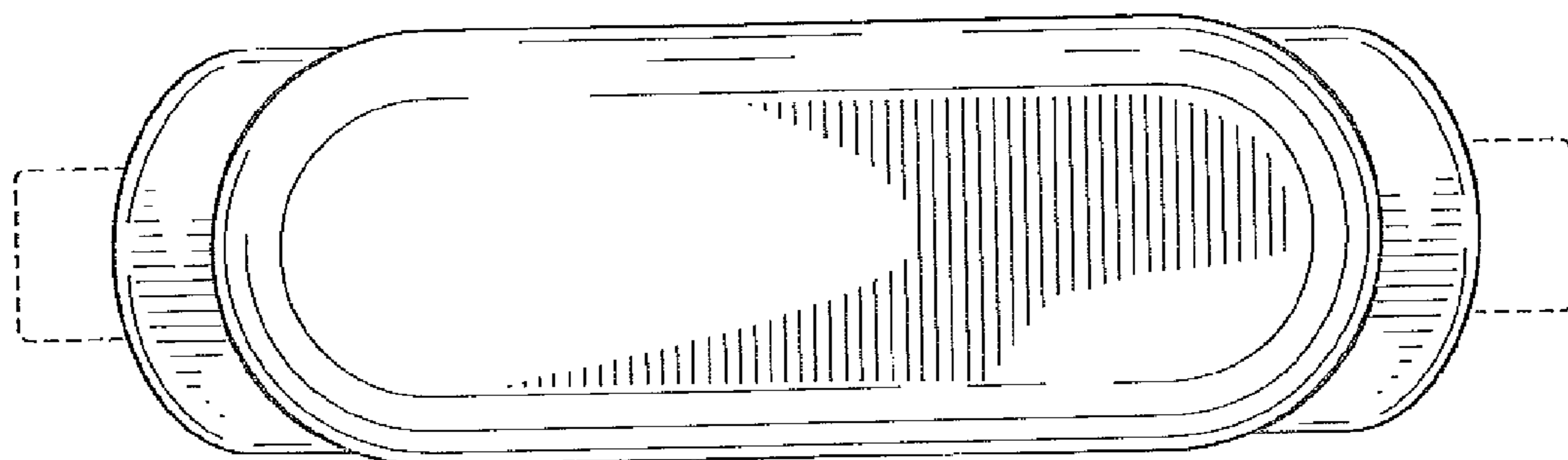


FIG. 4

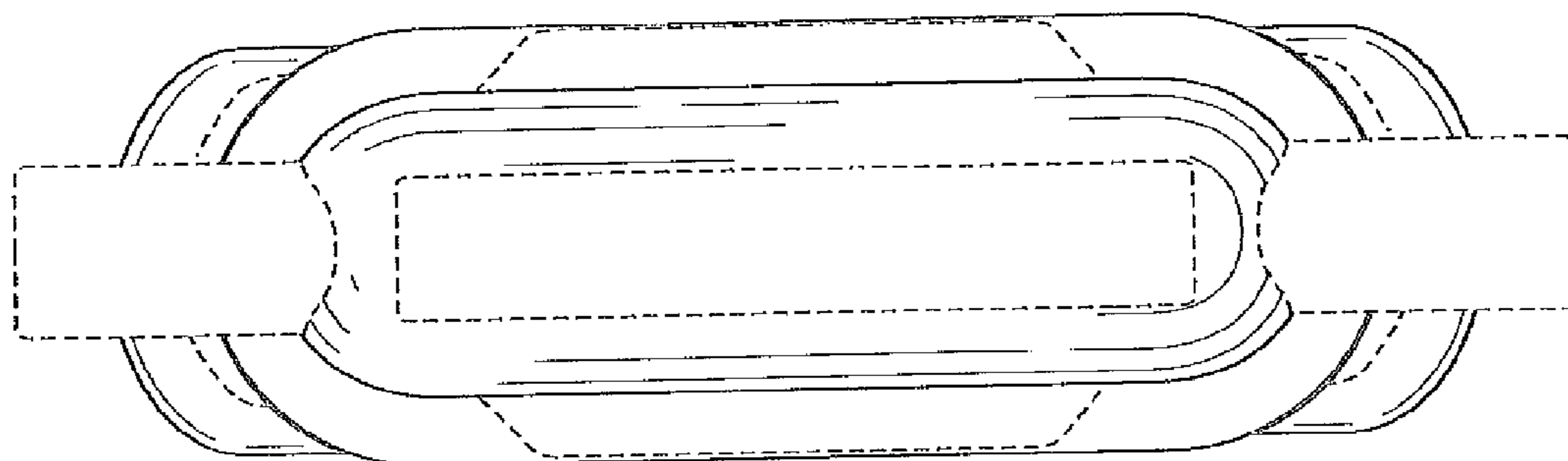


FIG. 5