



US00D631535S

(12) **United States Design Patent**
Togawa et al.

(10) **Patent No.:** **US D631,535 S**
(45) **Date of Patent:** **** Jan. 25, 2011**

(54) **CONTAINER FOR VOLATILIZING CHEMICALS**

(75) Inventors: **Akihiko Togawa**, Tokyo (JP); **Saori Mochizuki**, Tokyo (JP); **Akihiro Saito**, Tokyo (JP); **Hiroo Noguchi**, Tokyo (JP); **Namie Baba**, Tokyo (JP)

(73) Assignee: **S.T. Corporation**, Tokyo (JP)

(**) Term: **14 Years**

(21) Appl. No.: **29/347,770**

(22) Filed: **May 27, 2010**

(30) **Foreign Application Priority Data**

Nov. 27, 2009 (JP) 2009-027663

(51) **LOC (9) Cl.** **28-99**

(52) **U.S. Cl.** **D23/366**

(58) **Field of Classification Search** D23/355-369; D28/5, 6; 261/DIG. 17, DIG. 42, DIG. 65, 261/DIG. 88, DIG. 89; 392/386, 390, 391, 392/392, 394, 395, 389, 393; 239/34, 35, 239/43-45, 53, 56, 57, 60, 326, 42, 50, 55
See application file for complete search history.

(56) **References Cited**

U.S. PATENT DOCUMENTS

- D242,461 S * 11/1976 Seymour D23/366
- D292,311 S * 10/1987 Joyaux et al. D23/366
- D510,991 S * 10/2005 Harbutt et al. D23/366
- D522,118 S * 5/2006 Miro D23/366
- D535,002 S * 1/2007 Caserta et al. D23/366
- D536,081 S * 1/2007 Steinel D23/366
- D550,341 S * 9/2007 Di Robilant D23/359
- D579,163 S * 10/2008 Schablinger D32/29.1
- D599,897 S * 9/2009 Low D23/364
- D603,291 S * 11/2009 Wessling D11/121
- D610,667 S * 2/2010 Espiritu, Jr. D23/367
- D611,587 S * 3/2010 Dineen D23/366
- D611,588 S * 3/2010 Jorgensen D23/366
- 2003/0080197 A1 * 5/2003 Tuomikoski et al. 239/44

FOREIGN PATENT DOCUMENTS

JP	D-958498	7/1996
JP	D-1024570	11/1998
JP	D-1043113	7/1999
JP	D-1079081	7/2000
JP	D-1103918	3/2001
JP	D-1186398	9/2003
JP	D-1204733	5/2004
JP	D-1262556	2/2006
JP	D-1201173	3/2007
JP	D-1201683	3/2007
JP	D-1300931	5/2007
JP	D-1338139	8/2008
JP	D-1338140	8/2008
JP	D-1362666	6/2009
JP	D-1368108	8/2009
JP	D-1306296	7/2010

* cited by examiner

Primary Examiner—Sandra Snapp

(74) *Attorney, Agent, or Firm*—Jean C. Edwards, Esq.; Akerman Senterfitt

(57) **CLAIM**

The ornamental design for a container for volatilizing chemicals, as shown and described.

DESCRIPTION

FIG. 1 is a perspective view of a container for volatilizing chemicals showing our new design;

FIG. 2 is a front view thereof; the rear view being a mirror image thereof;

FIG. 3 is a right side view thereof;

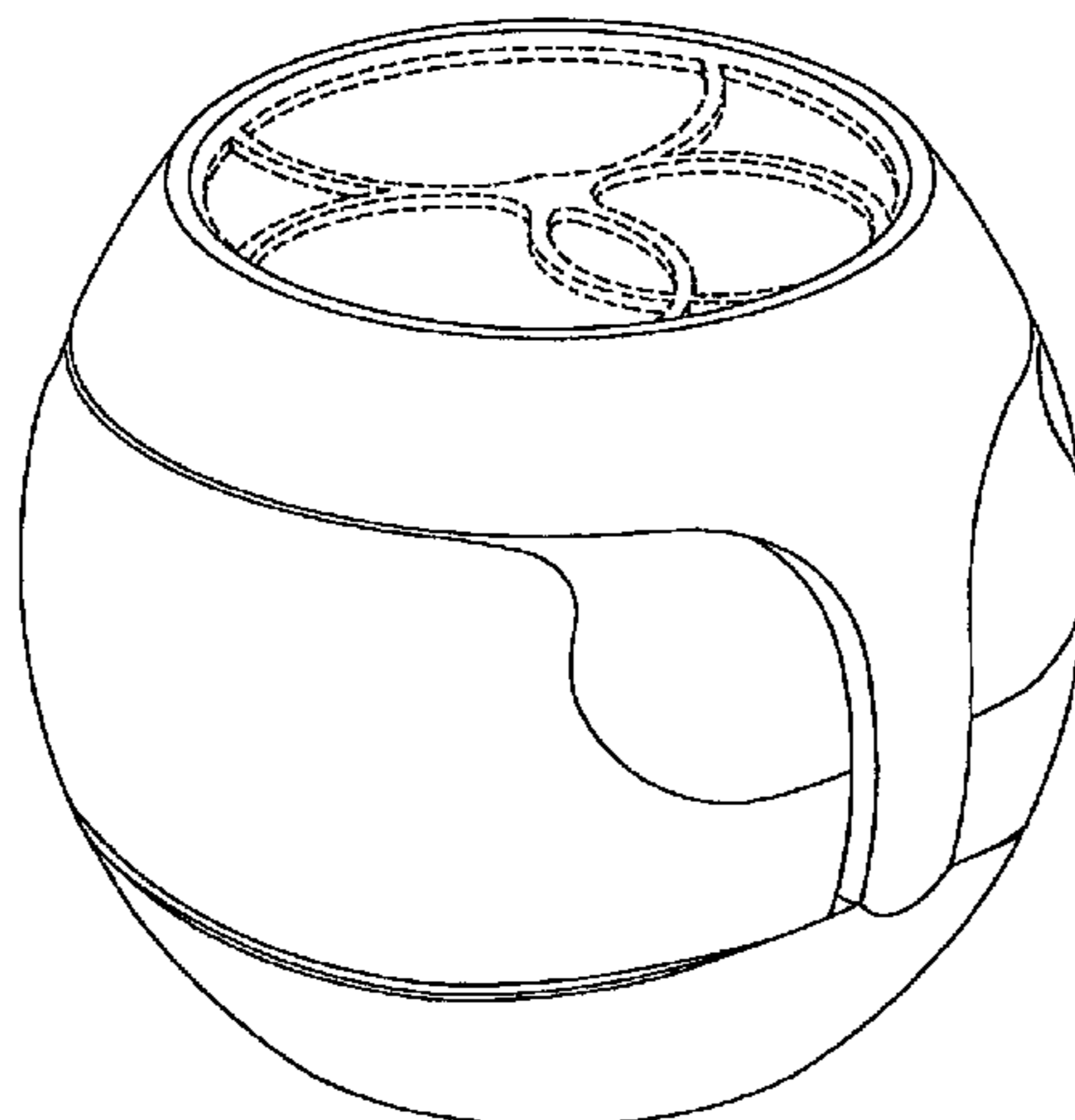
FIG. 4 is a left side view thereof;

FIG. 5 is a top plan view thereof; and,

FIG. 6 is a bottom plan view thereof.

The top of the container is open, with any structure shown therein being illustrated with broken lines and not forming any part of the claimed design.

1 Claim, 6 Drawing Sheets



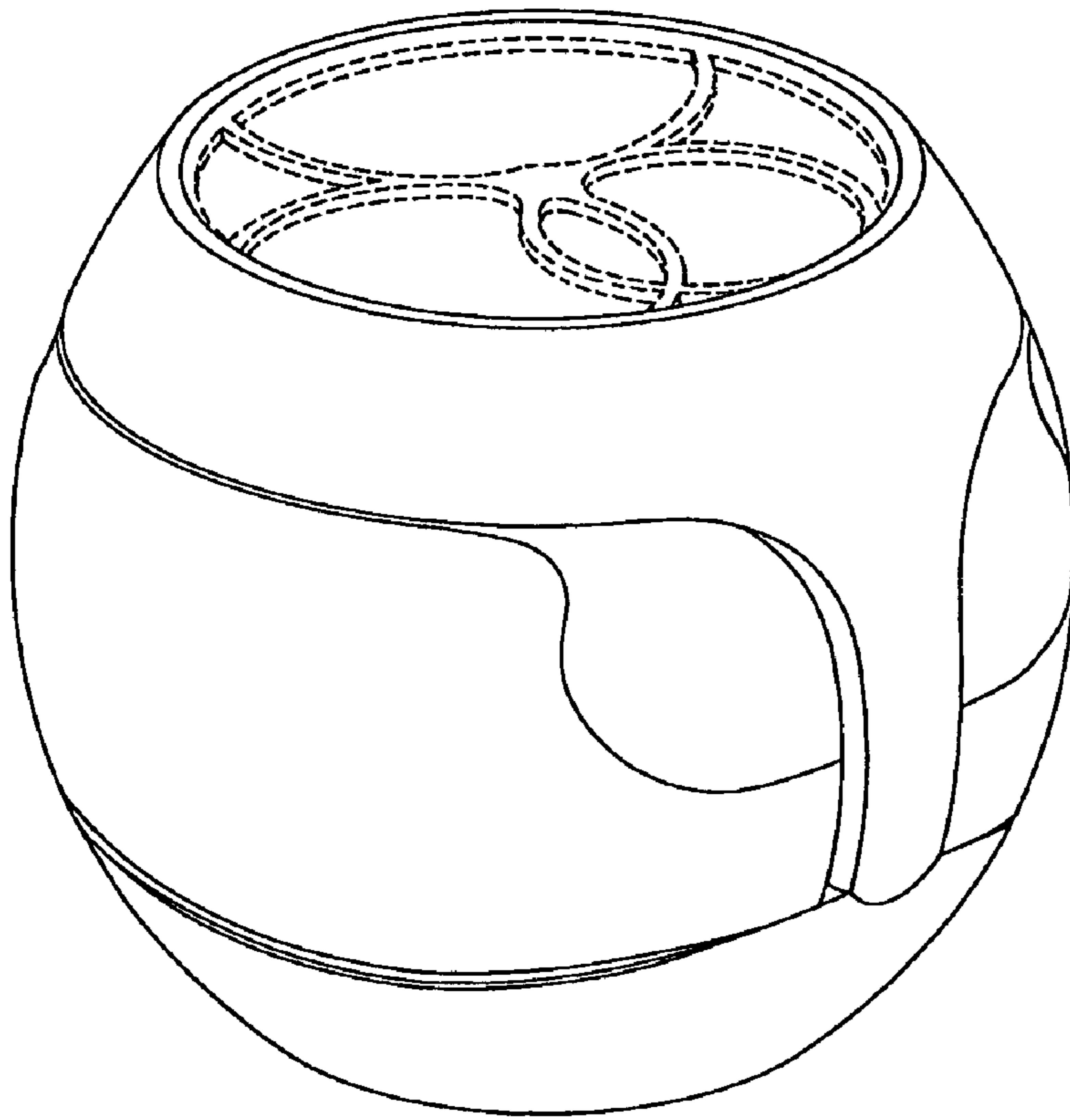


FIG. 1

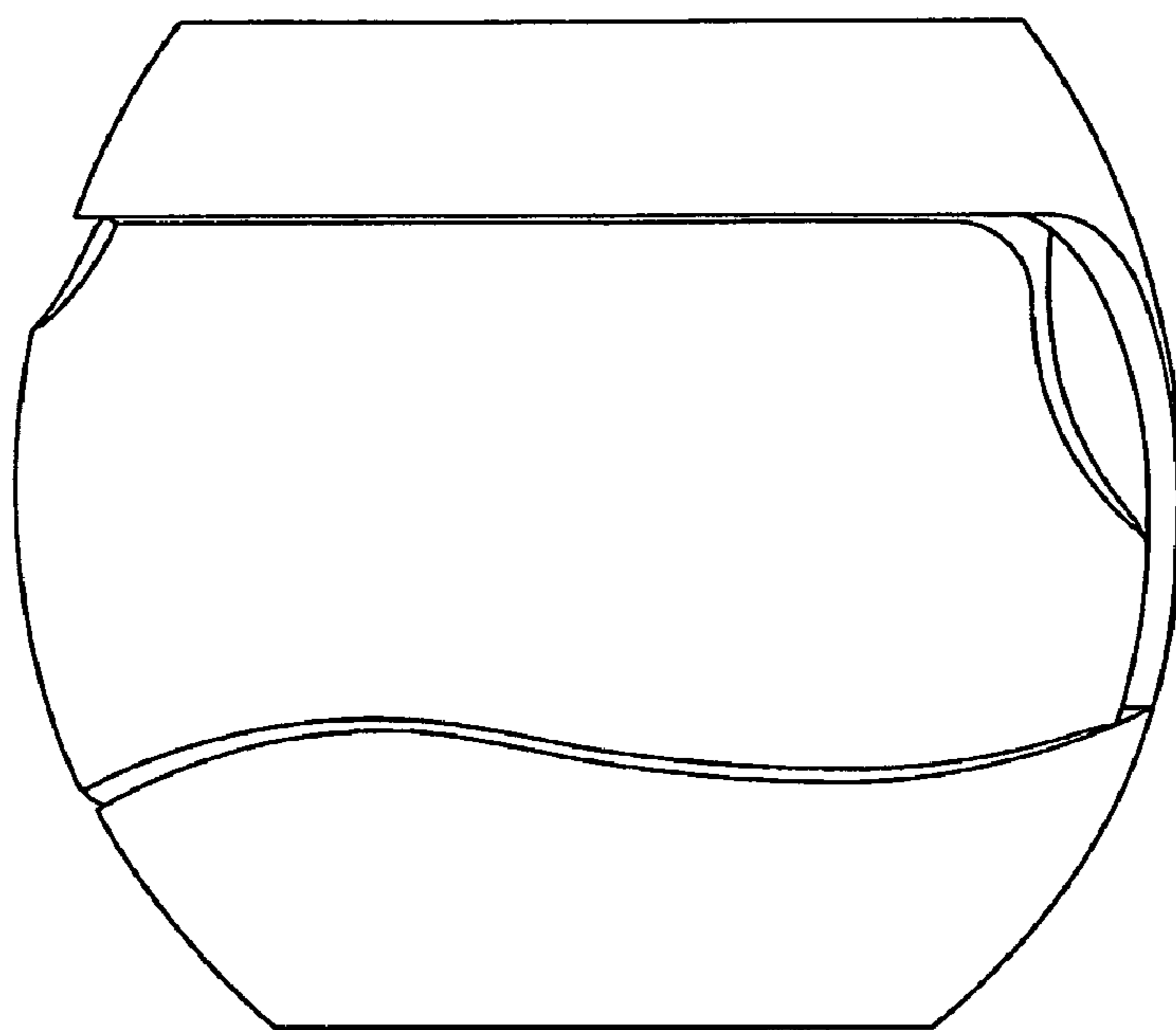


FIG. 2

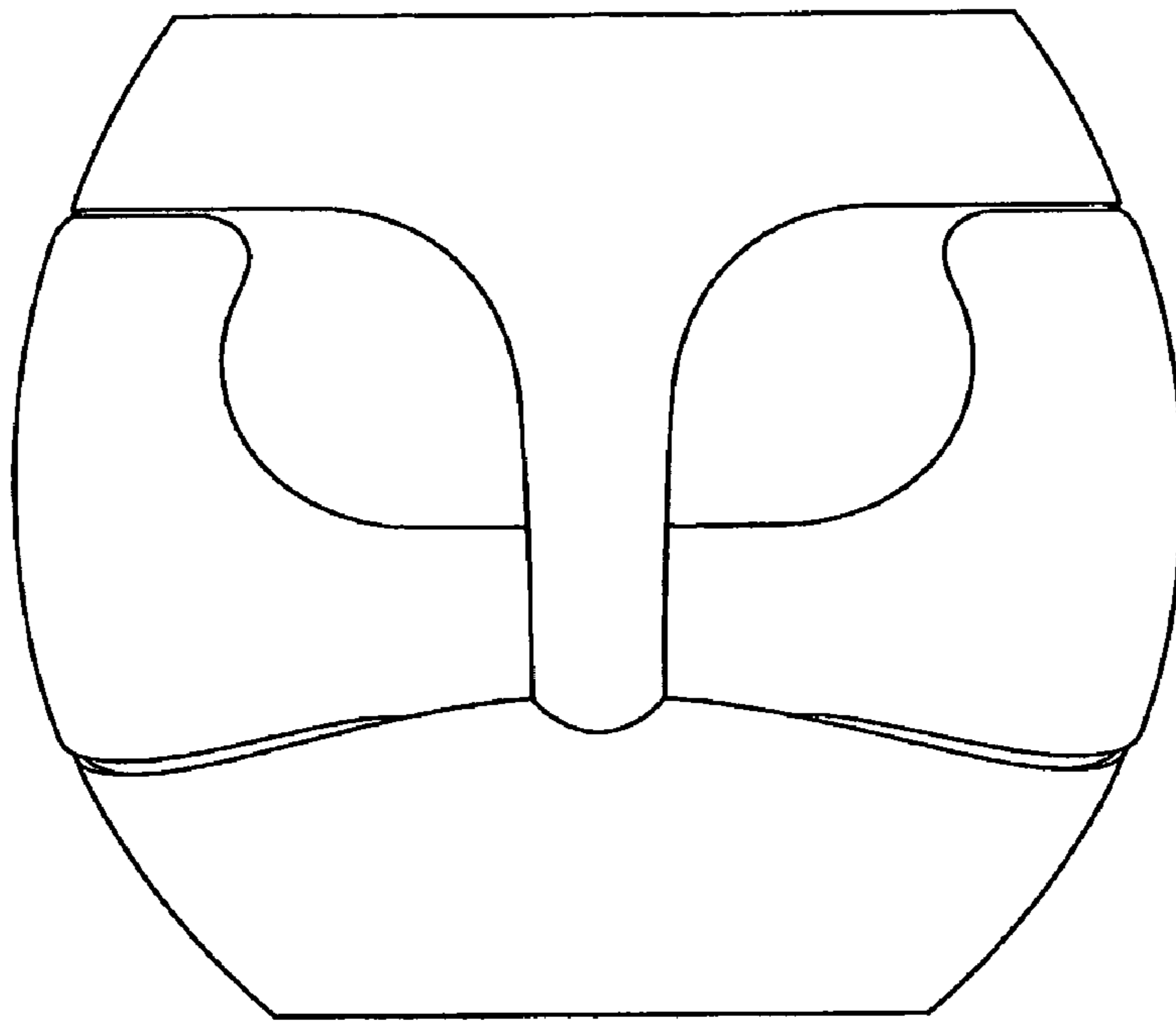


FIG. 3

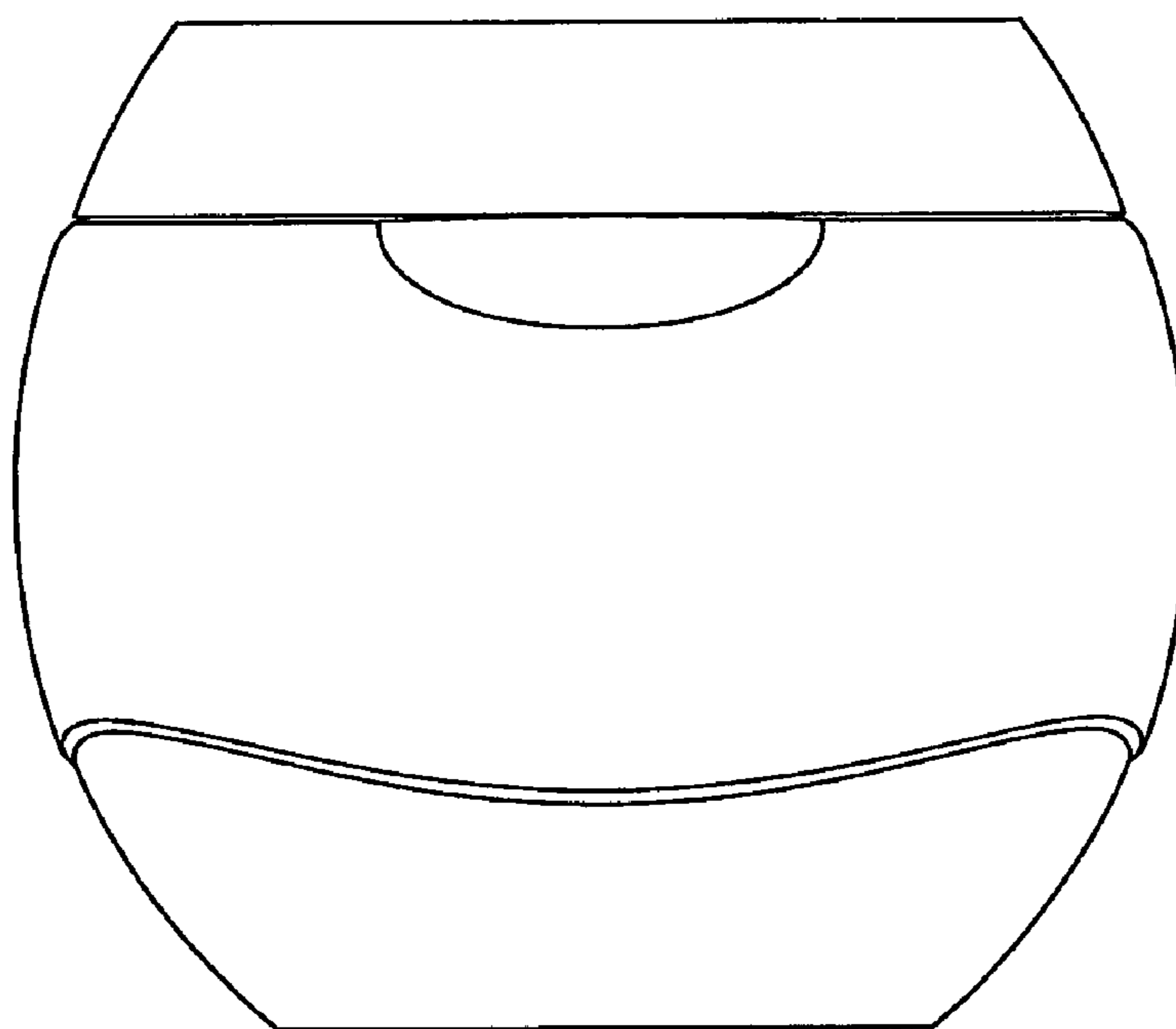


FIG. 4

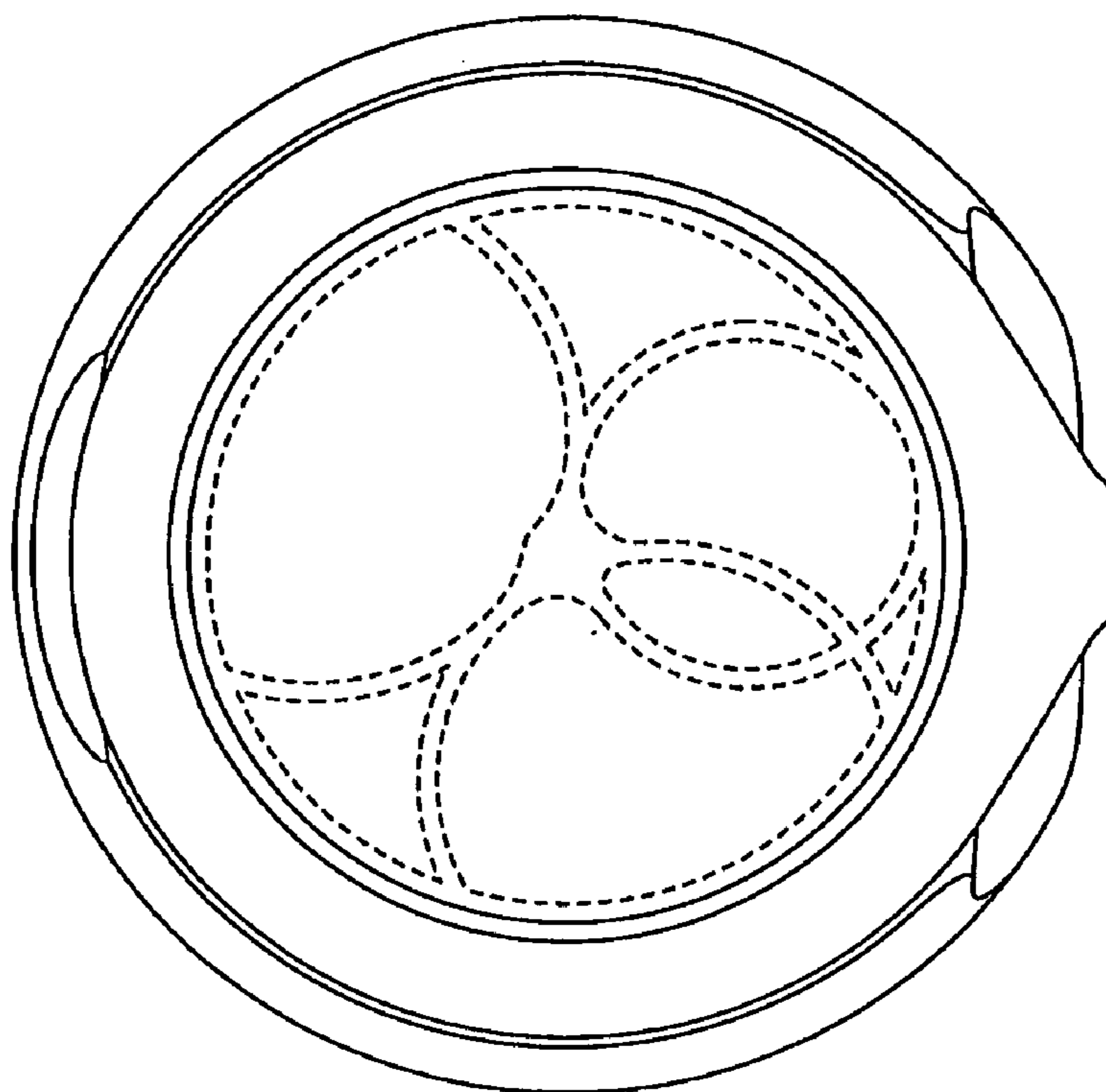


FIG. 5

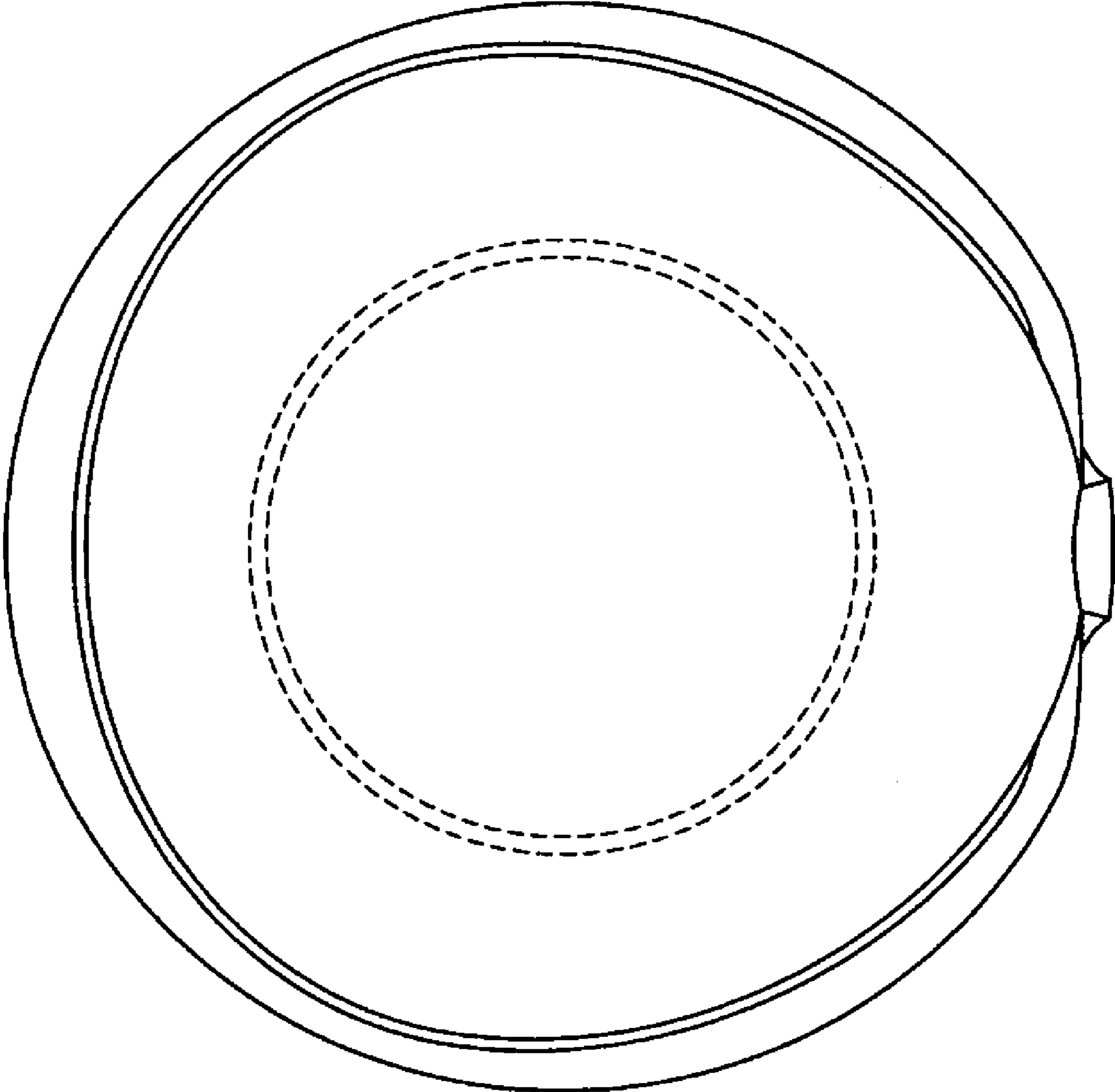


FIG. 6