

US00D631533S

(12) **United States Design Patent**
Gallo

(10) **Patent No.:** **US D631,533 S**

(45) **Date of Patent:** **** Jan. 25, 2011**

(54) **FIREPLACE WITH NARROW VENT**

2009/0080871 A1* 3/2009 Chiu 392/348

(75) Inventor: **Christopher J. Gallo**, North Canton, OH (US)

* cited by examiner

(73) Assignee: **Heat Surge, LLC**, Canton, OH (US)

Primary Examiner—T. Chase Nelson

Assistant Examiner—Eric L Goodman

(74) *Attorney, Agent, or Firm*—Sand & Sebolt

(**) Term: **14 Years**

(57) **CLAIM**

(21) Appl. No.: **29/353,377**

The ornamental design for a fireplace with narrow vent, as shown and described.

(22) Filed: **Jan. 7, 2010**

DESCRIPTION

(51) **LOC (9) Cl.** **23-03**

(52) **U.S. Cl.** **D23/343**

(58) **Field of Classification Search** D23/342-350;
392/348; 126/500, 544, 547; 431/125

See application file for complete search history.

FIG. 1 is a perspective view of a first embodiment of a fireplace with narrow vent showing my new design;

FIG. 2 is a front elevation view of the first embodiment;

FIG. 3 is a top plan view of the first embodiment;

FIG. 4 is a rear elevation view of the first embodiment;

FIG. 5 is a bottom plan view of the first embodiment;

FIG. 6 is a left side elevation view of the first embodiment;

FIG. 7 is a right side elevation view of the first embodiment;

FIG. 8 is a front perspective view of a second embodiment of a fireplace with narrow vent showing my new design; and,

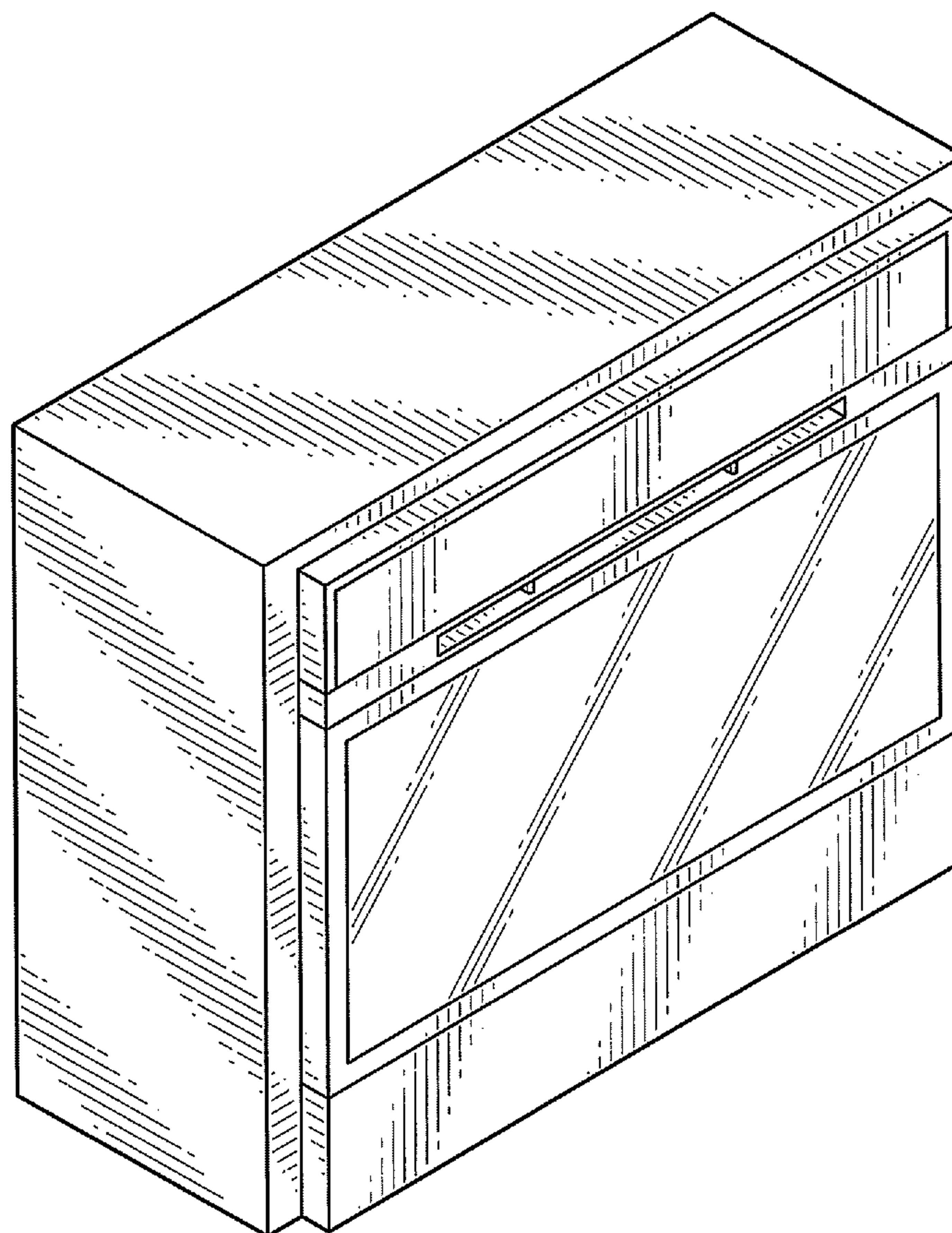
FIG. 9 is a front elevation view of the second embodiment.

(56) **References Cited**

U.S. PATENT DOCUMENTS

D28,699 S *	5/1898	Daschbach	D23/344
D270,858 S *	10/1983	McInnes	D23/344
D384,406 S *	9/1997	Newman et al.	D23/343
D385,023 S *	10/1997	Newman et al.	D23/343
D475,443 S *	6/2003	Wilson	D23/339
D561,317 S *	2/2008	Ou et al.	D23/344
D591,409 S *	4/2009	Kashimoto	D23/351
D591,410 S *	4/2009	Kashimoto	D23/351

1 Claim, 6 Drawing Sheets



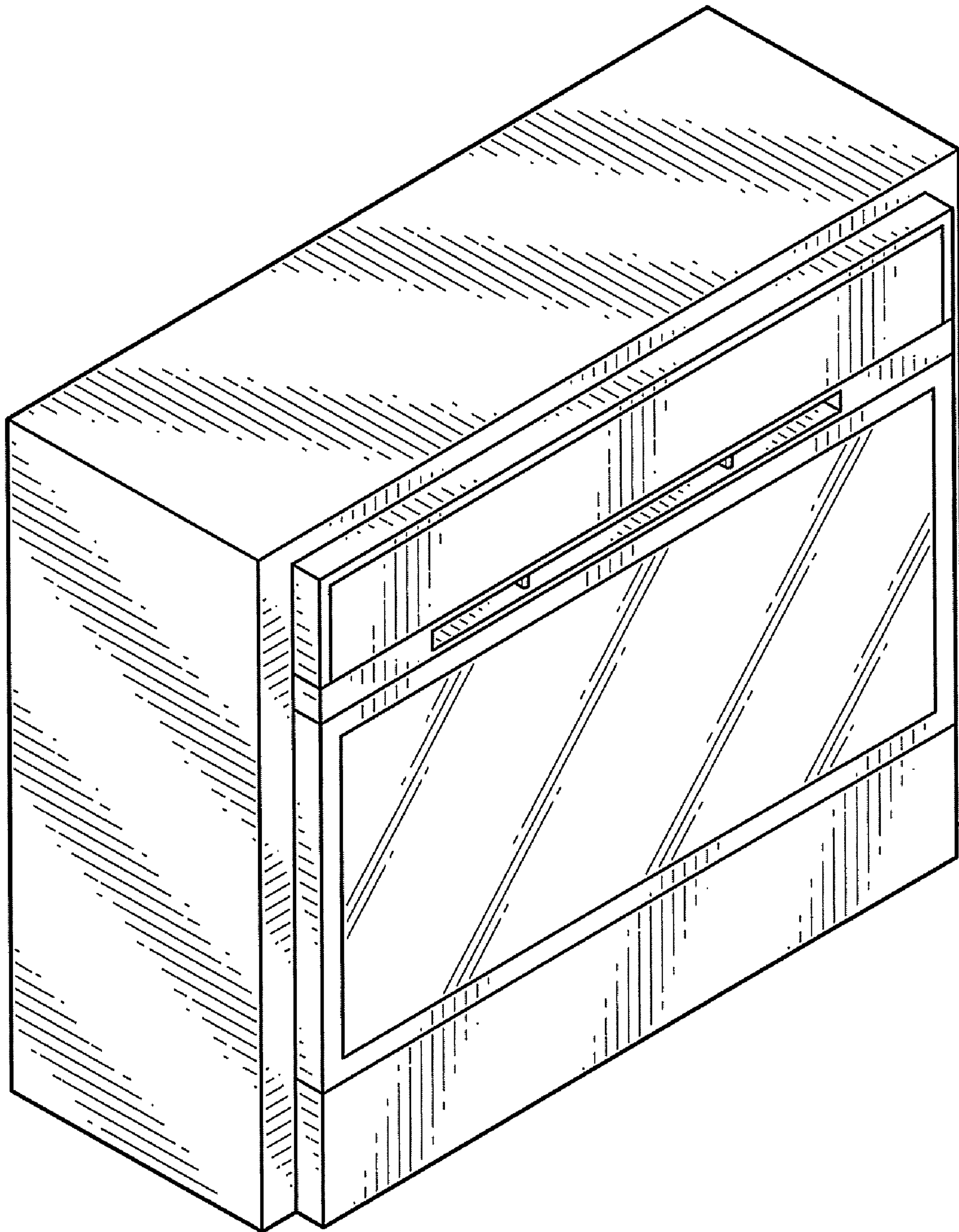


FIG-1

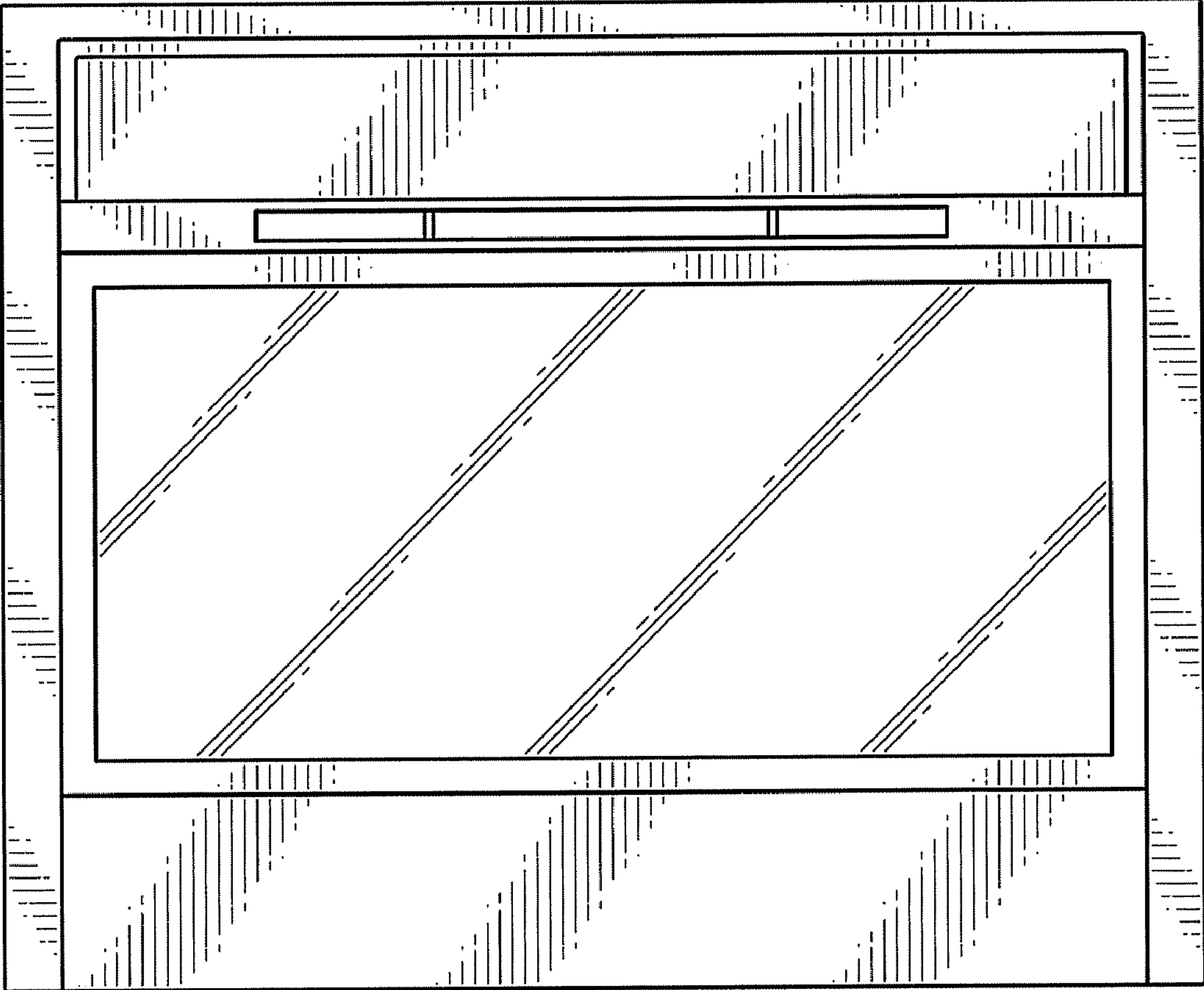


FIG-2

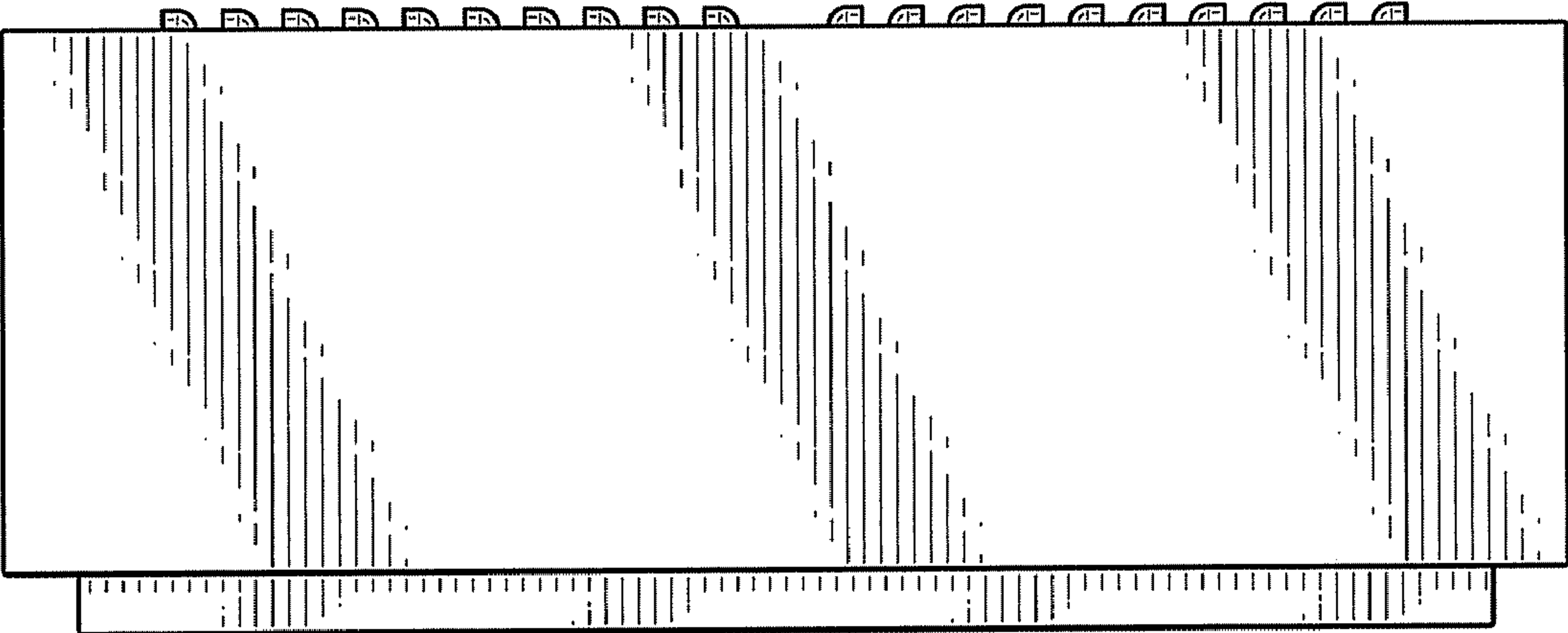


FIG-3

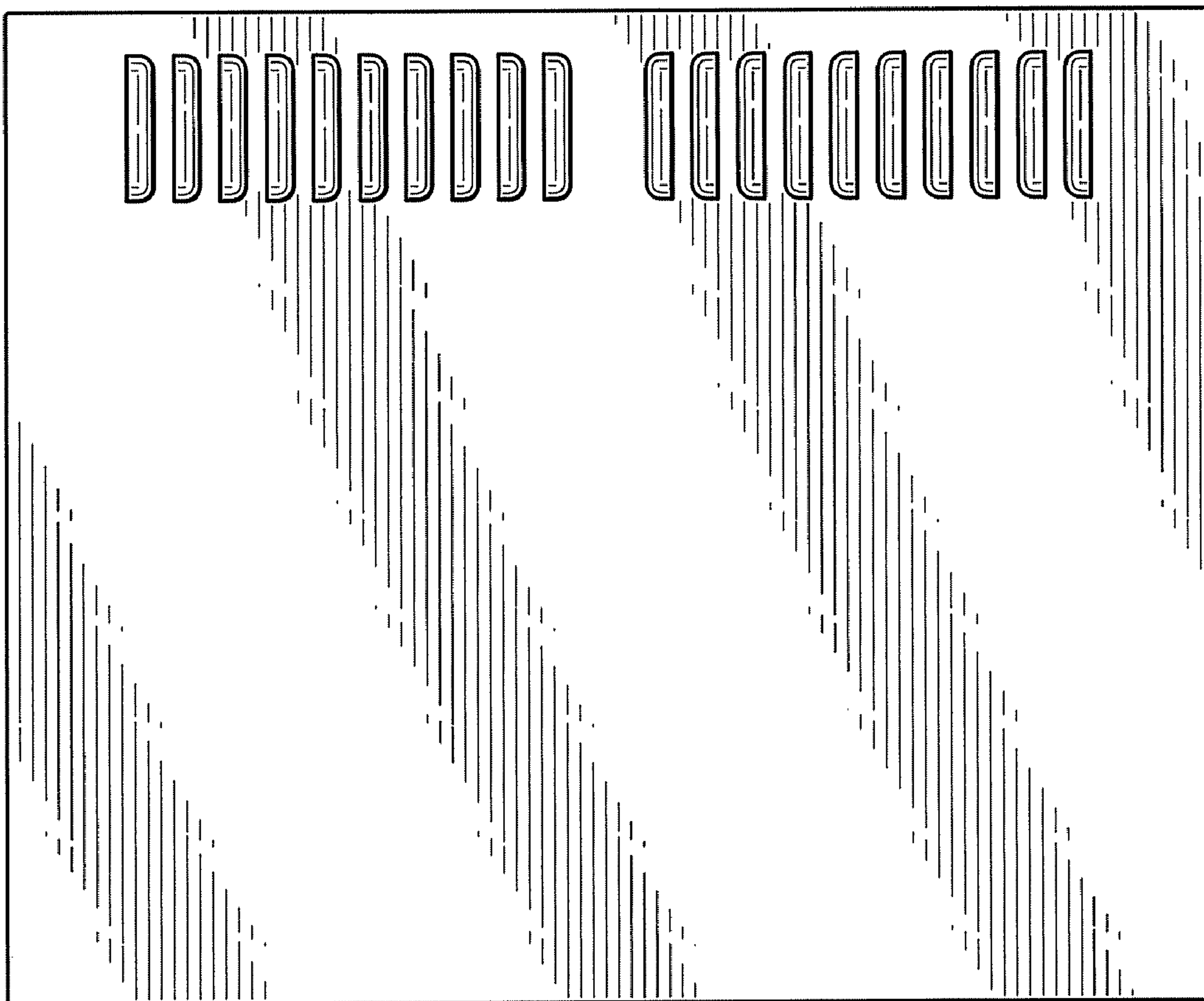


FIG-4

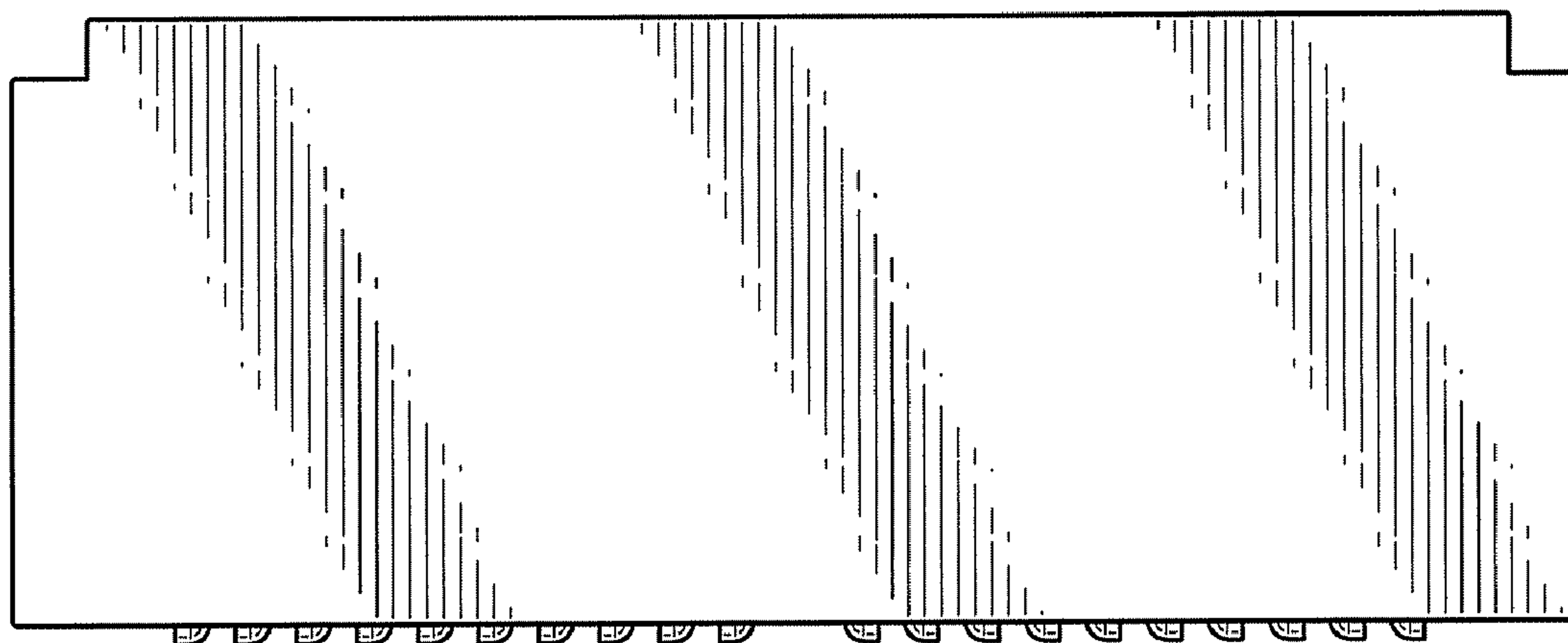


FIG-5

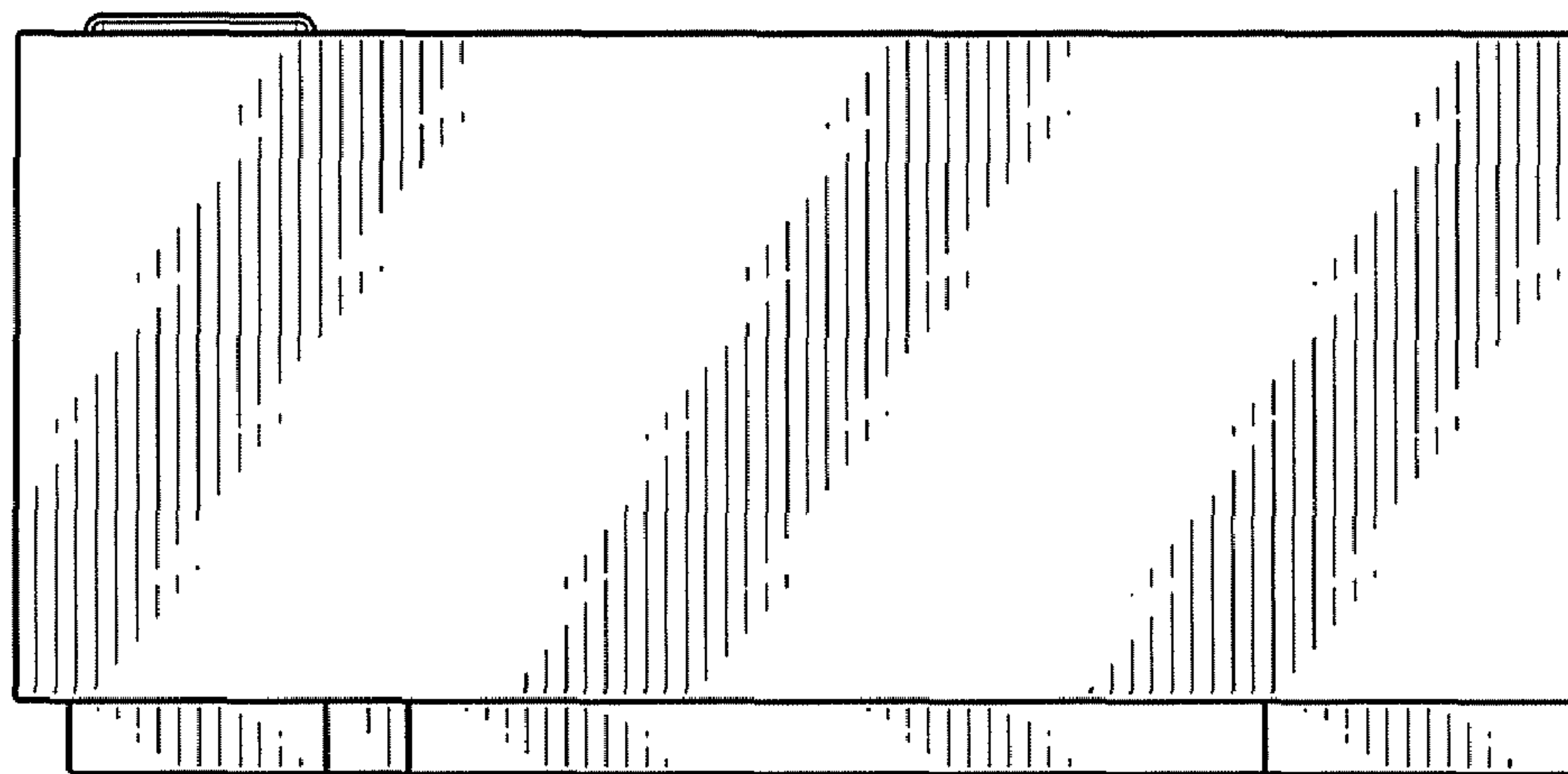


FIG-7

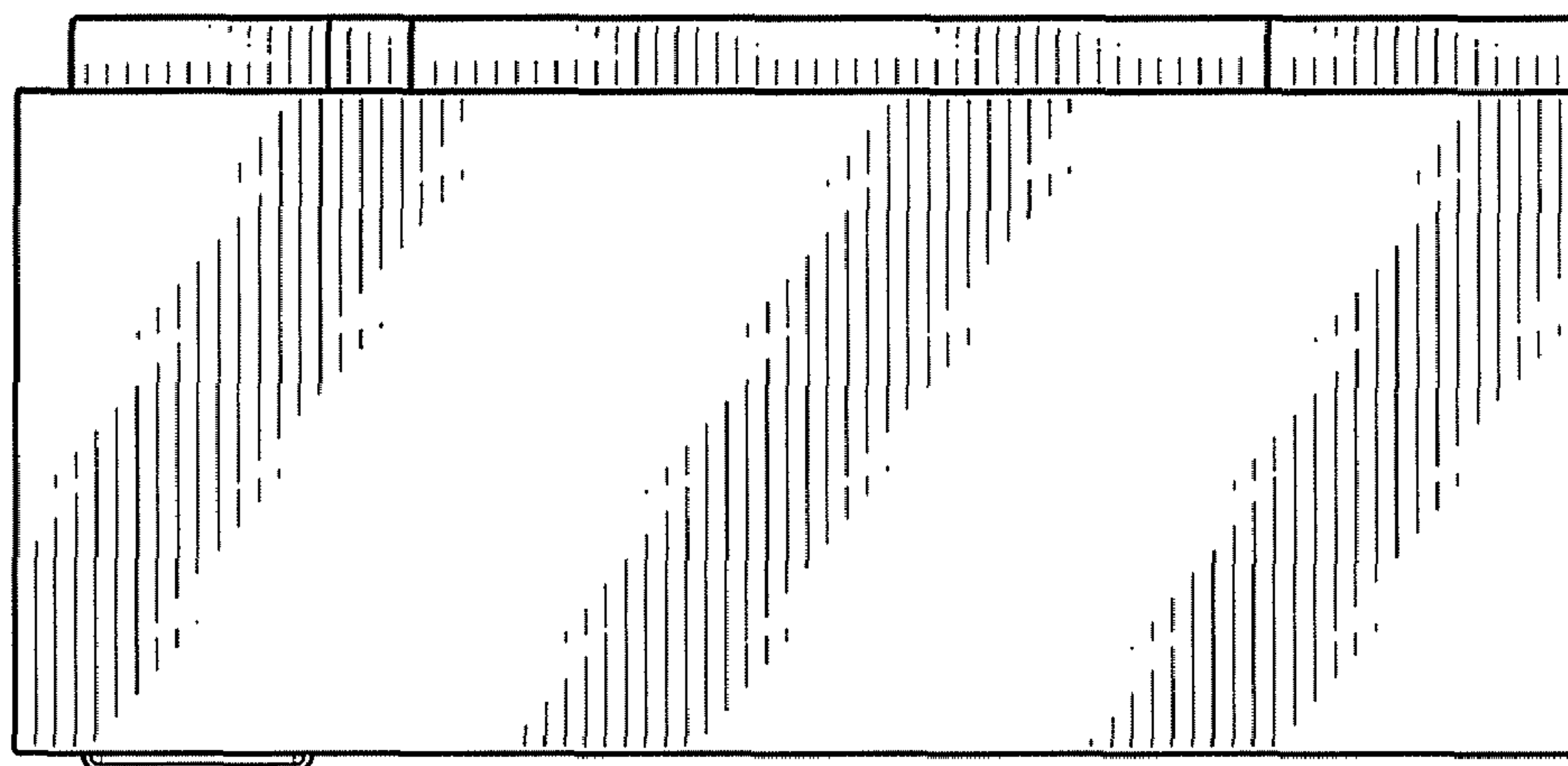


FIG-6

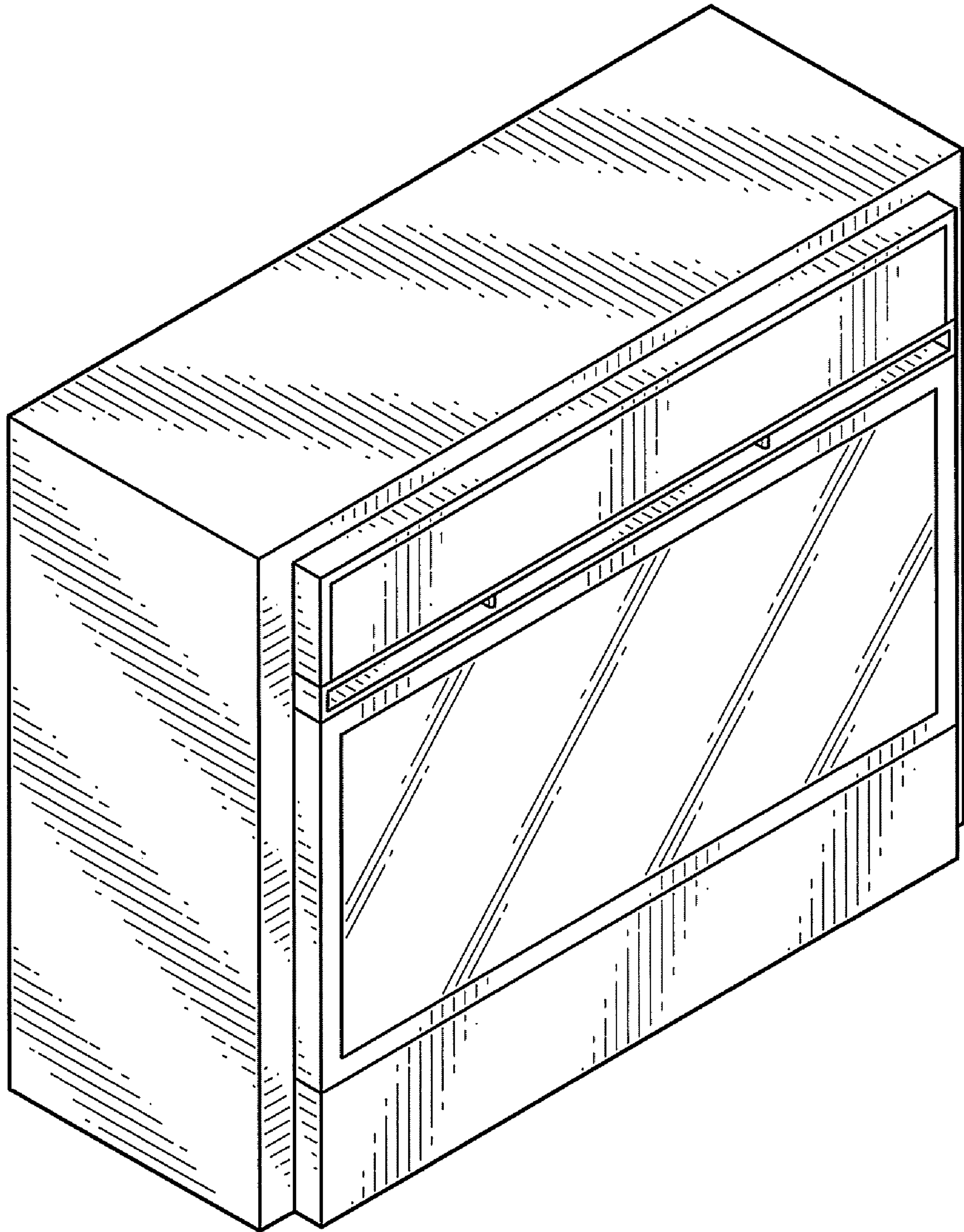


FIG-8

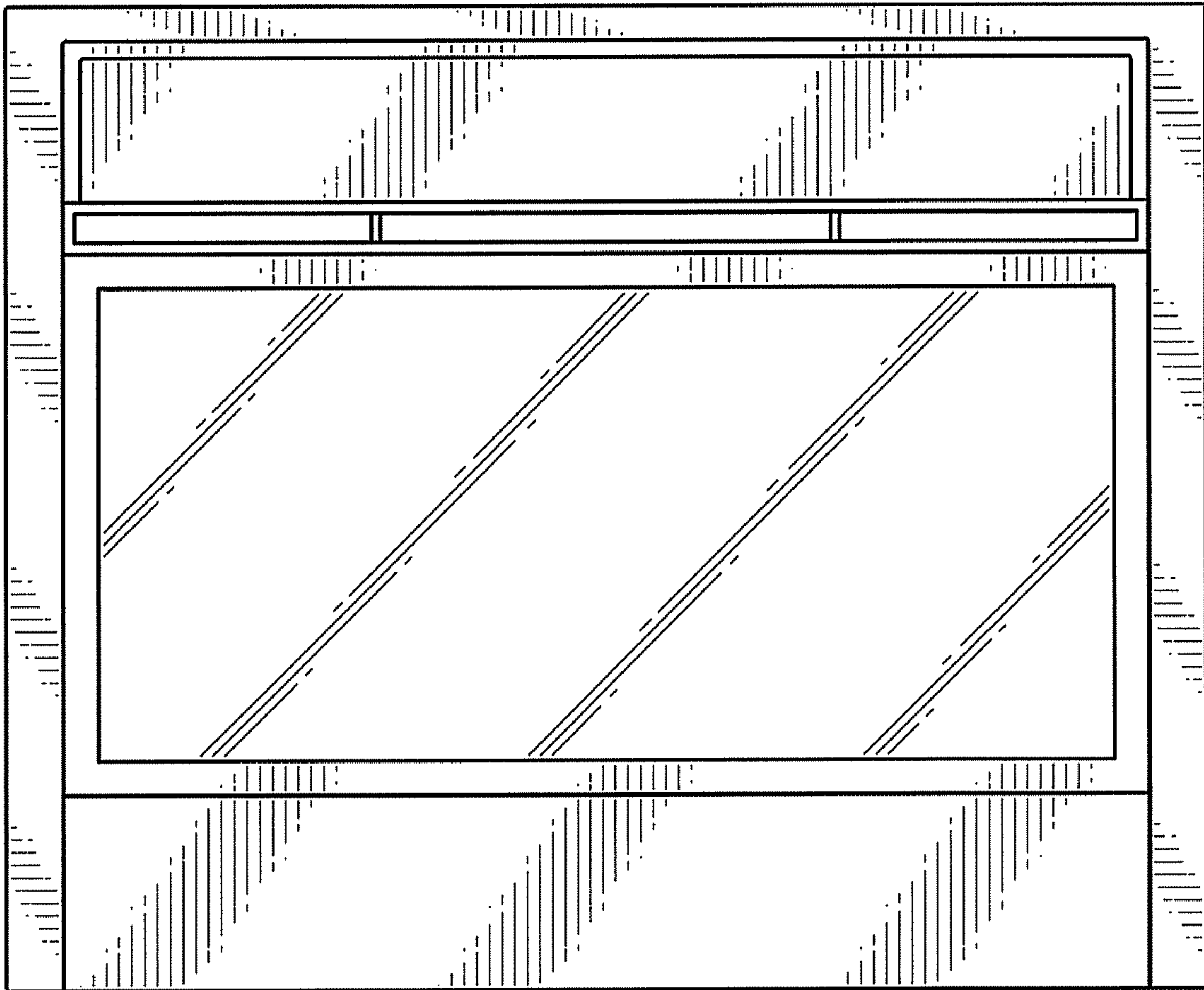


FIG-9