



US00D631529S

(12) **United States Design Patent**
Ko

(10) **Patent No.:** **US D631,529 S**
(45) **Date of Patent:** **** Jan. 25, 2011**

(54) **FAUCET**

(75) Inventor: **Hsi Chia Ko**, Changhua Hsien (TW)

(73) Assignee: **Chung Cheng Faucet Co., Ltd.**,
Changhua Hsien (TW)

(**) Term: **14 Years**

(21) Appl. No.: **29/300,793**

(22) Filed: **May 14, 2008**

Related U.S. Application Data

(62) Division of application No. 29/272,083, filed on Feb. 1, 2007, now Pat. No. Des. 582,007.

(51) **LOC (9) Cl.** **23-01**

(52) **U.S. Cl.** **D23/238; D23/242**

(58) **Field of Classification Search** **D23/238-257;**
4/675-678; 137/801

See application file for complete search history.

(56) **References Cited**

U.S. PATENT DOCUMENTS

D510,612 S * 10/2005 Lammel et al. D23/241
D515,671 S * 2/2006 Toyohara D23/241
D520,116 S * 5/2006 Koury et al. D23/241
D563,525 S * 3/2008 Zhu D23/242

D577,422 S * 9/2008 Williams D23/241
D581,491 S * 11/2008 Yuan D23/254
D582,007 S * 12/2008 Ko D23/238
D582,010 S * 12/2008 Chen D23/238
D587,786 S * 3/2009 Williams D23/252
D608,859 S * 1/2010 Schoenherr et al. D23/242

* cited by examiner

Primary Examiner—T. Chase Nelson

Assistant Examiner—Ania K Dworzecka

(74) *Attorney, Agent, or Firm*—Senniger Powers LLP

(57) **CLAIM**

The ornamental design for the faucet, as shown and described.

DESCRIPTION

FIG. 1 is a perspective view of a faucet showing my new design;

FIG. 2 is a front elevation view thereof;

FIG. 3 is a rear elevation view thereof;

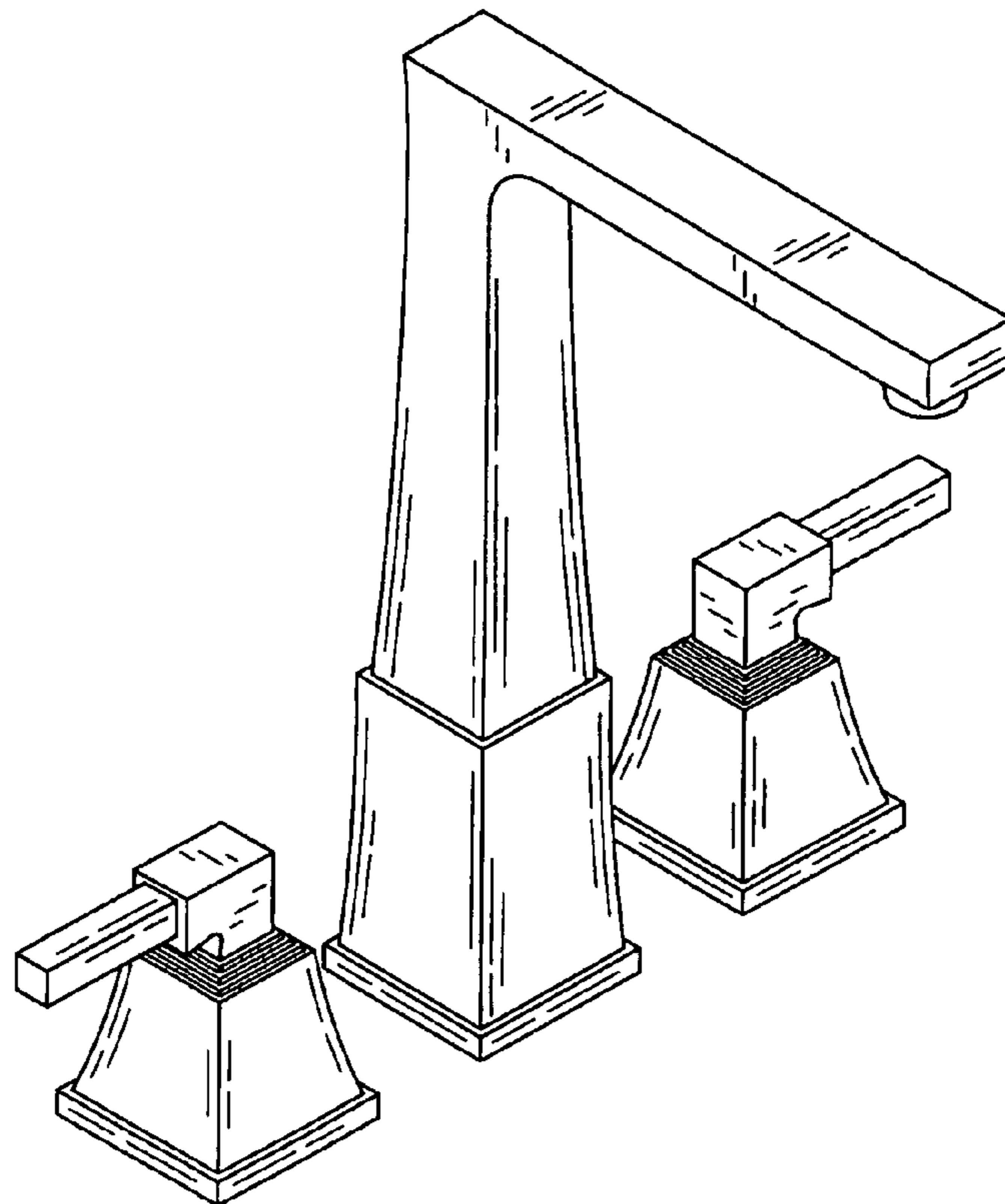
FIG. 4 is a left side elevation view thereof;

FIG. 5 is a right side elevation view thereof;

FIG. 6 is a top plan view thereof; and,

FIG. 7 is a bottom plan view thereof.

1 Claim, 7 Drawing Sheets



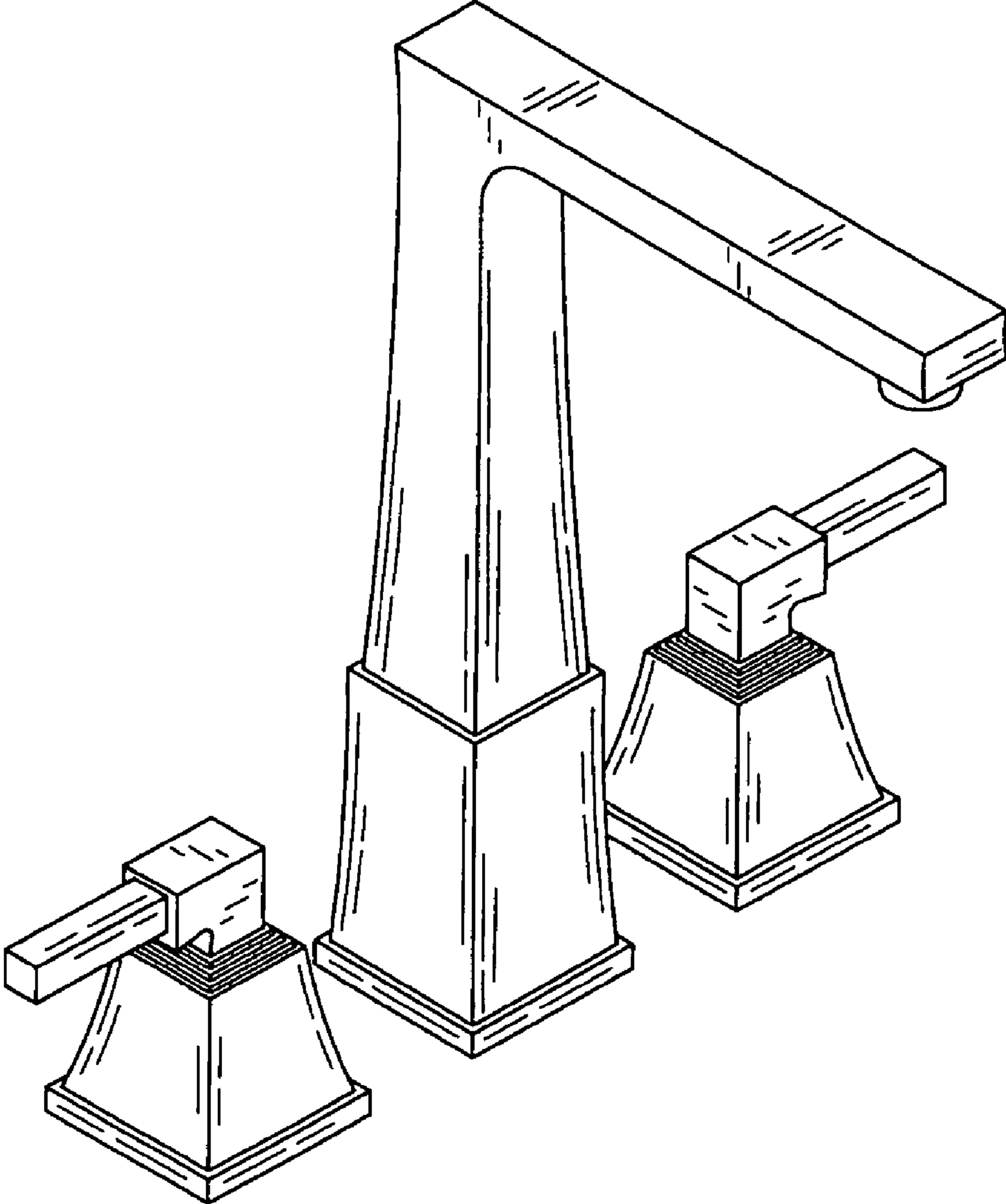


Fig 1

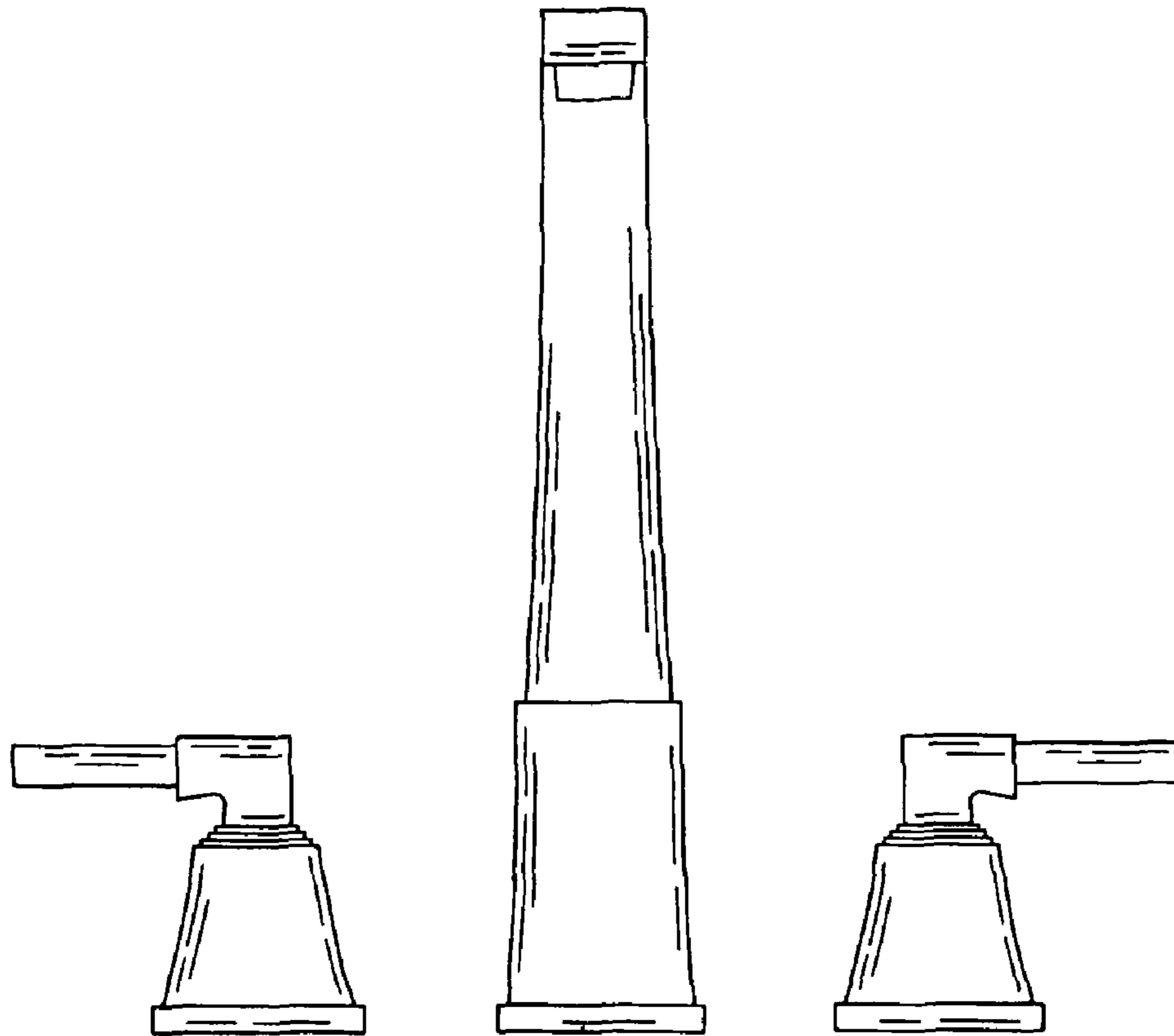


Fig 2

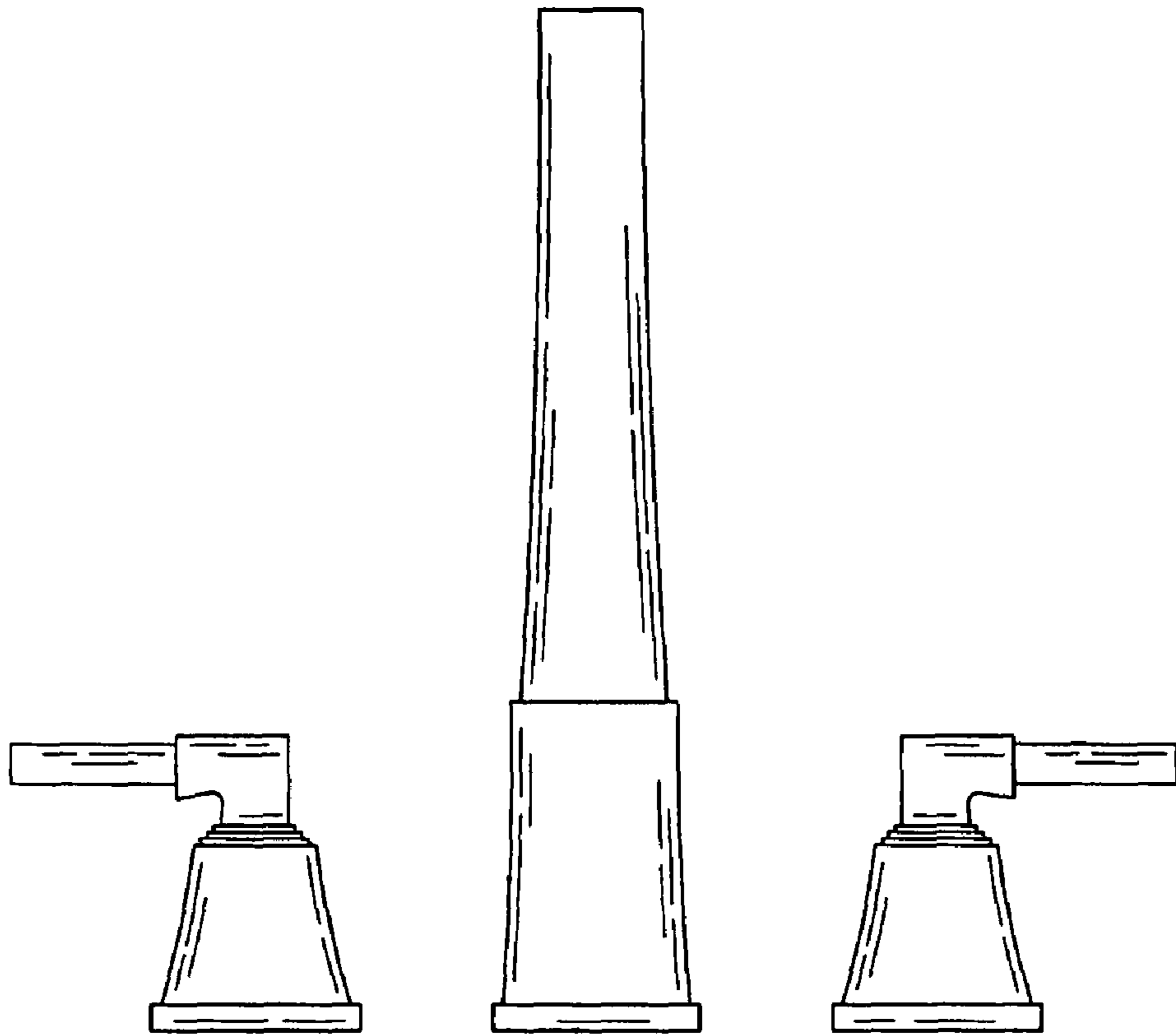


Fig 3

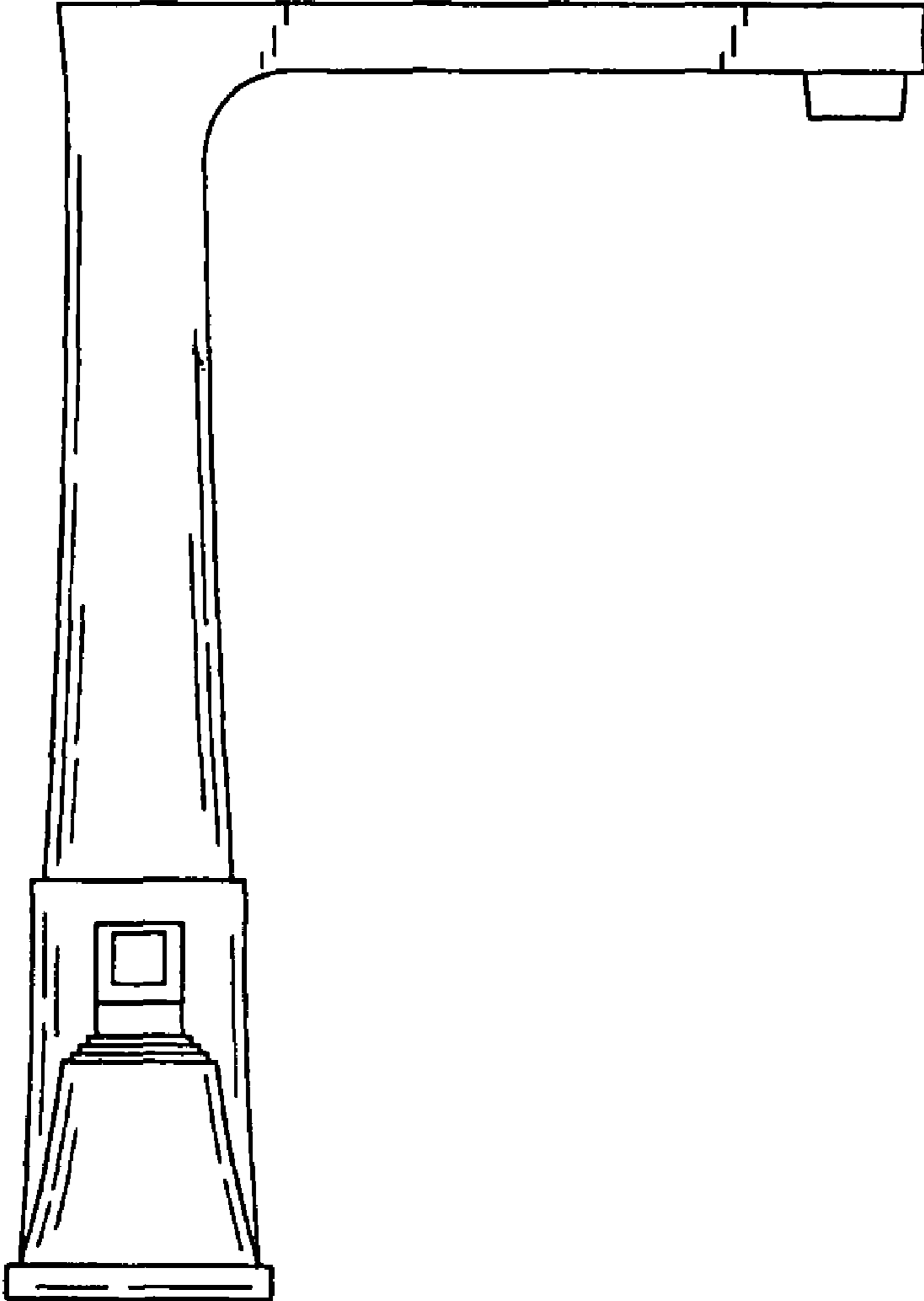


Fig 4

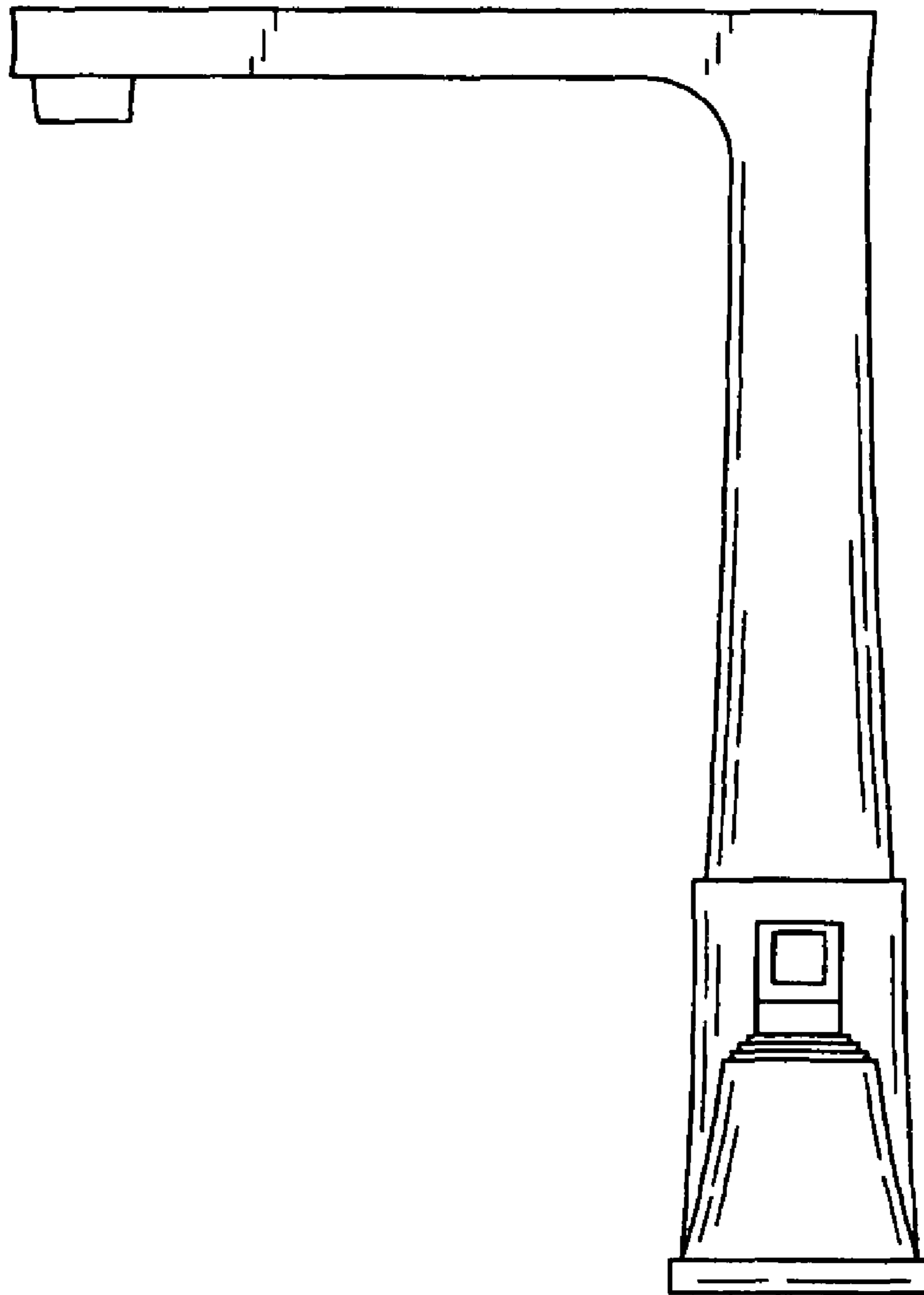


Fig 5

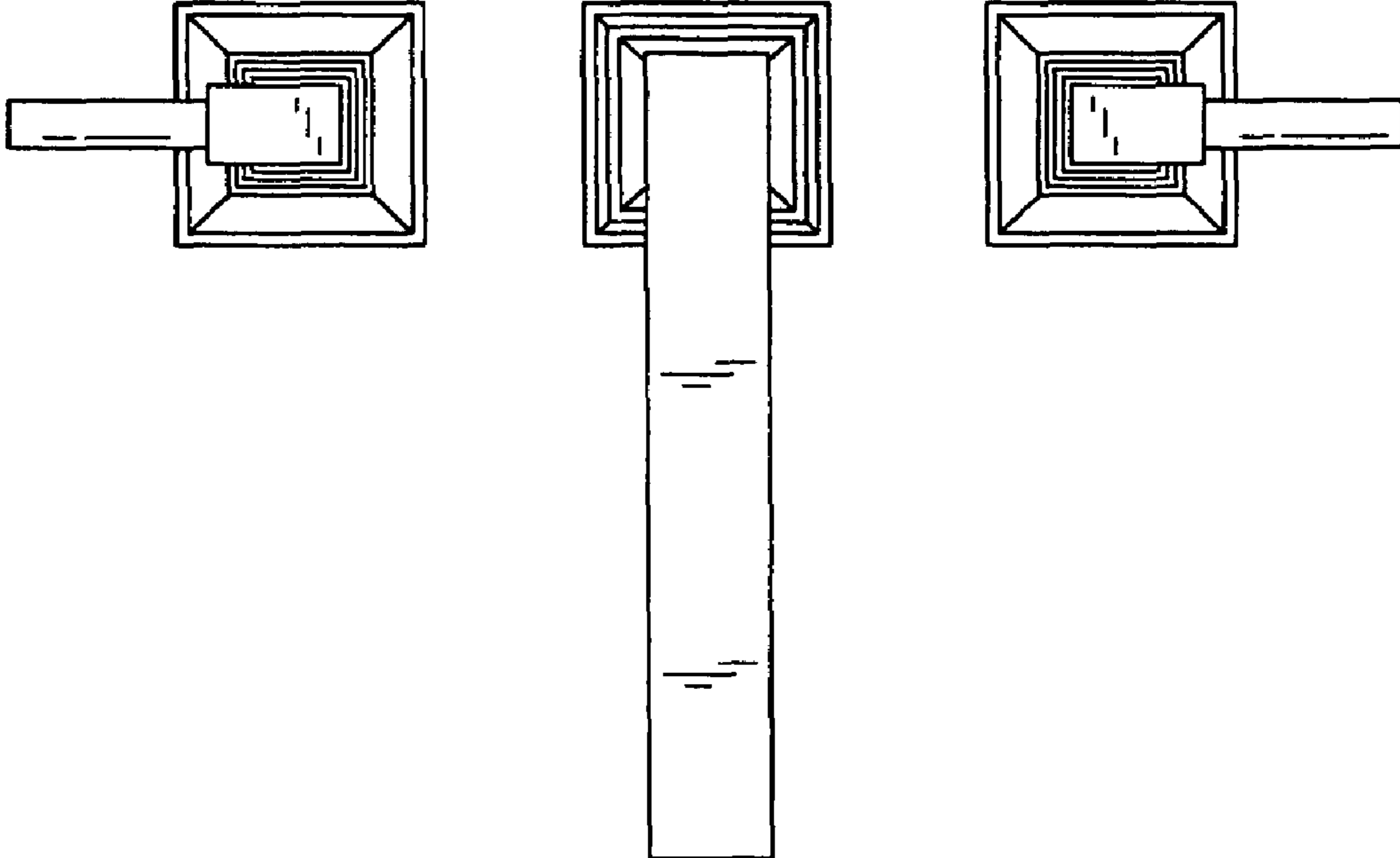


Fig 6

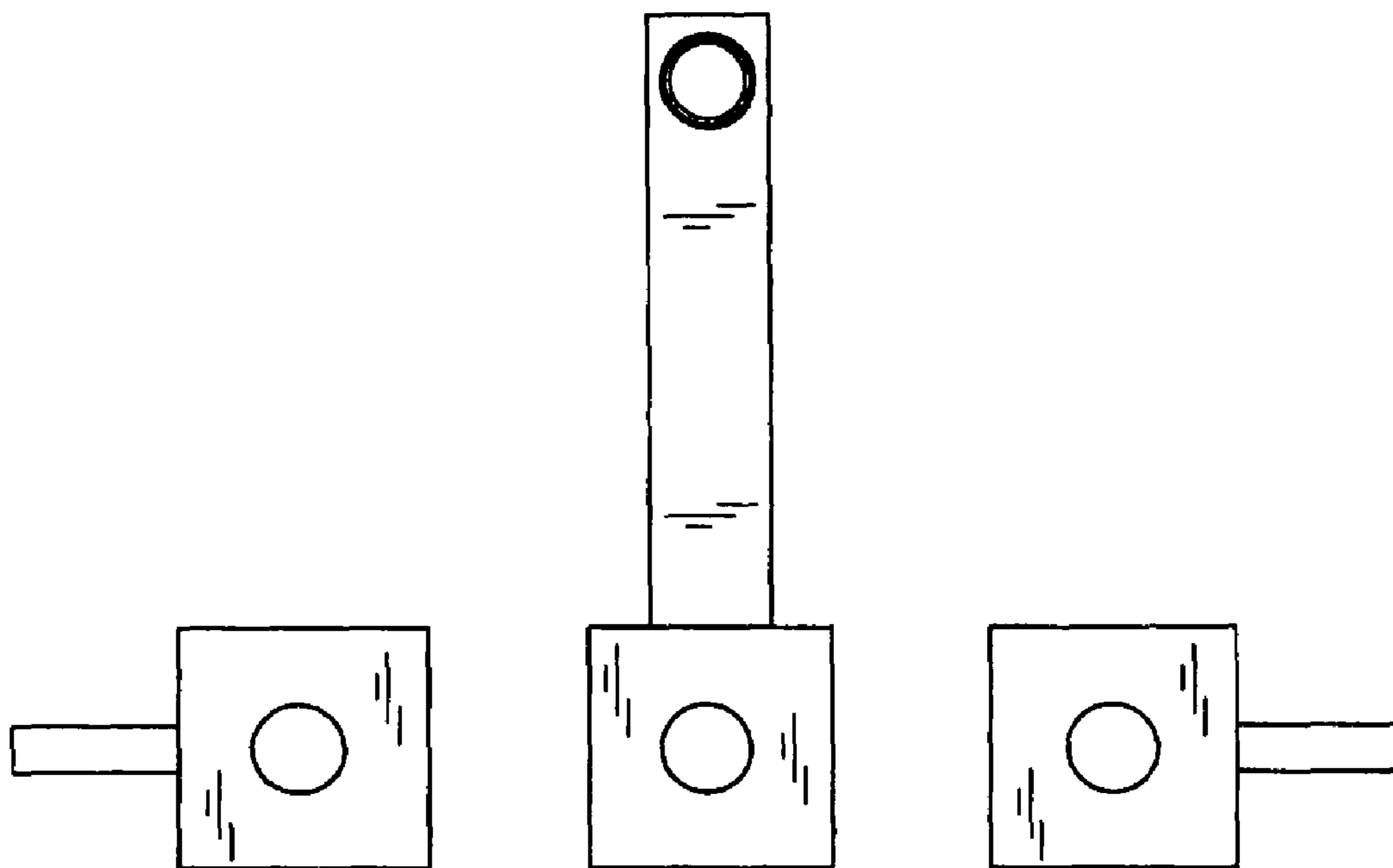


Fig 7