



US00D631528S

(12) **United States Design Patent**  
**Wang**

(10) **Patent No.:** **US D631,528 S**

(45) **Date of Patent:** **\*\* Jan. 25, 2011**

(54) **SHOWERHEAD**

D620,078 S \* 7/2010 Jian et al. .... D23/229

(75) Inventor: **Tien-I Wang**, Taichung (TW)

\* cited by examiner

(73) Assignee: **Globe Union Industrial Corp.**,  
Taichung (TW)

*Primary Examiner*—Robin V Webster  
(74) *Attorney, Agent, or Firm*—Leong C. Lei

(\*\*) Term: **14 Years**

(57) **CLAIM**

(21) Appl. No.: **29/359,642**

The ornamental design for a showerhead, as shown and described.

(22) Filed: **Apr. 14, 2010**

**DESCRIPTION**

(51) **LOC (9) Cl.** ..... **23-01**

(52) **U.S. Cl.** ..... **D23/213; D23/229**

(58) **Field of Classification Search** ..... D23/213,  
D23/223, 229, 230; 239/462, 394, 282–283;  
4/615

FIG. 1 is a perspective view of a showerhead showing my new design;

FIG. 2 is a front elevational view thereof;

FIG. 3 is a rear elevational view thereof;

FIG. 4 is a left side elevational view thereof;

FIG. 5 is a top plan view thereof; and,

FIG. 6 is a bottom plan view thereof.

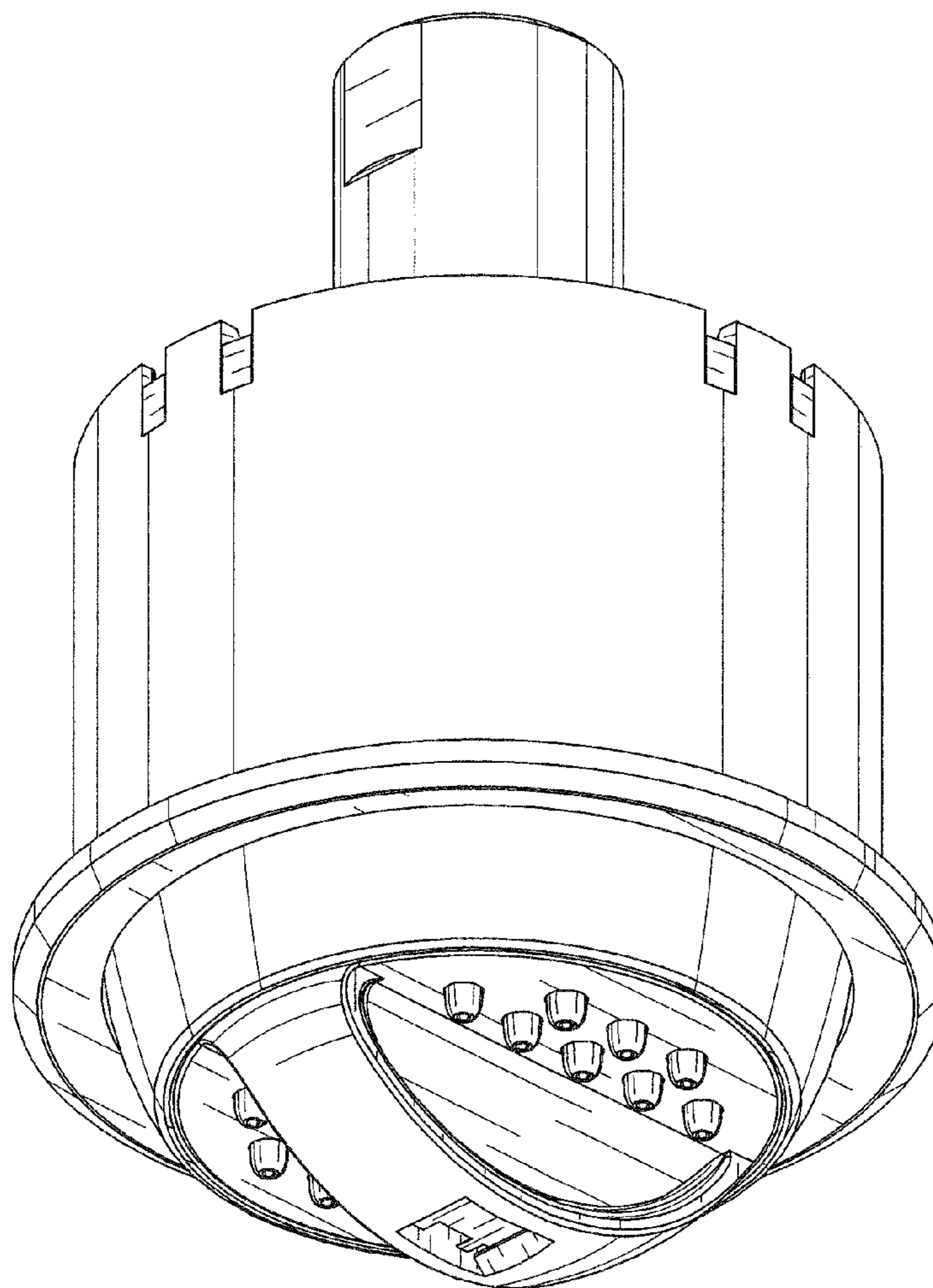
See application file for complete search history.

(56) **References Cited**

**U.S. PATENT DOCUMENTS**

D579,518 S \* 10/2008 Shieh ..... D23/229

**1 Claim, 6 Drawing Sheets**



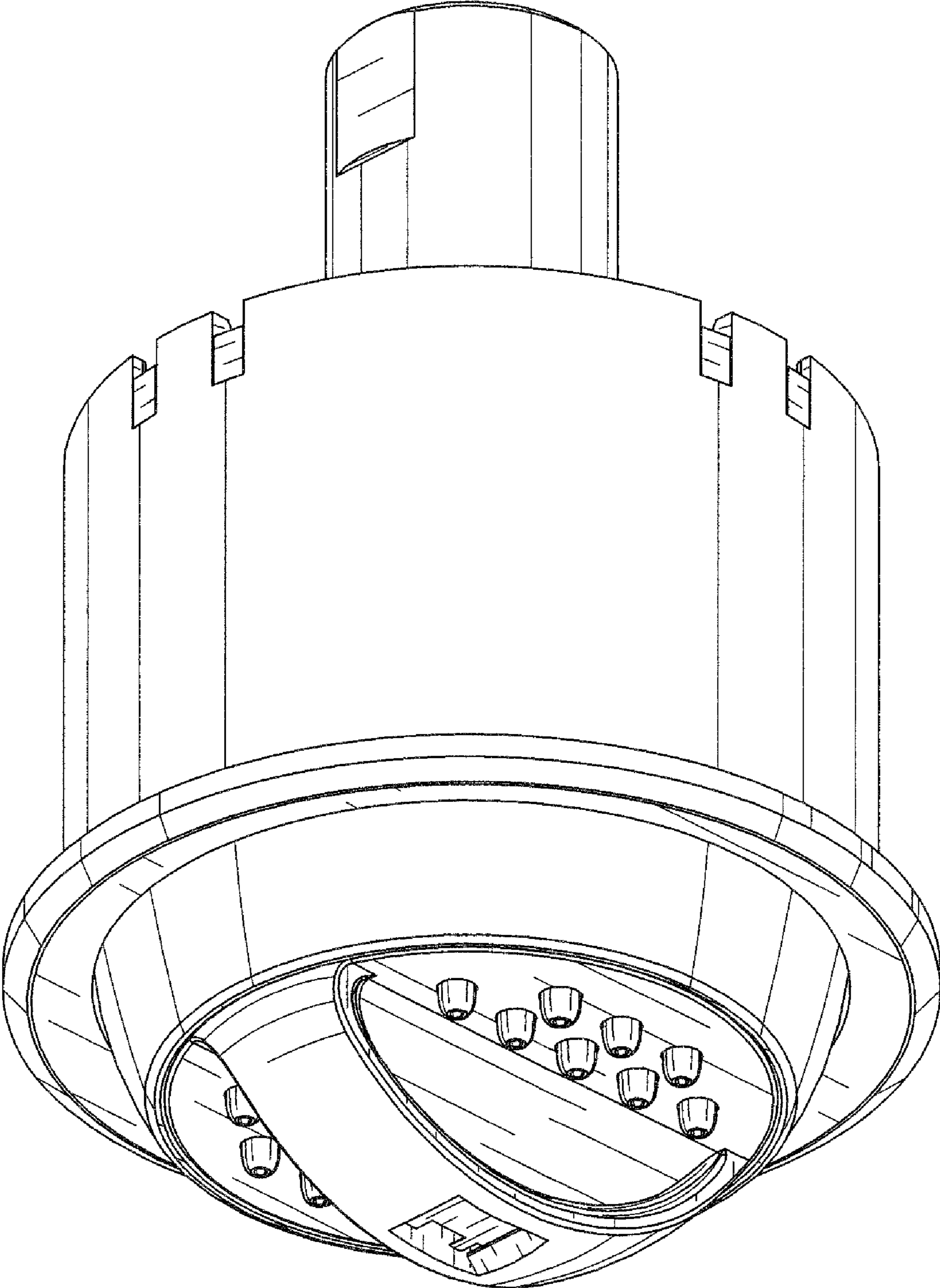


FIG. 1

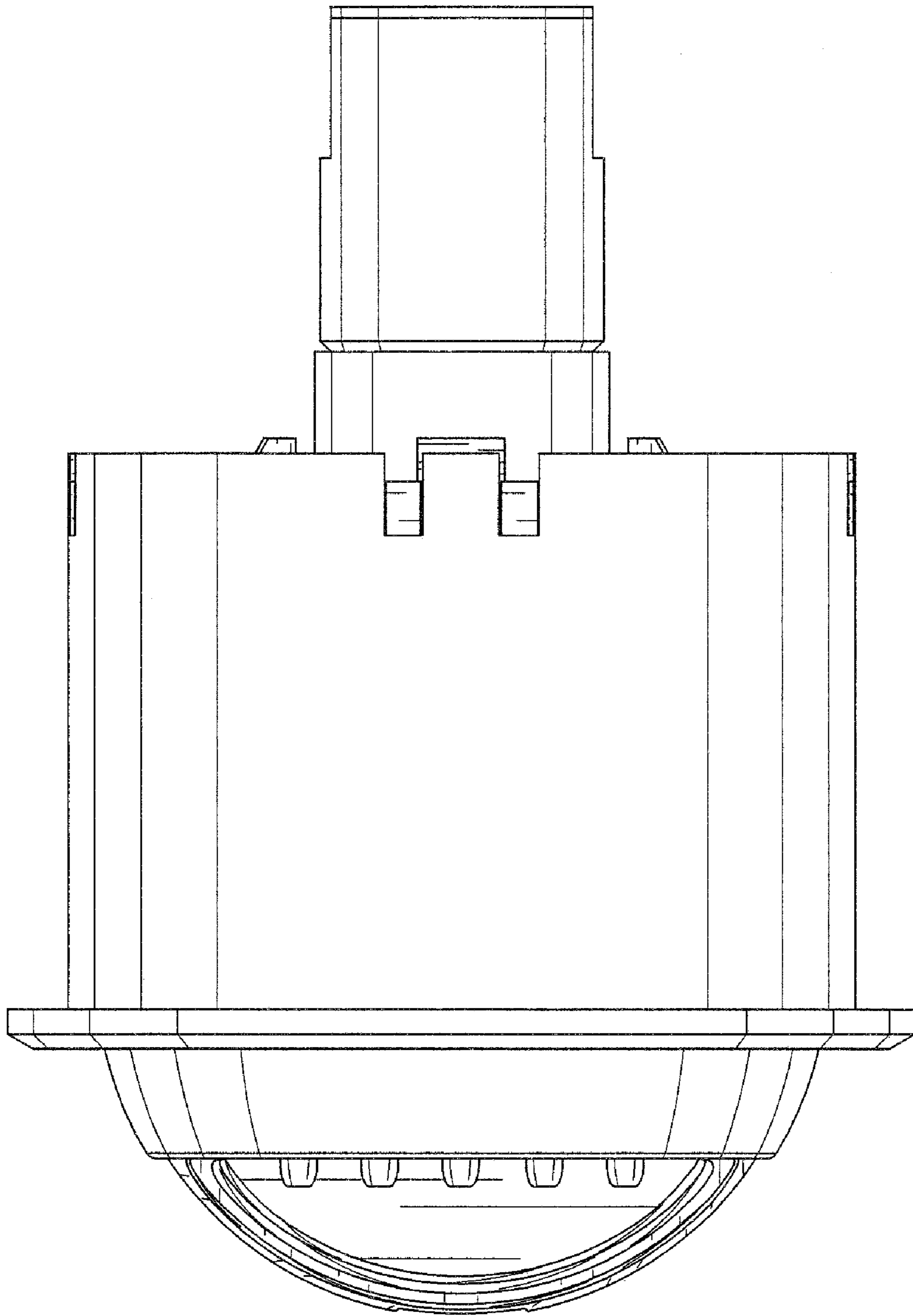


FIG. 2

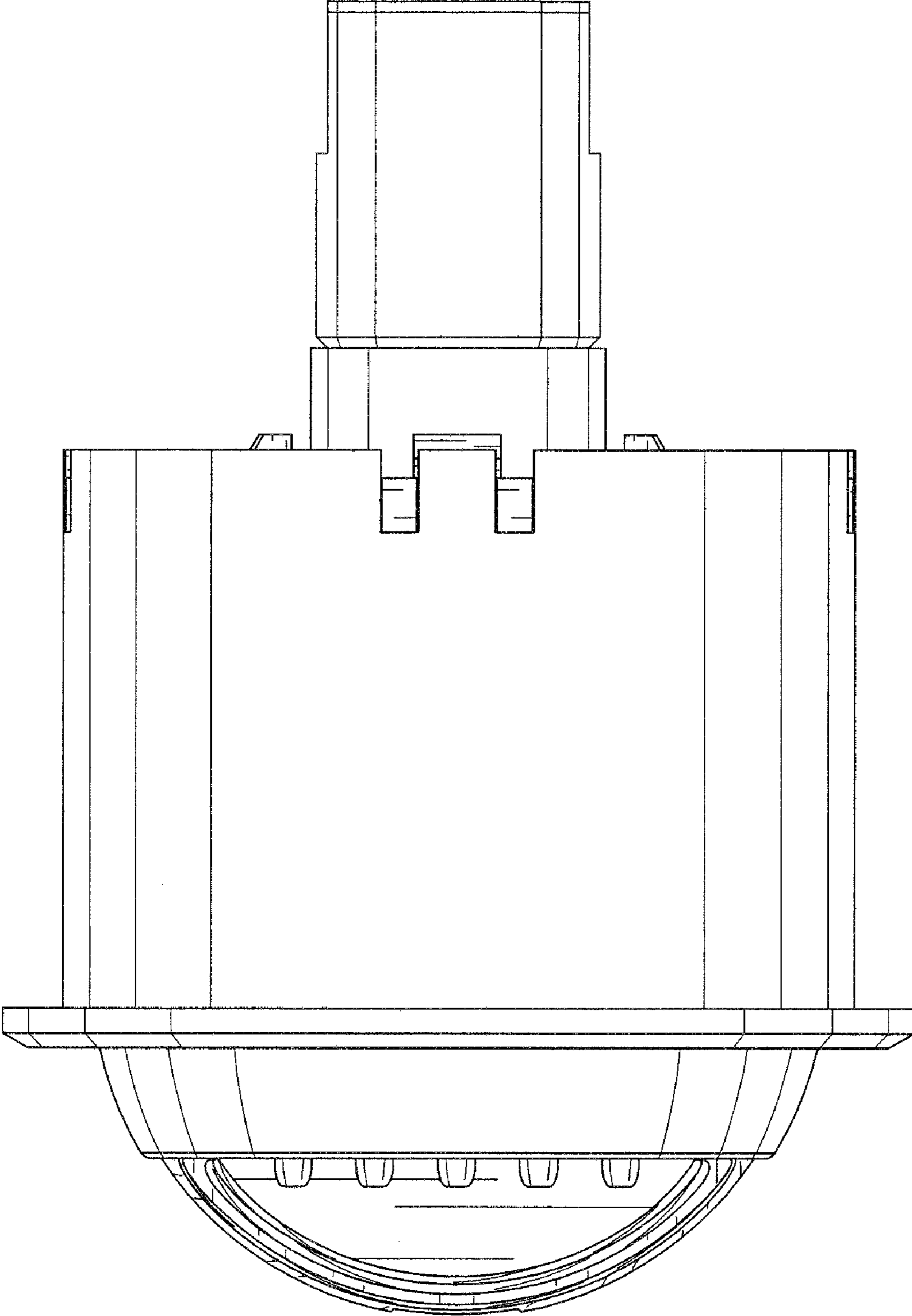


FIG. 3

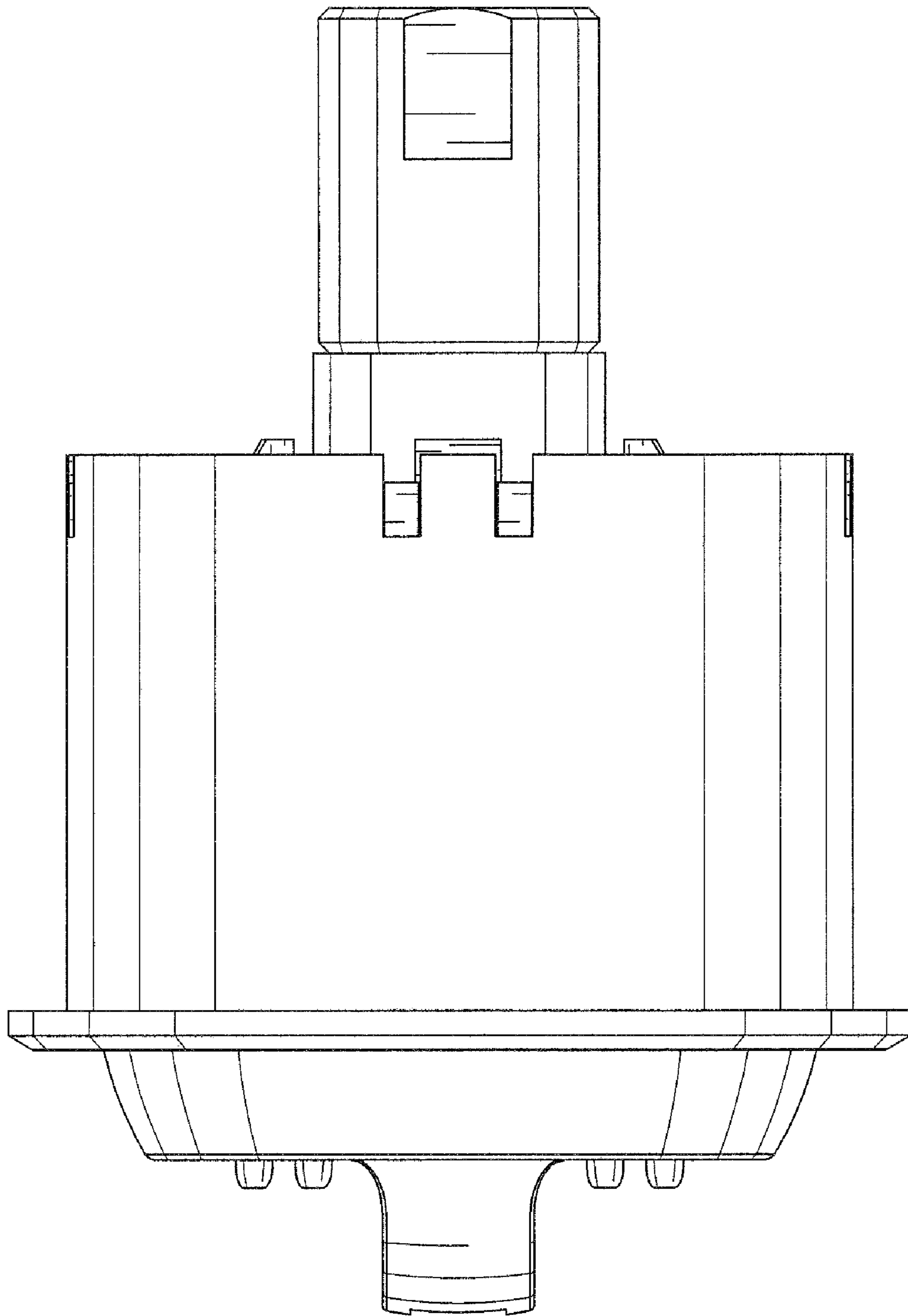


FIG. 4



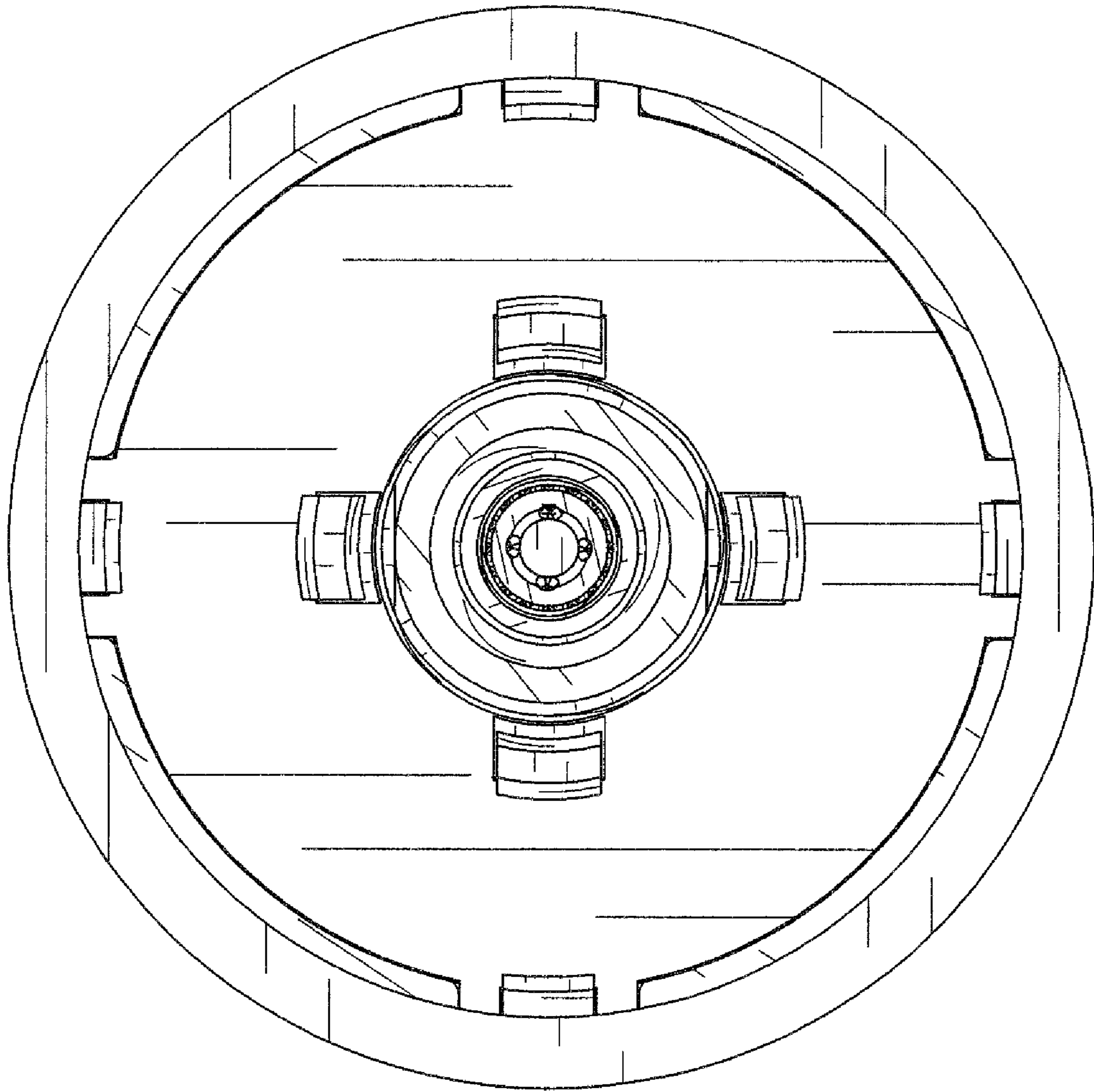


FIG. 5

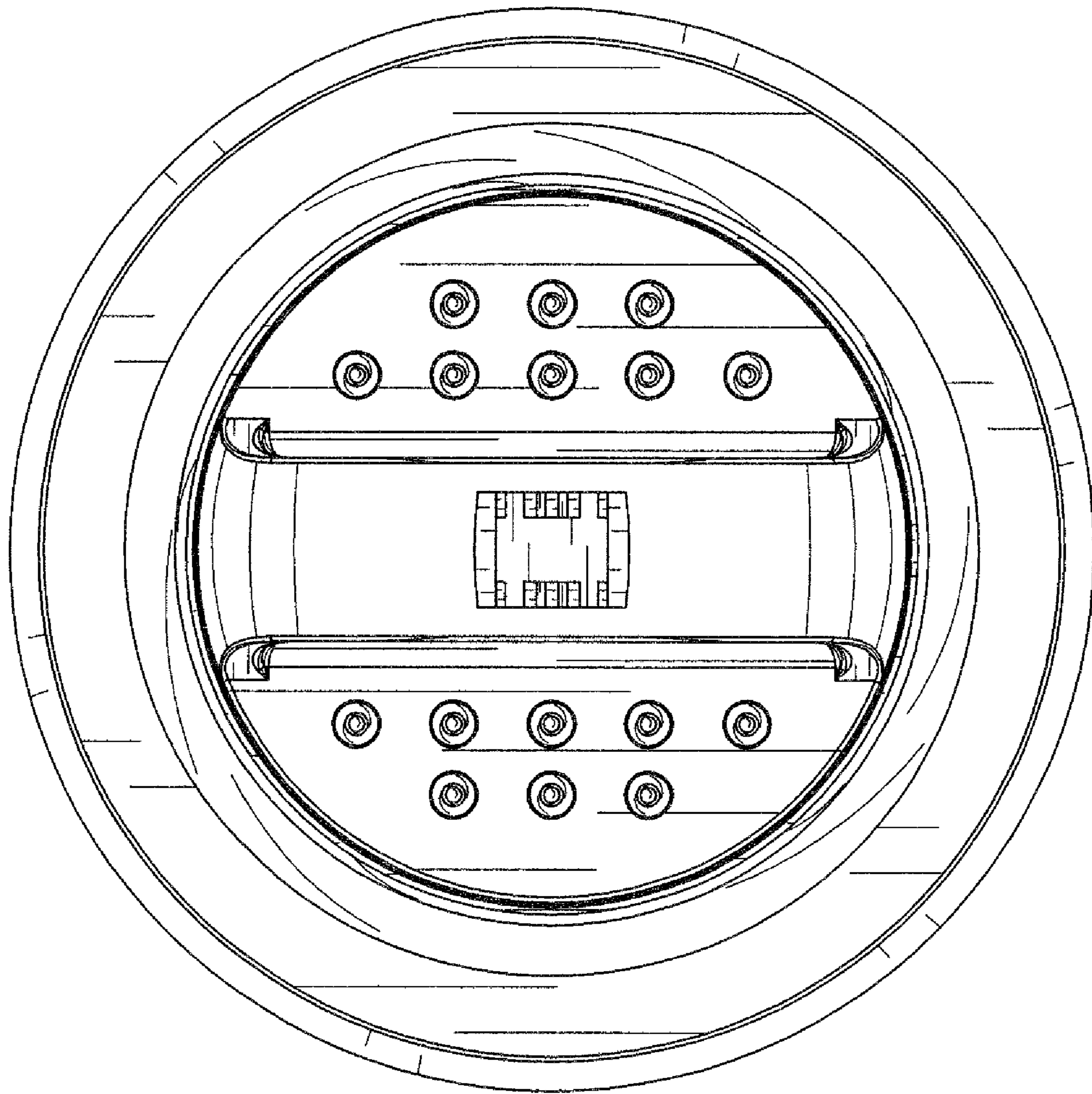


FIG. 6