



US00D631525S

(12) **United States Design Patent**
Smith et al.

(10) **Patent No.:** **US D631,525 S**
(45) **Date of Patent:** **** Jan. 25, 2011**

(54) **CLAMPING APPARATUS**
(75) Inventors: **Cade Smith**, Mesa, AZ (US); **Jay Lopeman**, Queen Creek, AZ (US)
(73) Assignee: **Triclawps, L.L.C.**, Gilbert, AZ (US)
(**) Term: **14 Years**
(21) Appl. No.: **29/326,932**
(22) Filed: **Oct. 27, 2008**
(51) **LOC (9) Cl.** **22-01**
(52) **U.S. Cl.** **D22/108**
(58) **Field of Classification Search** D22/100,
D22/108, 109; D8/1, 380, 381; D6/417,
D6/552; 89/37.04, 40.1, 40.03; 211/64,
211/89; 248/156, 530, 872; 102/430; 224/311,
224/323, 413, 442, 448, 456, 461, 515, 551,
224/558, 571
See application file for complete search history.

6,991,384 B1 1/2006 Davis
7,086,192 B2 * 8/2006 Deros 42/94
7,121,034 B2 10/2006 Keng
7,163,181 B2 1/2007 Omps
7,222,451 B2 5/2007 Keng et al.
D555,224 S * 11/2007 Florea et al. D22/109
7,356,960 B1 4/2008 Knitt
D589,337 S * 3/2009 Karlsson D8/394
2003/0140543 A1 7/2003 Yeargin
2004/0237372 A1 * 12/2004 Frye 42/94
2006/0278797 A1 * 12/2006 Keng et al. 248/440.1
2007/0157502 A1 7/2007 Holmberg
2008/0156948 A1 7/2008 Cameron et al.
2008/0163532 A1 7/2008 Moody et al.
2009/0205238 A1 * 8/2009 Willis, Jr. 42/94
* cited by examiner

Primary Examiner—T. Chase Nelson
Assistant Examiner—Michael A Pratt
(74) *Attorney, Agent, or Firm*—John D. Titus

(57) **CLAIM**

The ornamental design for a clamping apparatus, as shown and described.

DESCRIPTION

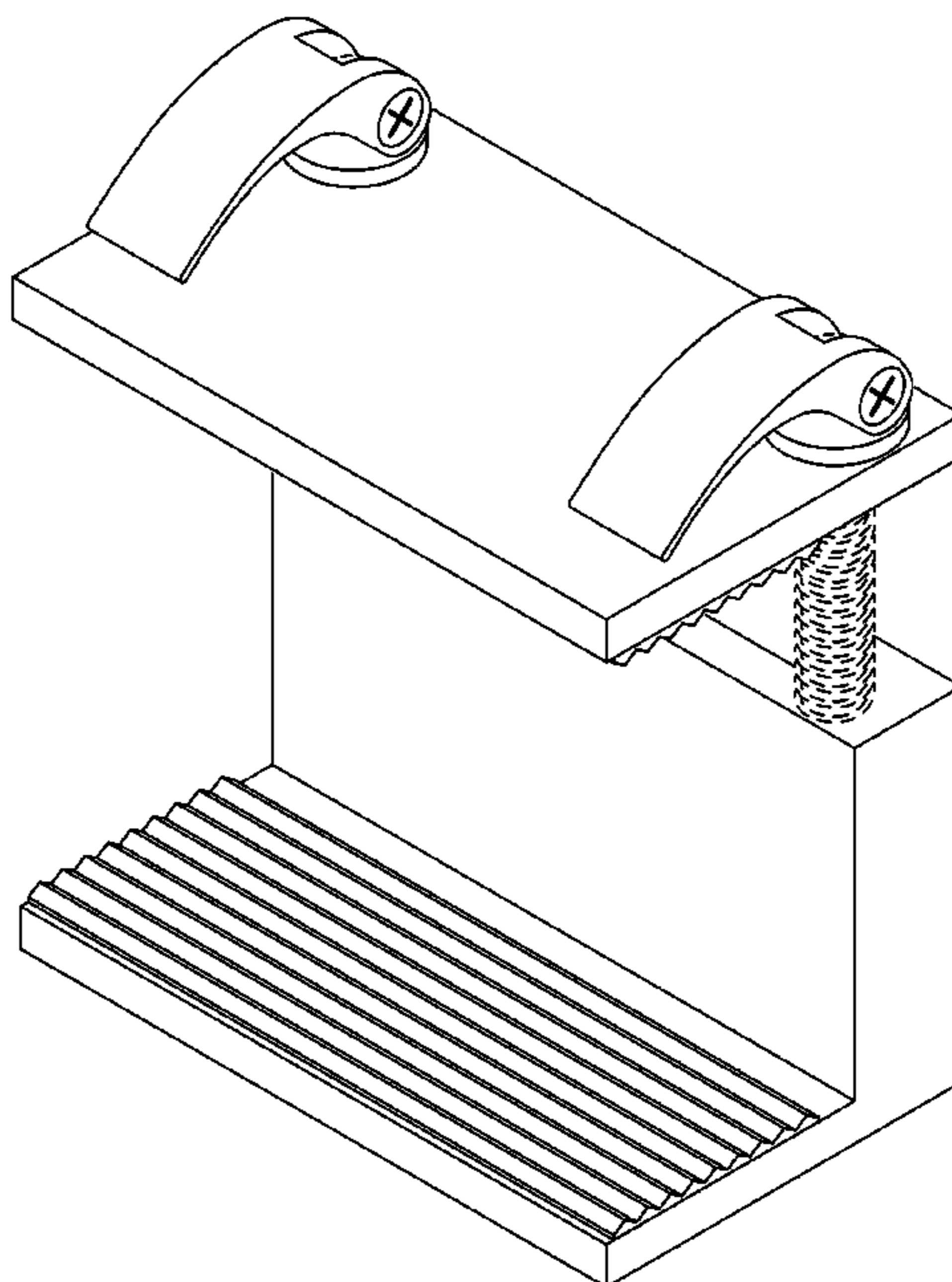
FIG. 1 is a perspective view of clamping apparatus showing the new design;
FIG. 2 is a front view thereof;
FIG. 3 is a back view thereof;
FIG. 4 is a top side view thereof;
FIG. 5 is a bottom view thereof;
FIG. 6 is a left view thereof; and,
FIG. 7 is a right view thereof.

1 Claim, 4 Drawing Sheets

(56) **References Cited**

U.S. PATENT DOCUMENTS

3,225,656 A * 12/1965 Flaherty et al. 89/37.04
3,800,312 A 3/1974 Brandt
4,057,816 A 11/1977 Killian, Jr. et al.
5,074,188 A * 12/1991 Harris 89/37.04
5,274,940 A * 1/1994 Guzy 42/94
5,347,740 A 9/1994 Rather et al.
5,491,919 A 2/1996 Rather et al.
5,628,135 A * 5/1997 Cady 42/94
D415,239 S * 10/1999 Fell et al. D22/110
D425,771 S * 5/2000 Dearing et al. D8/72
6,123,306 A 9/2000 Jackson
D435,417 S * 12/2000 Miller D8/73
6,935,065 B1 8/2005 Oliver



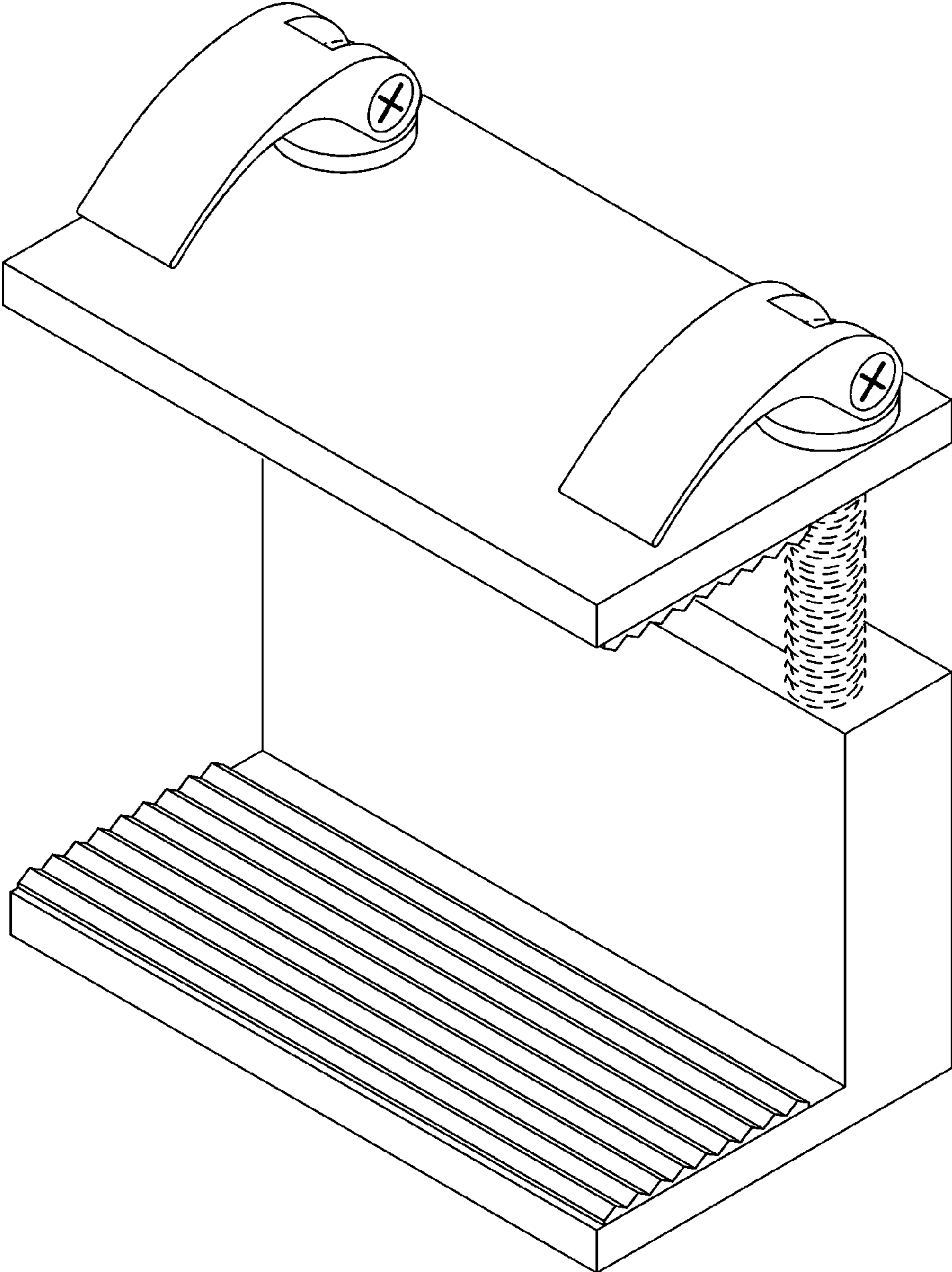


Fig. 1

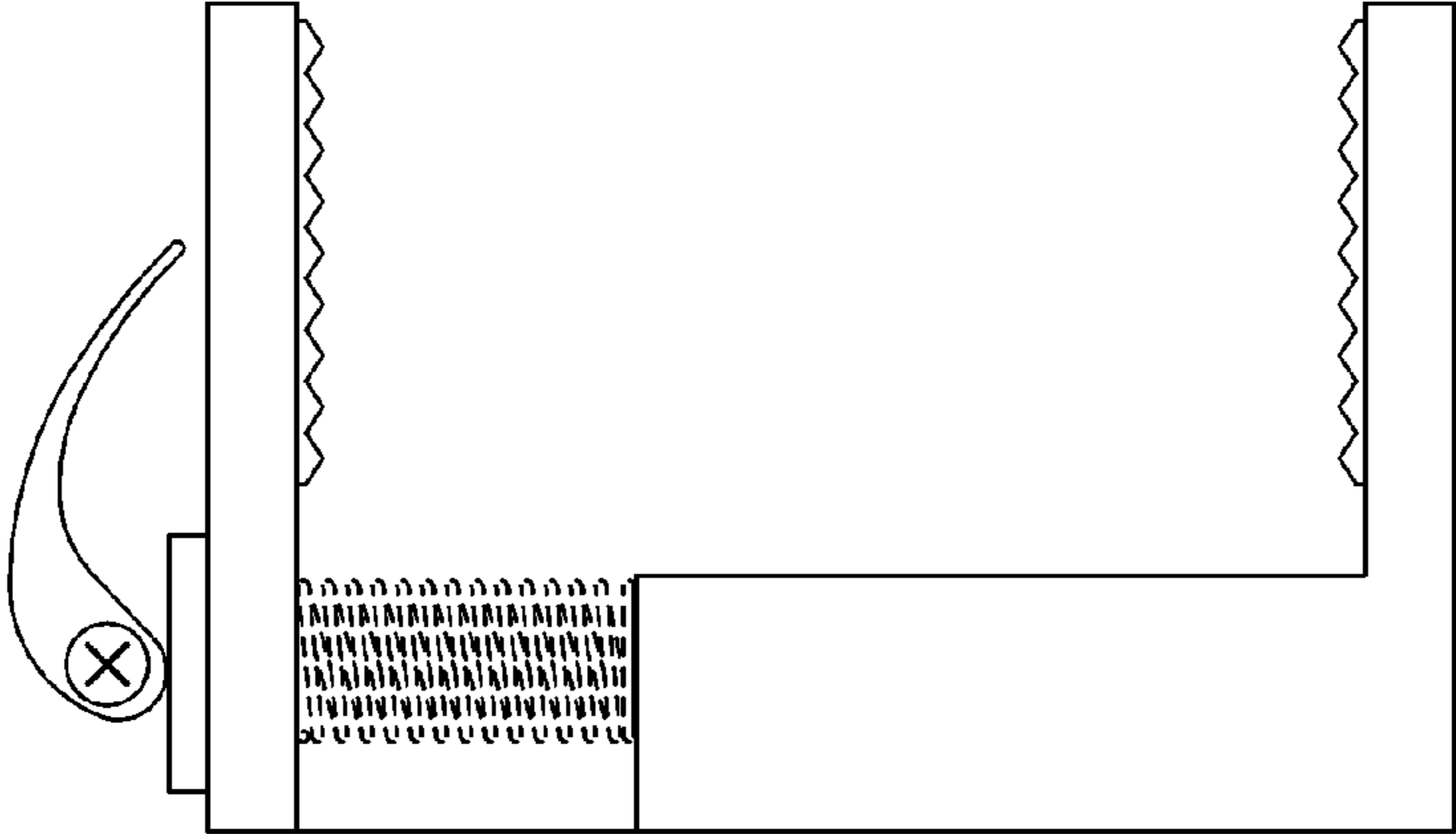


Fig. 2

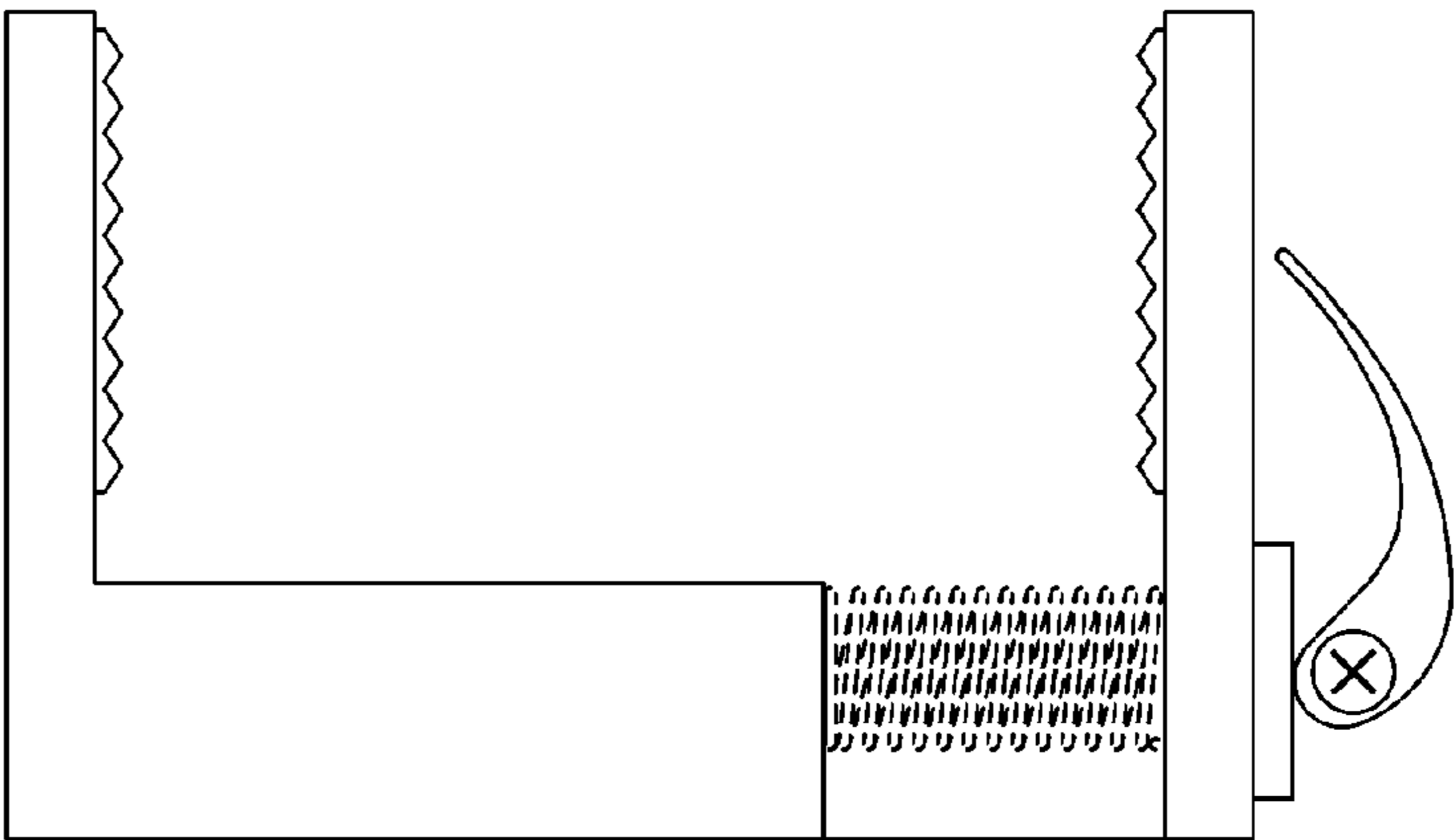


Fig. 3

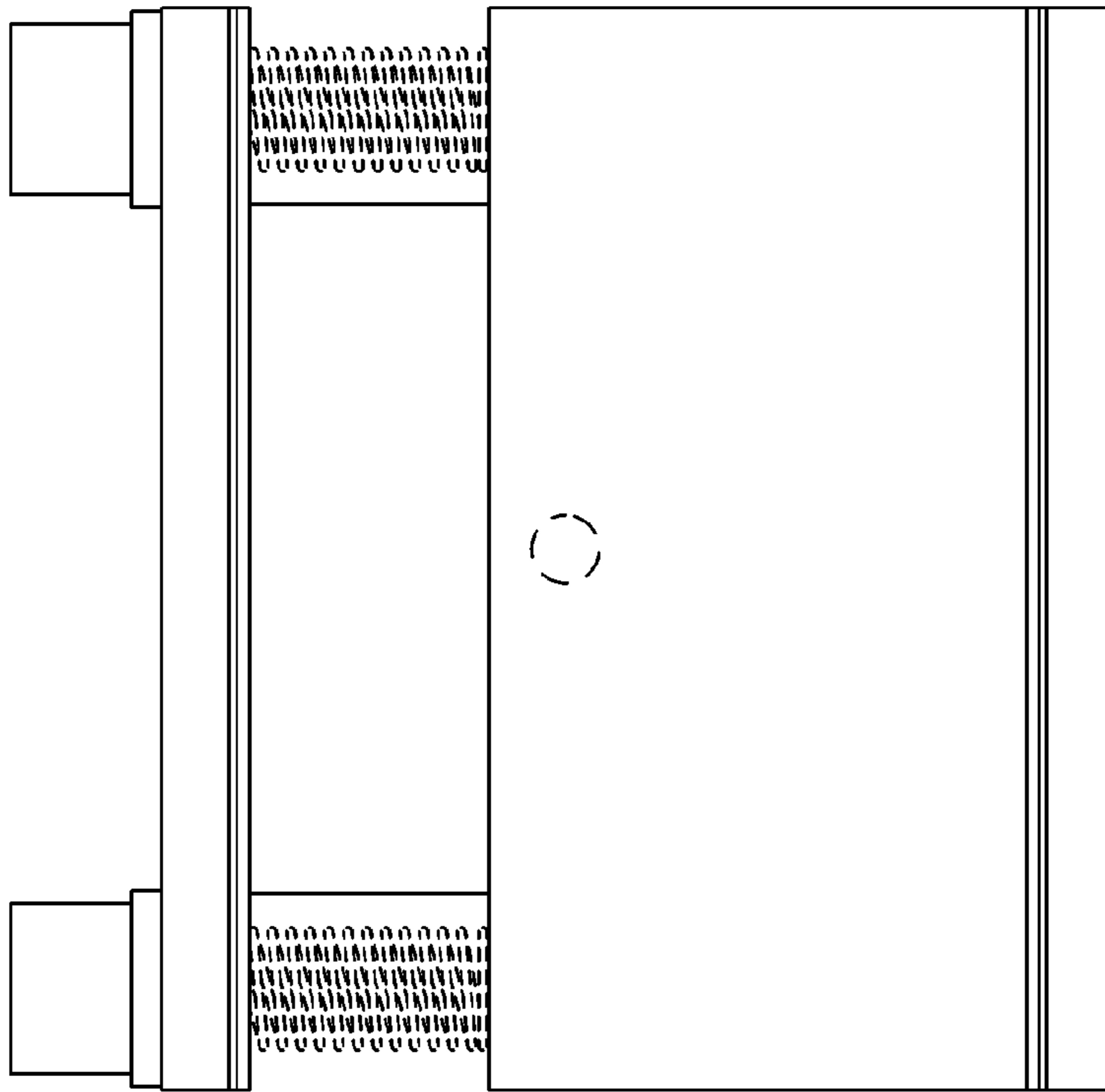


Fig. 4

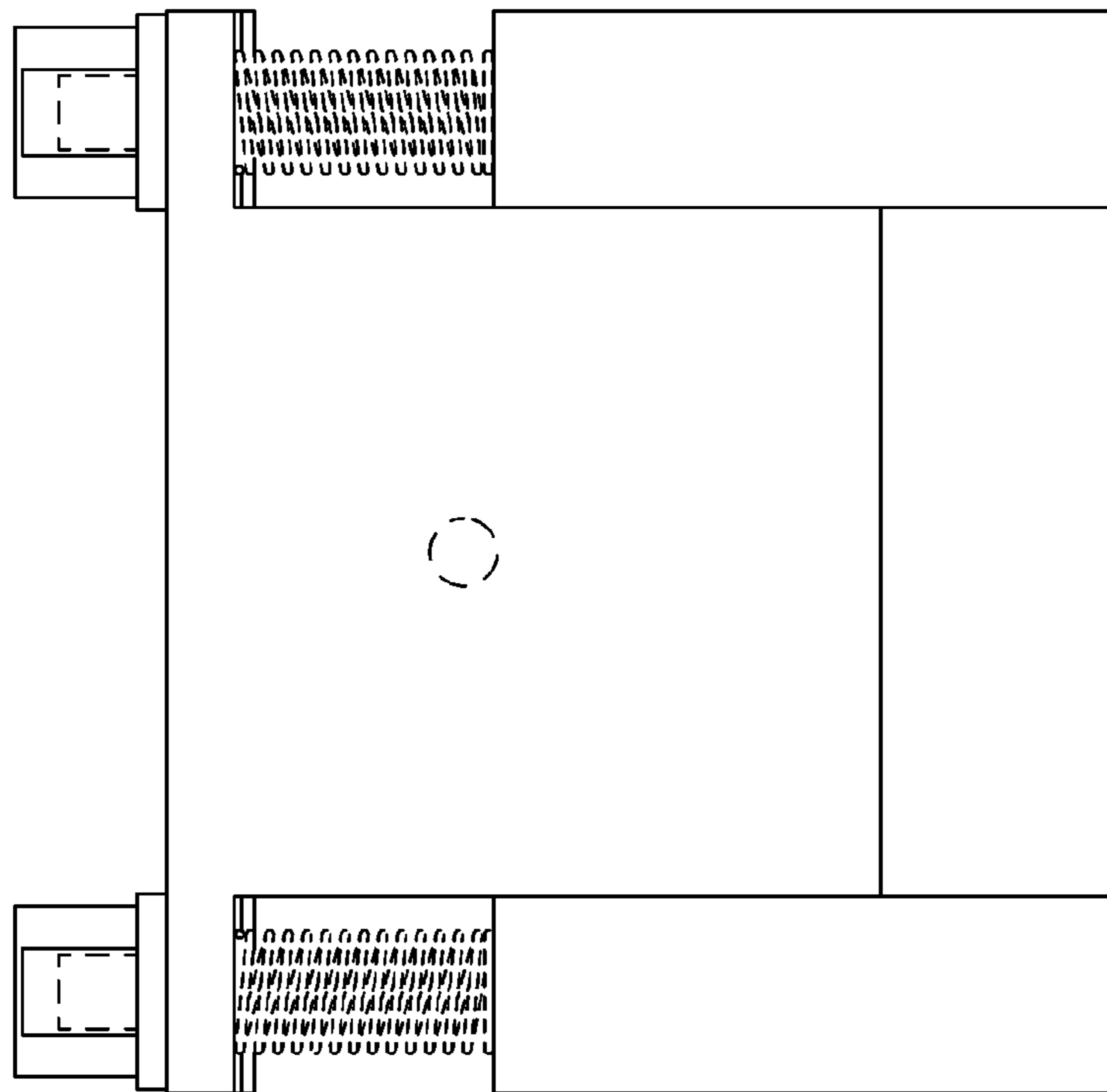


Fig. 5



Fig. 6



Fig. 7