



US00D631521S

(12) **United States Design Patent**
Severa et al.

(10) **Patent No.:** **US D631,521 S**
(45) **Date of Patent:** **** *Jan. 25, 2011**

(54) **SPORTS RACQUET**

(75) Inventors: **William D. Severa**, Darien, IL (US);
Donald G. Loeffler, Gilberts, IL (US);
Ronald R. Rocchi, Naperville, IL (US);
Tong Jin Kim, Evanston, IL (US); **Ravi**
Itiravivong, Chicago, IL (US)

(73) Assignee: **Wilson Sporting Goods Co.**, Chicago,
IL (US)

(*) Notice: This patent is subject to a terminal dis-
claimer.

(**) Term: **14 Years**

(21) Appl. No.: **29/341,721**

(22) Filed: **Aug. 11, 2009**

(51) **LOC (9) Cl.** **21-02**

(52) **U.S. Cl.** **D21/730**

(58) **Field of Classification Search** D21/729–731;
473/524–557

See application file for complete search history.

(56) **References Cited**

U.S. PATENT DOCUMENTS

D330,925 S * 11/1992 Janes D21/730
D354,323 S * 1/1995 Chuang D21/730
D460,135 S * 7/2002 Lammer D21/730

6,500,080 B2 * 12/2002 Severa et al. 473/521
D468,380 S * 1/2003 Lammer D21/730
D469,487 S * 1/2003 Severa et al. D21/729
D469,488 S * 1/2003 Severa et al. D21/729
D503,442 S * 3/2005 Severa et al. D21/730
D554,211 S * 10/2007 Severa et al. D21/730
7,297,080 B2 * 11/2007 Severa et al. 473/536
D565,675 S * 4/2008 Severa et al. D21/730
7,371,198 B2 * 5/2008 Pai 473/546
D596,682 S * 7/2009 Severa et al. D21/730

* cited by examiner

Primary Examiner—Mitchell I Siegel

(74) *Attorney, Agent, or Firm*—Terence P. O'Brien

(57) **CLAIM**

We claim the ornamental design for a sports racquet, as shown
and described.

DESCRIPTION

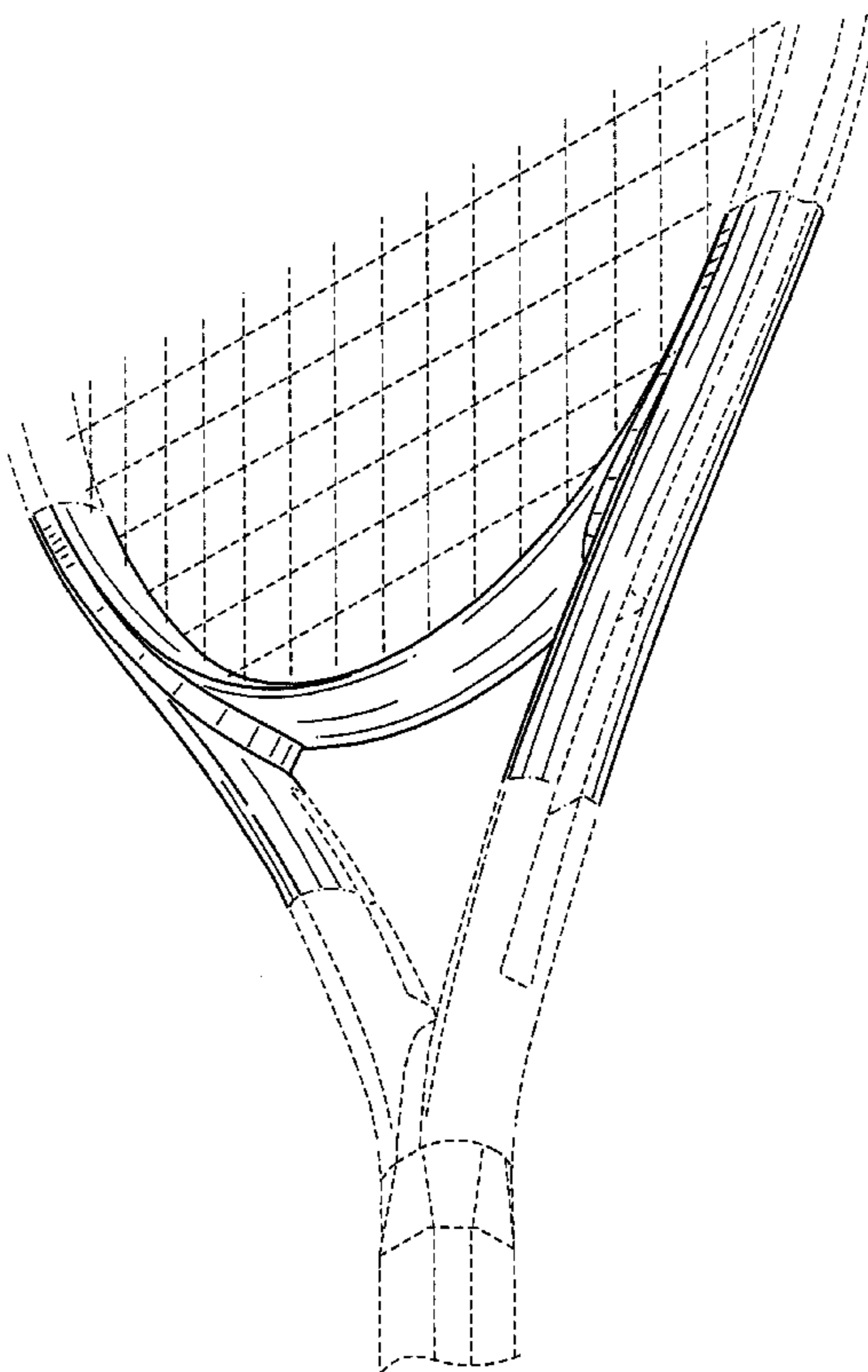
FIG. 1 is a front side perspective view of a sports racquet;

FIG. 2 is an enlarged front side perspective view of the sports
racquet of FIGS. 1; and,

FIG. 3 is a front view of the sports racquet of FIG. 1.

The ornamental design that is claimed is shown in solid lines
in the drawings. The broken (dashed) lines shown in FIGS. 1
through 3 are included for the purpose of illustrating environ-
mental elements only and form no part of the claimed design.

1 Claim, 3 Drawing Sheets



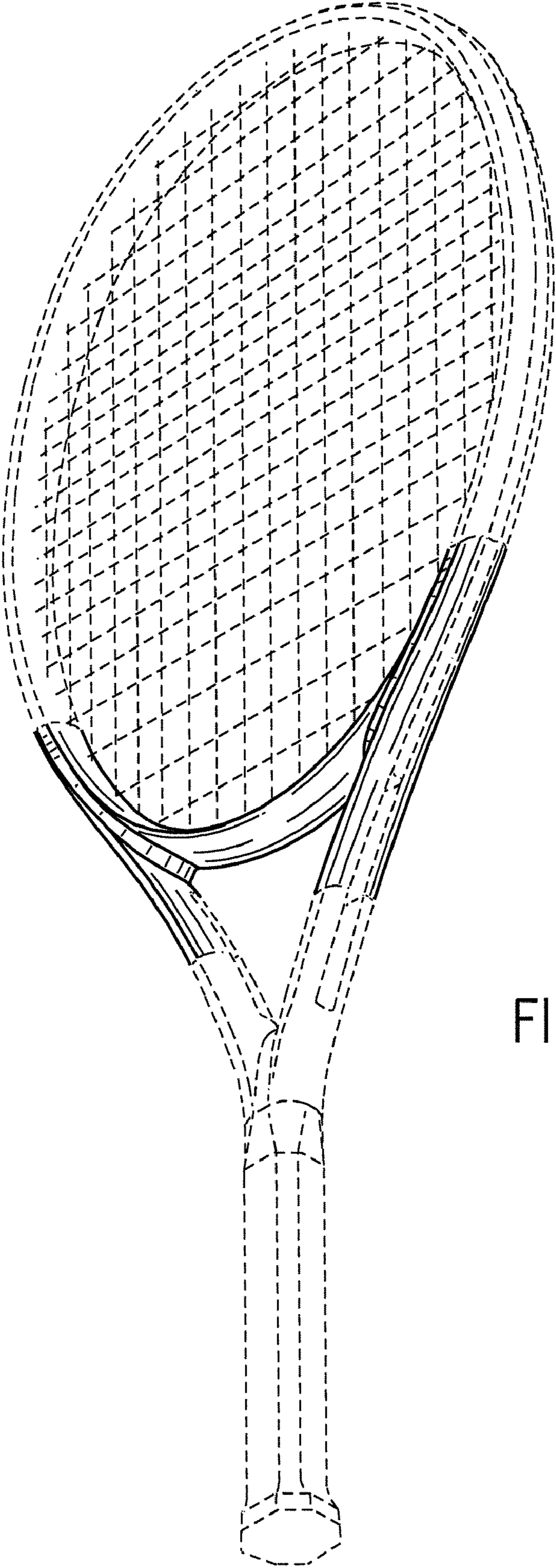


FIG. 1

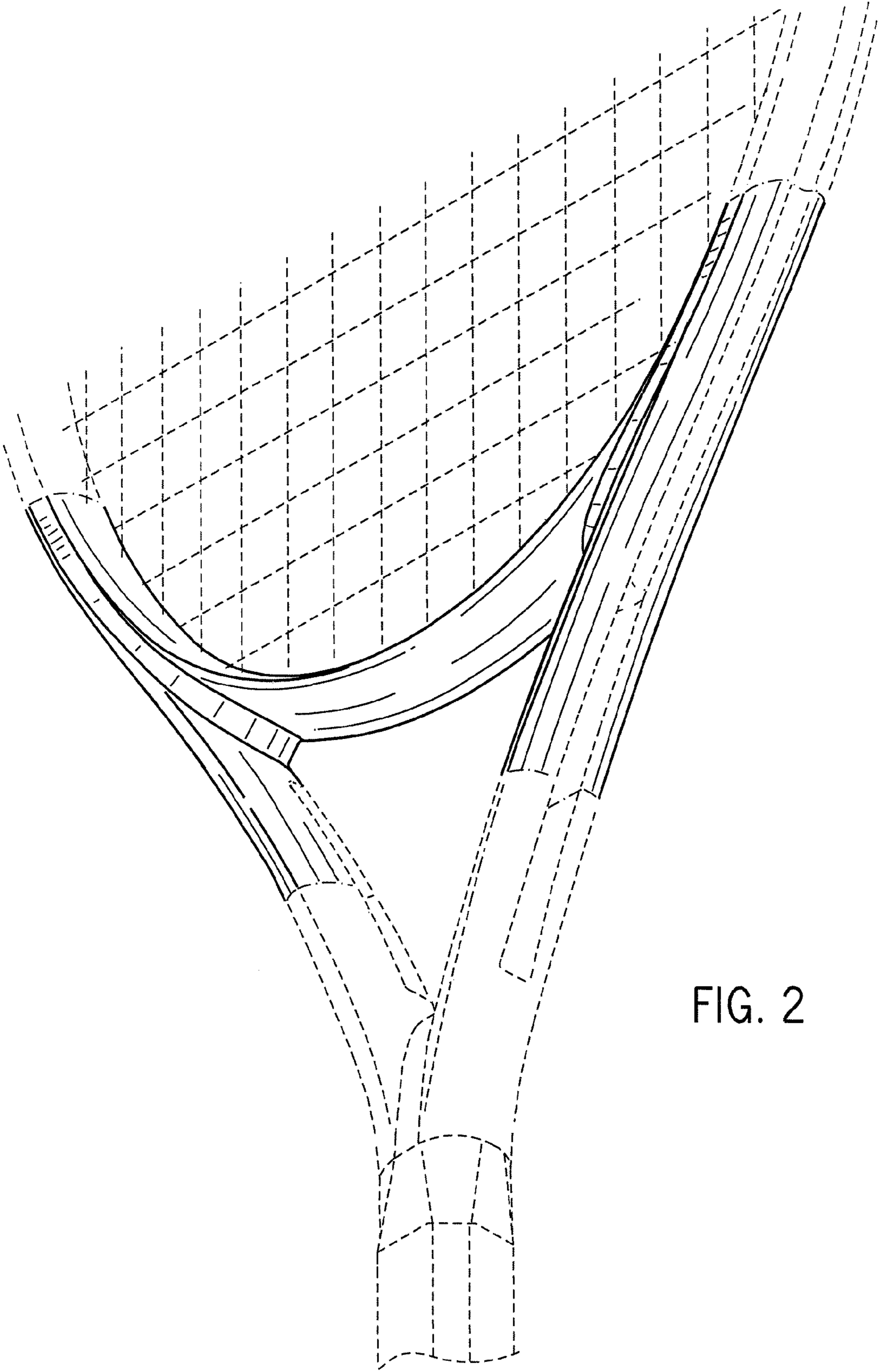


FIG. 2

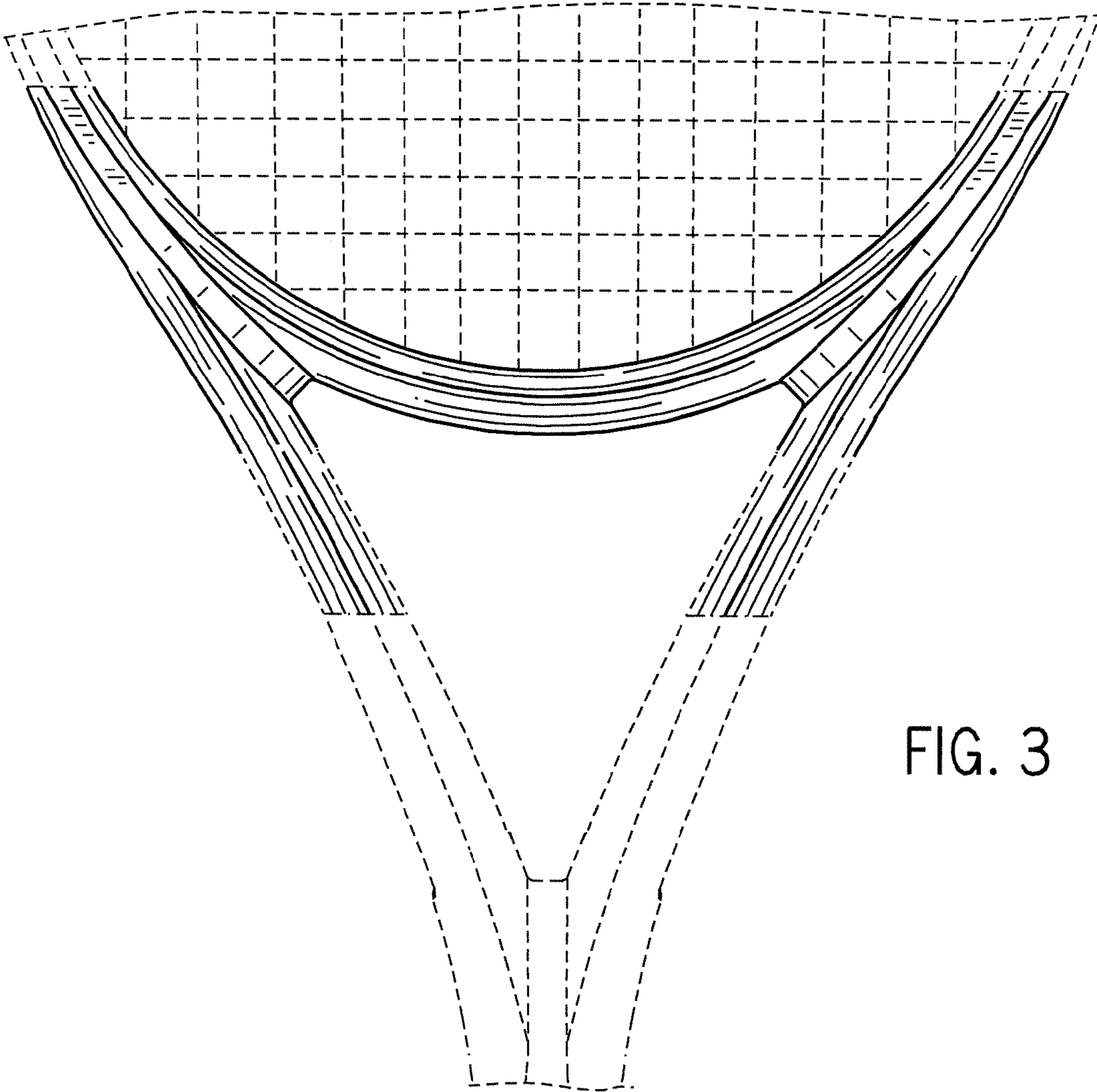


FIG. 3