



US00D631520S

(12) **United States Design Patent**
Loucks

(10) **Patent No.:** **US D631,520 S**
(45) **Date of Patent:** **** Jan. 25, 2011**

(54) **BASE FRAME FOR AN EXERCISE MACHINE**

(75) Inventor: **Zachary Jason Loucks**, Mt. Pleasant, MI (US)

(73) Assignee: **Stageright Corporation**, Clare, MI (US)

(**) Term: **14 Years**

(21) Appl. No.: **29/336,408**

(22) Filed: **May 4, 2009**

(51) **LOC (9) Cl.** **21-02**

(52) **U.S. Cl.** **D21/694**

(58) **Field of Classification Search** D21/662,
D21/673-676, 686, 690-691, 694; 482/94,
482/97, 100, 124, 135, 138, 140, 142, 144-145
See application file for complete search history.

(56) **References Cited**

U.S. PATENT DOCUMENTS

3,521,881	A *	7/1970	Schaevitz	482/142
D301,267	S *	5/1989	Lane	D21/691
D301,597	S *	6/1989	Lehtonen	D21/675
D321,025	S *	10/1991	Jones	D21/676

(Continued)

Primary Examiner—Susan E Krakower

(74) *Attorney, Agent, or Firm*—Carlson, Gaskey & Olds, PC

(57) **CLAIM**

I claim the ornamental design for a base frame for an exercise machine, as shown and described.

DESCRIPTION

FIG. 1 is a perspective view of a base frame for an exercise machine, showing a first embodiment;

FIG. 2 is a side view of a base frame for an exercise machine, showing a first embodiment;

FIG. 3 is a top view of a base frame for an exercise machine, showing a first embodiment;

FIG. 4 is a front view of a base frame for an exercise machine, showing a first embodiment;

FIG. 5 is a perspective view of a base frame for an exercise machine, showing a second embodiment;

FIG. 6 is a side view of a base frame for an exercise machine, showing a second embodiment;

FIG. 7 is a top view of a base frame for an exercise machine, showing a second embodiment;

FIG. 8 is a front view of a base frame for an exercise machine, showing a second embodiment;

FIG. 9 is a perspective view of a base frame for an exercise machine, showing a third embodiment;

FIG. 10 is a side view of a base frame for an exercise machine, showing a third embodiment;

FIG. 11 is a top view of a base frame for an exercise machine, showing a third embodiment;

FIG. 12 is a front view of a base frame for an exercise machine, showing a third embodiment;

FIG. 13 is a perspective view of a base frame for an exercise machine, showing a fourth embodiment;

FIG. 14 is a side view of a base frame for an exercise machine, showing a fourth embodiment;

FIG. 15 is a top view of a base frame for an exercise machine, showing a fourth embodiment;

FIG. 16 is a front view of a base frame for an exercise machine, showing a fourth embodiment;

FIG. 17 is a perspective view of a base frame for an exercise machine, showing a fifth embodiment;

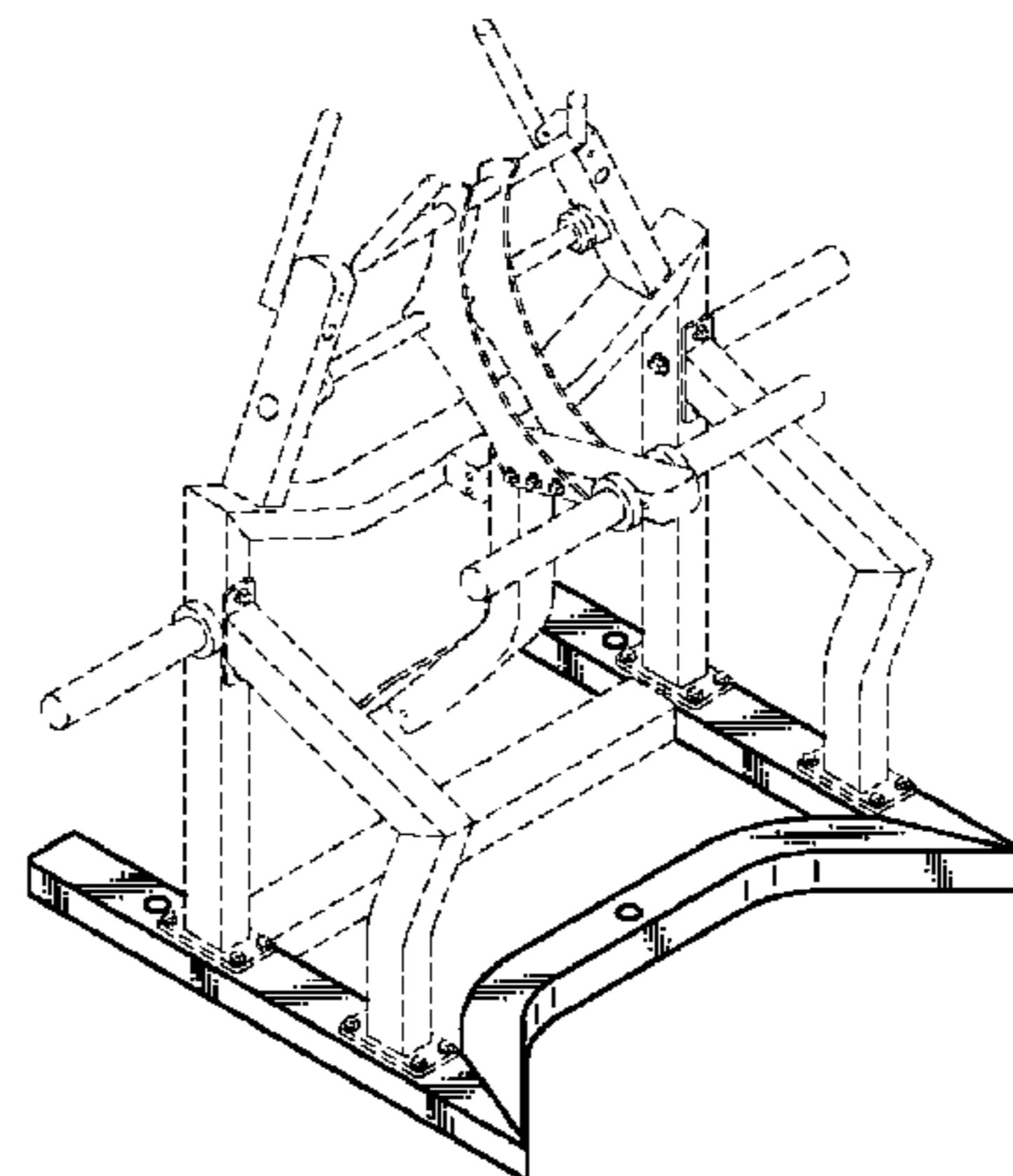
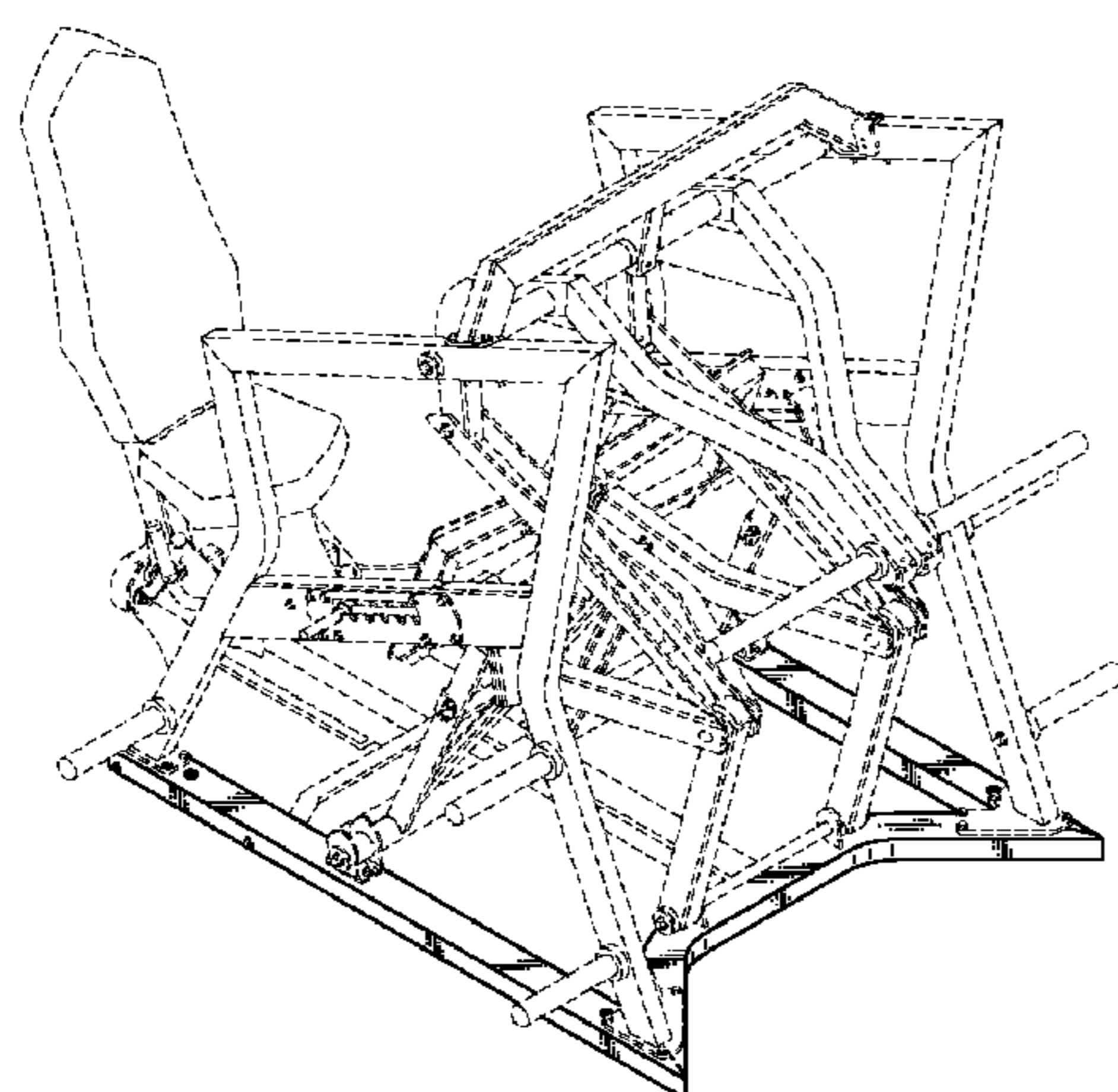
FIG. 18 is a side view of a base frame for an exercise machine, showing a fifth embodiment;

FIG. 19 is a top view of a base frame for an exercise machine, showing a fifth embodiment; and,

FIG. 20 is a front view of a base frame for an exercise machine, showing a fifth embodiment.

The broken lines in the drawings represent environmental subject matter and form no part of the claimed design.

1 Claim, 20 Drawing Sheets



US D631,520 S

Page 2

U.S. PATENT DOCUMENTS							
				D321,390 S *	11/1991	Jones D21/676
				5,643,152 A *	7/1997	Simonson 482/100
D321,026 S *	10/1991	Jones D21/676	6,712,744 B2 *	3/2004	Buechel et al. 482/142
D321,027 S *	10/1991	Jones D21/676	2009/0069161 A1 *	3/2009	Caldwell 482/138
D321,028 S *	10/1991	Jones D21/676	* cited by examiner			

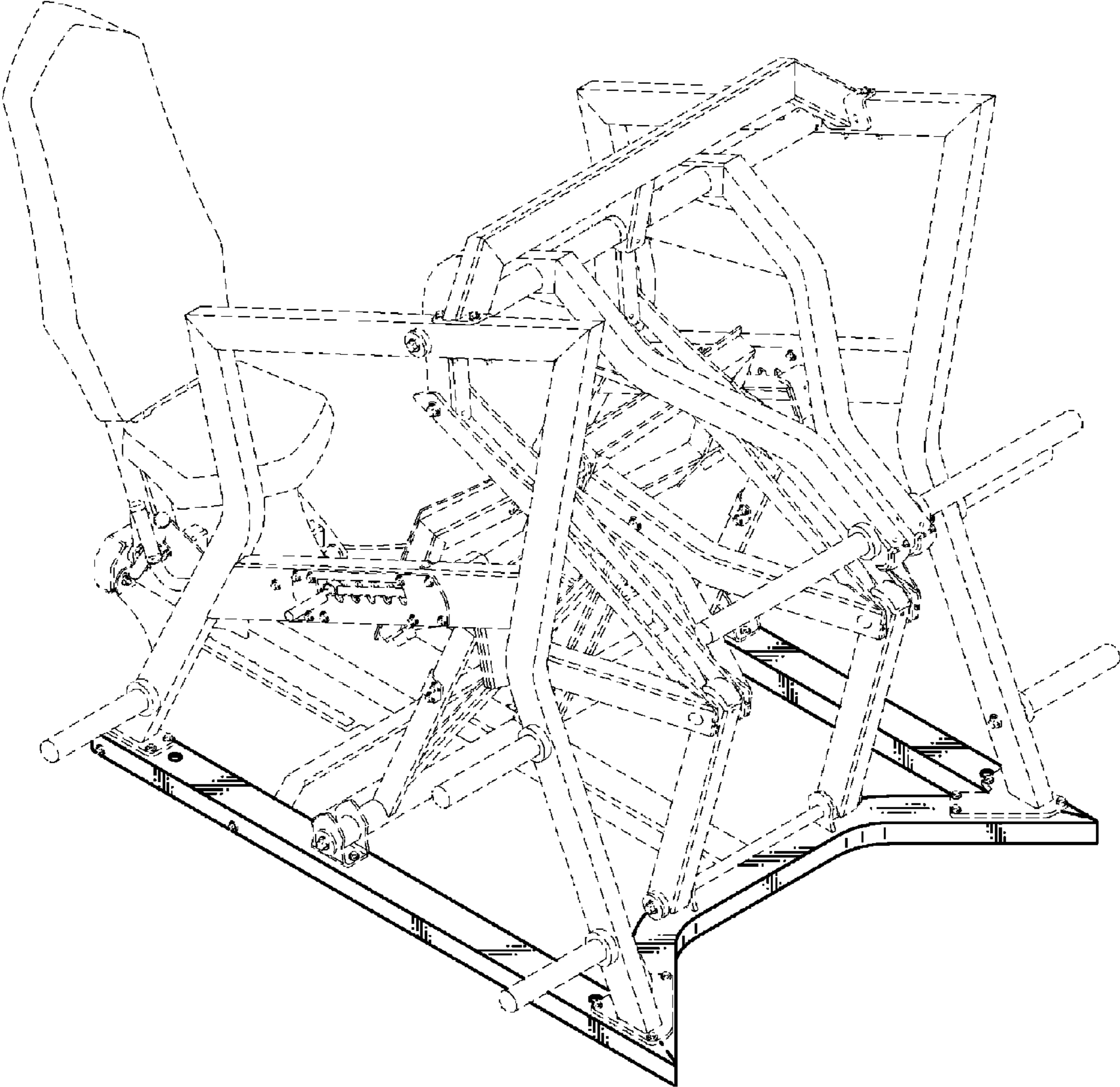


FIG.1

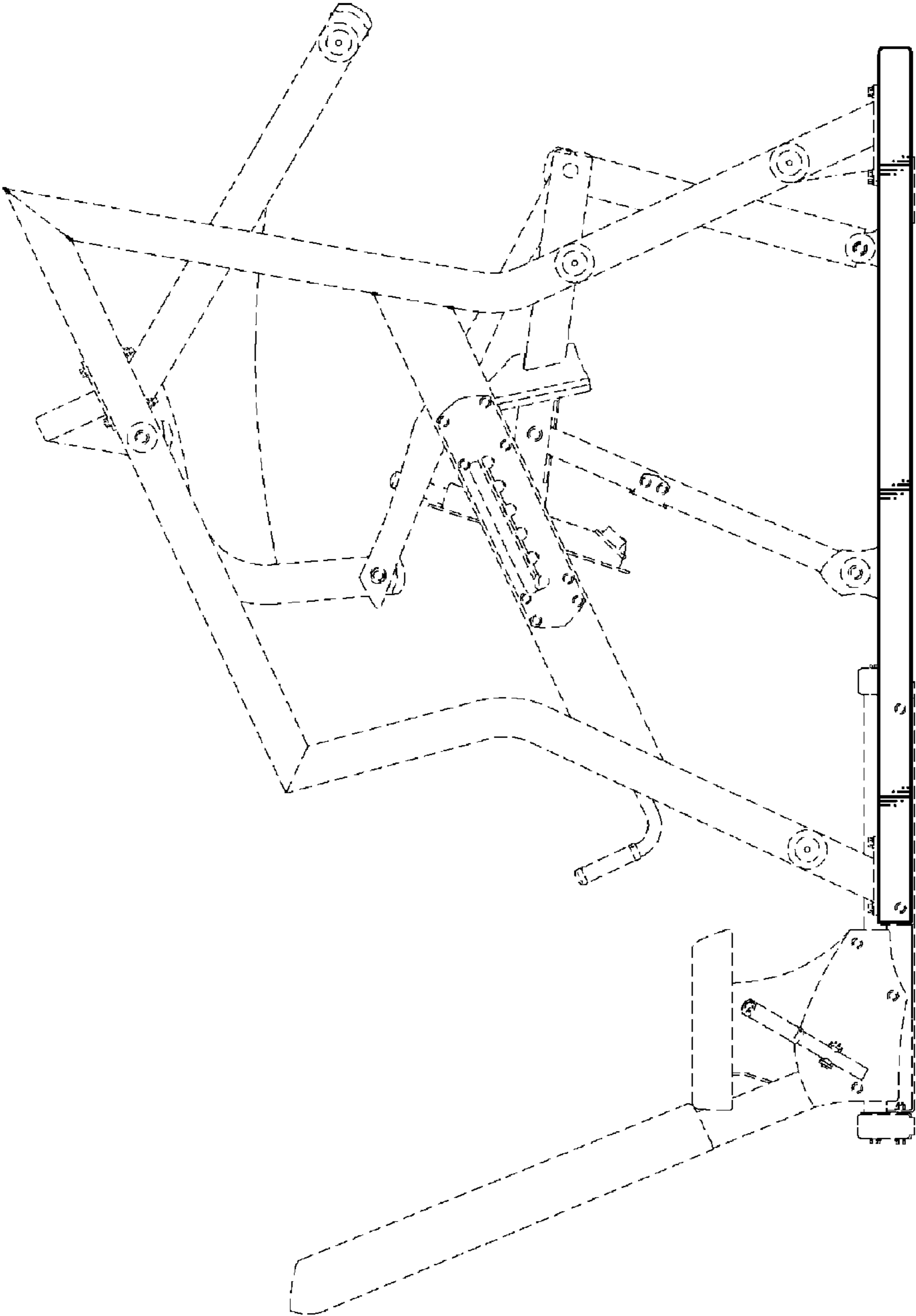


FIG.2

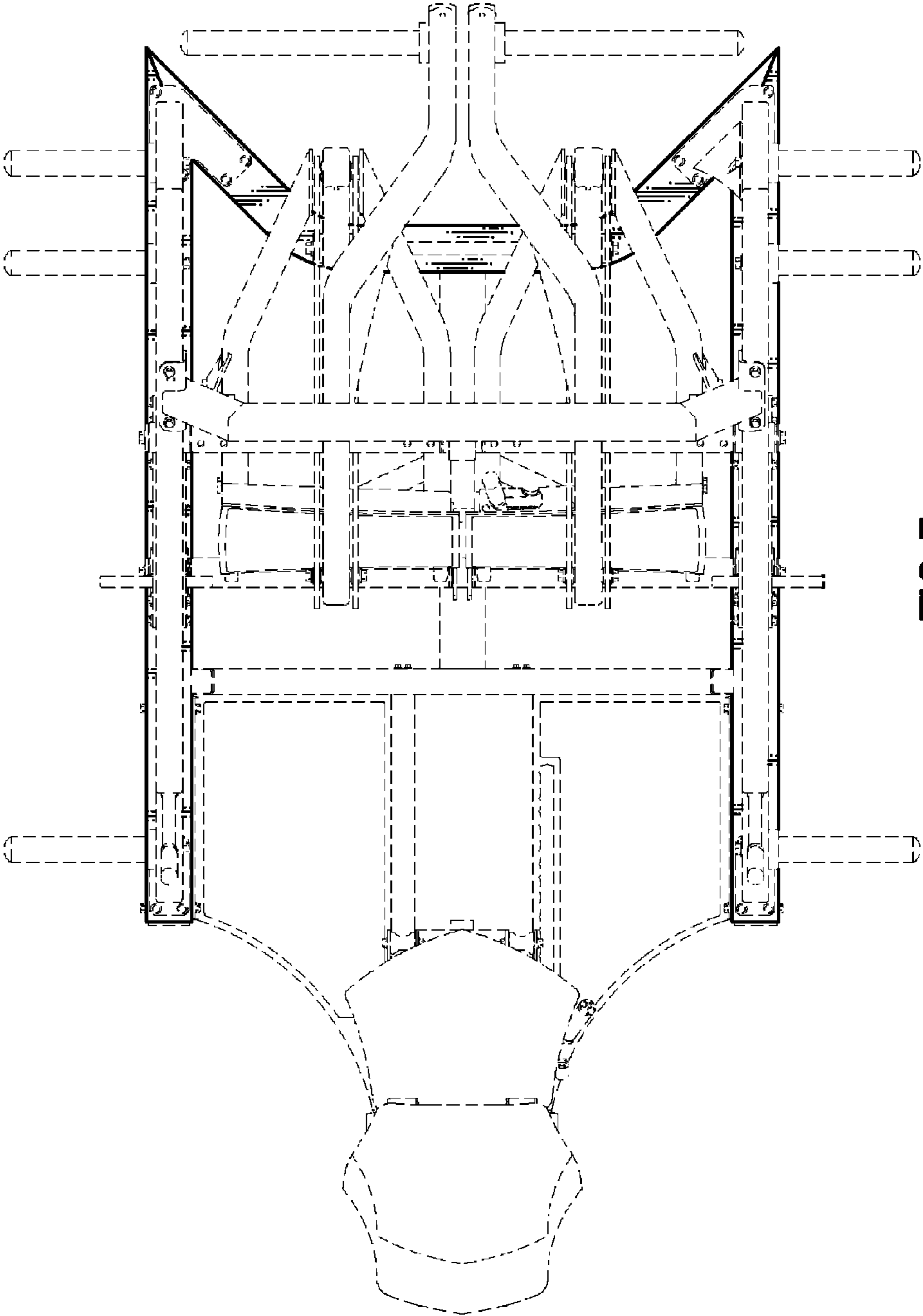


FIG. 3

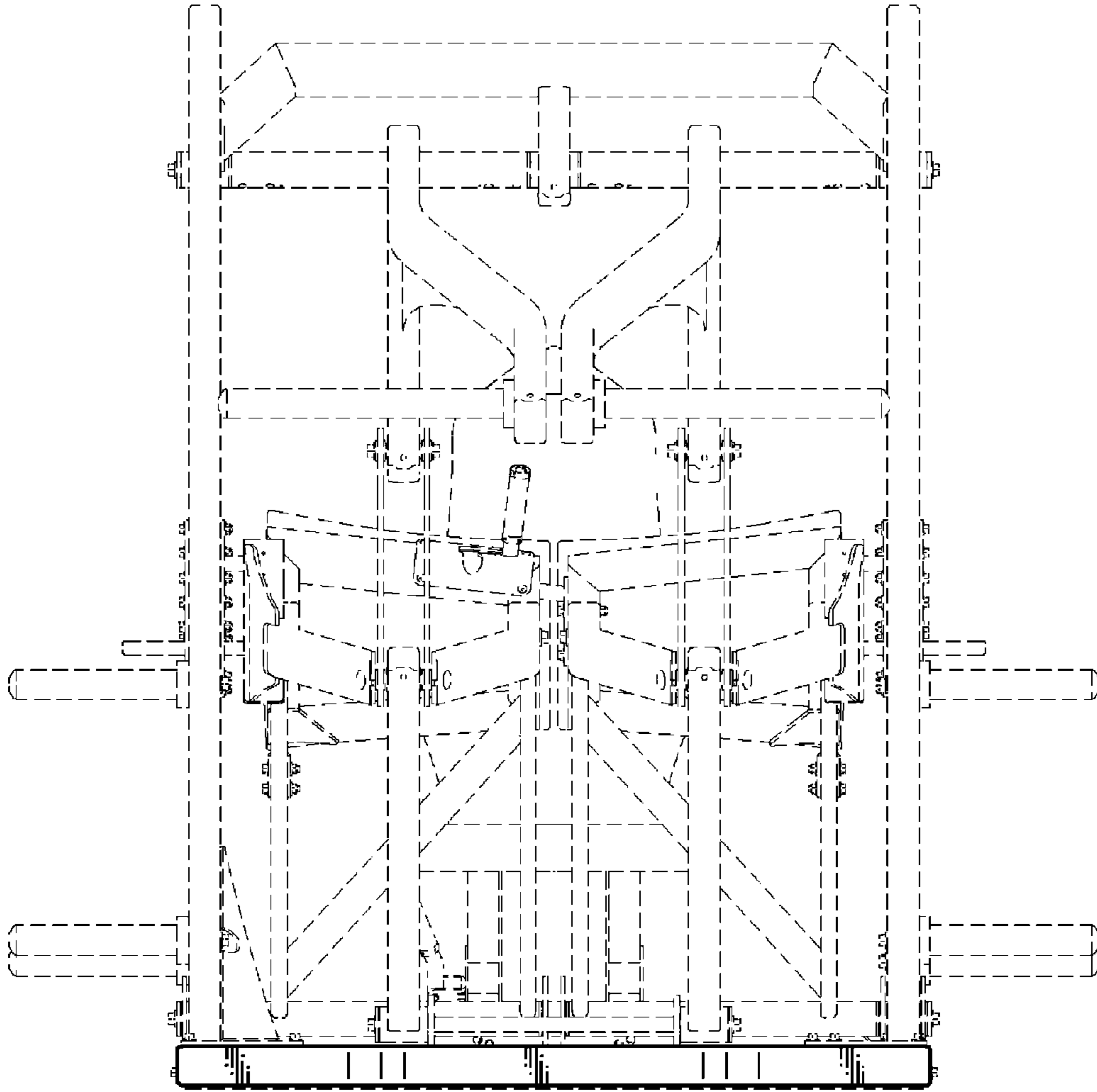


FIG.4

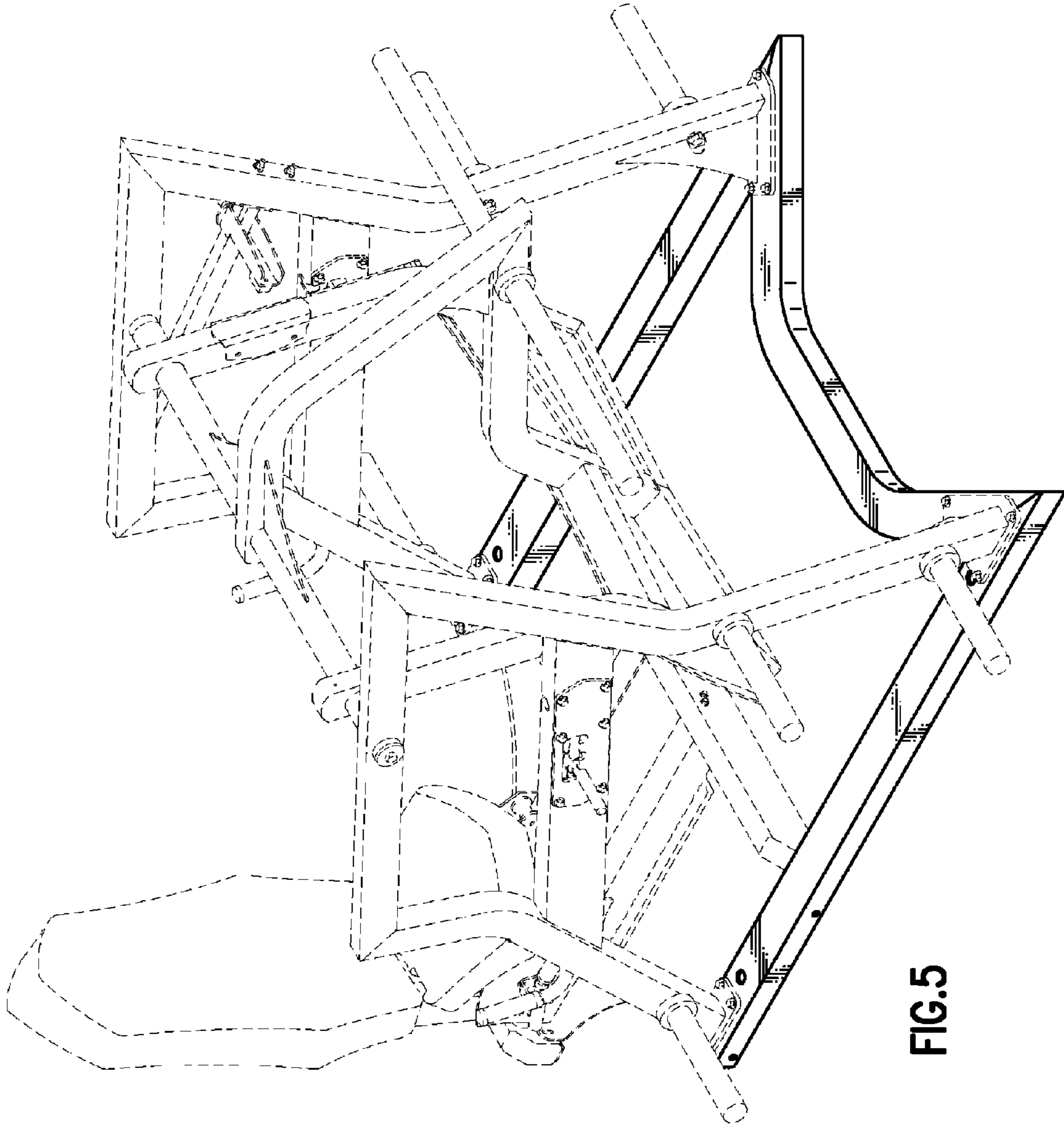


FIG. 5

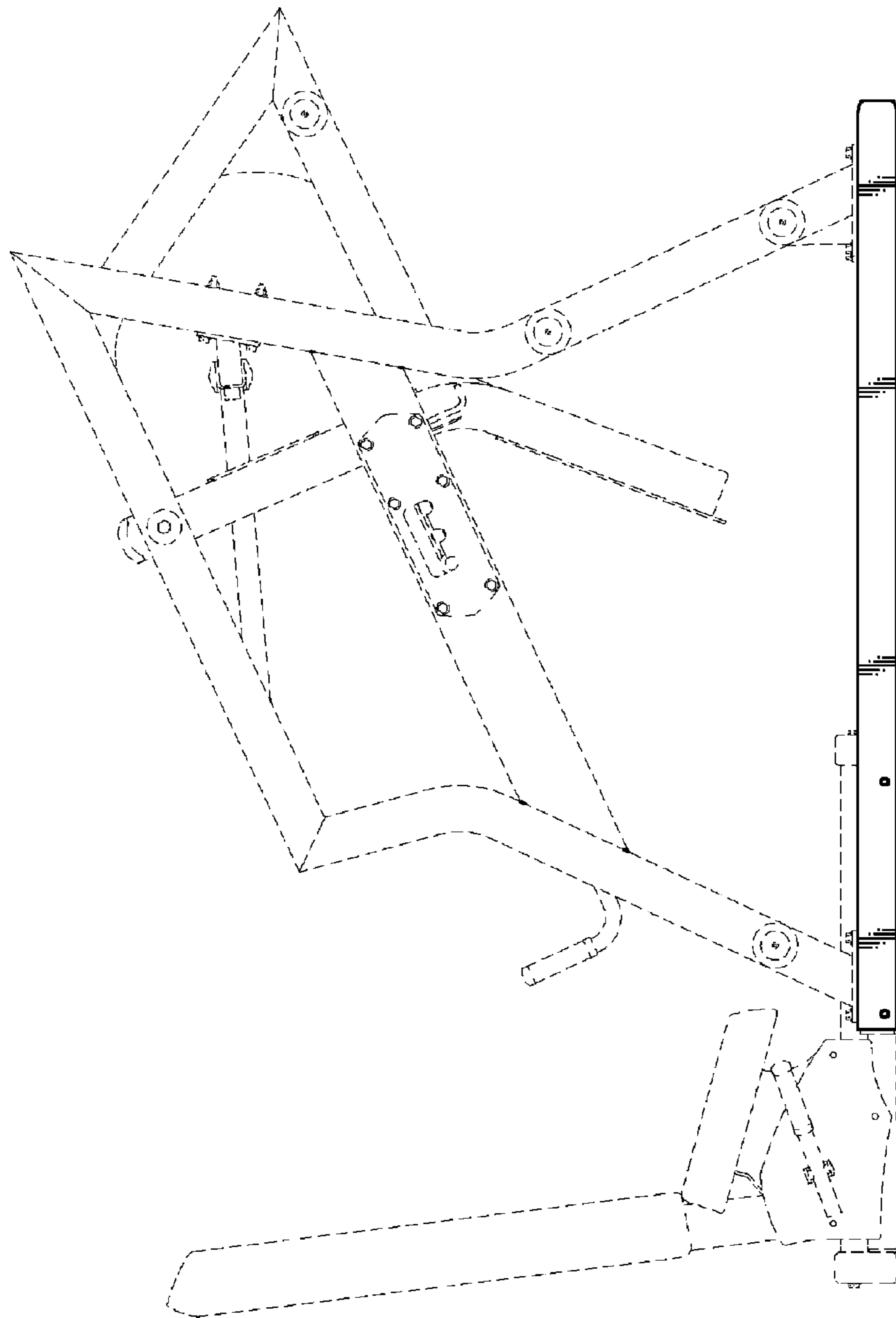


FIG. 6

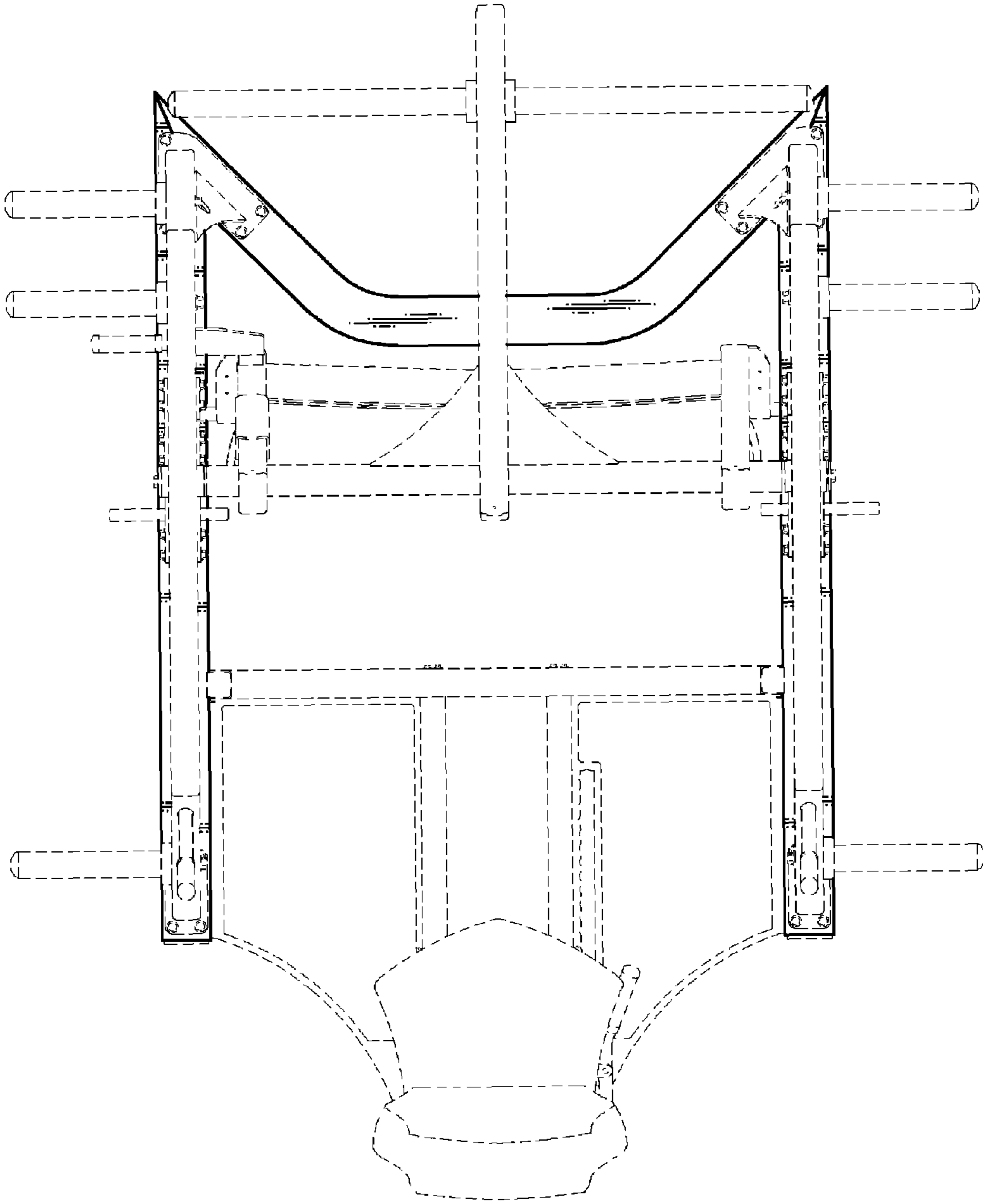


FIG. 7

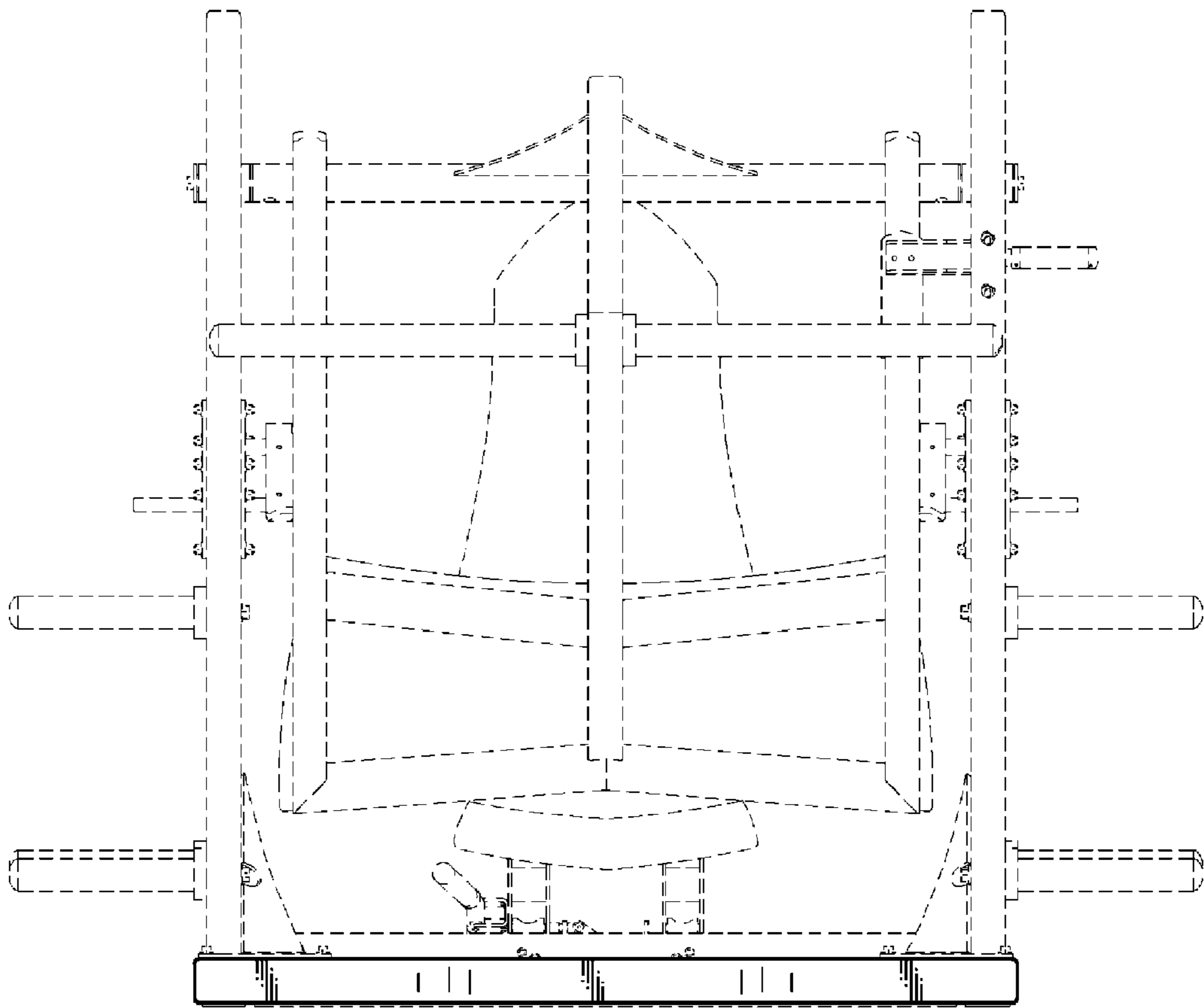


FIG.8

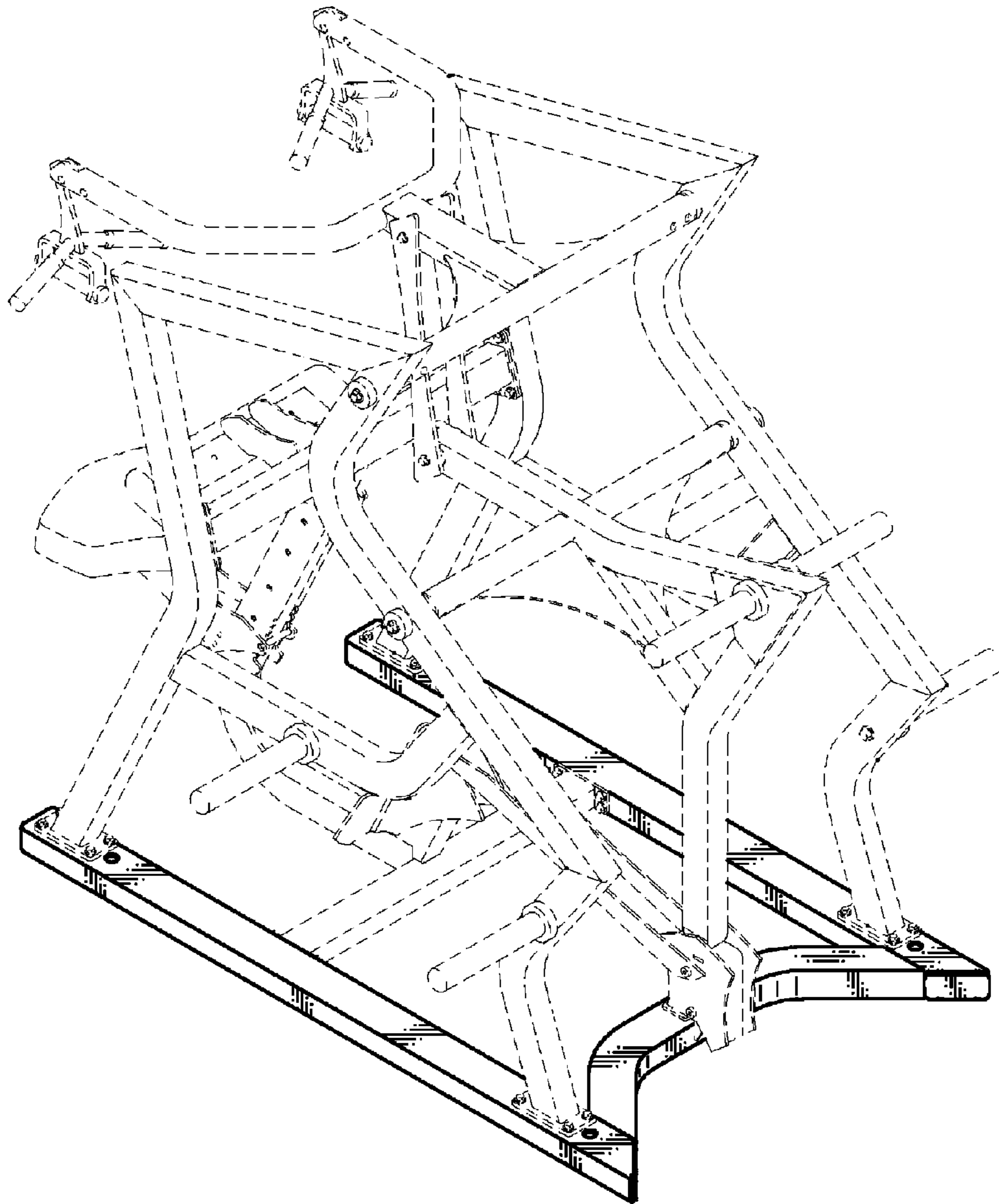


FIG.9

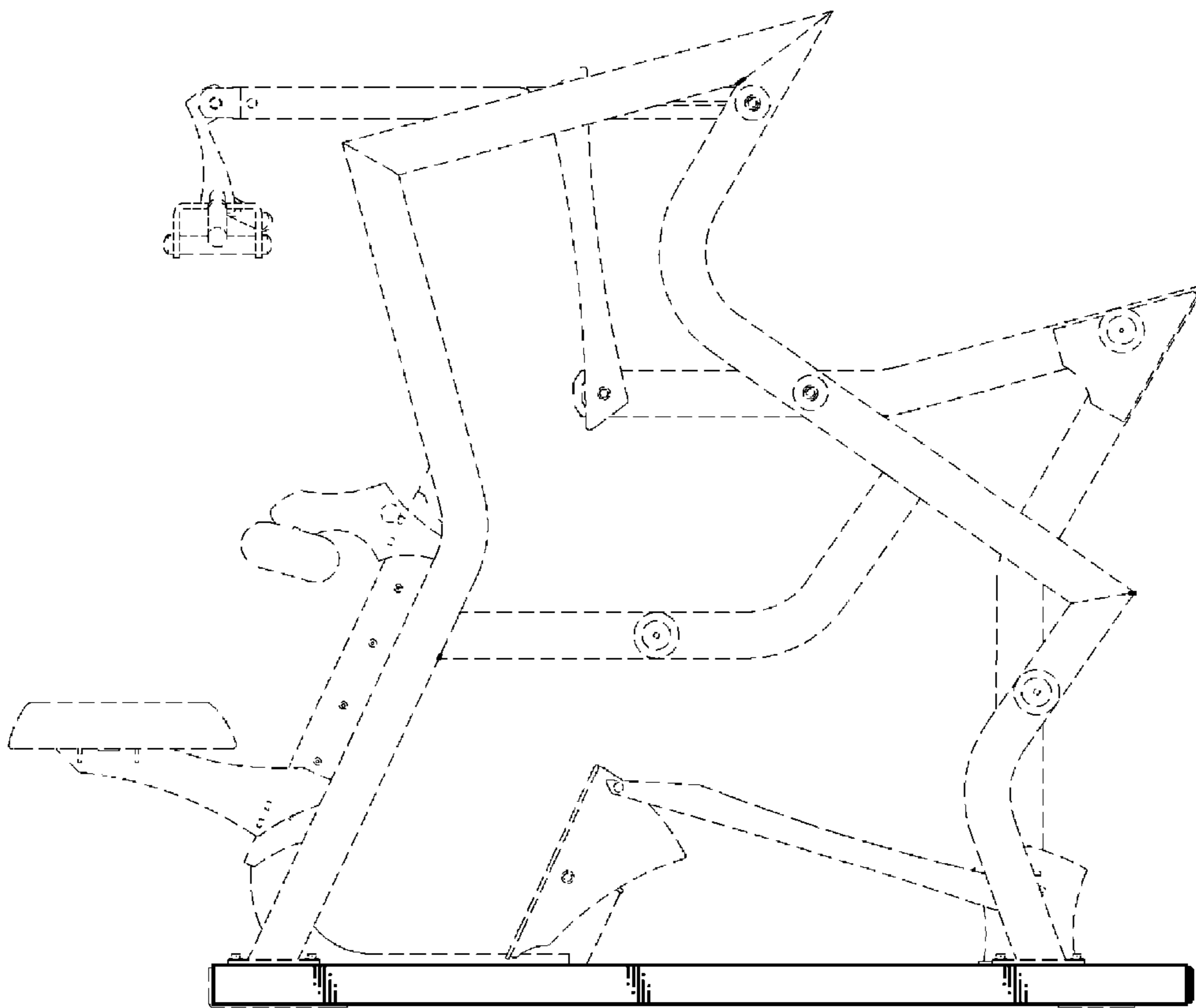


FIG.10

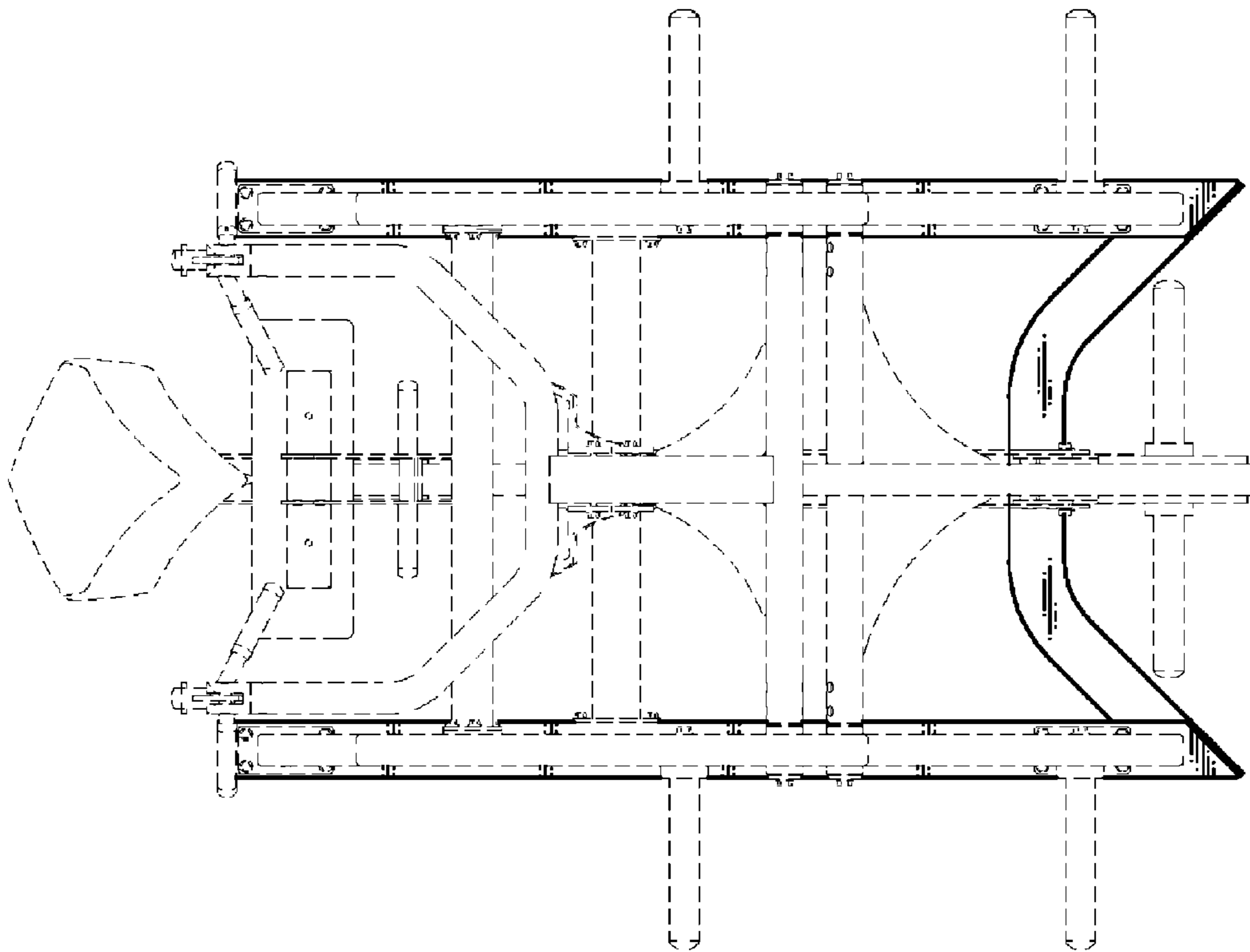


FIG.11

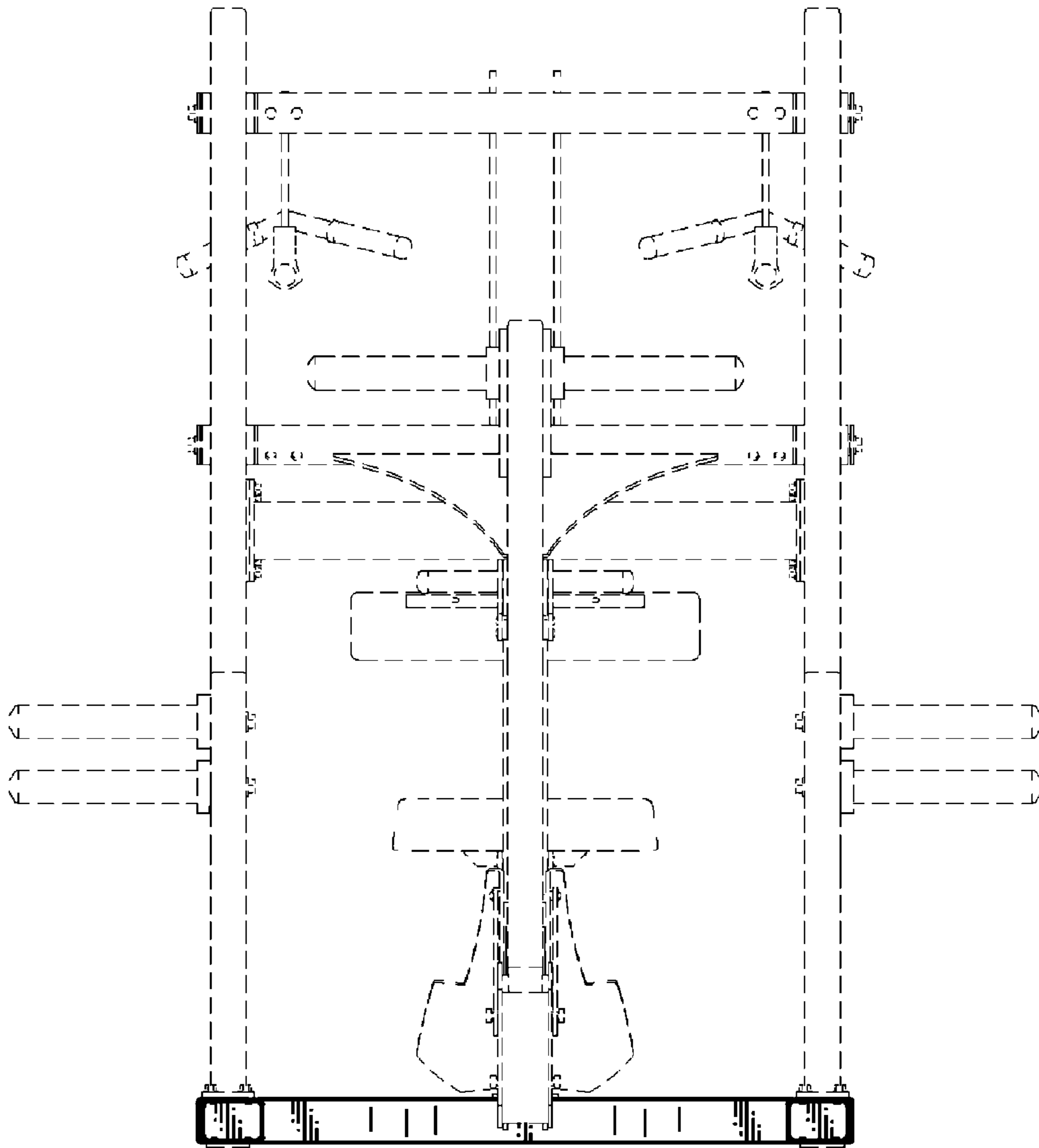


FIG. 12

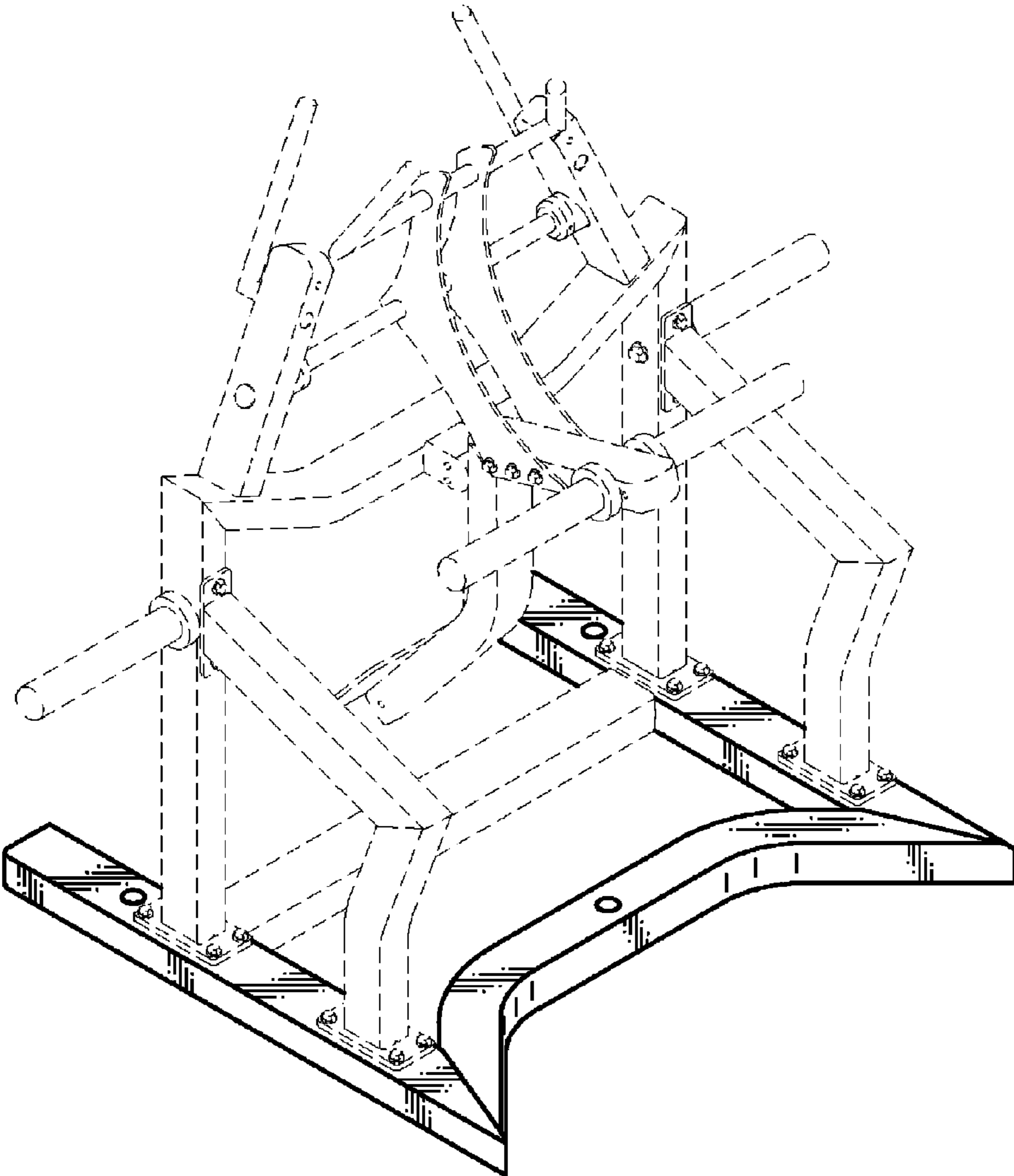


FIG.13

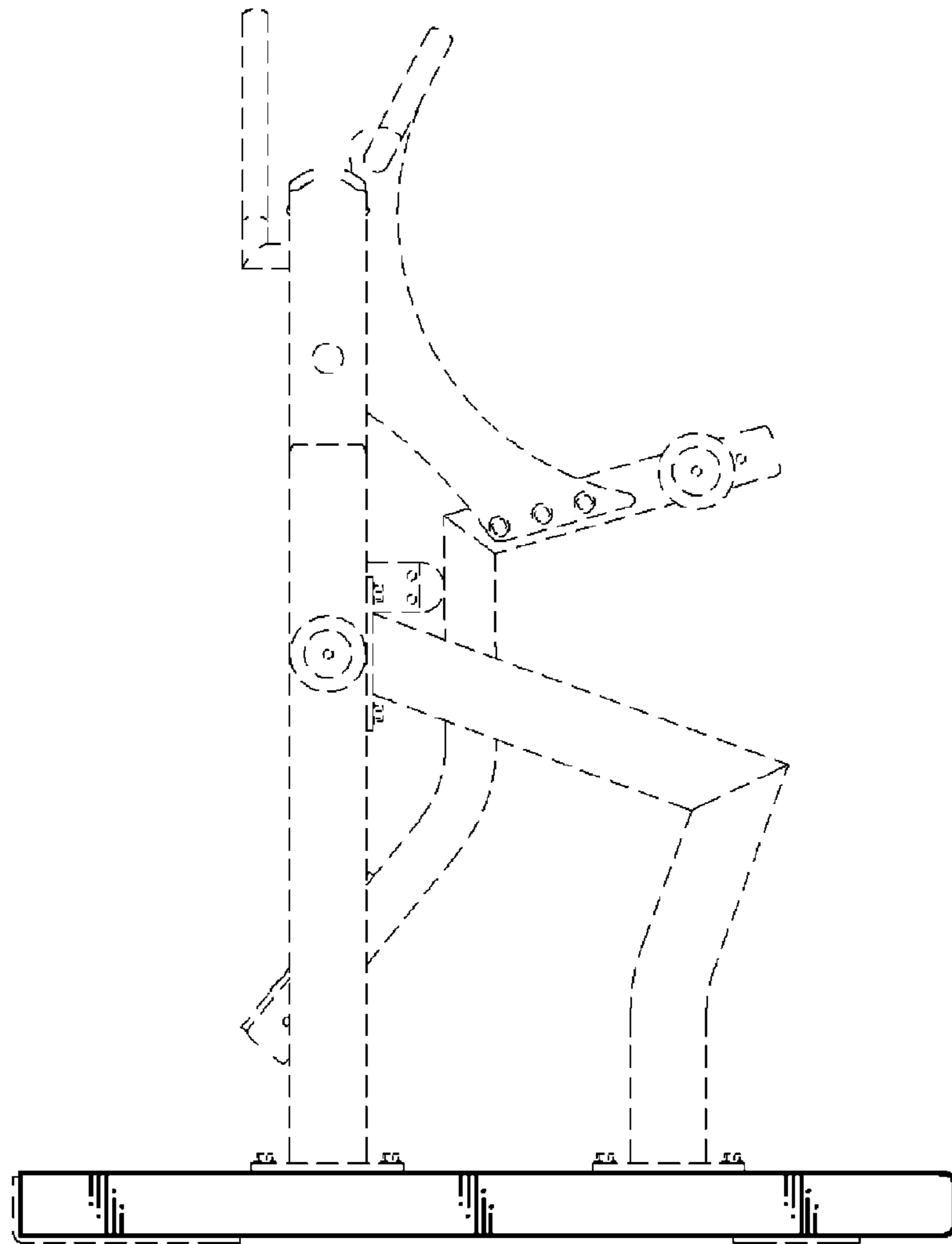


FIG.14

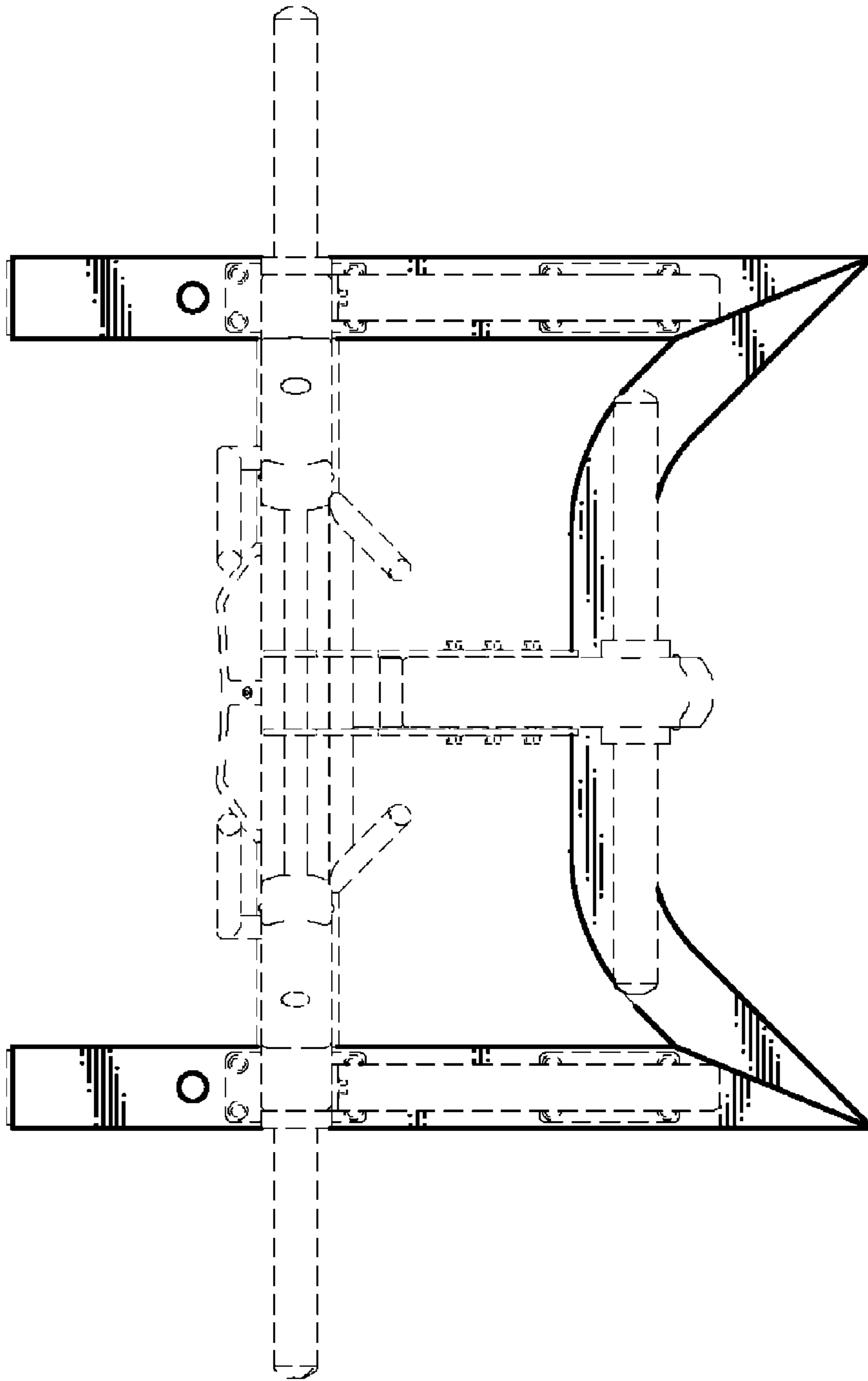


FIG.15

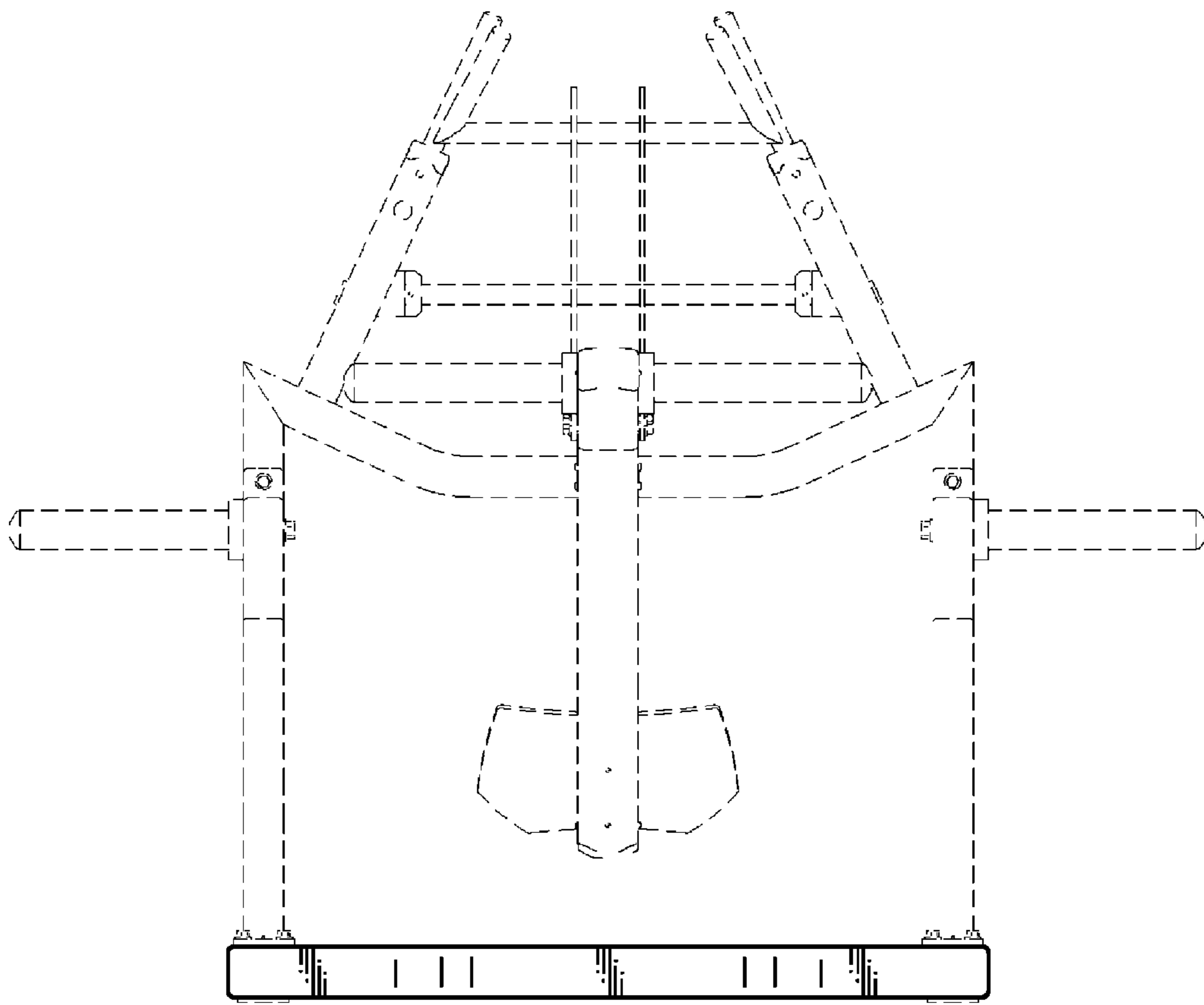


FIG.16

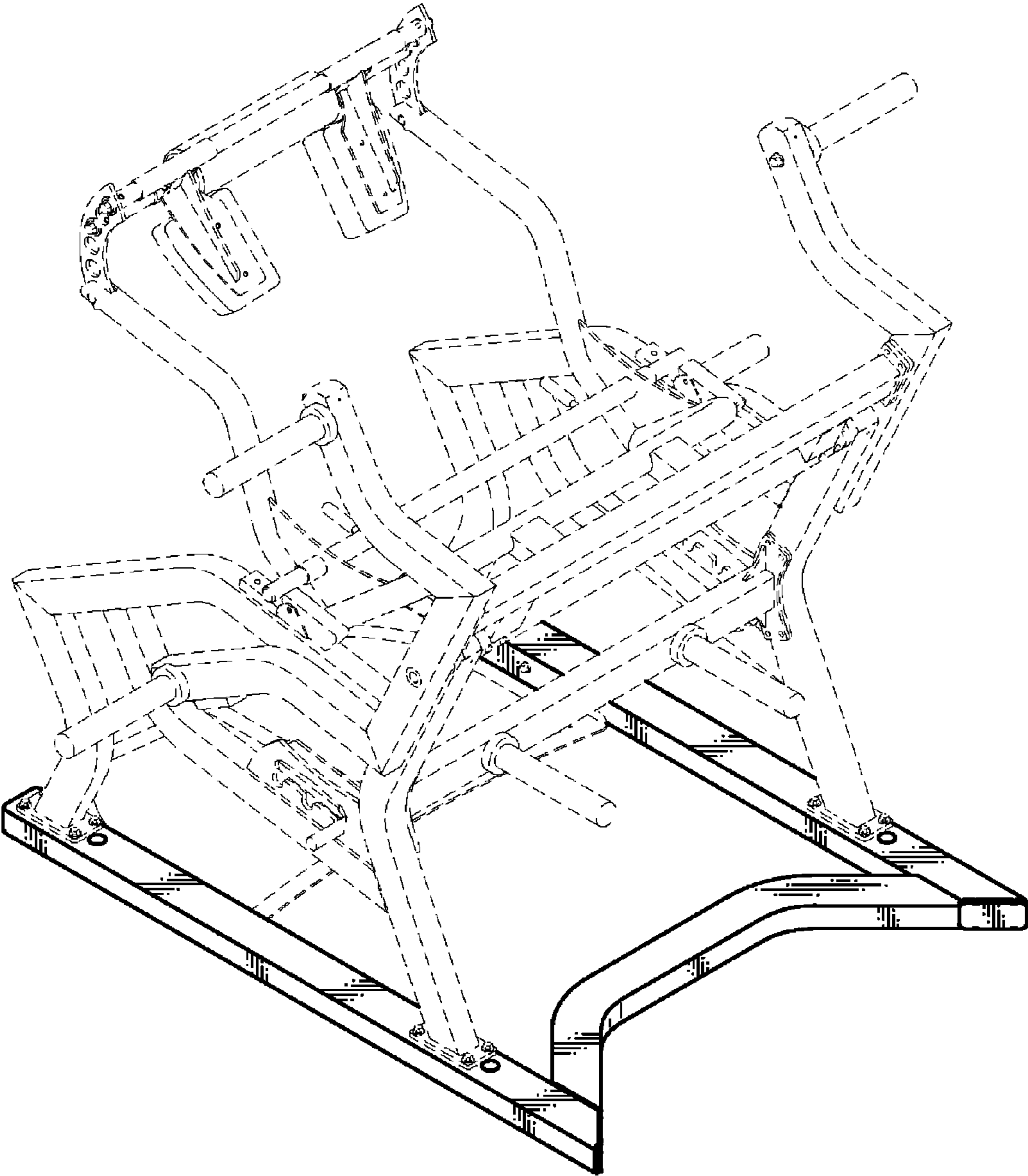


FIG.17

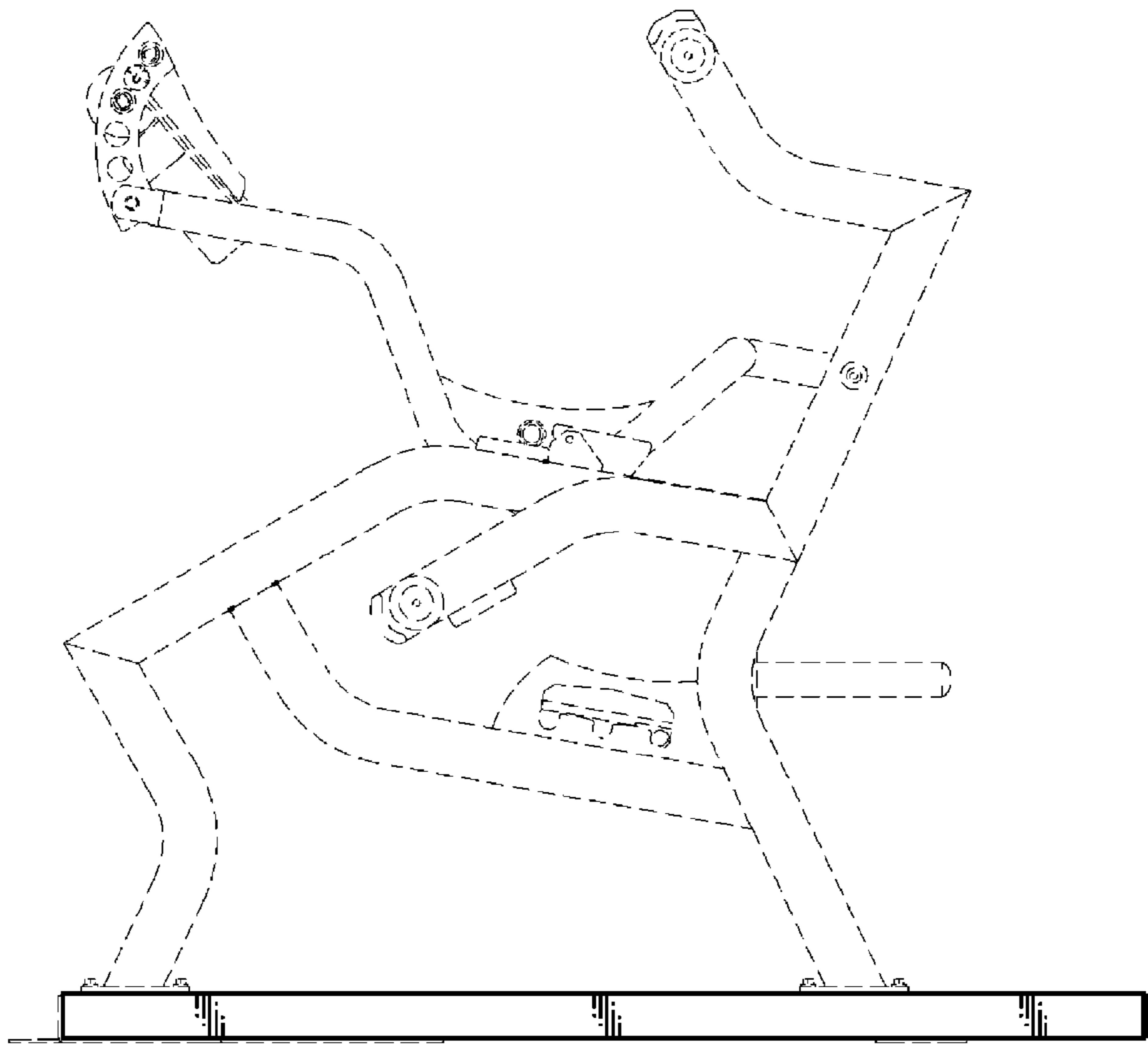


FIG.18

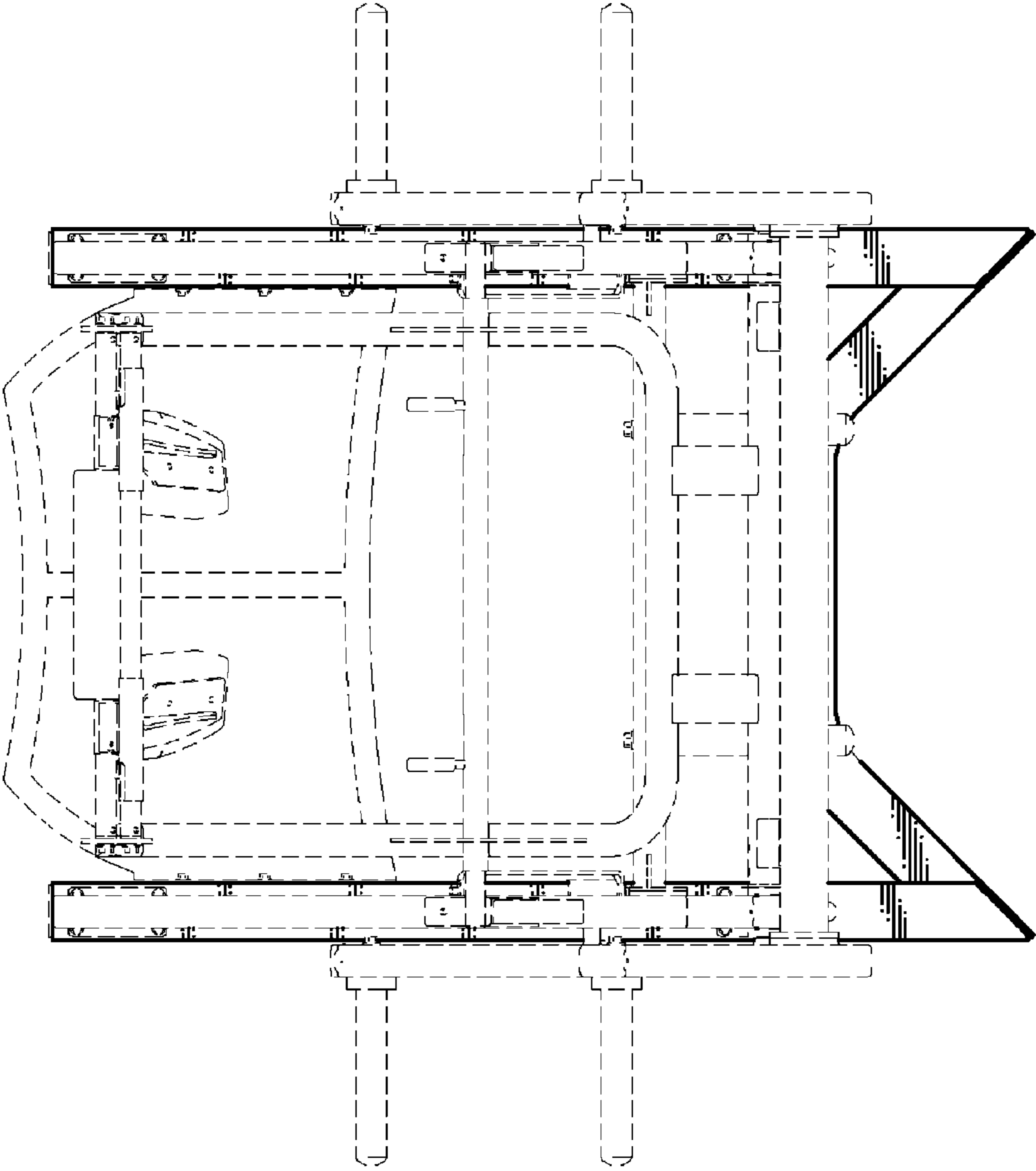


FIG.19

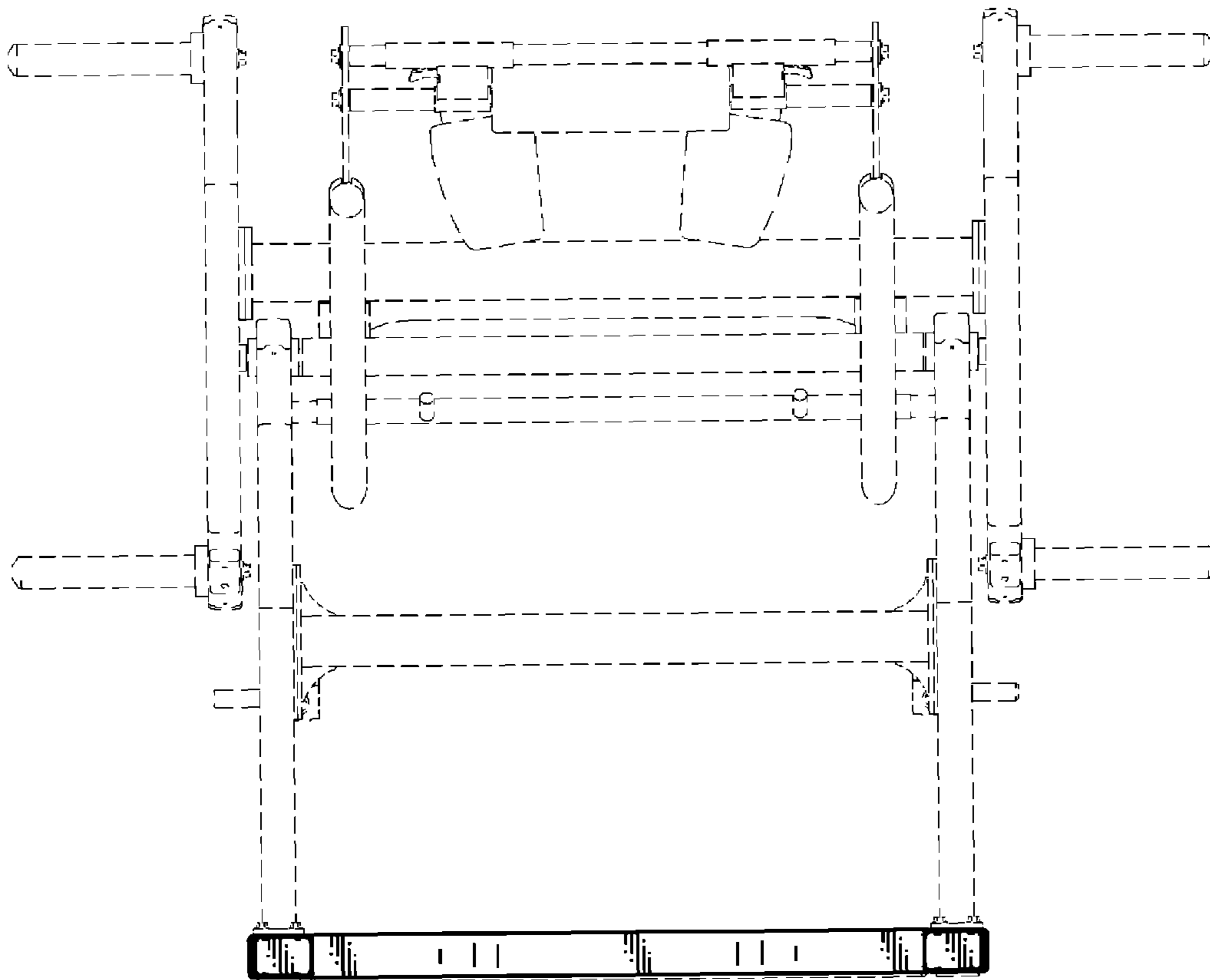


FIG.20