



US00D631519S

(12) **United States Design Patent**
Chen

(10) **Patent No.:** **US D631,519 S**
(45) **Date of Patent:** **** Jan. 25, 2011**

(54) **MULTI-FUNCTION EXERCISING MACHINE**

(76) **Inventor:** **Yi-Fan Chen**, No. 38, Lane 51, Nandou Rd., Shalu Township, Taichung County (TW)

(**) **Term:** **14 Years**

(21) **Appl. No.:** **29/361,074**

(22) **Filed:** **May 5, 2010**

(51) **LOC (9) Cl.** **21-02**

(52) **U.S. Cl.** **D21/689**

(58) **Field of Classification Search** D21/662,
D21/686, 688, 689, 694; 482/51, 71, 96,
482/121, 131-132, 140, 142, 146-147; 601/23,
601/33, 40, 127, 131

See application file for complete search history.

(56) **References Cited**

U.S. PATENT DOCUMENTS

4,846,465	A *	7/1989	Iams et al.	482/132
4,858,918	A *	8/1989	Iams et al.	482/132
4,989,860	A *	2/1991	Iams et al.	482/132
6,213,924	B1 *	4/2001	Kaiyoorawongs	482/146
6,234,935	B1 *	5/2001	Chu	482/51
6,918,861	B2 *	7/2005	Liao et al.	482/57
D567,312	S *	4/2008	Tsai	D21/688
7,666,121	B2 *	2/2010	Zhou	482/51
D613,351	S *	4/2010	Splane	D21/689
D626,608	S *	11/2010	Tsai	D21/689
2010/0190621	A1 *	7/2010	Palmer	482/121

* cited by examiner

Primary Examiner—Susan E Krakower
(74) *Attorney, Agent, or Firm*—Alan Kamrath; Kamrath & Associates PA

(57) **CLAIM**

The ornamental design for a multi-function exercising machine, as shown and described.

DESCRIPTION

FIG. 1 is a top perspective view of a multi-functional exercising machine, showing my new design;

FIG. 2 is a front view thereof;

FIG. 3 is a rear view thereof;

FIG. 4 is a left side view thereof;

FIG. 5 is a right side view thereof;

FIG. 6 is a top view thereof; and

FIG. 7 is a bottom view thereof;

FIG. 8 is a bottom perspective view thereof;

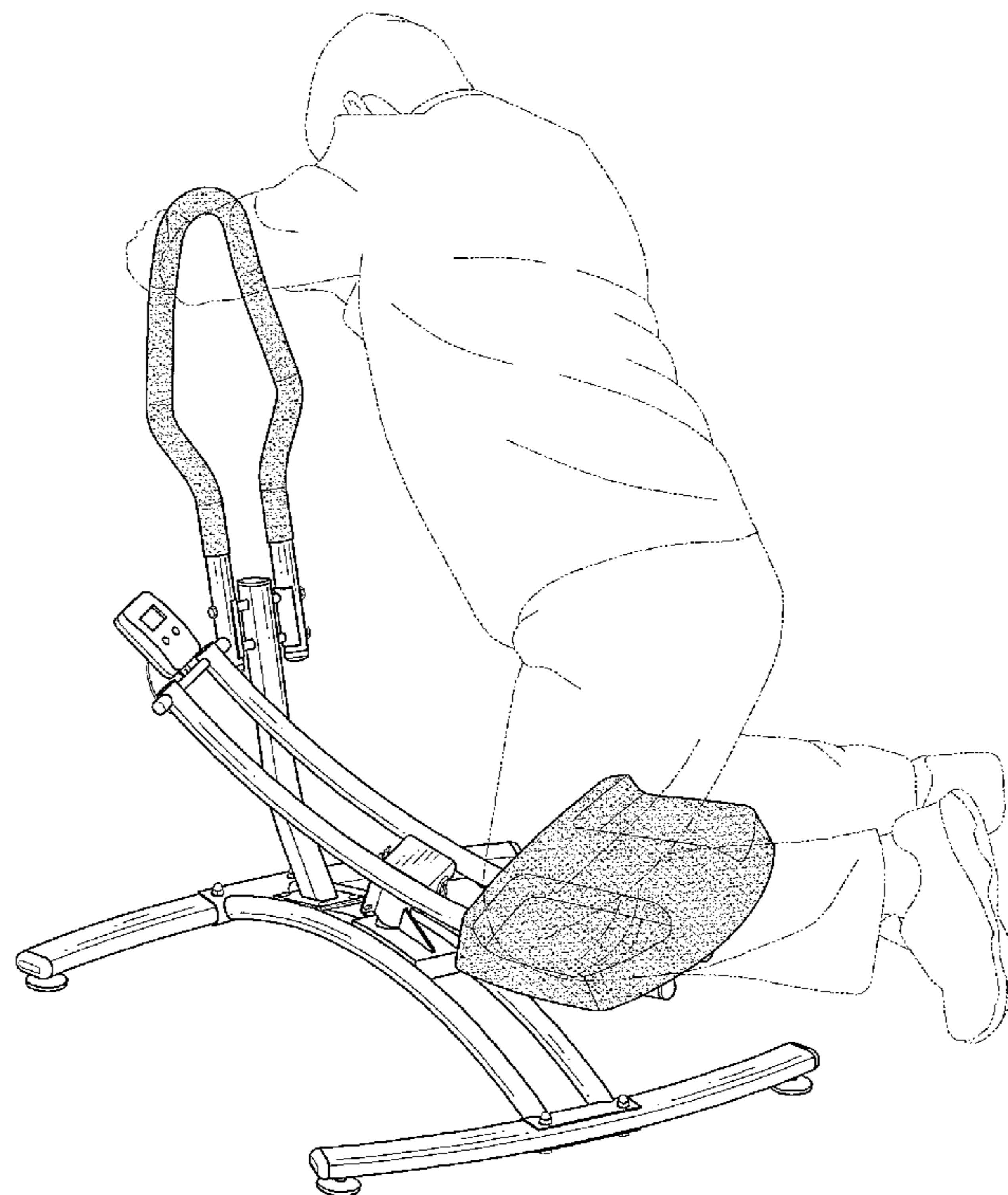
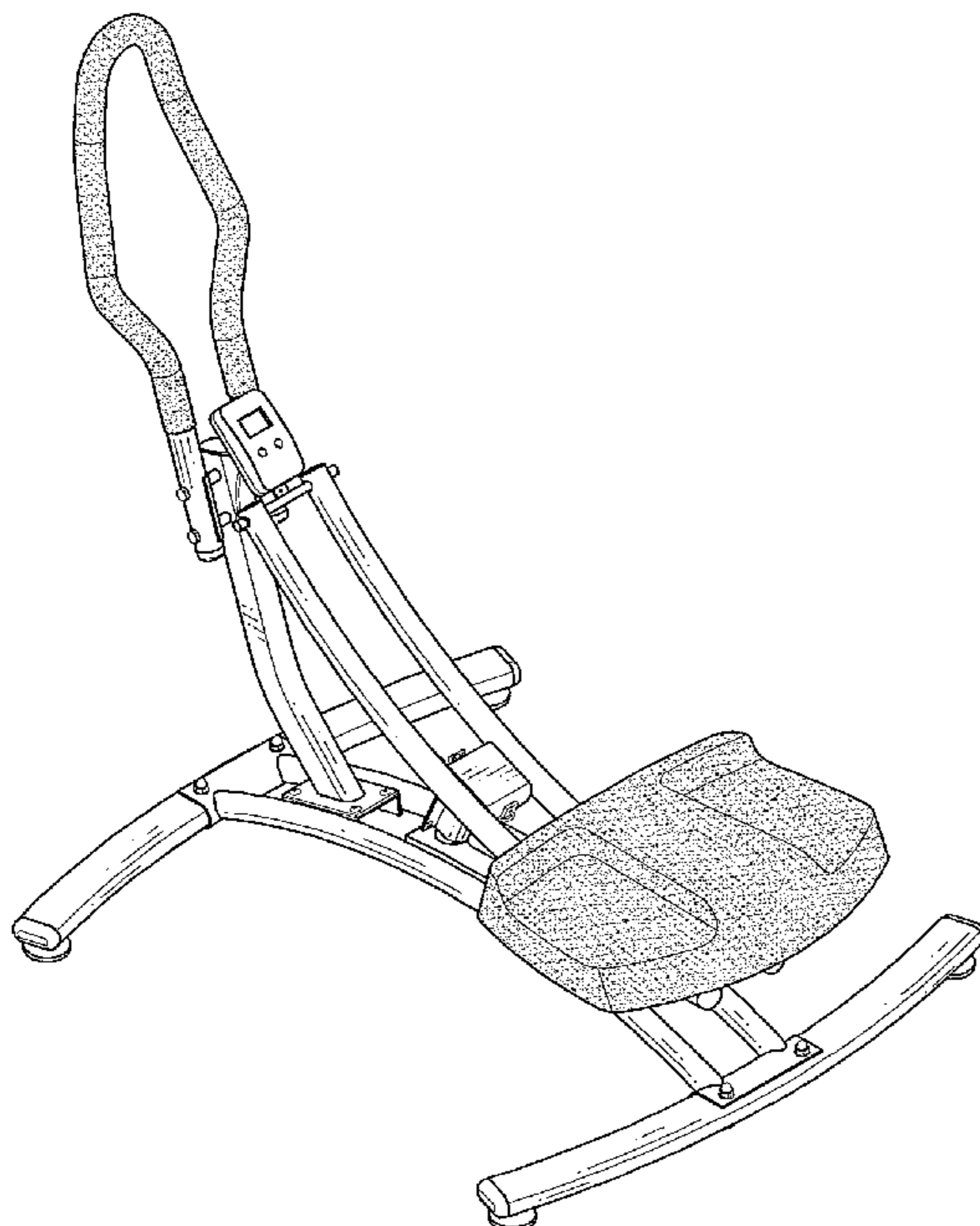
FIG. 9 is a second top perspective view thereof, showing the exercising machine in condition of use;

FIG. 10 is third top perspective view thereof, showing the exercising machine in condition of use; and,

FIG. 11 is a fourth top perspective view thereof, showing the exercising machine in condition of use.

The broken lines showing a human figure illustrates environmental structure which form no part of the claimed design.

1 Claim, 10 Drawing Sheets



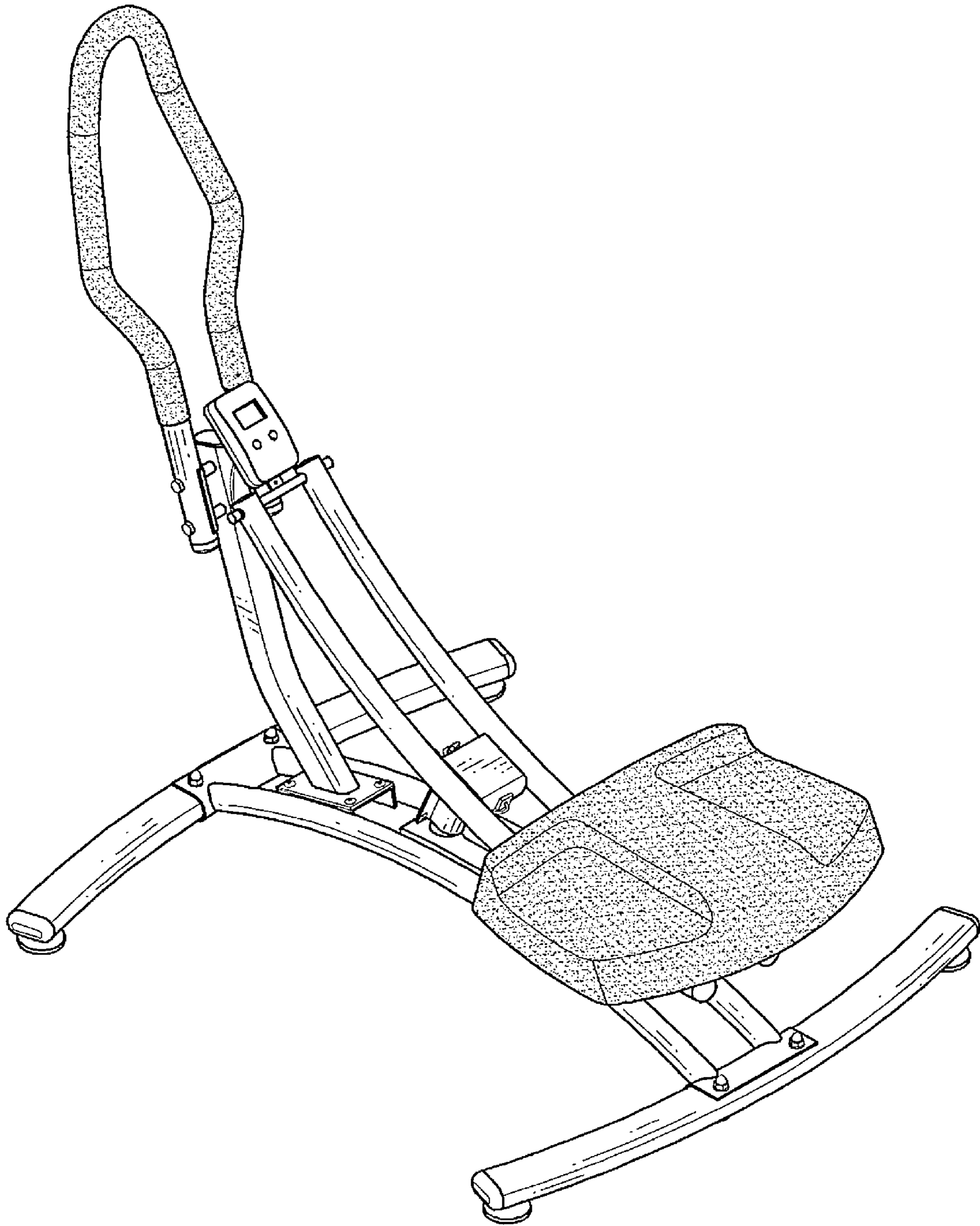


FIG. 1

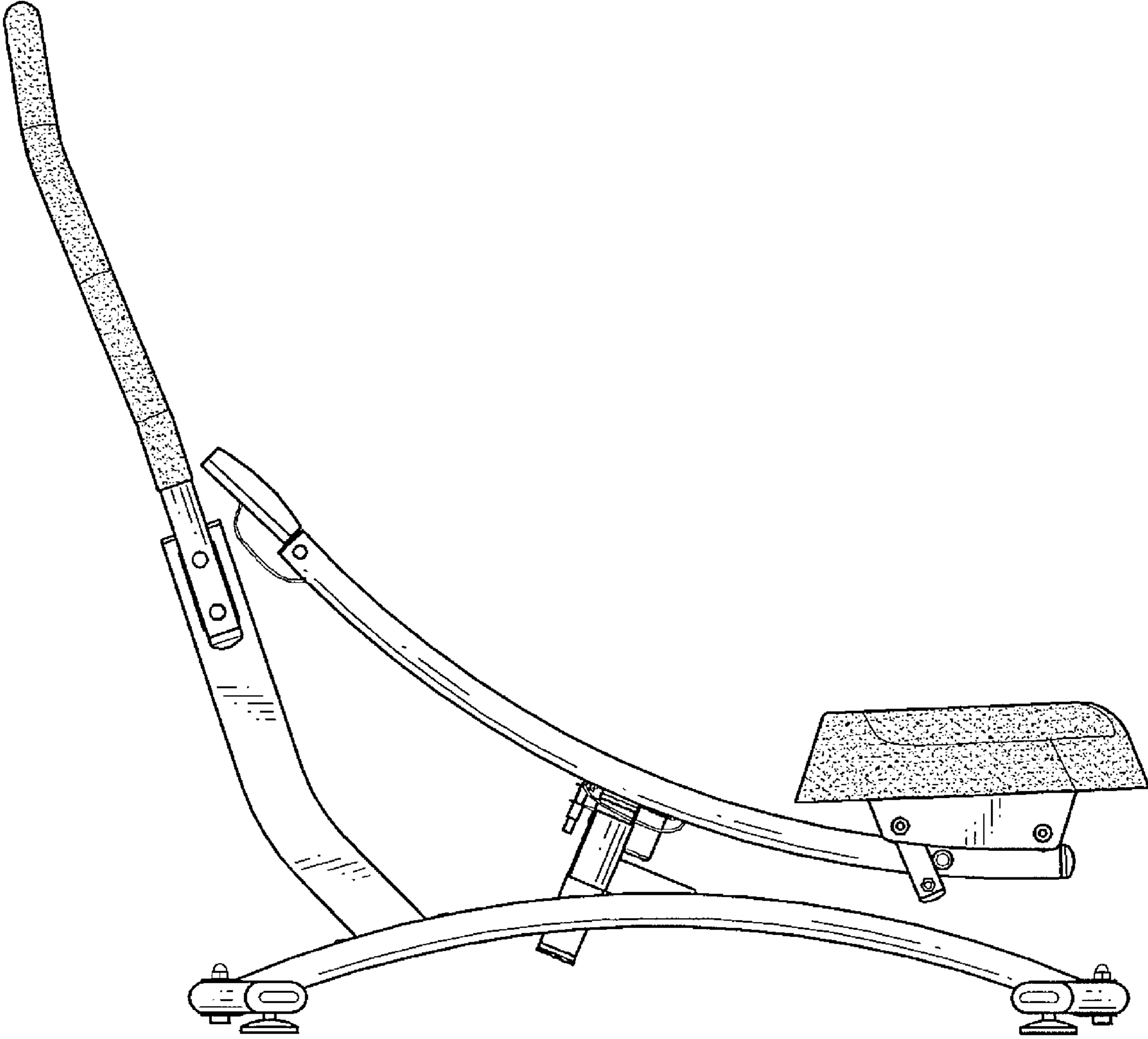


FIG. 2

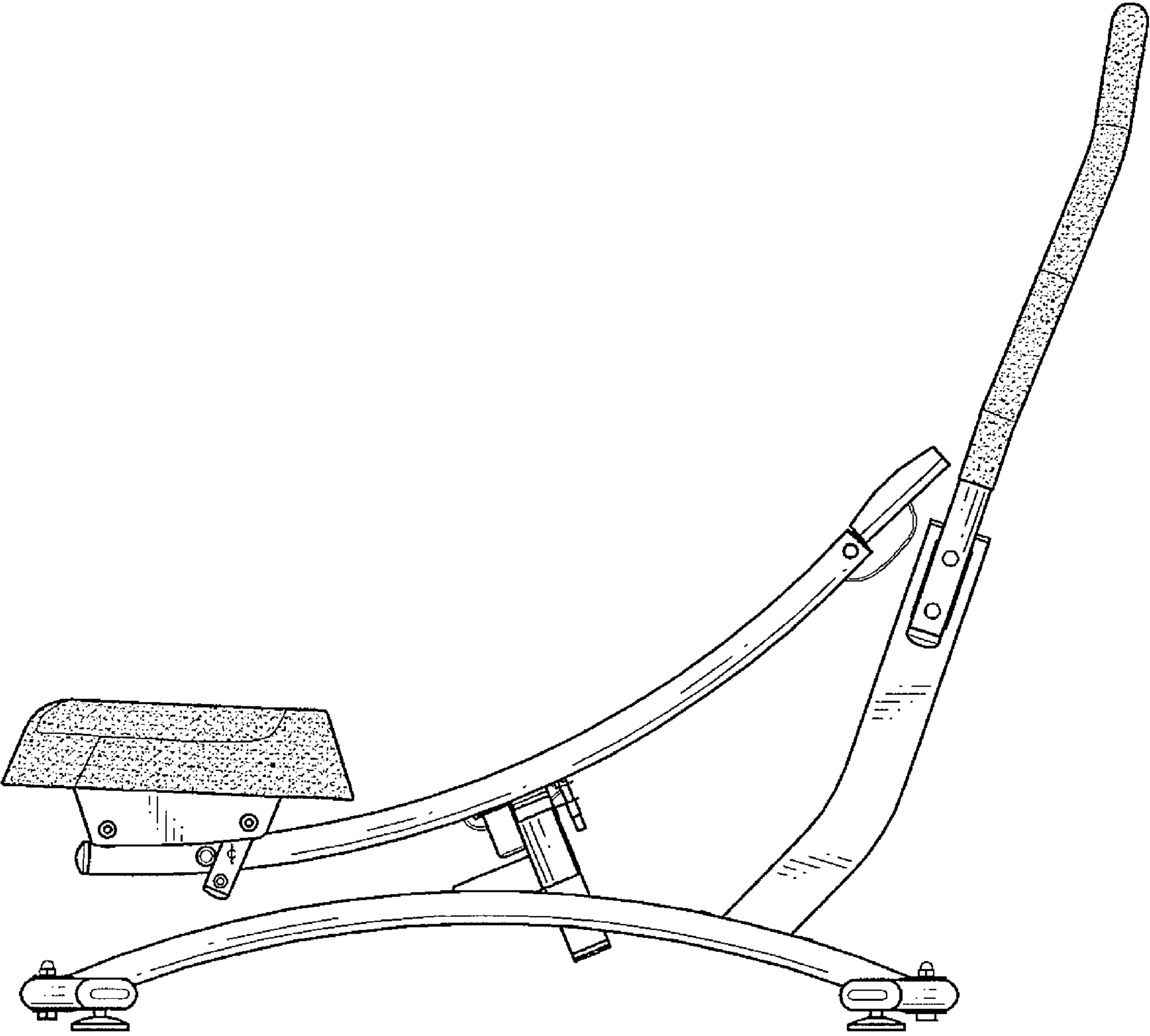


FIG. 3

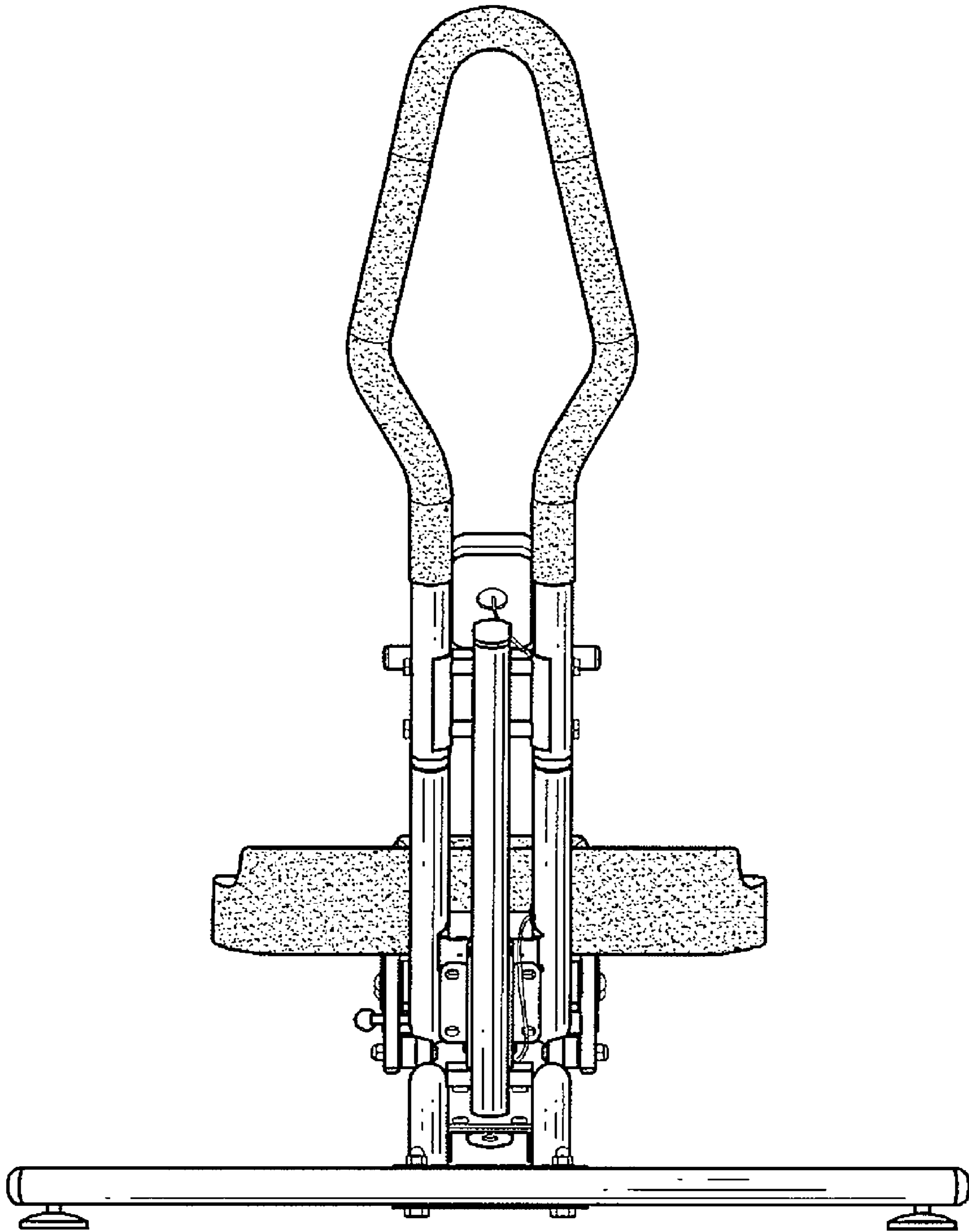


FIG. 4

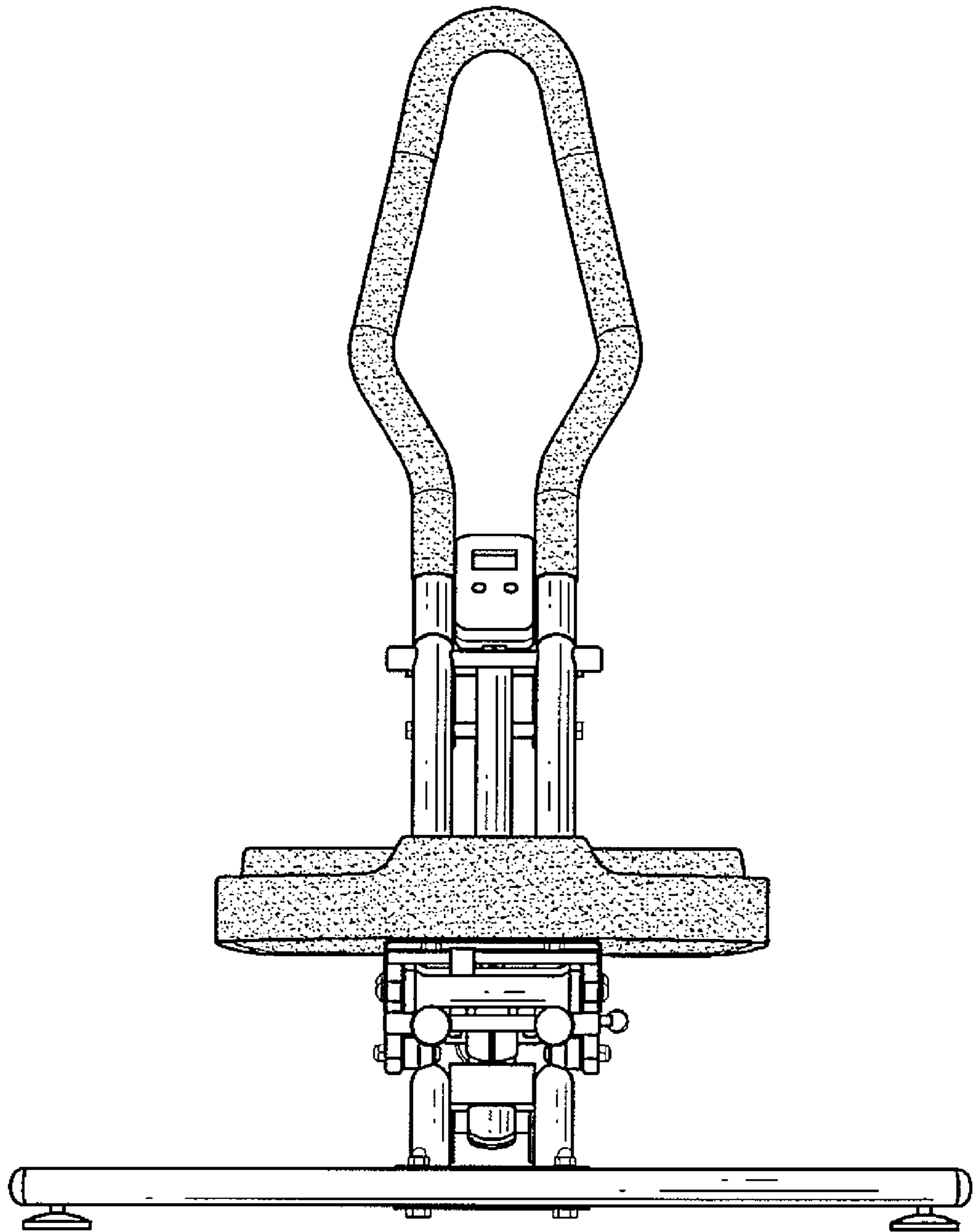


FIG. 5

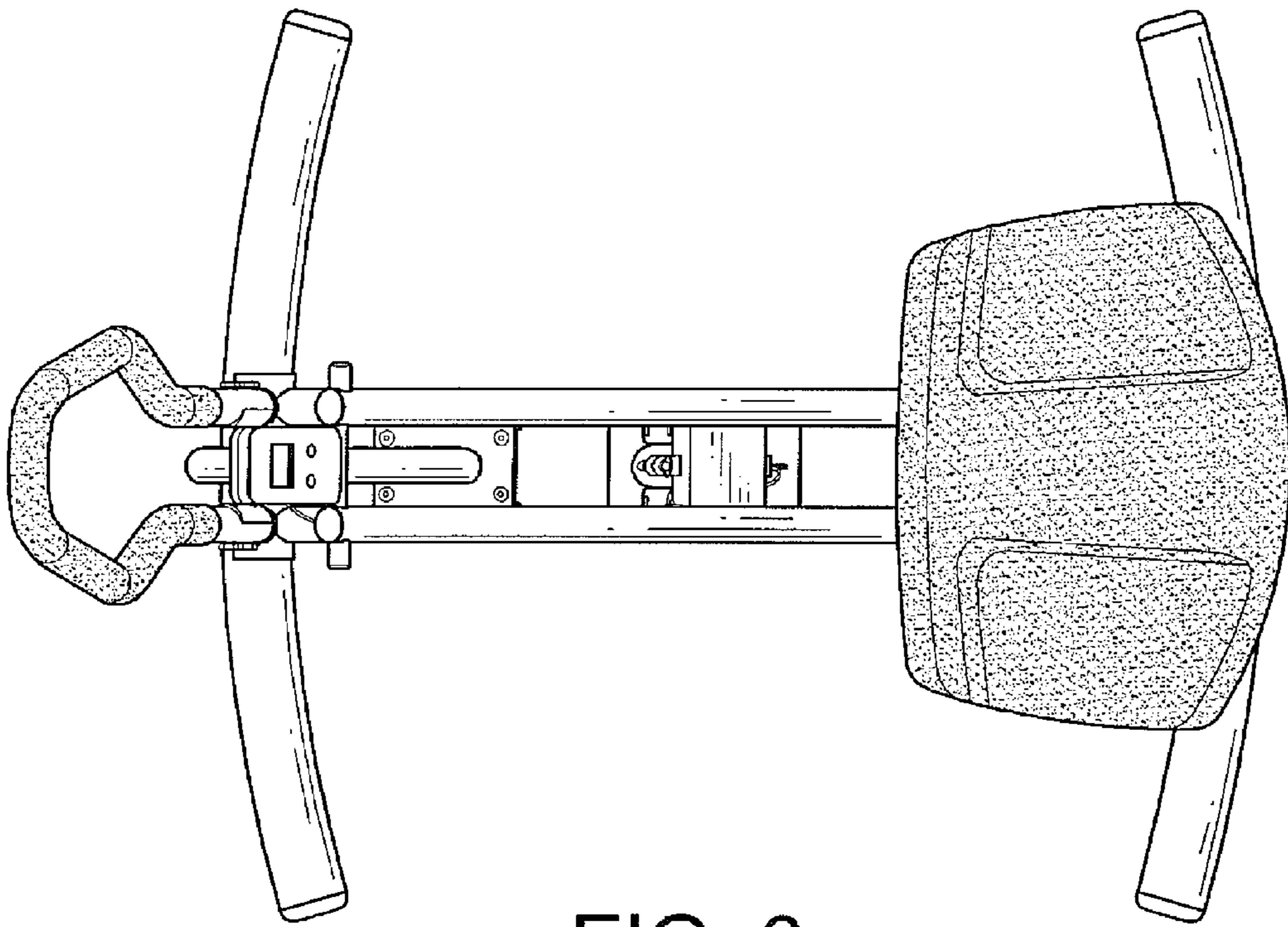


FIG. 6

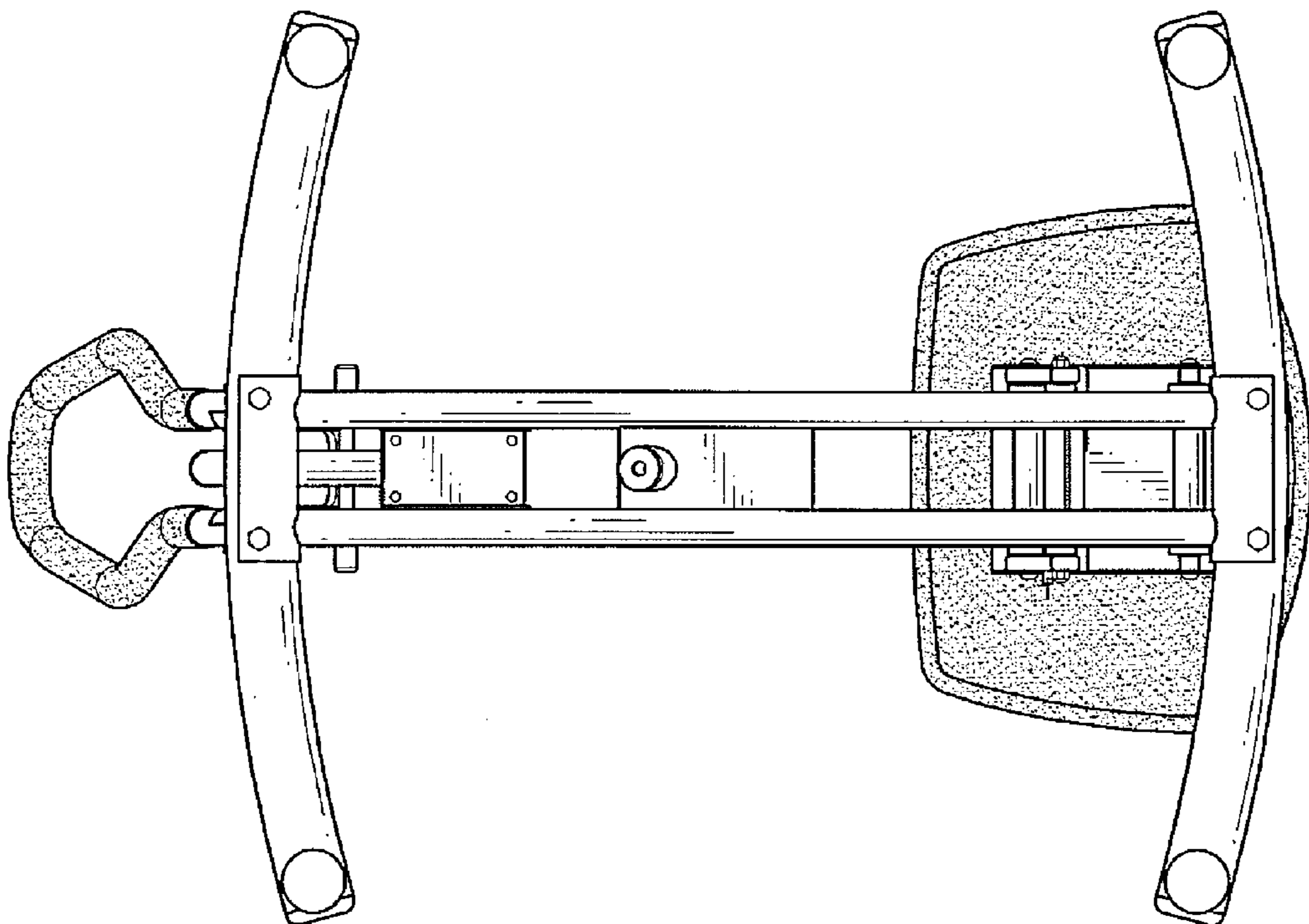


FIG. 7

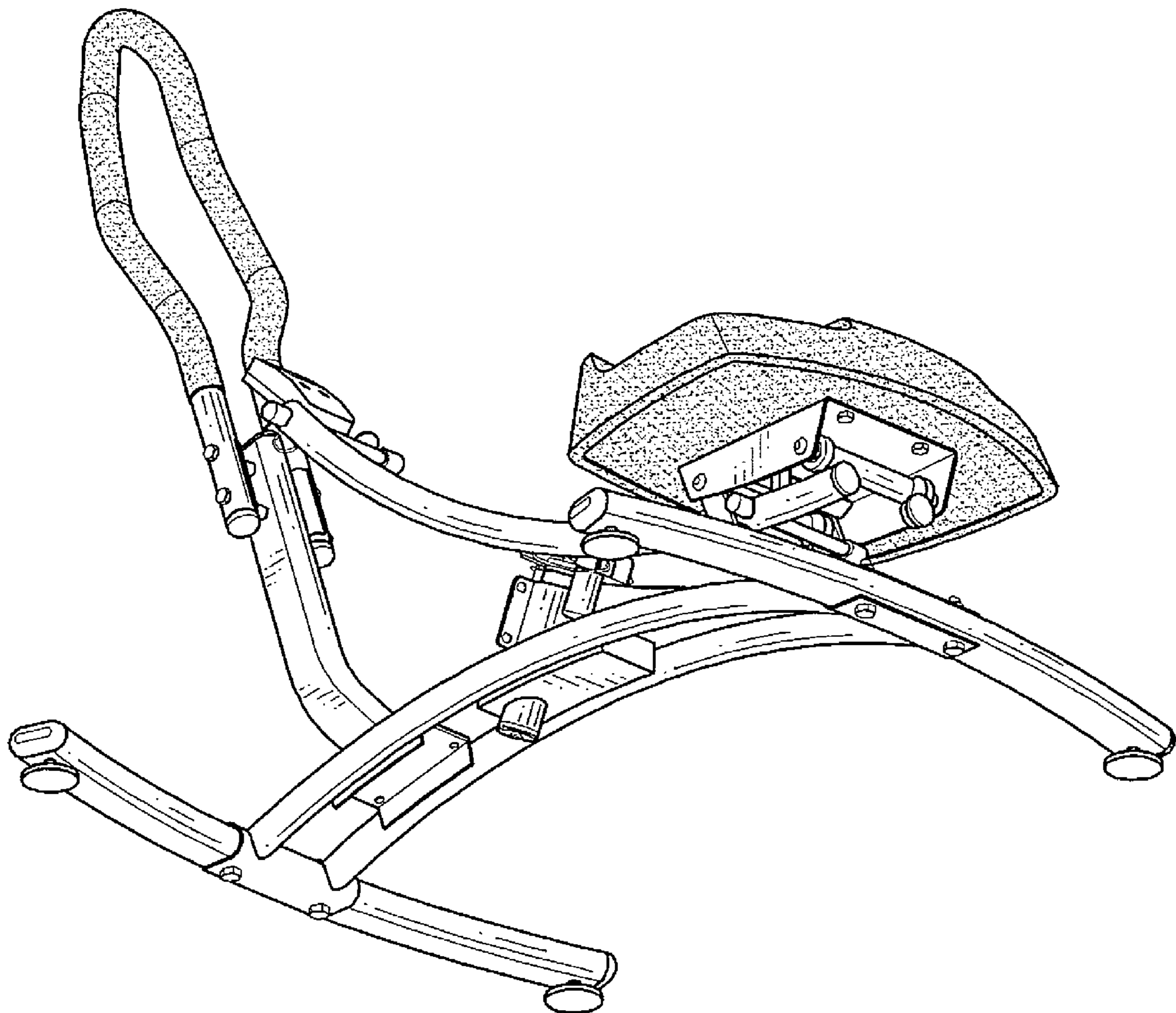


FIG. 8

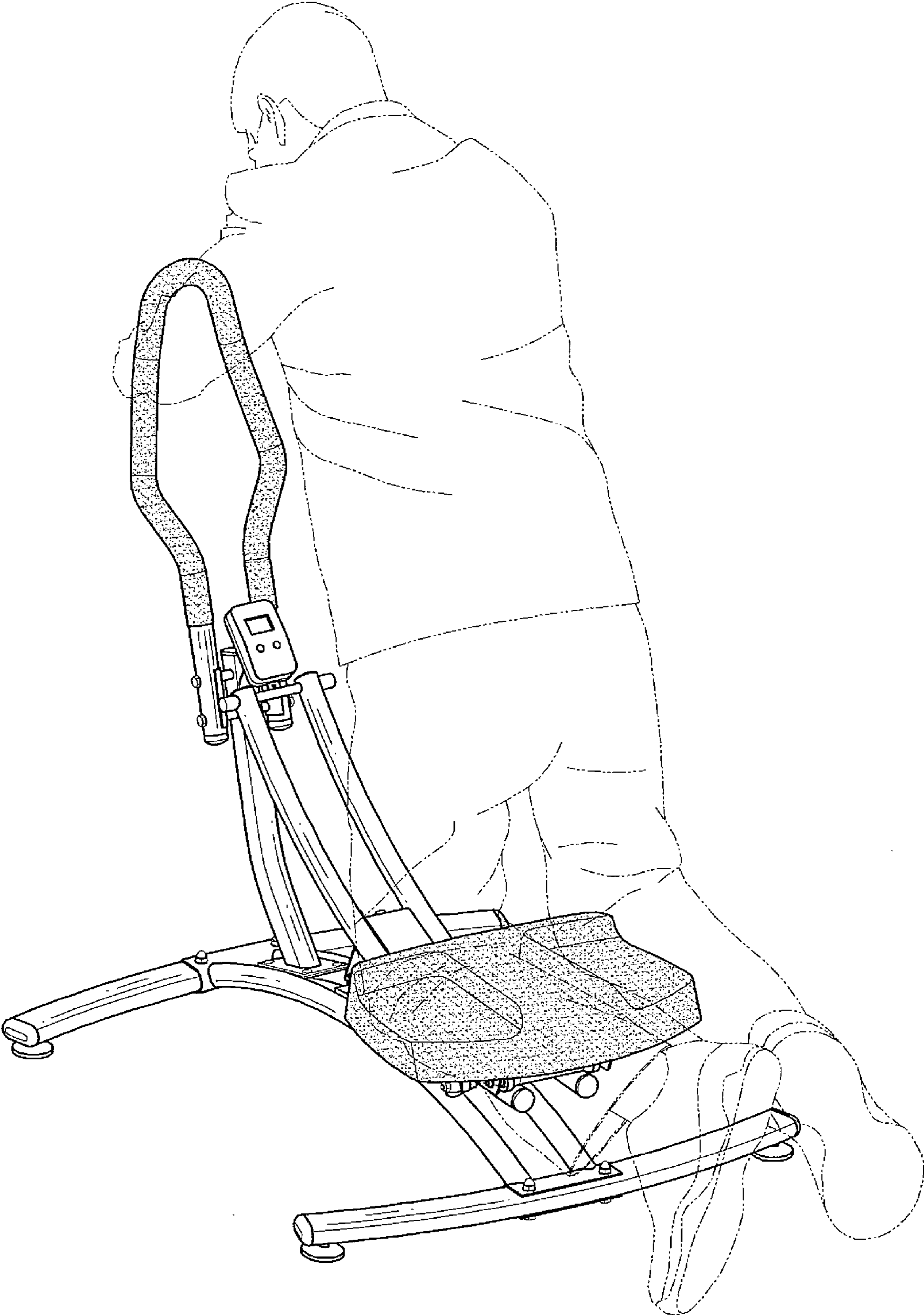


FIG. 9

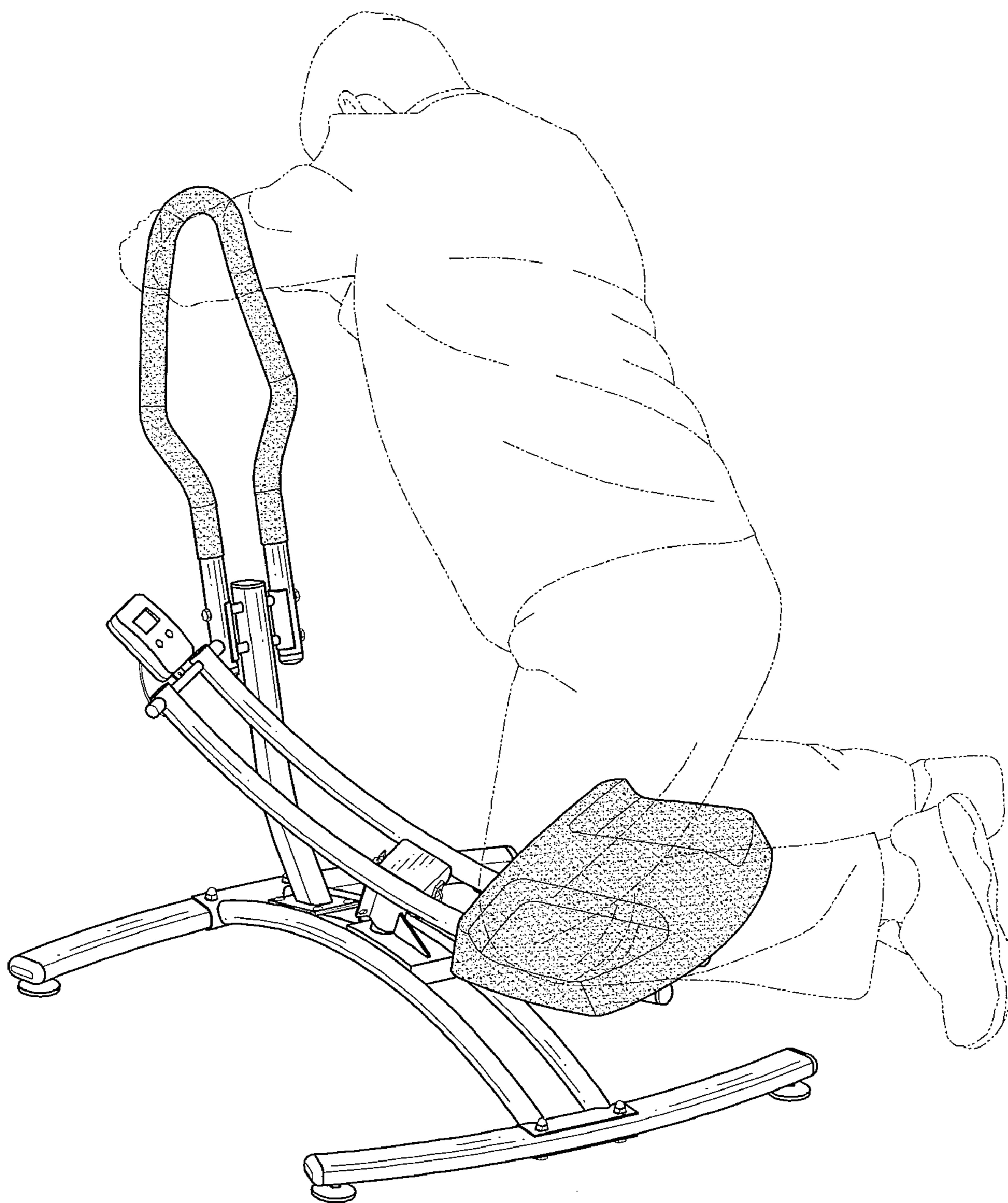


FIG. 10

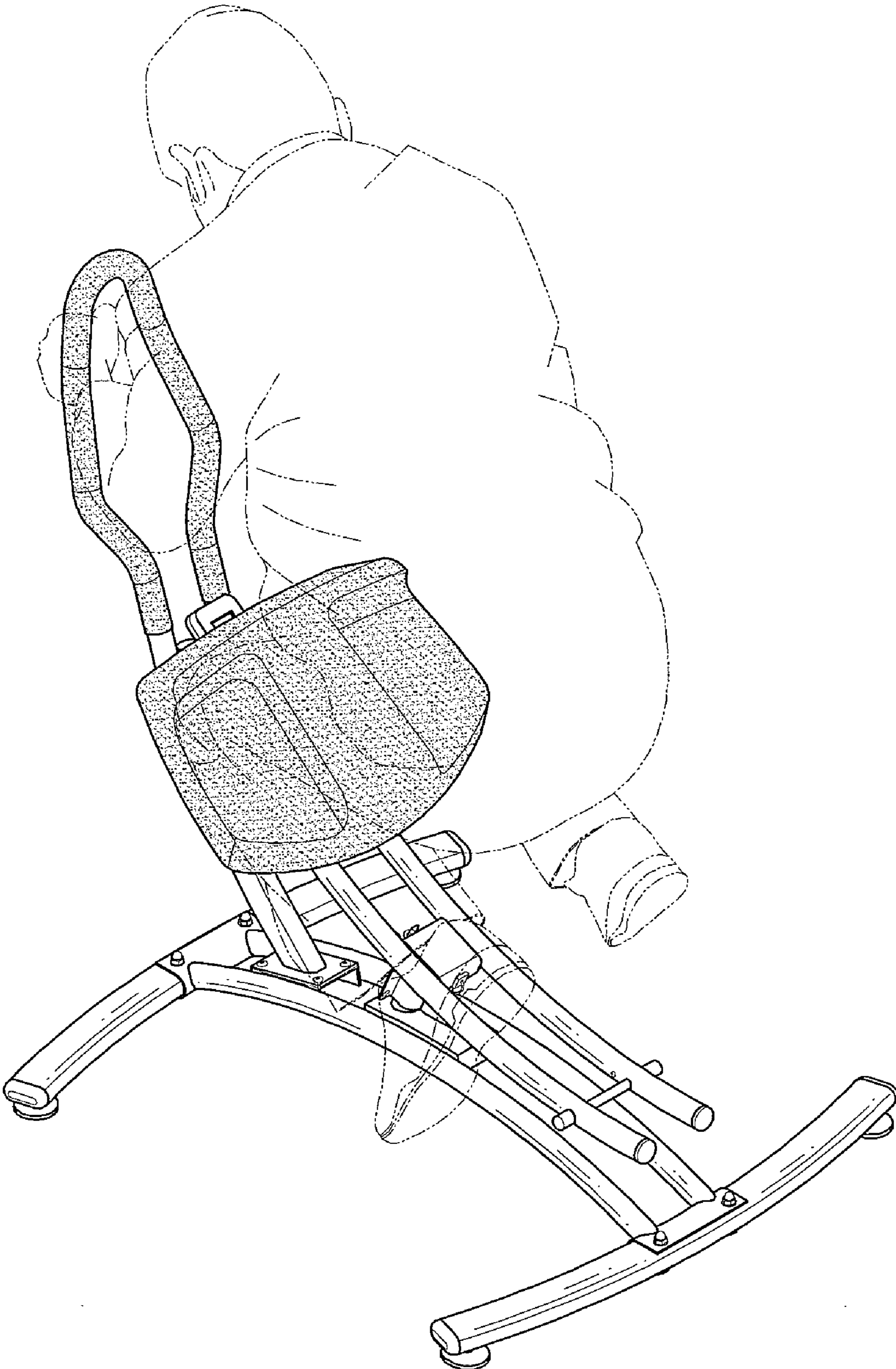


FIG. 11