



US00D631513S

(12) **United States Design Patent**
Weinert

(10) **Patent No.:** **US D631,513 S**
(45) **Date of Patent:** **** Jan. 25, 2011**

(54) **CARRIER FOR BUSINESS CARD AND MEMORY CARD**

(76) Inventor: **Tyson S. Weinert**, 91-1200 Keaunui Dr., #603, Ewa Beach, HI (US) 96706

(**) Term: **14 Years**

(21) Appl. No.: **29/356,684**

(22) Filed: **Mar. 1, 2010**

(51) **LOC (9) Cl.** **19-02**

(52) **U.S. Cl.** **D19/91**

(58) **Field of Classification Search** D6/449, D6/473, 474, 477, 478, 479, 553; D19/75, D19/77, 78, 86-87, 90-92; 206/39, 39.5, 206/215, 449; 211/10, 11, 45, 50, 55, 126.1, 211/126.2, 126.13, 126.16; 312/183; D3/201, D3/247, 298, 302, 315

See application file for complete search history.

(56) **References Cited**

U.S. PATENT DOCUMENTS

493,473 A * 3/1893 Borgstrom 206/39

(Continued)

Primary Examiner—Elizabeth A Albert

(74) *Attorney, Agent, or Firm*—Leighton K. Chong

(57) **CLAIM**

The ornamental design for a carrier for business card and memory card, as shown and described.

DESCRIPTION

FIG. 1 is a front perspective view of a first embodiment of a carrier for business card and memory card showing my new design;

FIG. 2 is a rear perspective view of FIG. 1;

FIG. 3 is a left side view of FIG. 1;

FIG. 4 is a right side view of FIG. 1;

FIG. 5 is a front end view of FIG. 1;

FIG. 6 is a back end view of FIG. 1;

FIG. 7 is a top plan view of FIG. 1;

FIG. 8 is a bottom plan view of FIG. 1;

FIG. 9 is an exploded perspective view of FIG. 1;

FIG. 10 is a front perspective view of another embodiment of my design for a carrier for business card and memory card;

FIG. 11 is a rear perspective view of FIG. 10;

FIG. 12 is a left side view of FIG. 10;

FIG. 13 is a right side view of FIG. 10;

FIG. 14 is a front end view of FIG. 10;

FIG. 15 is a back end view of FIG. 10;

FIG. 16 is a top plan view of FIG. 10;

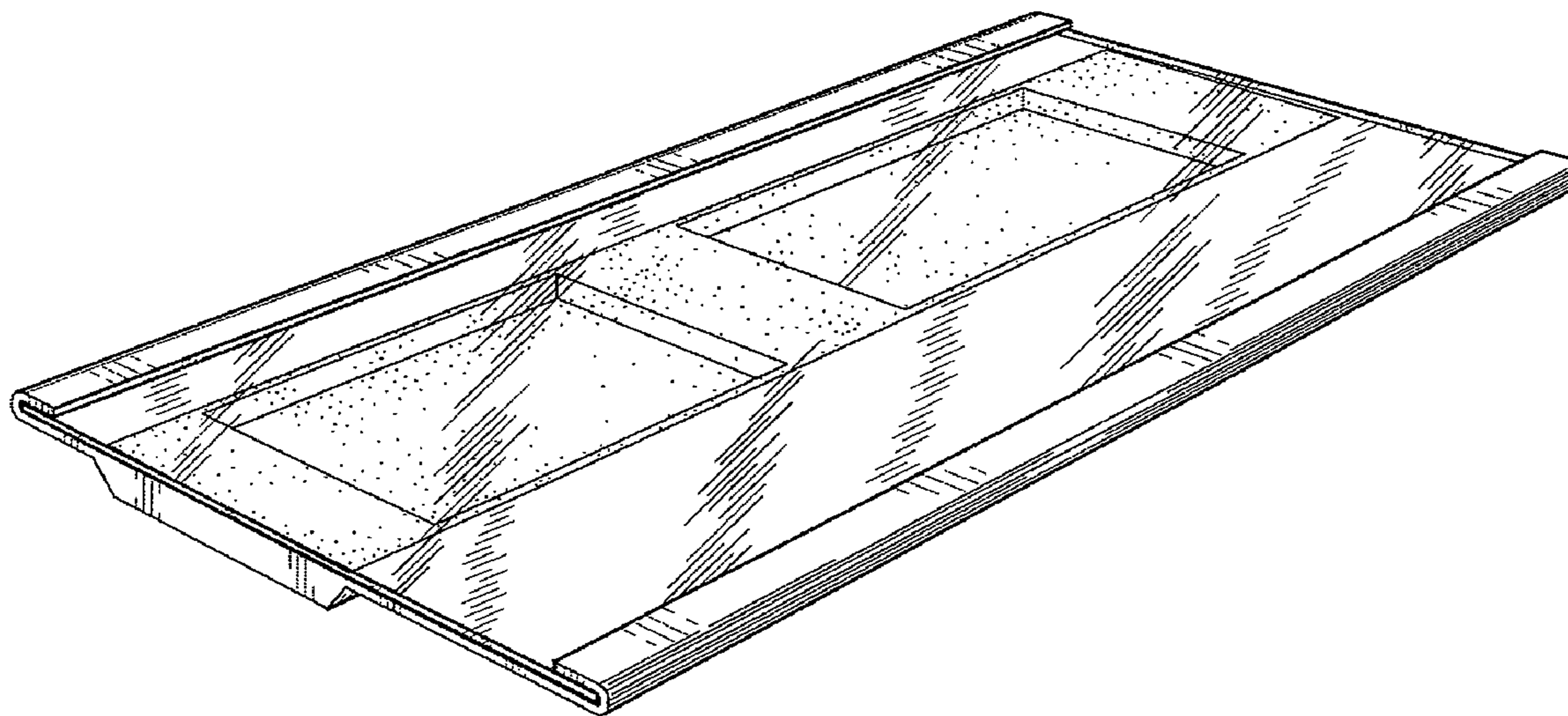
FIG. 17 is a bottom plan view of FIG. 10; and,

FIG. 18 is an exploded perspective view of FIG. 10.

The broken lines showing the business card and memory card in FIGS. 9 and 18 show the environment of the article and form no part of the claimed design.

The stippling shown in the drawings represents a contrast of material.

1 Claim, 14 Drawing Sheets



US D631,513 S

Page 2

U.S. PATENT DOCUMENTS

1,415,276	A *	5/1922	Terner	206/39.5	4,450,955	A *	5/1984	Featherston	206/39.6
1,650,070	A *	11/1927	Hansman et al.	40/651	4,542,286	A *	9/1985	Golarz	235/377
1,663,103	A *	3/1928	Thompson	206/305	5,069,333	A *	12/1991	Chen	206/39.5
2,295,747	A *	9/1942	Mills	220/351	D337,618	S *	7/1993	Chan	D19/92
2,581,762	A *	1/1952	Hesse	40/653	5,938,010	A *	8/1999	Osterbye	206/38
2,725,913	A *	12/1955	Horwin	150/147	D479,462	S *	9/2003	Chan	D9/422
3,029,537	A *	4/1962	Hopp et al.	40/653	D530,926	S *	10/2006	Sellers	D6/300
3,982,342	A *	9/1976	Moore	40/5	D555,737	S *	11/2007	Brown	D19/91
D256,852	S *	9/1980	McGahee	D3/247	D607,061	S *	12/2009	Kosir	D20/44
4,356,646	A *	11/1982	Johnson, Jr.	40/651	2004/0217116	A1 *	11/2004	Offerman et al.	220/345.2

* cited by examiner

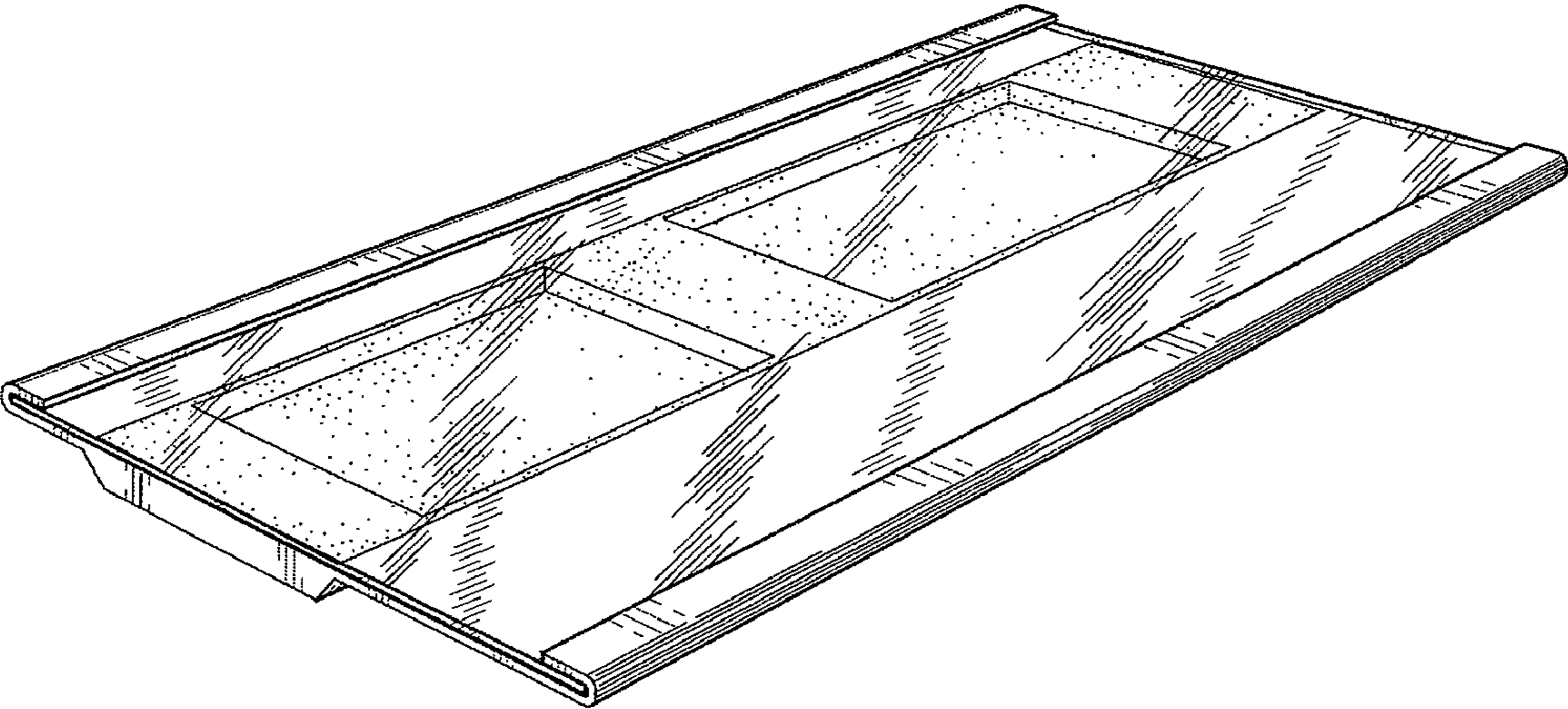


FIG. 1

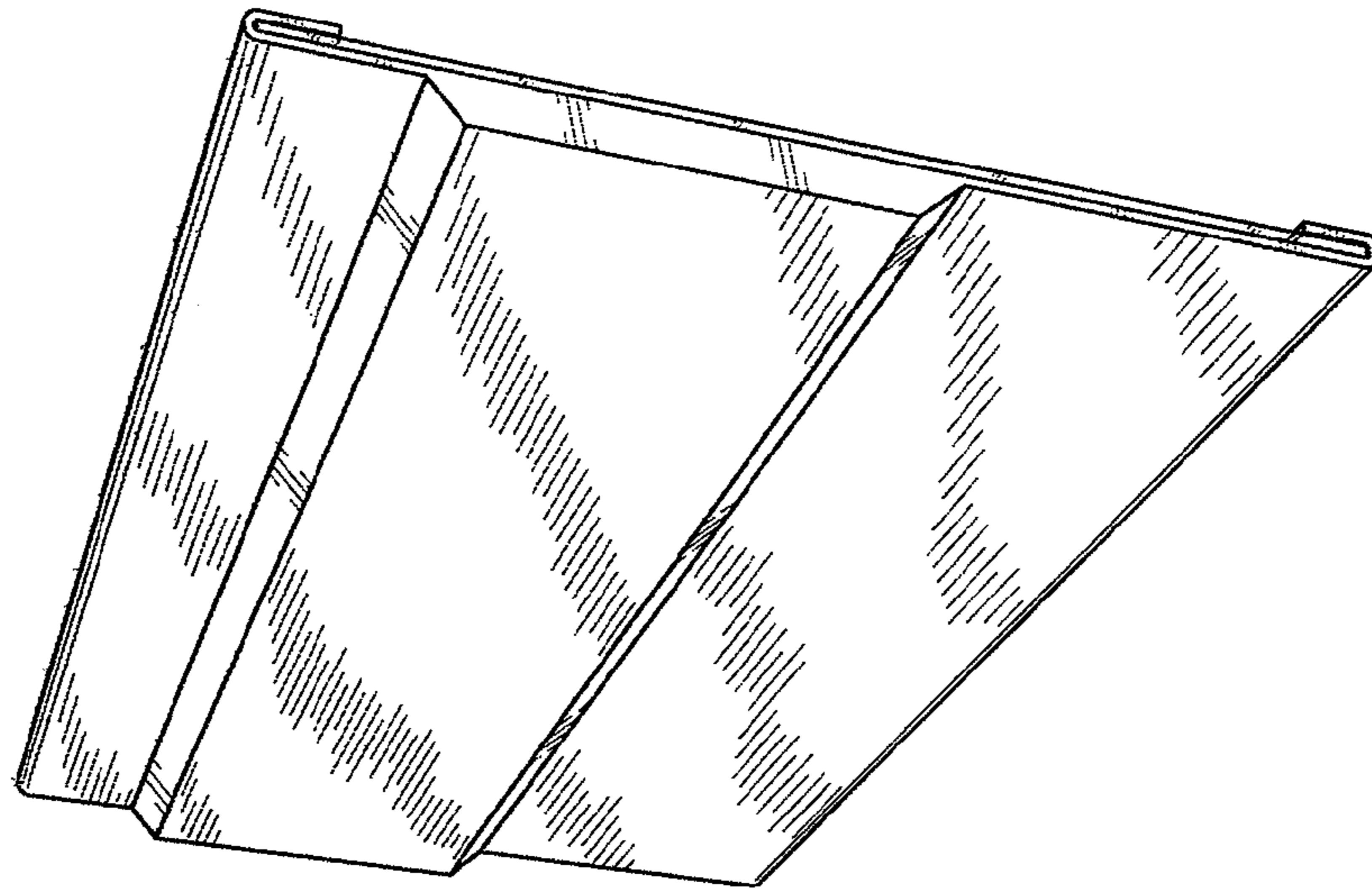


FIG. 2

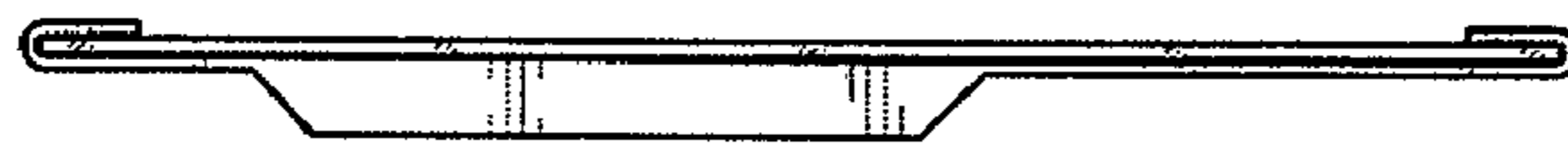


FIG. 3



FIG. 4

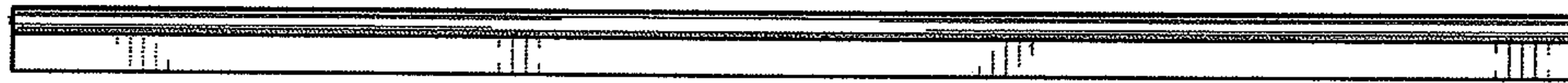


FIG. 5

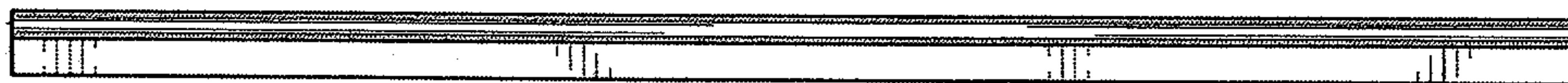


FIG. 6

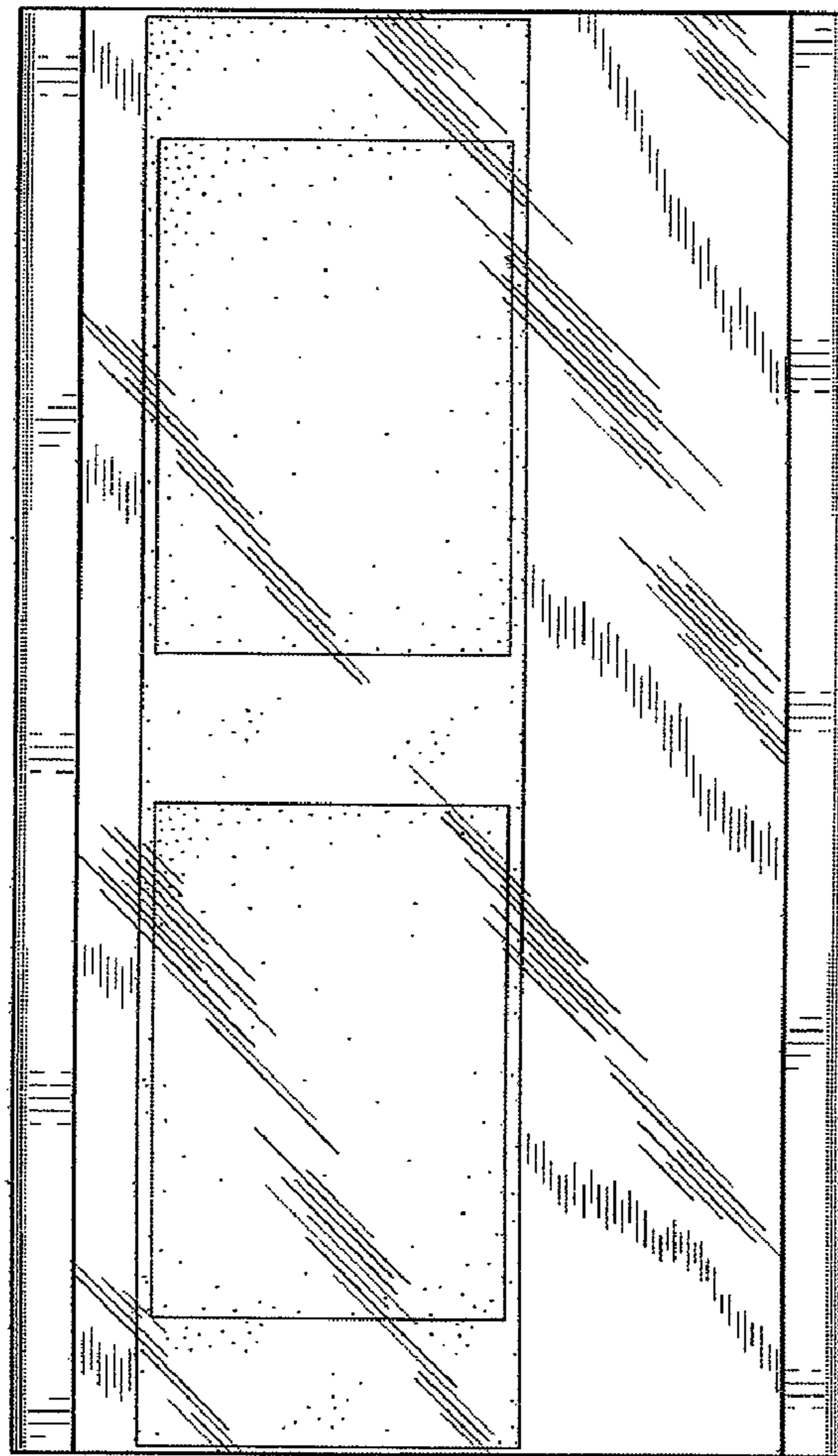


FIG. 7

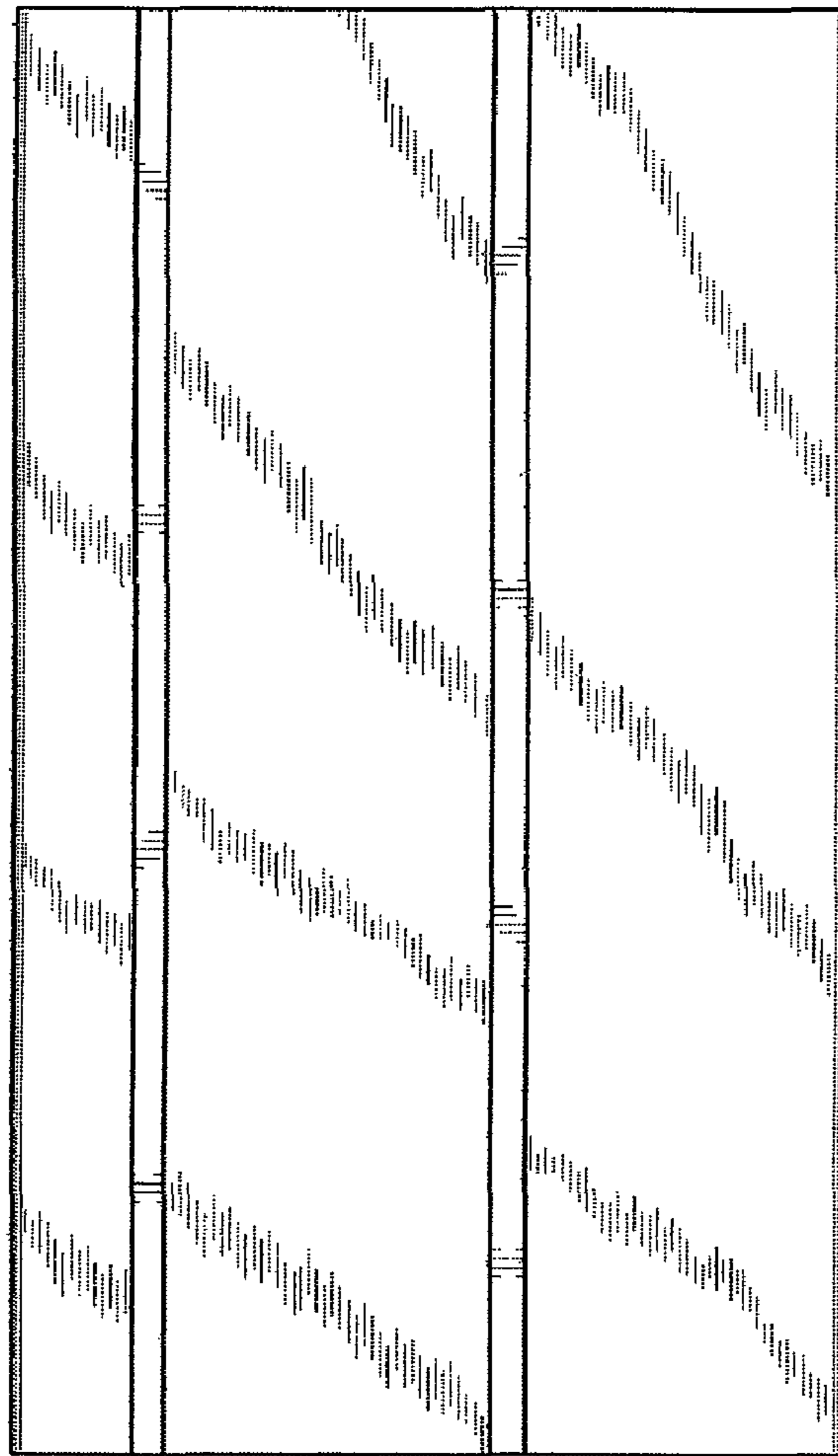
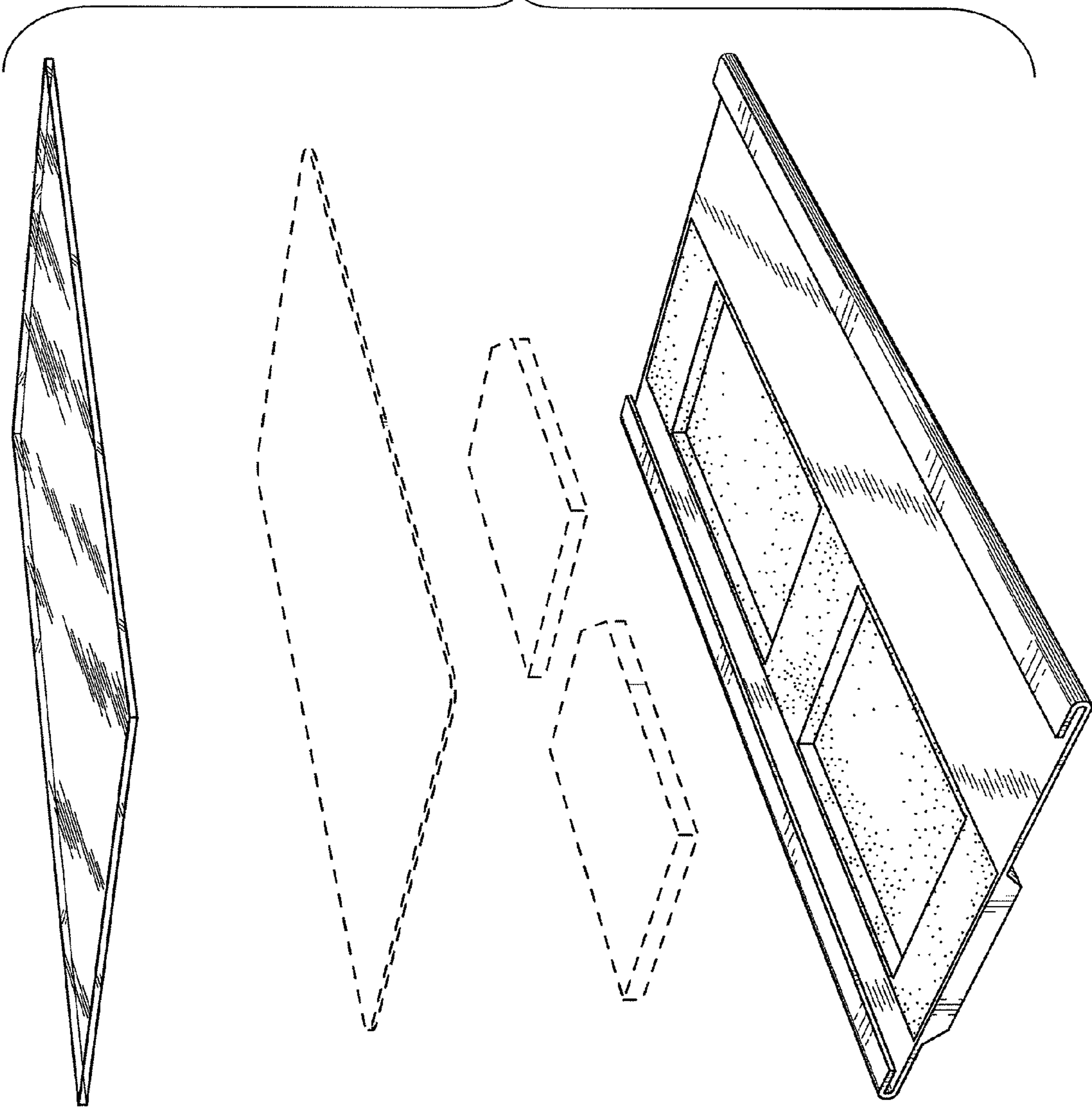


FIG. 8

FIG. 9



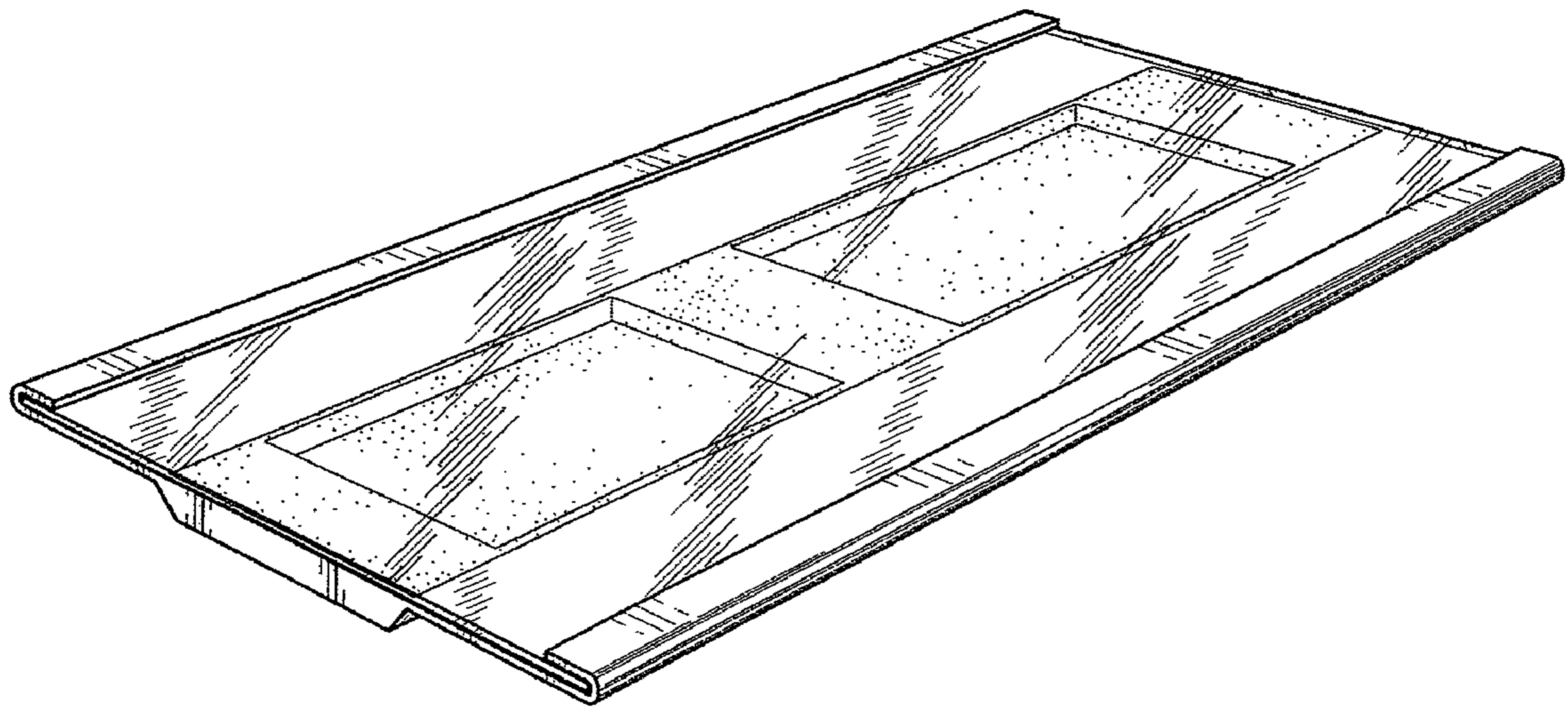


FIG. 10

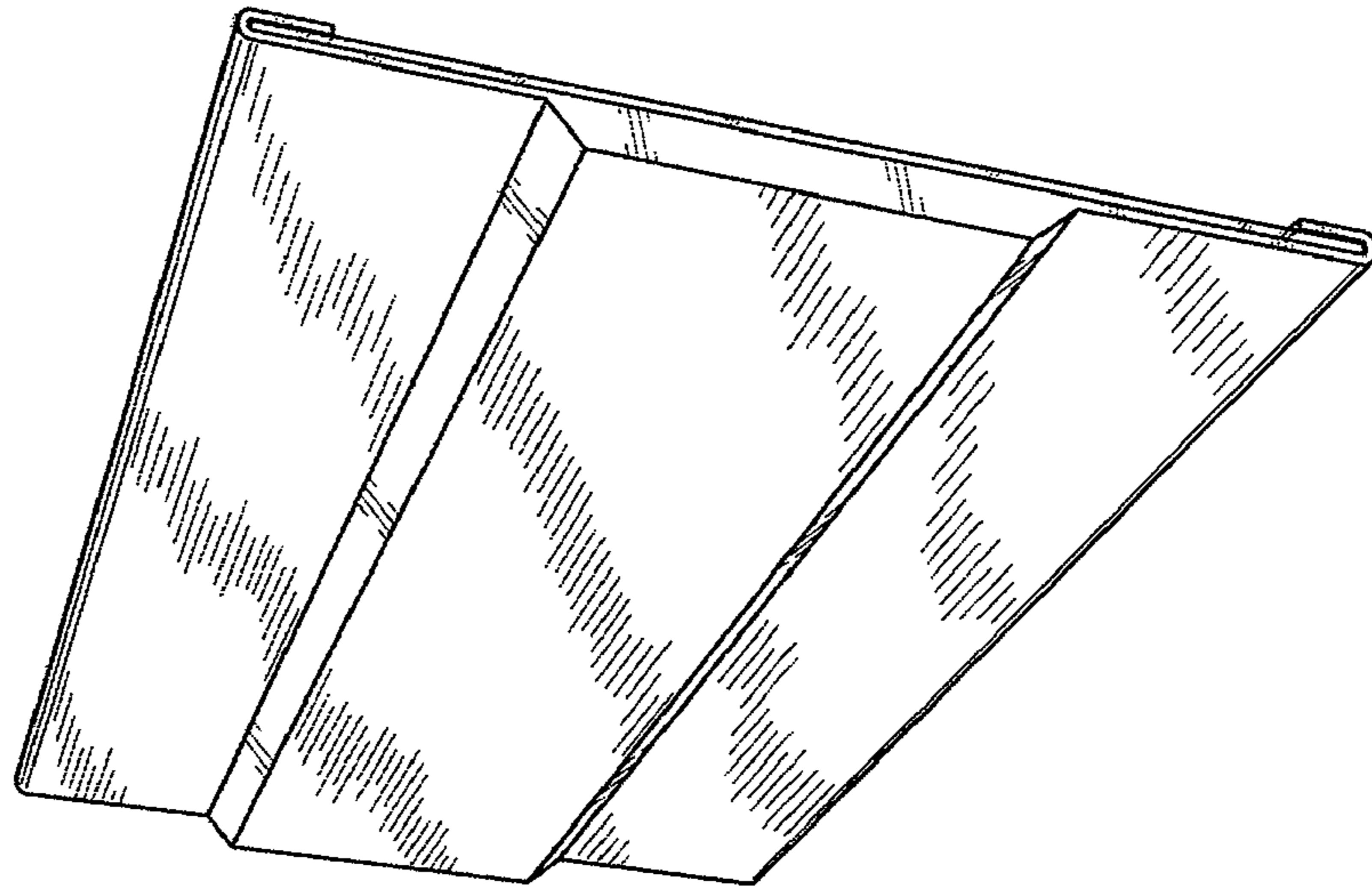


FIG. 11

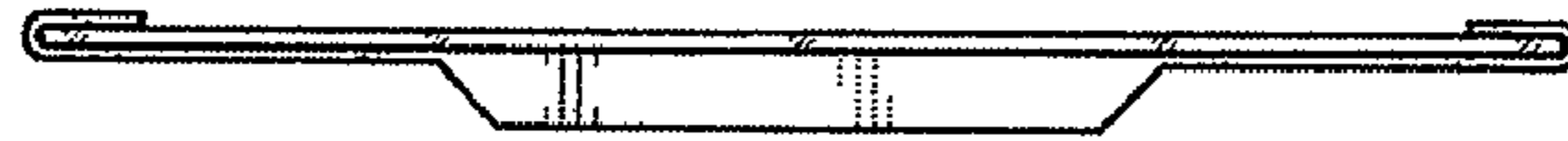


FIG. 12

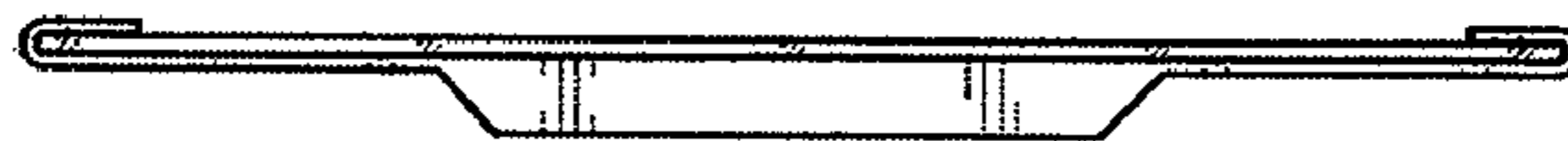


FIG. 13

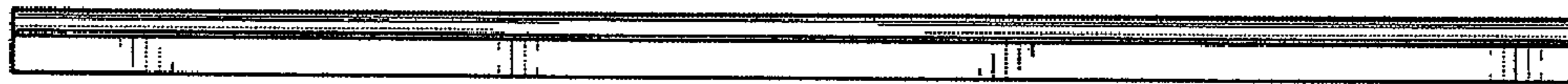


FIG. 14

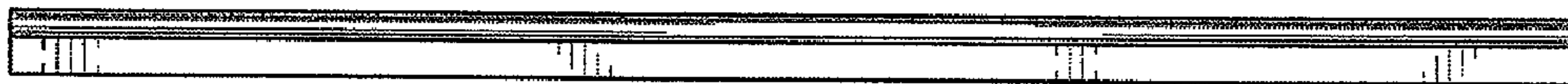


FIG. 15

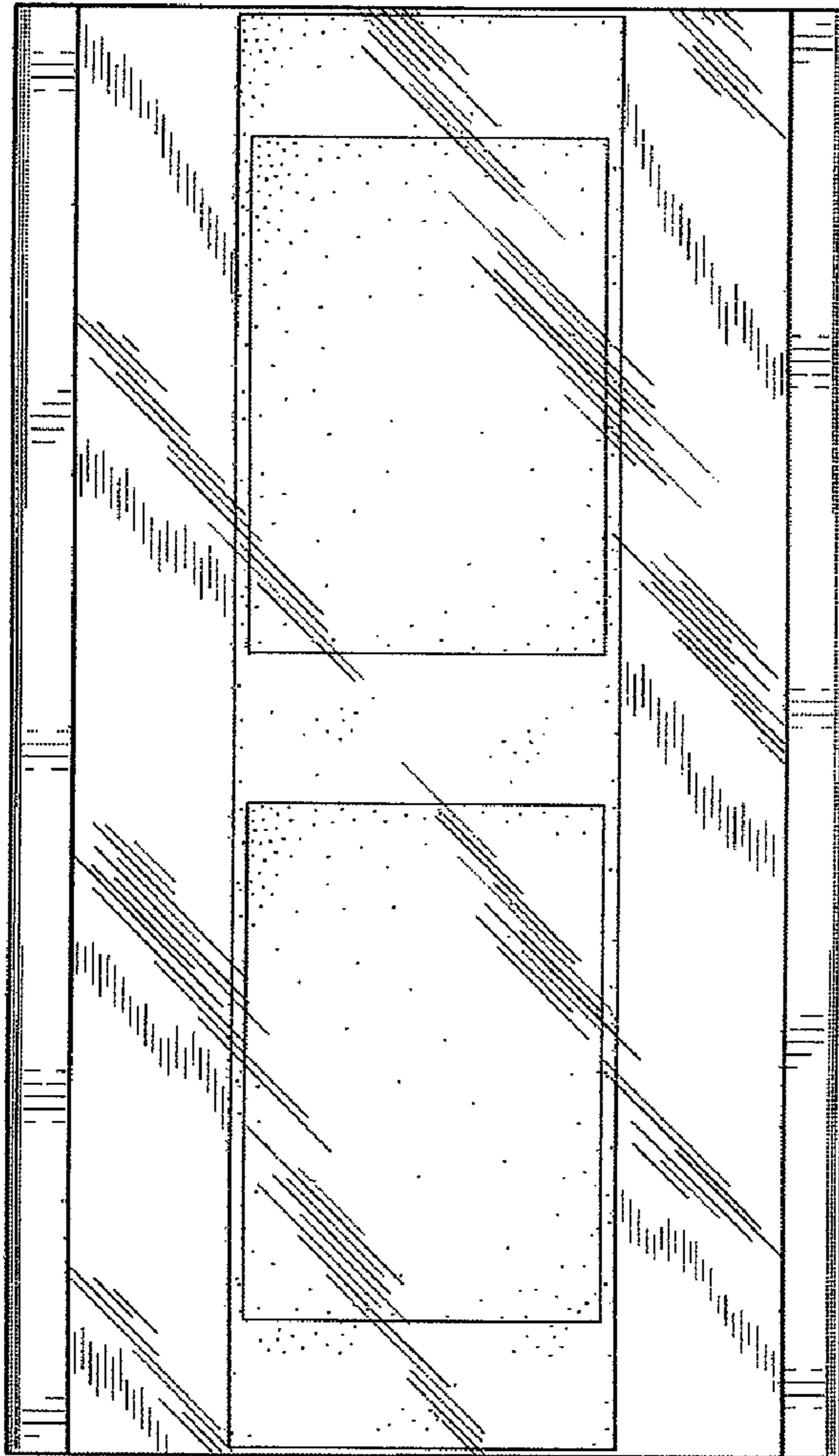


FIG. 16

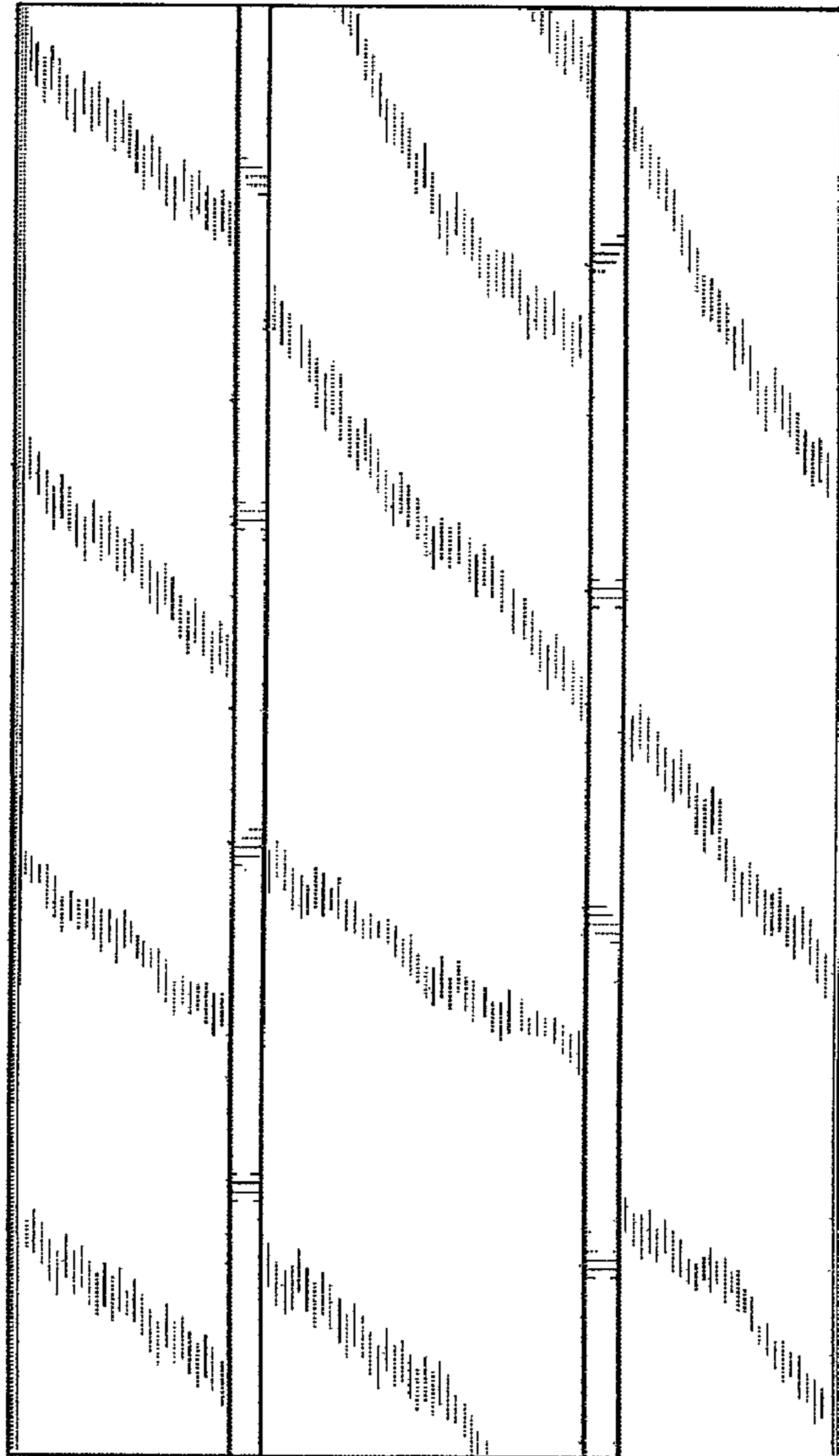


FIG. 17

FIG. 18

