



US00D631509S

(12) **United States Design Patent**  
**Liang**

(10) **Patent No.:** **US D631,509 S**

(45) **Date of Patent:** **\*\* Jan. 25, 2011**

(54) **MAGNETIC CLIP FOR STICKY NOTES**

(75) Inventor: **Hong Liang**, Zhejiang (CN)

(73) Assignee: **Ningbo Power Stationery & Promotion Industry Co., Ltd.** (CN)

(\*\*) Term: **14 Years**

(21) Appl. No.: **29/367,308**

(22) Filed: **Aug. 5, 2010**

(51) **LOC (9) Cl.** ..... **19-06**

(52) **U.S. Cl.** ..... **D19/65**

(58) **Field of Classification Search** ..... D8/394,  
D8/395, 396; D11/78.1; D19/65, 86, 99,  
D19/100; 24/67 R, 67.1, 67.3, 67.5, 67.7,  
24/67.9, 69.11, 67 CF, 67 P

See application file for complete search history.

(56) **References Cited**

**U.S. PATENT DOCUMENTS**

D274,127 S *	6/1984	Einhorn et al.	.....	D8/395
D302,568 S *	8/1989	Berger	.....	D19/65
5,079,808 A *	1/1992	Brown	.....	24/67.7
D328,668 S *	8/1992	Legrand	.....	D2/978
5,272,792 A *	12/1993	Harper	.....	24/67 CF
D432,906 S *	10/2000	Stoddard	.....	D8/395
D478,628 S *	8/2003	Sheldon et al.	.....	D19/65
6,754,937 B1 *	6/2004	Martin	.....	24/351
D514,434 S *	2/2006	Mariano et al.	.....	D8/395

D523,477 S *	6/2006	Cetera	.....	D19/65
D571,649 S *	6/2008	Baker	.....	D8/395
D574,226 S *	8/2008	Wolff	.....	D8/395
D593,609 S *	6/2009	Blau	.....	D19/65
D615,394 S *	5/2010	Pearson et al.	.....	D8/395

\* cited by examiner

*Primary Examiner*—Elizabeth A Albert

(74) *Attorney, Agent, or Firm*—St. Onge Steward Johnston & Reens LLC

(57) **CLAIM**

The ornamental design for a magnetic clip for sticky notes, as shown and described.

**DESCRIPTION**

FIG. 1 is a top perspective view of a magnetic clip for sticky notes in accordance with the new design;

FIG. 2 is a top view thereof;

FIG. 3 is a bottom view thereof;

FIG. 4 is a front view thereof;

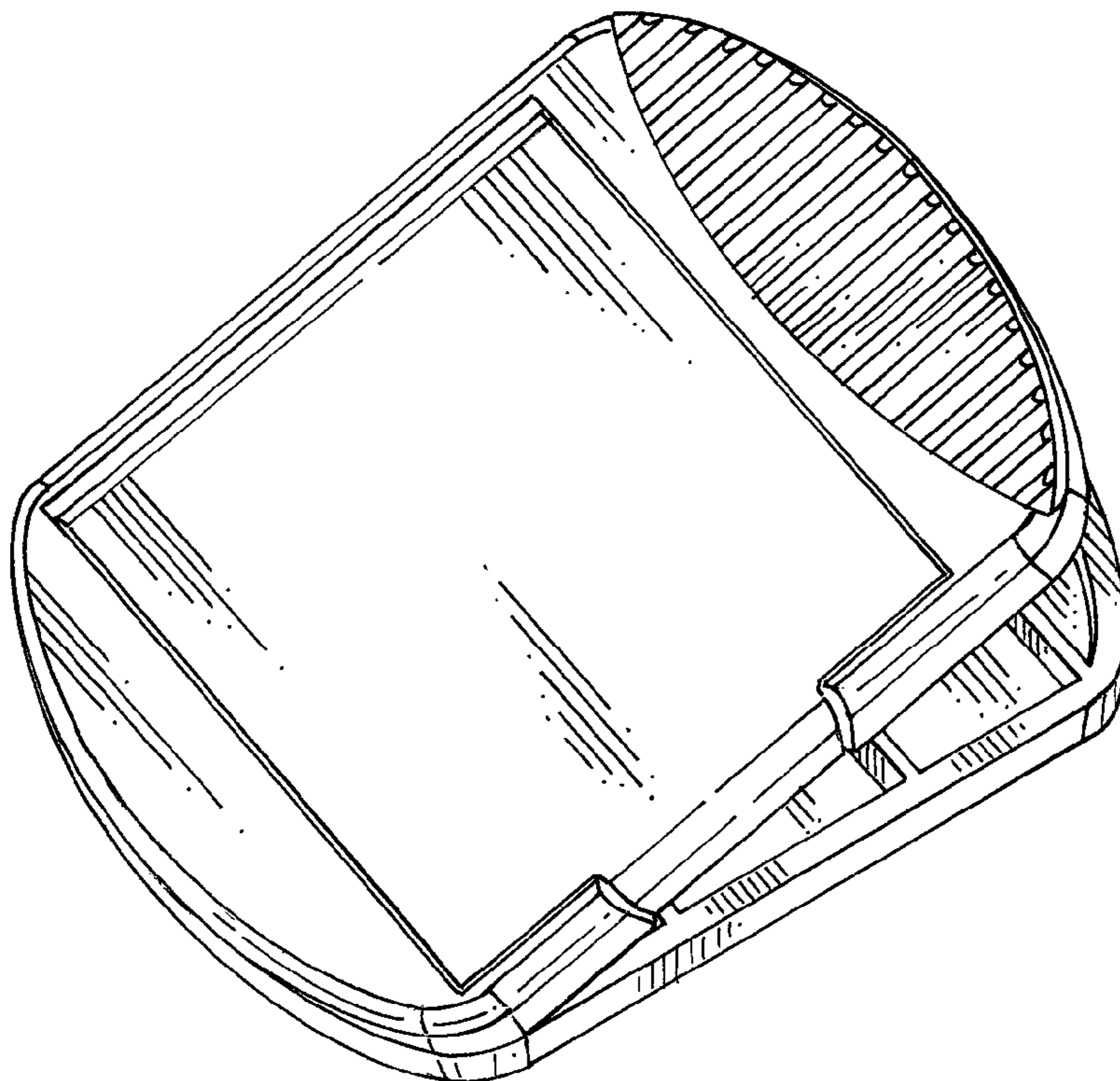
FIG. 5 is a rear view thereof;

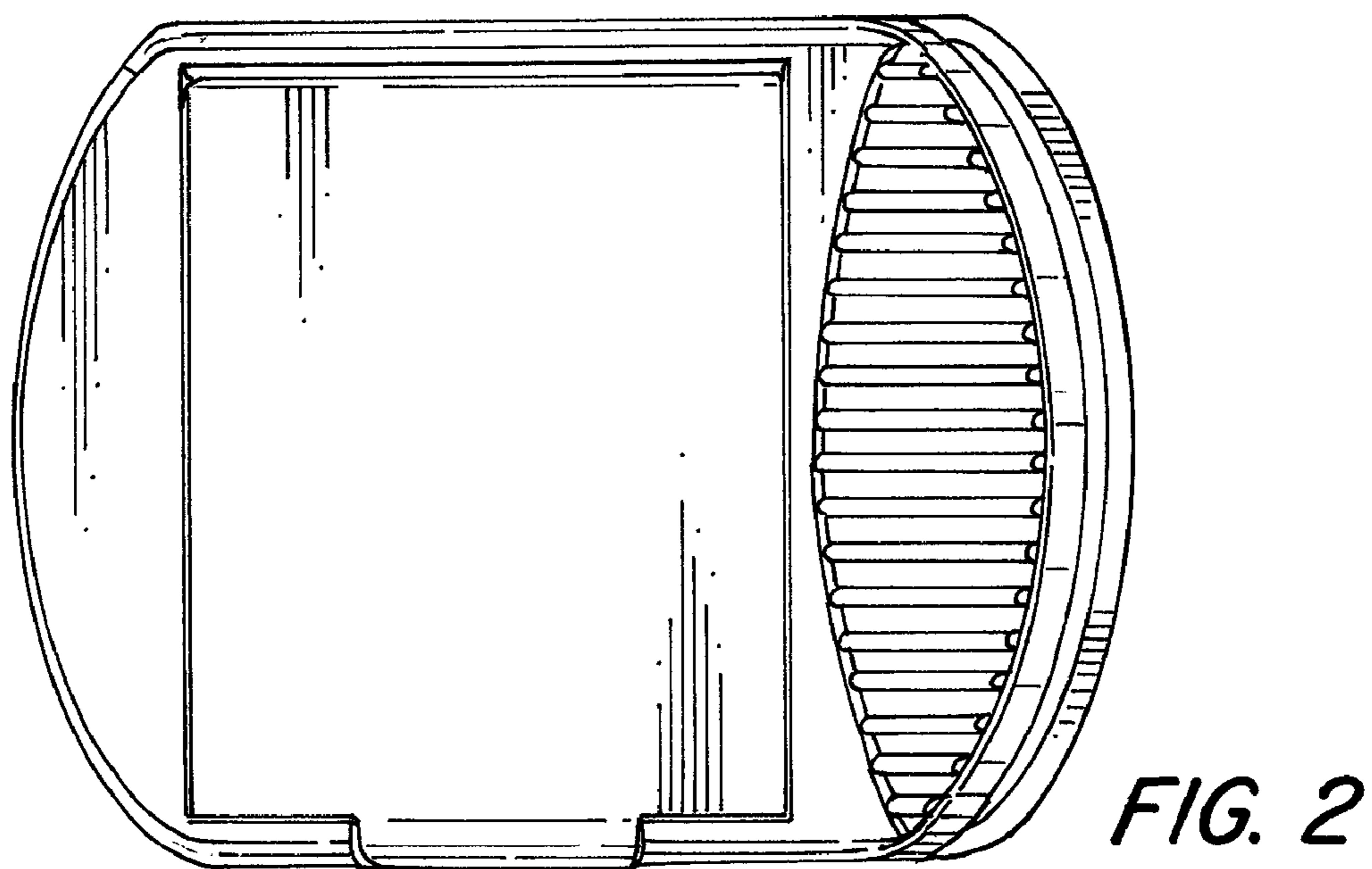
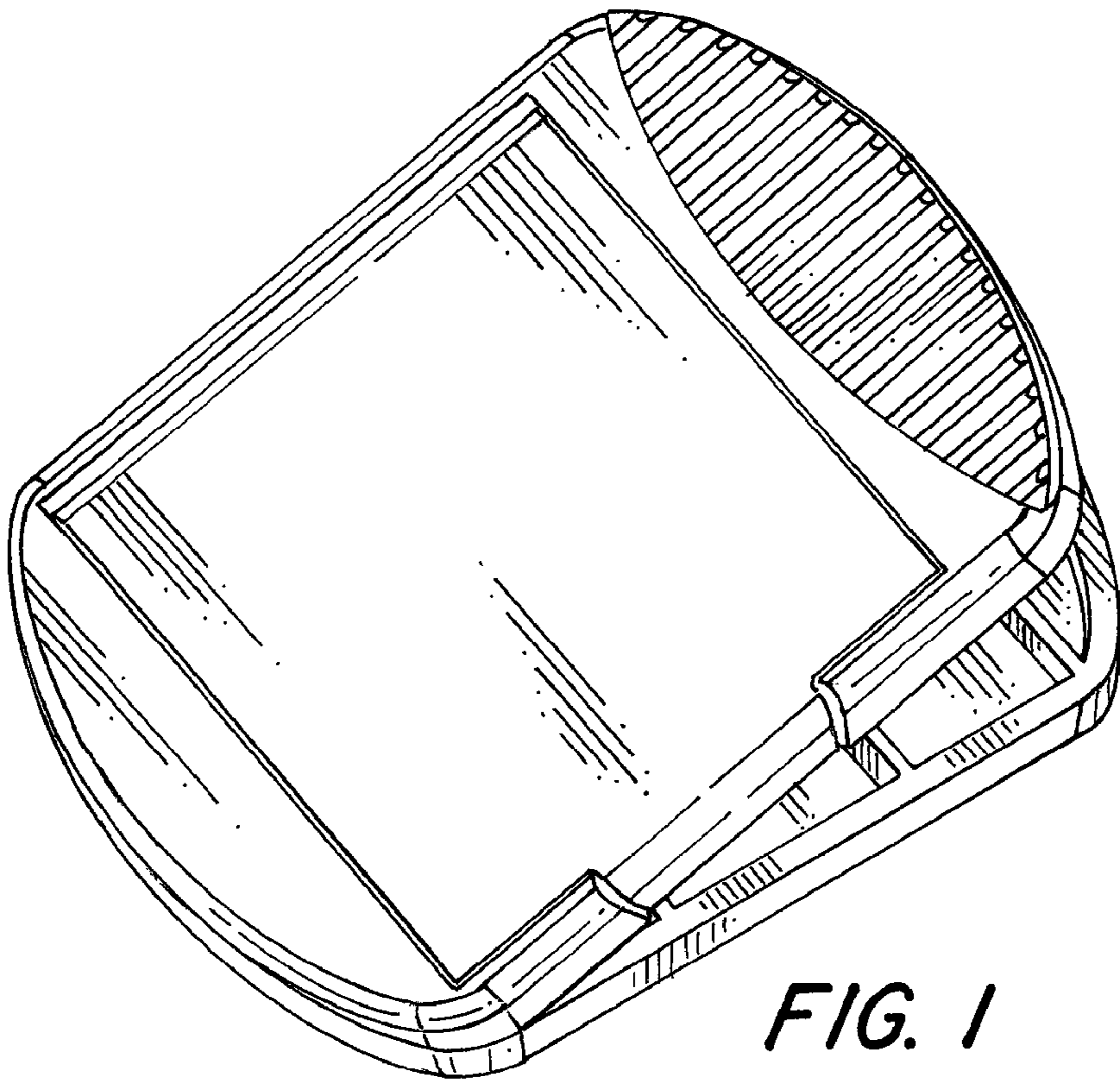
FIG. 6 is a right side elevation view thereof;

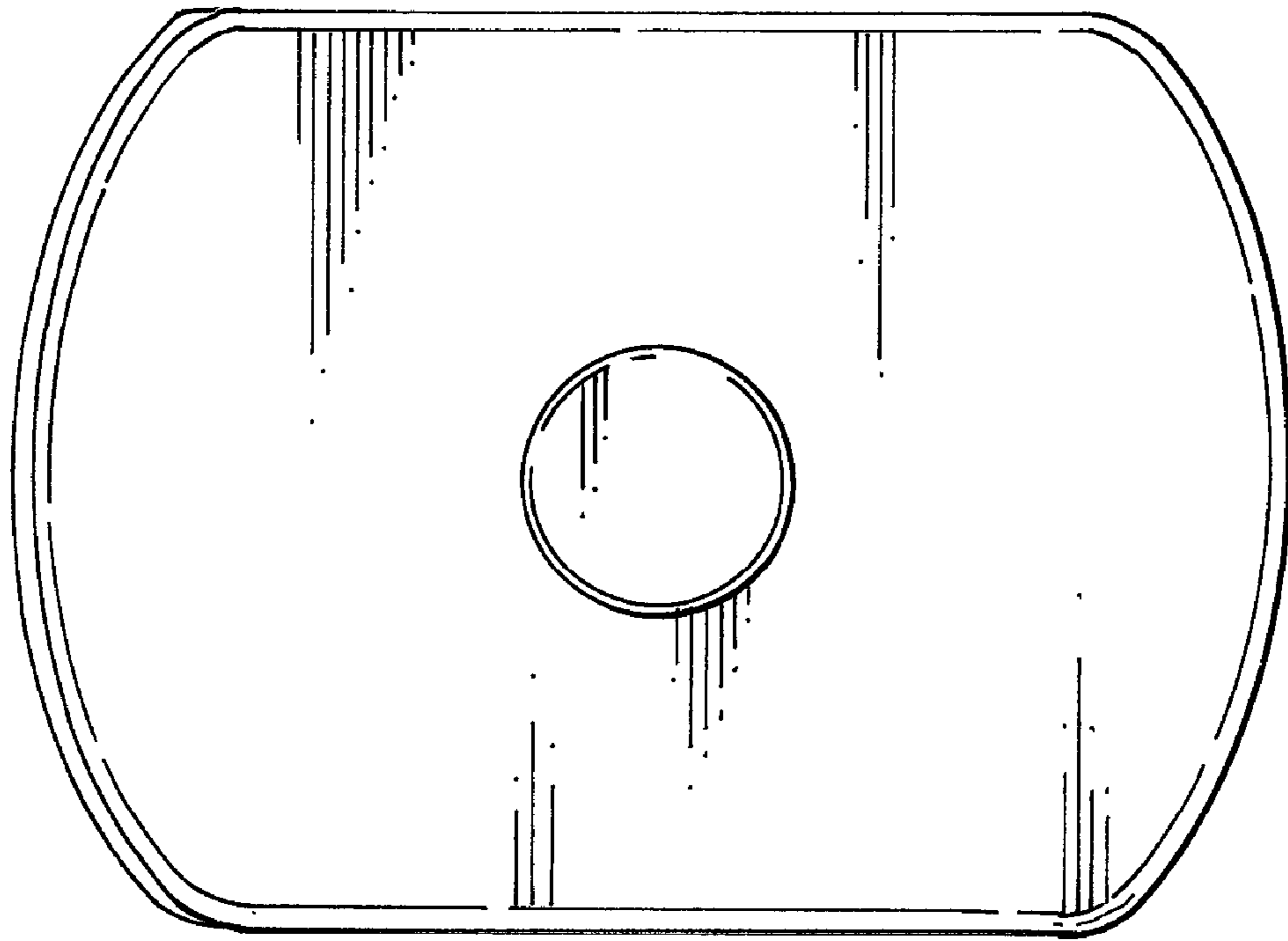
FIG. 7 is a left side elevation view thereof; and,

FIG. 8 top perspective view of the magnetic clip for sticky notes of FIG. 1, shown in open position.

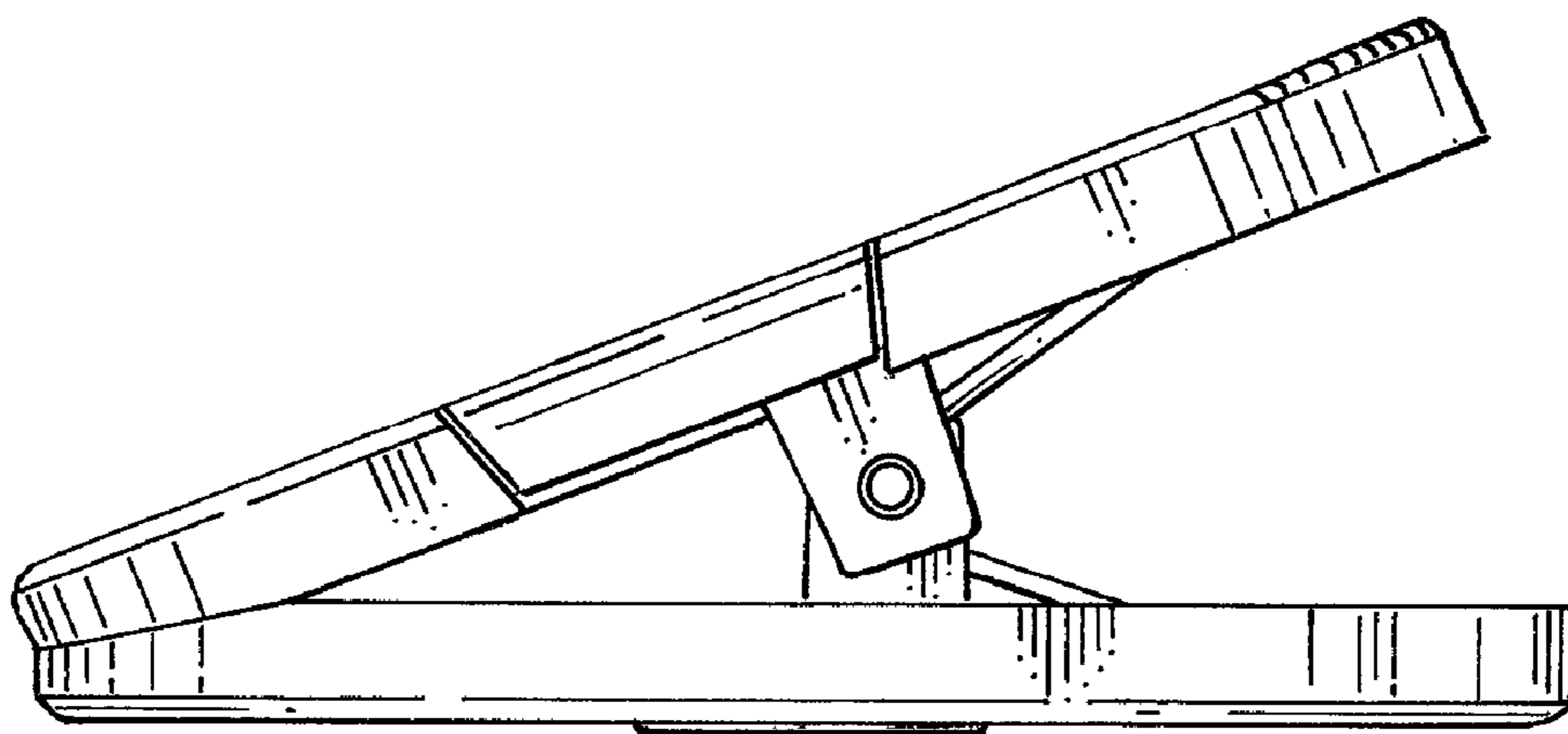
**1 Claim, 5 Drawing Sheets**



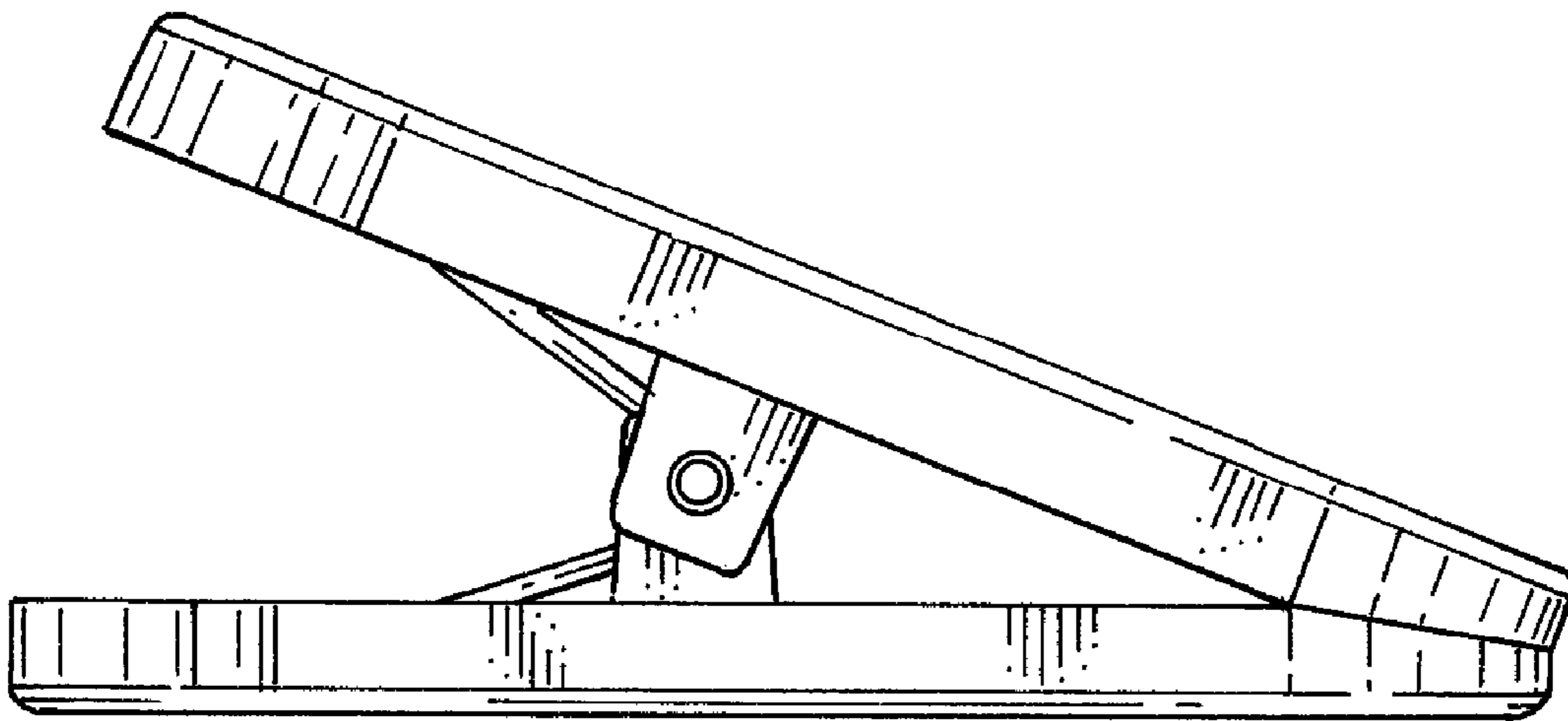




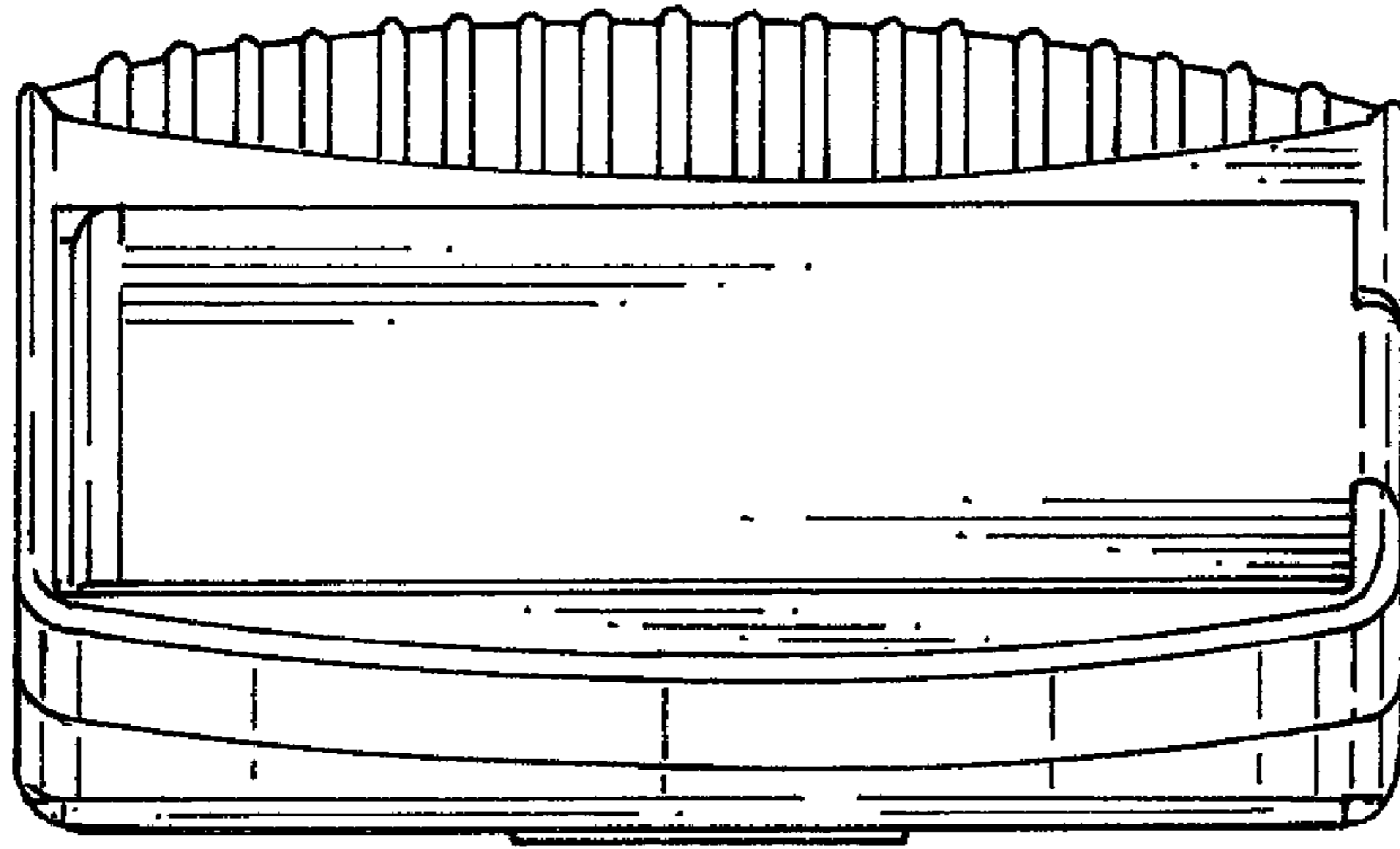
*FIG. 3*



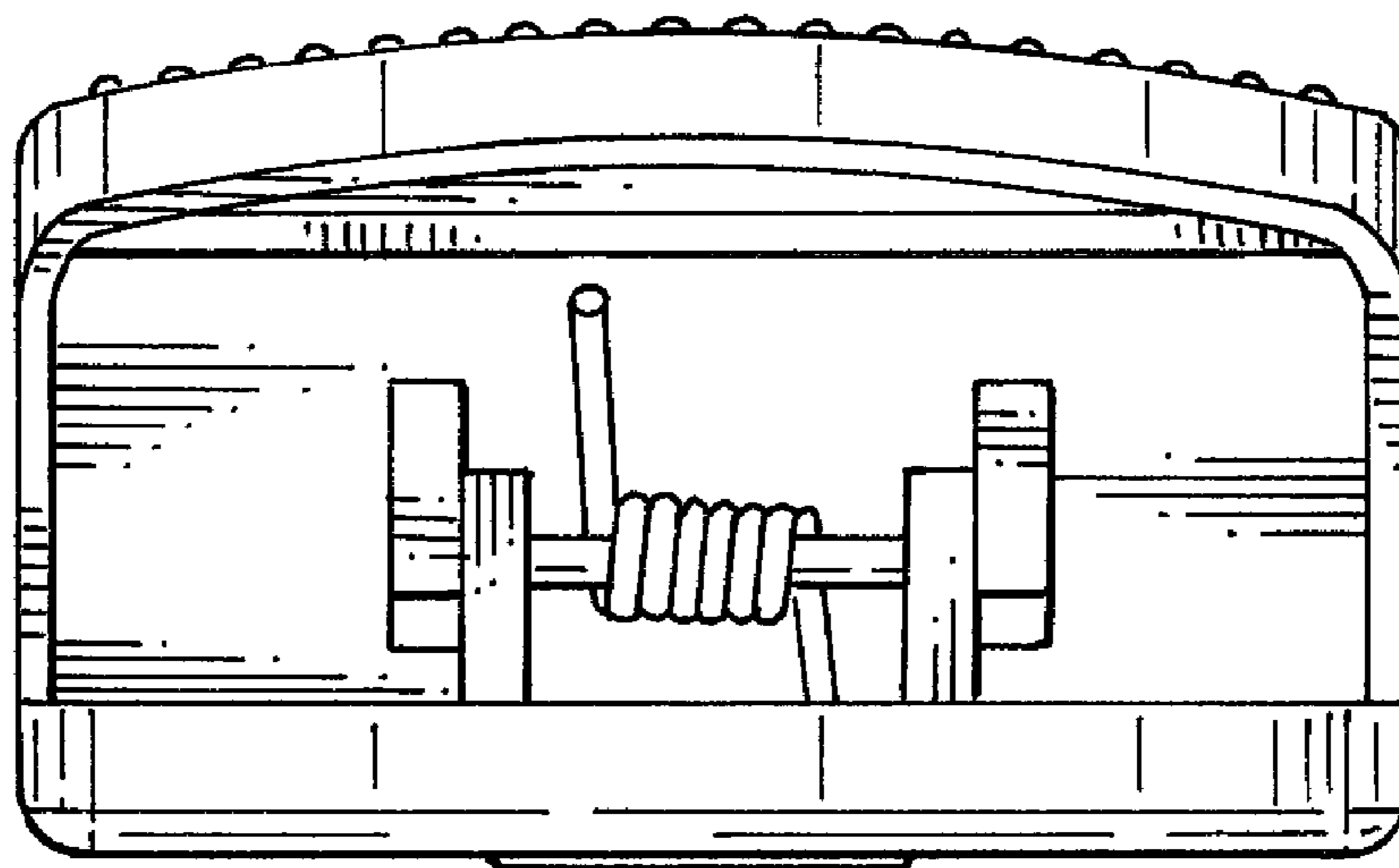
*FIG. 4*



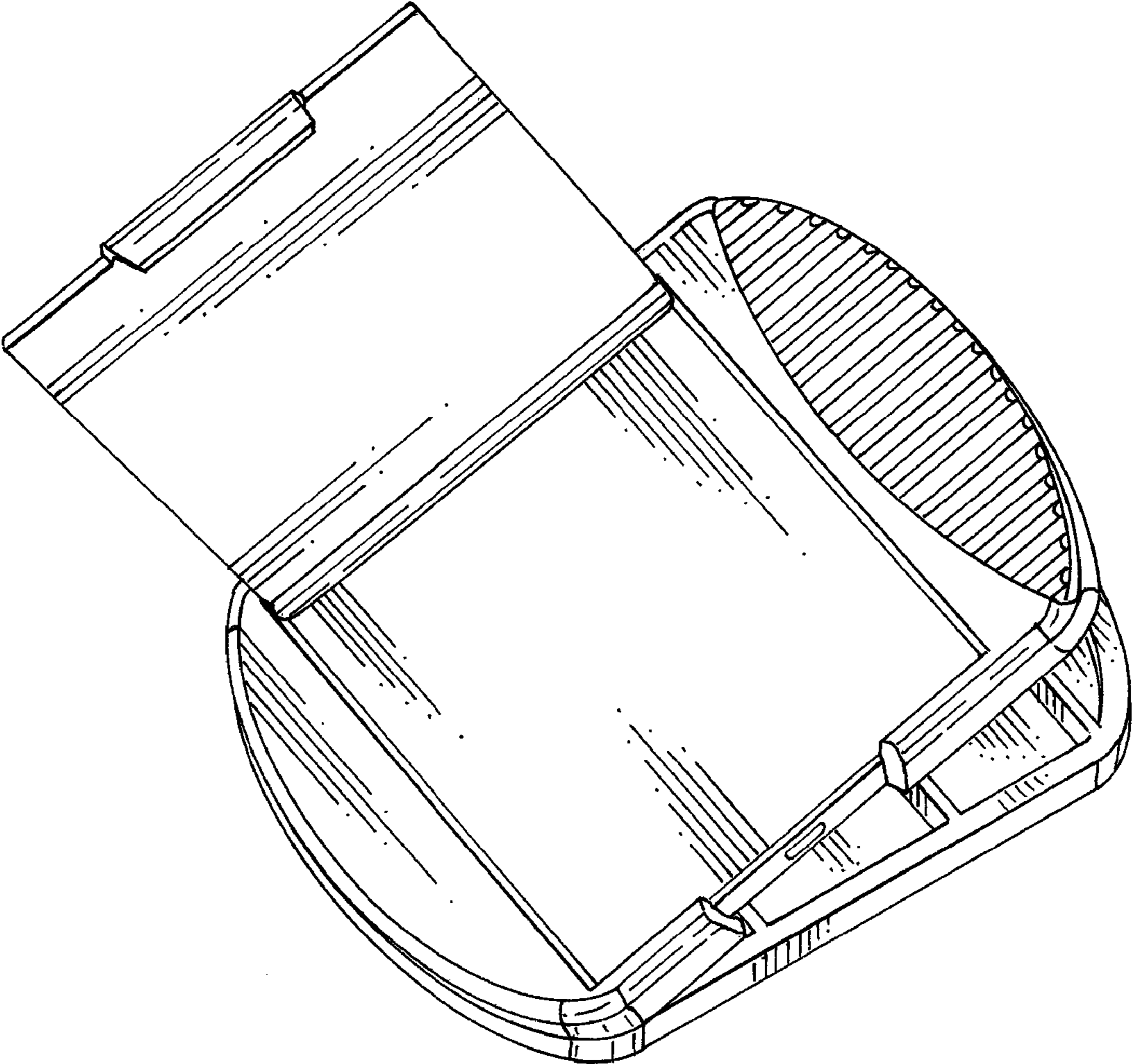
*FIG. 5*



*FIG. 6*



*FIG. 7*



*FIG. 8*