



US00D631507S

(12) **United States Design Patent**
Harrell

(10) **Patent No.:** **US D631,507 S**
(45) **Date of Patent:** **** Jan. 25, 2011**

(54) **DISPLAY FOLDER**

(57) **CLAIM**

(76) **Inventor:** **Vernon Harrell**, 3538 Ireland Dr., Hope Mills, NC (US) 28348

The ornamental design for a display folder, as shown and described.

(**) **Term:** **14 Years**

DESCRIPTION

(21) **Appl. No.:** **29/346,248**

FIG. 1 is an outside top, front, right side perspective view of a first embodiment of a display folder in an open position with a large display sheet in broken lines showing my new design; FIG. 2 is an inside perspective view thereof;

(22) **Filed:** **Oct. 29, 2009**

(51) **LOC (9) Cl.** **19-04**

FIG. 3 is an outside top, front, right side perspective view of a display folder in an open position with a small display sheet in broken lines;

(52) **U.S. Cl.** **D19/26**

(58) **Field of Classification Search** D19/3,
D19/20, 26-33, 52, 75, 78, 84, 86, 88, 95;
383/4, 10; 428/40.1; 229/67.1, 67.3, 67.4,
229/68.1, 70-72, 75, 116.1; 206/308.3, 312,
206/320, 457, 562

FIG. 4 is a front elevational view thereof;

FIG. 5 is a rear elevational view thereof;

See application file for complete search history.

FIG. 6 is a top plan view of the display folder in a closed position, the bottom plan view being a mirror image thereof;

FIG. 7 is a left side elevational view thereof;

(56) **References Cited**

U.S. PATENT DOCUMENTS

- 1,058,830 A * 4/1913 Witkowski 229/87.5
- 3,001,690 A * 9/1961 Paterson 229/92.8
- 4,388,958 A * 6/1983 Dworkin 229/72
- 5,275,438 A * 1/1994 Struhl 281/31
- D351,619 S * 10/1994 Struhl D19/26
- 6,224,108 B1 * 5/2001 Klure 283/74
- 6,715,795 B2 * 4/2004 Klure 283/62
- 7,222,446 B2 * 5/2007 Foster 40/124.06
- 2009/0110863 A1 * 4/2009 Dangami 428/43

FIG. 8 is a right side elevational view thereof;

FIG. 9 is an outside top, front, right side perspective view of a second embodiment of a display folder in an open position;

FIG. 10 is a front elevational view thereof;

FIG. 11 is a rear elevational view thereof;

FIG. 12 is a top plan view thereof in a closed position, the bottom plan view being a mirror image thereof;

FIG. 13 is a left side elevational view thereof; and,

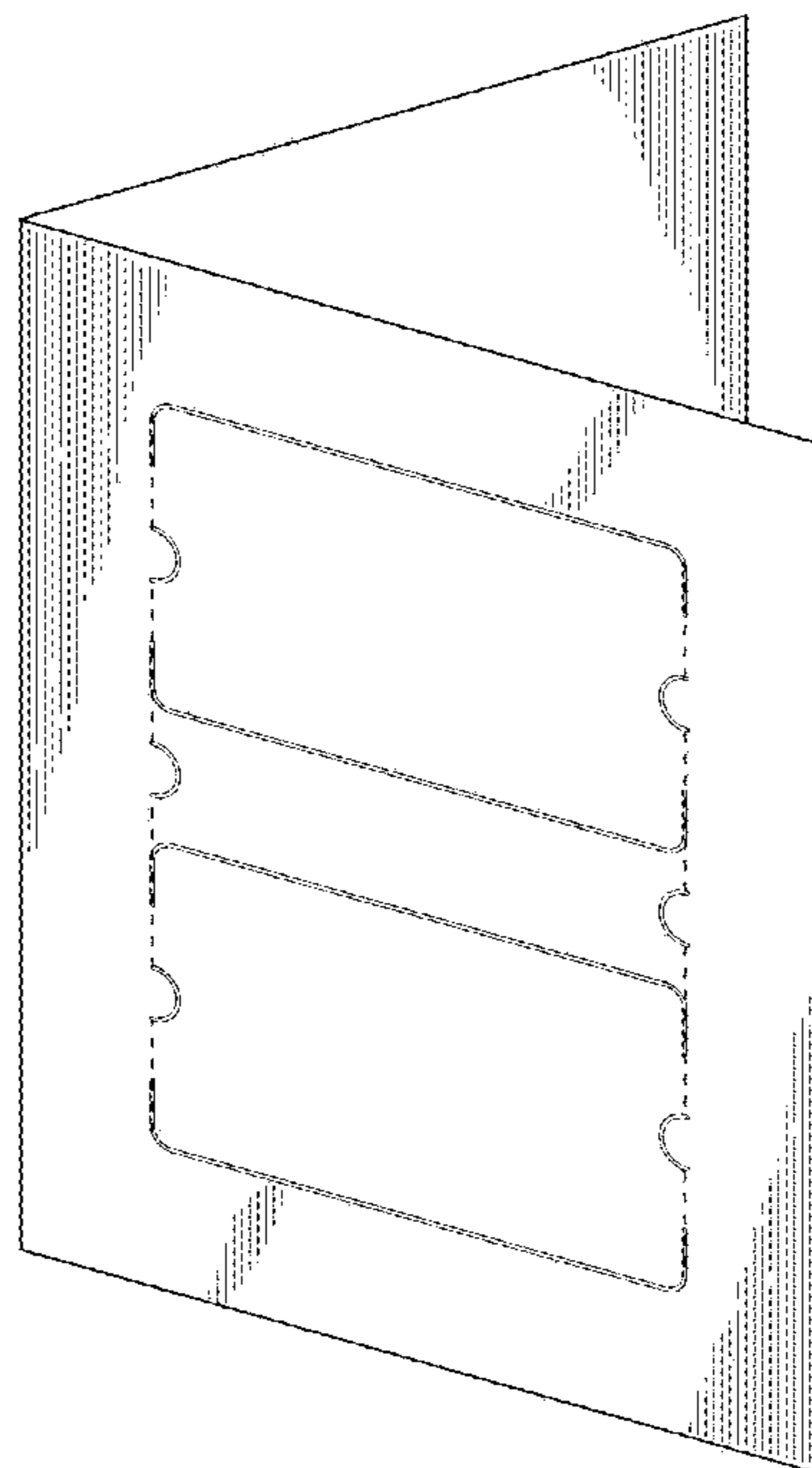
FIG. 14 is a right side elevational view thereof.

The display sheets shown in dashed lines are included in FIGS. 1, 2 and 3 for the purpose of illustrating environment and forms no part of the claimed design.

* cited by examiner

Primary Examiner—T. Chase Nelson
Assistant Examiner—Kathleen M Sims

1 Claim, 10 Drawing Sheets



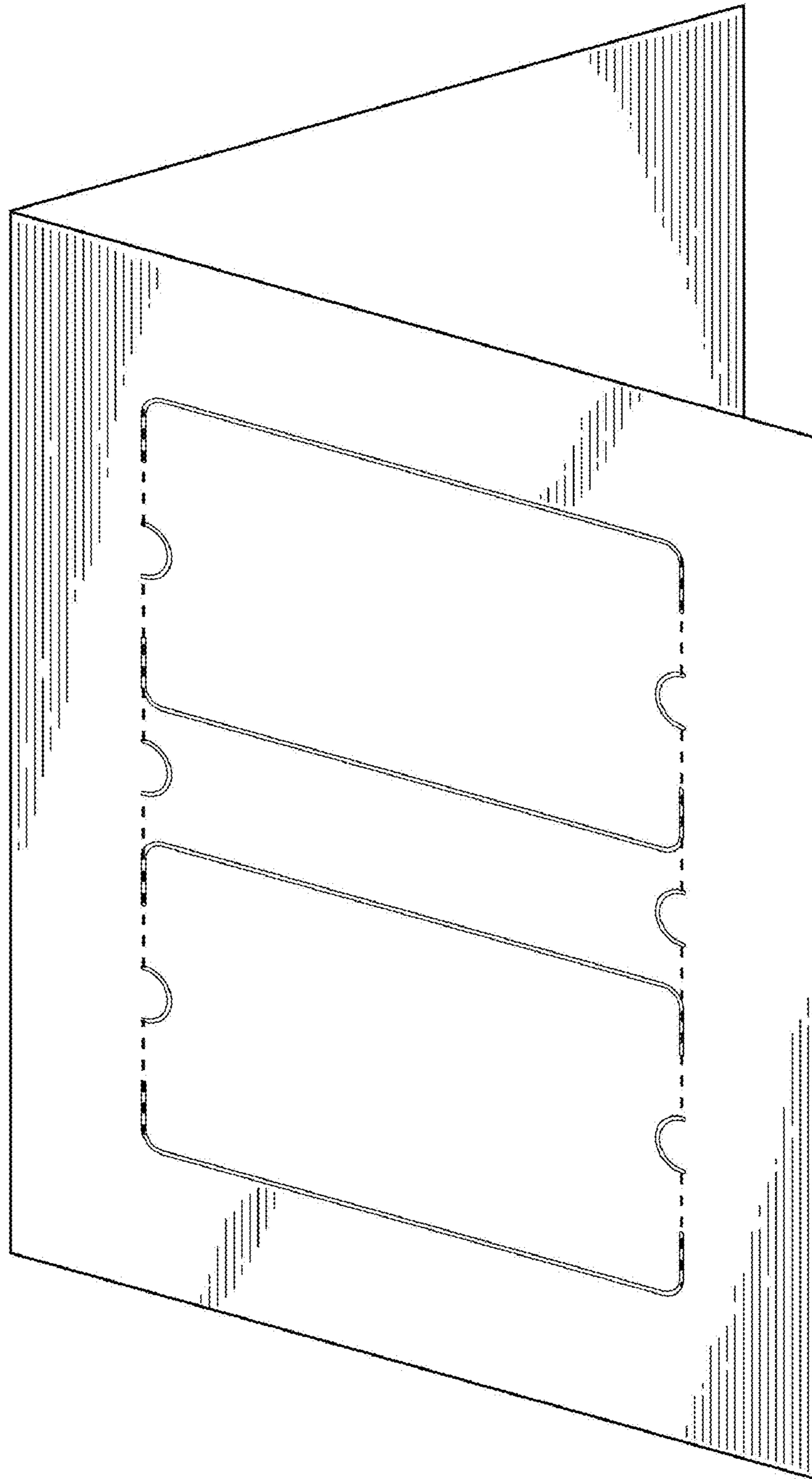


Fig. 1

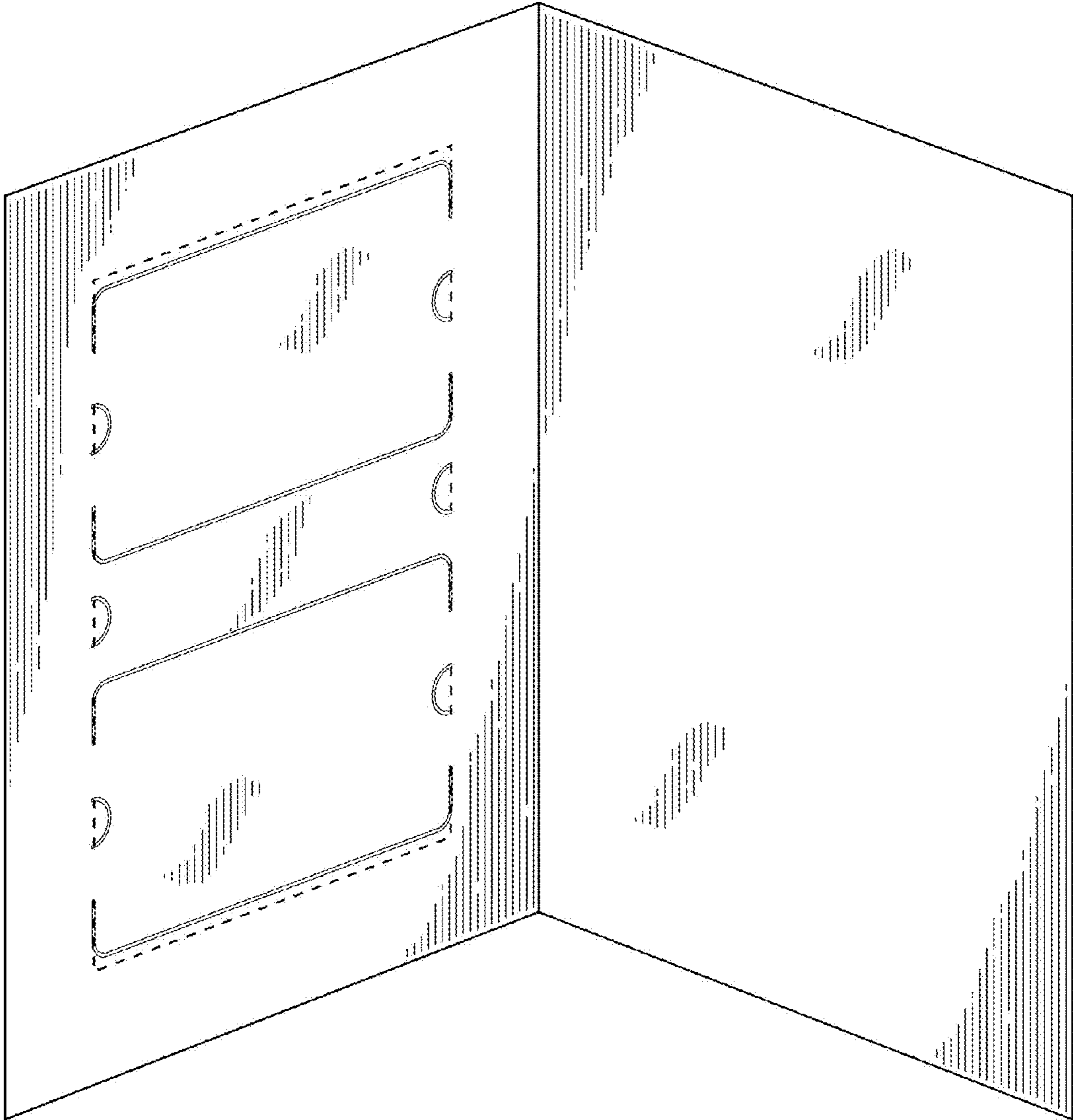


Fig. 2

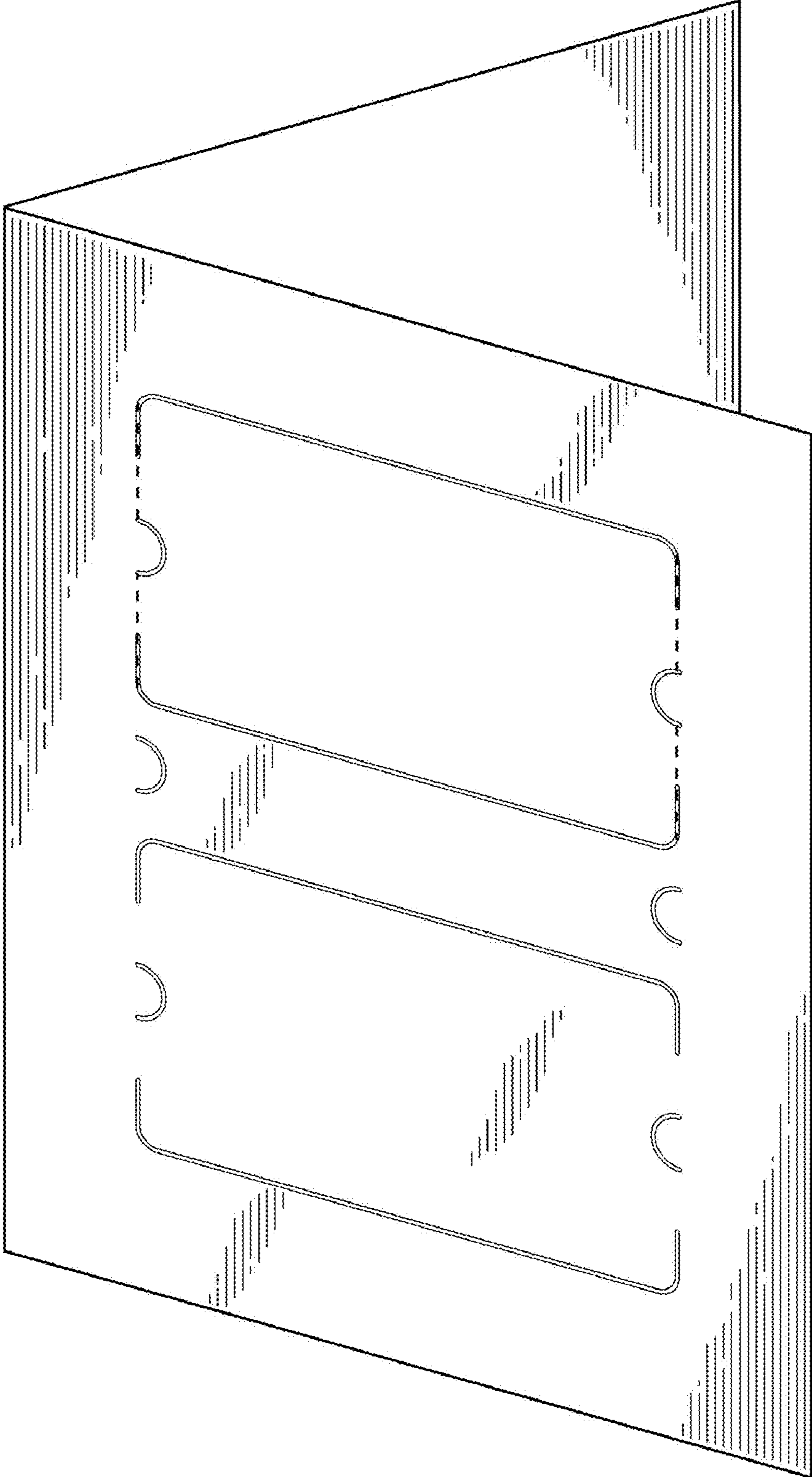


Fig. 3

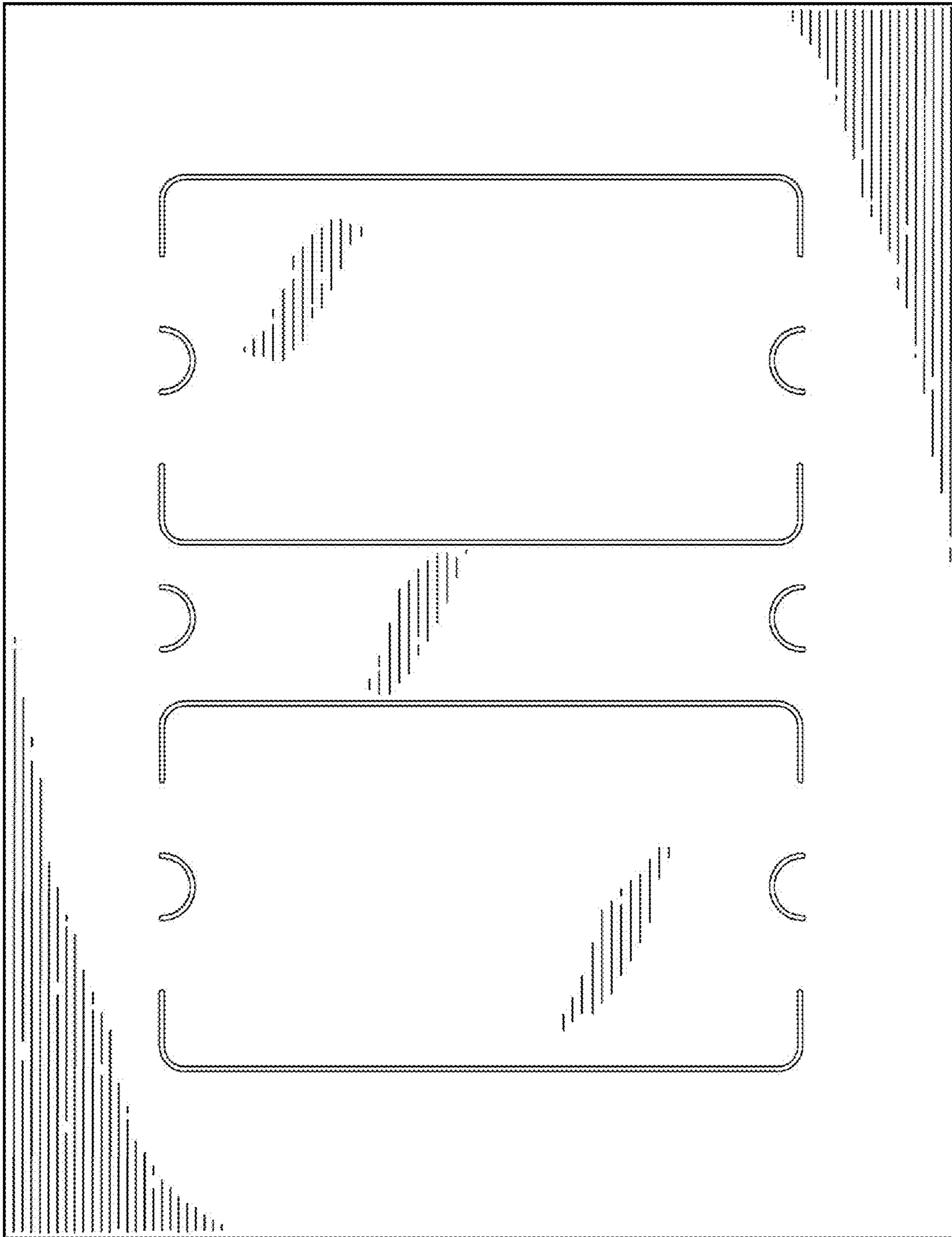


Fig. 4



Fig. 5



Fig. 6



Fig. 7



Fig. 8

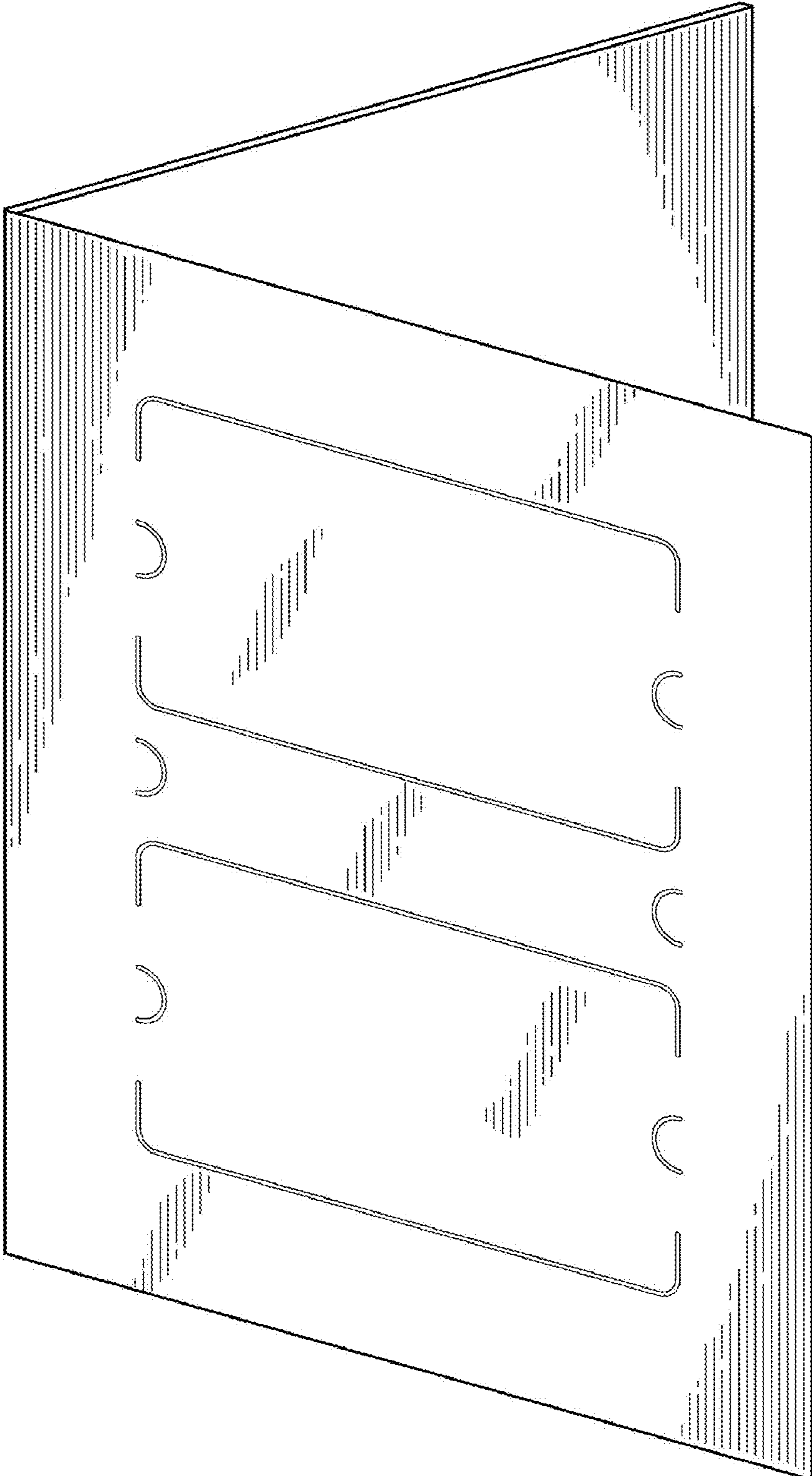


Fig. 9

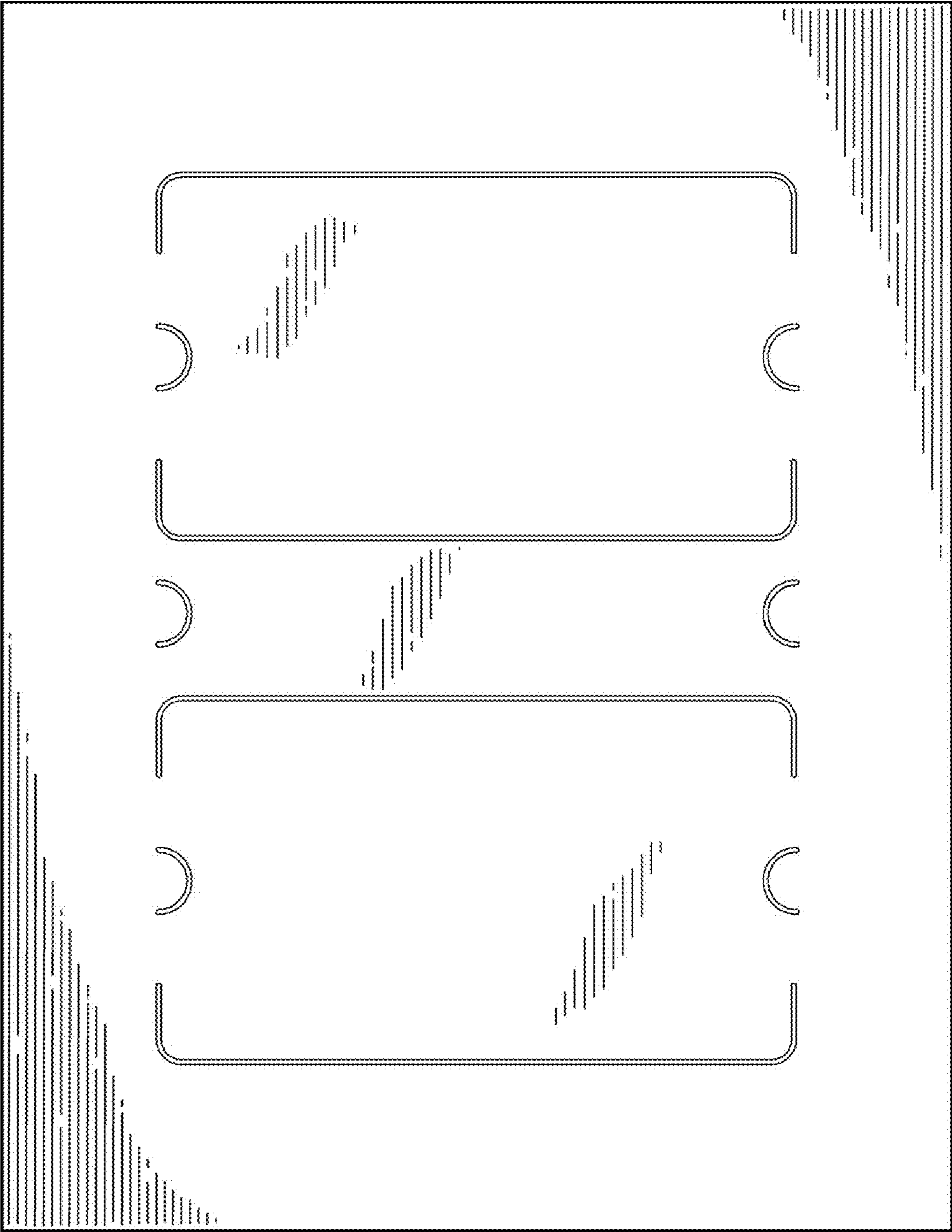


Fig. 10



Fig. 11

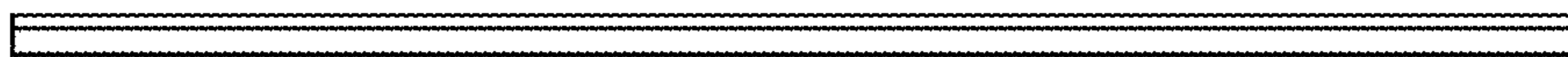


Fig. 12



Fig. 13



Fig. 14