

US00D631499S

(12) **United States Design Patent**
Meguro

(10) **Patent No.:** **US D631,499 S**
(45) **Date of Patent:** **** Jan. 25, 2011**

(54) **DIGITAL CAMERA**

(75) Inventor: **Chikayoshi Meguro**, Hachioji (JP)
(73) Assignee: **Olympus Imaging Corp.**, Tokyo (JP)
(**) Term: **14 Years**
(21) Appl. No.: **29/355,221**
(22) Filed: **Feb. 4, 2010**

(30) **Foreign Application Priority Data**
Dec. 25, 2009 (JP) 2009-030317

(51) **LOC (9) Cl.** **16-05**
(52) **U.S. Cl.** **D16/219**
(58) **Field of Classification Search** D16/200–204,
D16/208, 218, 219; 348/373–376; 358/909.1;
396/535–541
See application file for complete search history.

(56) **References Cited**

U.S. PATENT DOCUMENTS

D508,711 S	*	8/2005	Suzuki	D16/218
D524,348 S	*	7/2006	Nagayama et al.	D16/219
D543,227 S	*	5/2007	Hayashi	D16/219
D550,746 S	*	9/2007	Inaba	D16/219
D556,230 S	*	11/2007	Hanafusa et al.	D16/202
D557,311 S	*	12/2007	Hanafusa et al.	D16/219
D582,461 S	*	12/2008	Hayashi	D16/219
D582,956 S	*	12/2008	Imai	D16/219

OTHER PUBLICATIONS

Japanese Office Action dated Sep. 7, 2010 and English translation thereof in counterpart Japanese Application No. 2009-030317.
Cited Document: HJ2004492200 (<http://www.polaroid.co.jp/aboutpola/press/08110702.html>).

* cited by examiner

Primary Examiner—Adir Aronovich

(74) *Attorney, Agent, or Firm*—Holtz, Holtz, Goodman & Chick, PC

(57) **CLAIM**

The ornamental design for a digital camera, as shown and described.

DESCRIPTION

FIG. 1 is a front, top and right side perspective view of a digital camera showing my new design;
FIG. 2 is front elevational view thereof;
FIG. 3 is rear elevational view thereof;
FIG. 4 is a top plan view thereof;
FIG. 5 is a bottom plan view thereof;
FIG. 6 is right side elevational view thereof; and,
FIG. 7 is left side elevational view thereof.

The portions of the digital camera in broken lines are shown for illustrative purposes only and form no part of the claimed design.

1 Claim, 4 Drawing Sheets

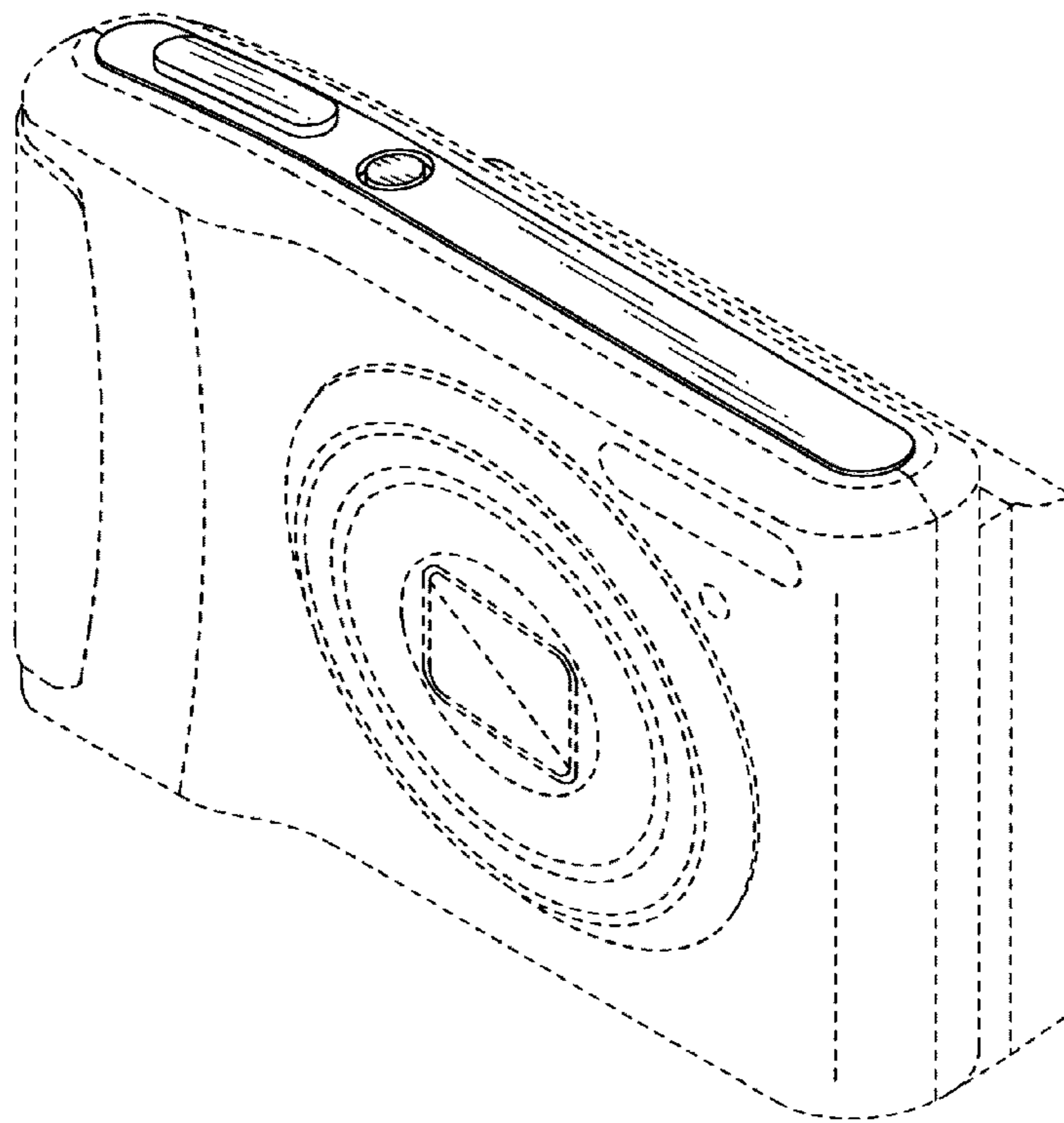


FIG.1

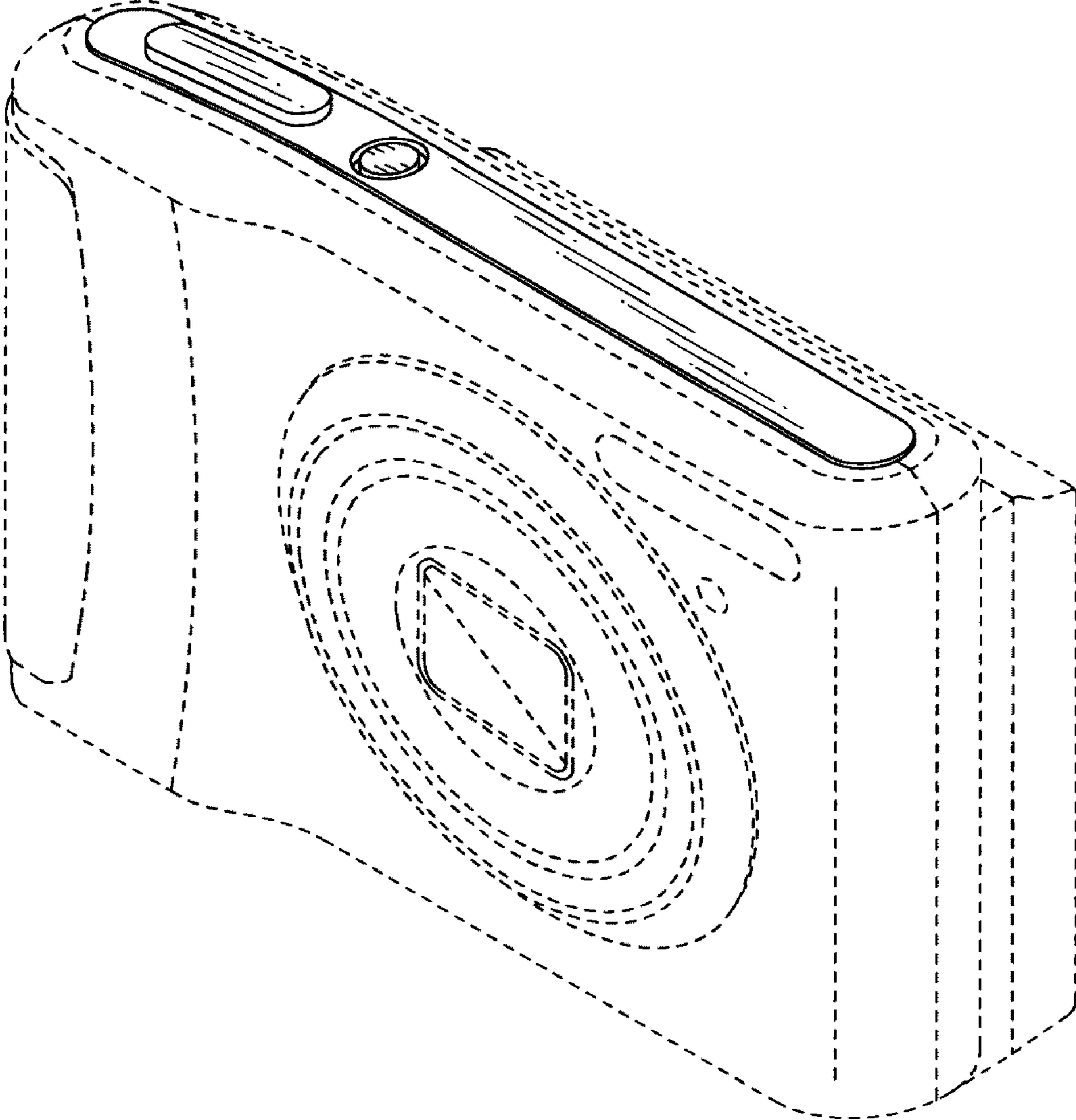


FIG.2

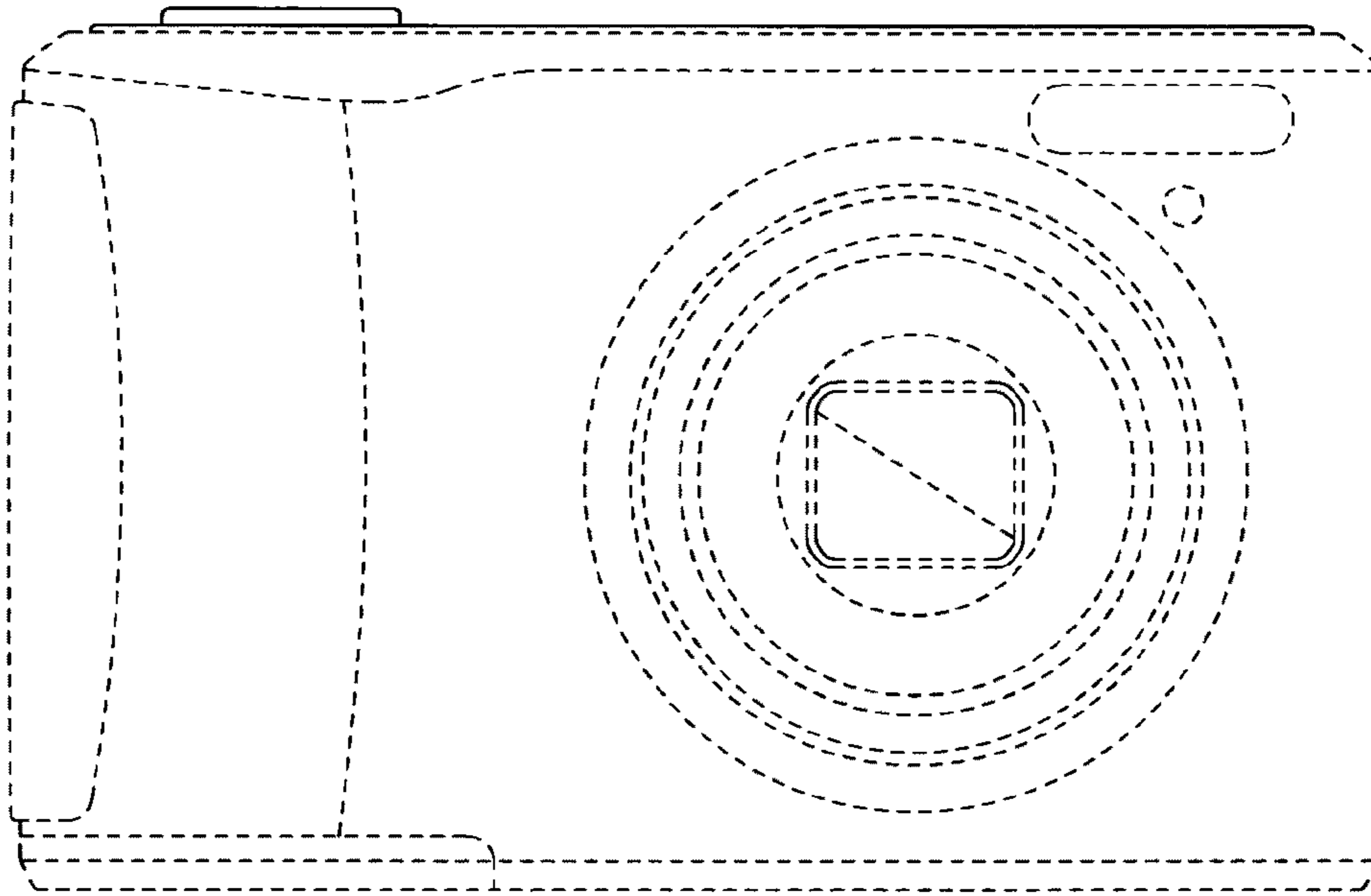


FIG.3

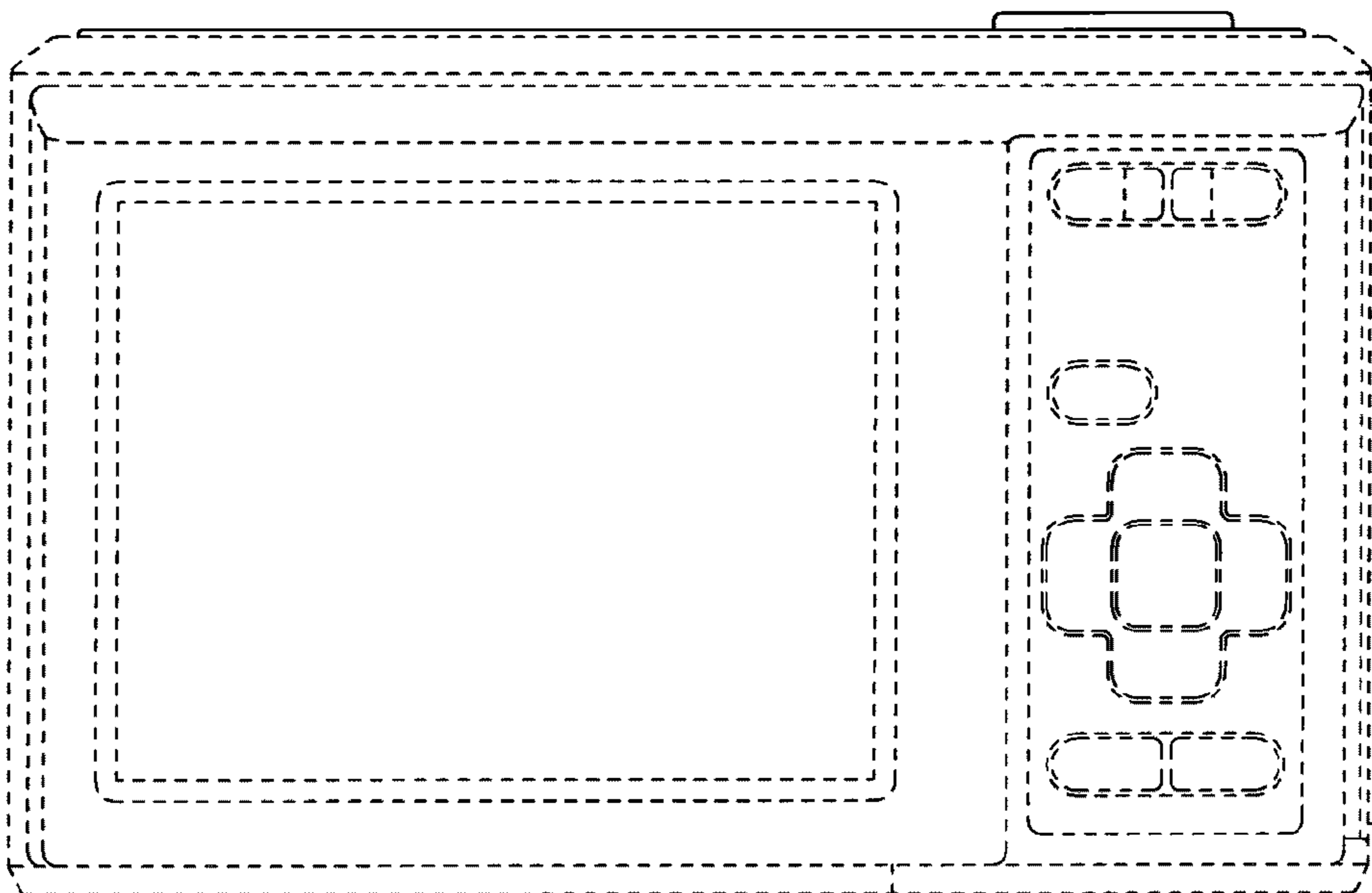


FIG.4

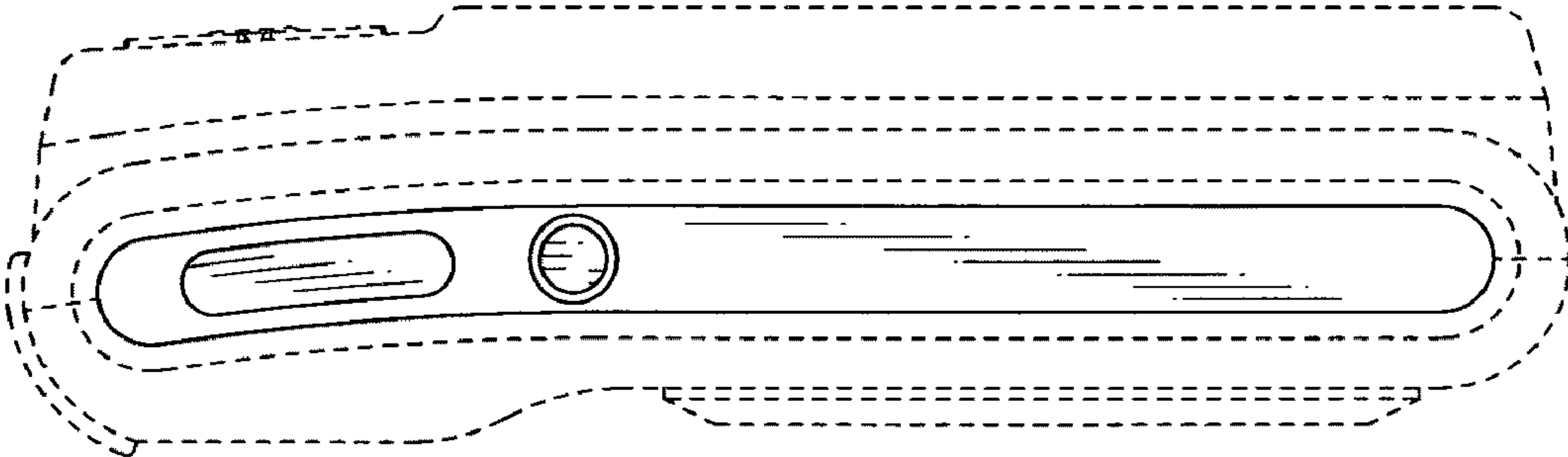


FIG.5

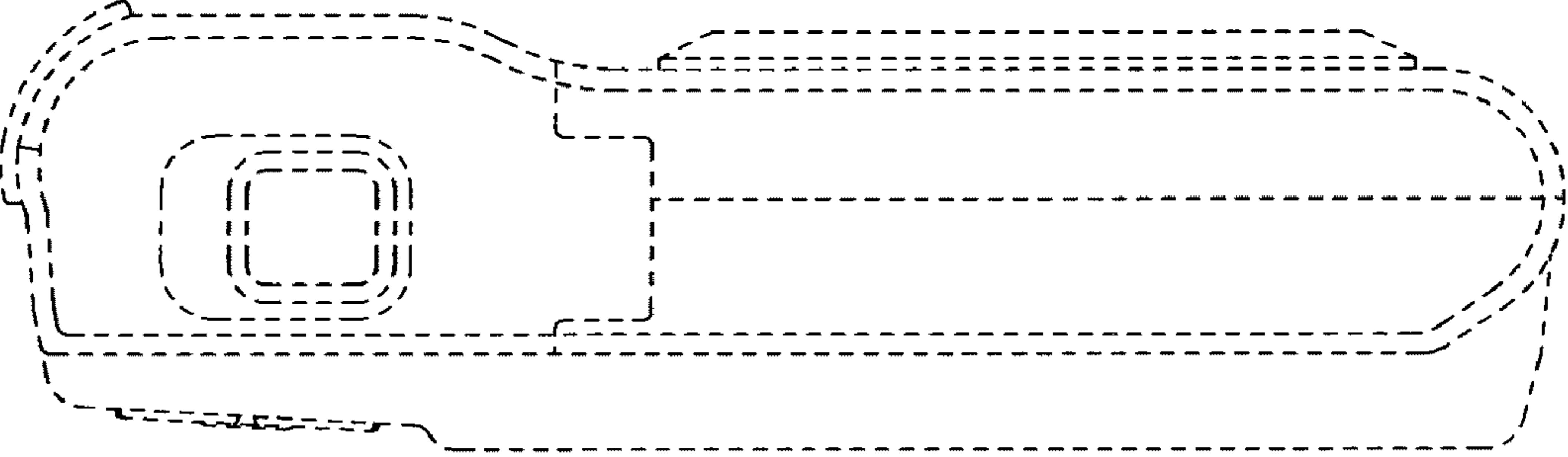


FIG.6

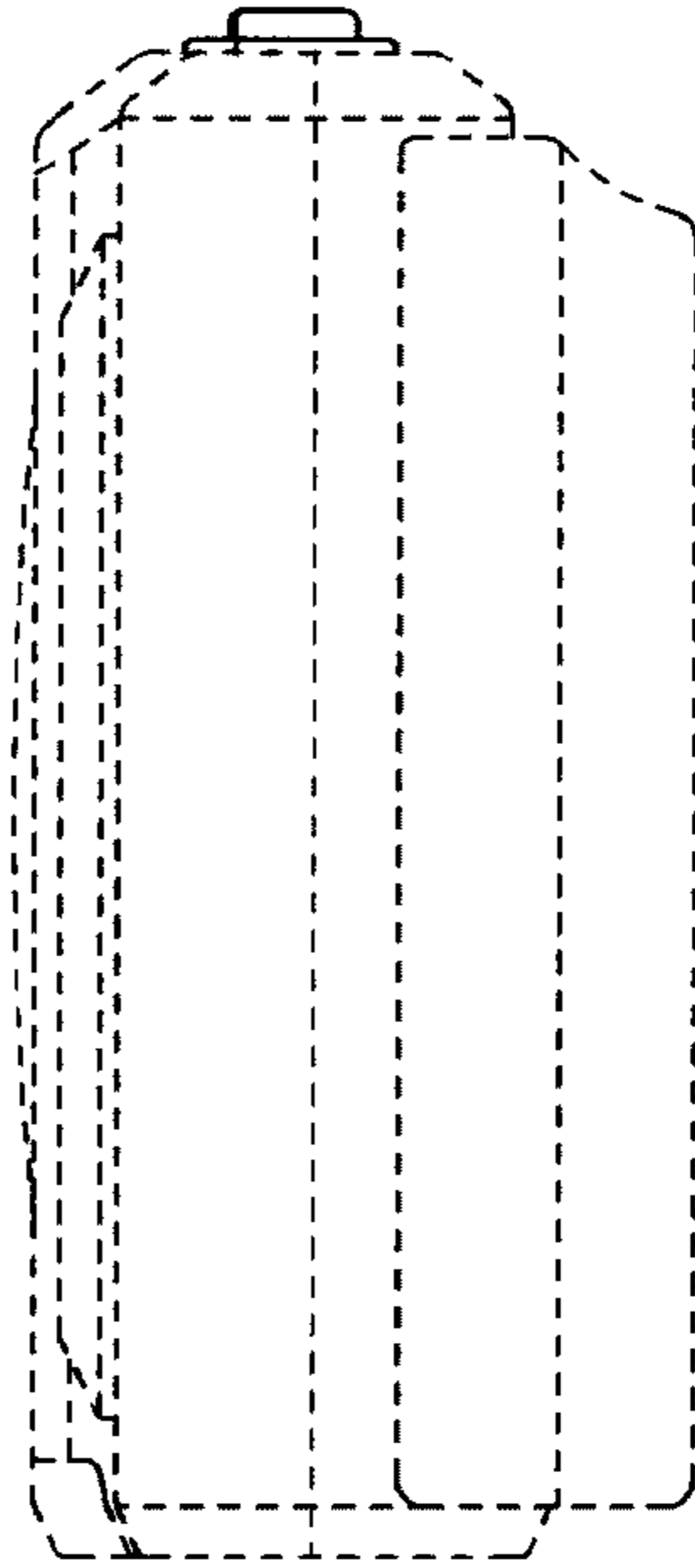


FIG.7

