



US00D631497S

(12) **United States Design Patent**
Han et al.

(10) **Patent No.:** **US D631,497 S**
(45) **Date of Patent:** **** Jan. 25, 2011**

(54) **CAMERA**

(75) Inventors: **Zheng Guang Han**, Singapore (SG);
Nicholas Stephen Marchand, Singapore
(SG); **Rudy Kurniawan Tedja**,
Singapore (SG)

(73) Assignee: **Creative Technology Ltd**, Singapore
(SG)

(**) Term: **14 Years**

(21) Appl. No.: **29/360,105**

(22) Filed: **Apr. 20, 2010**

(30) **Foreign Application Priority Data**

Oct. 26, 2009 (EM) 001627969-0001

(51) **LOC (9) Cl.** **16-01**

(52) **U.S. Cl.** **D16/202; D16/242**

(58) **Field of Classification Search** D16/200–205,
D16/208, 218, 242; 248/121, 187.1; 348/373–376;
396/535–541

See application file for complete search history.

(56) **References Cited**

U.S. PATENT DOCUMENTS

D449,638 S * 10/2001 Boyle et al. D16/242

D449,848 S * 10/2001 Lewis et al. D16/242
D527,755 S * 9/2006 Wu D16/202
D579,967 S * 11/2008 Jones et al. D16/202
7,677,815 B2 * 3/2010 Lane et al. 348/373
2009/0237490 A1 * 9/2009 Nelson, Jr. 348/43

* cited by examiner

Primary Examiner—Adir Aronovich

(57) **CLAIM**

The ornamental design for a camera, substantially as shown and described.

DESCRIPTION

FIG. 1 is a front and top perspective view of a camera in accordance with the present design;

FIG. 2 is a rear and top perspective view of the camera in accordance with the present design;

FIG. 3 is a top plan view thereof;

FIG. 4 is a bottom plan view thereof;

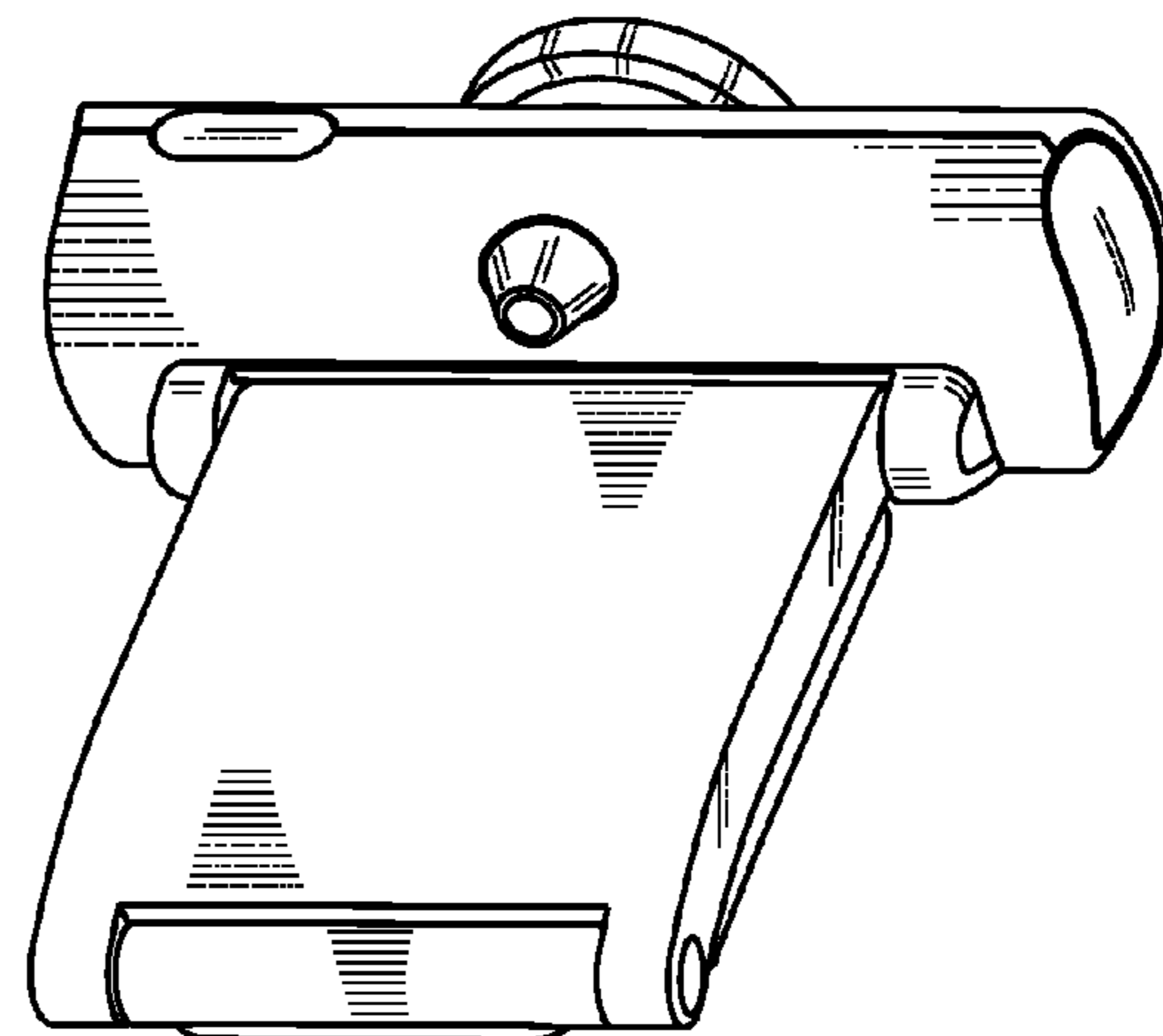
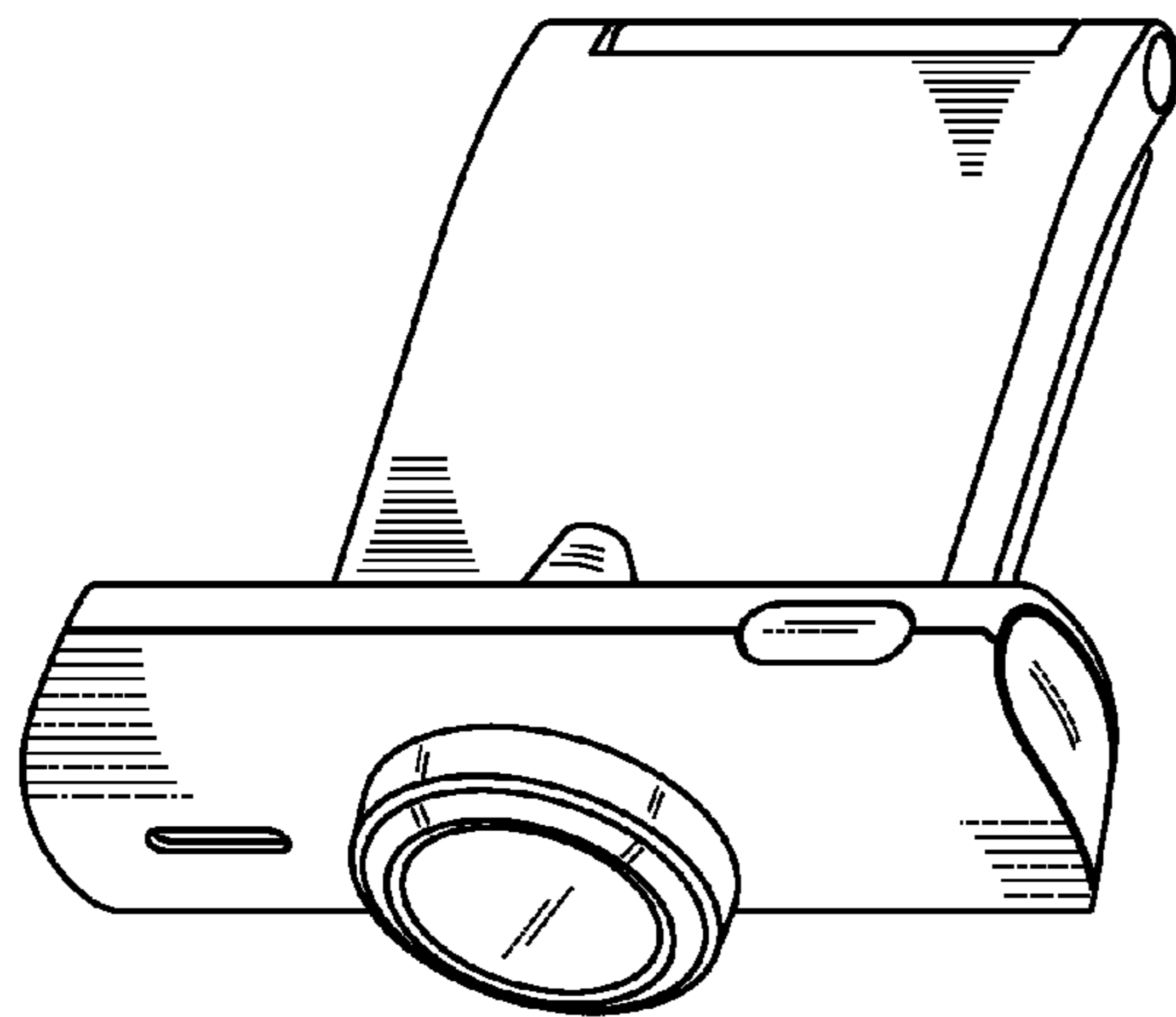
FIG. 5 is a left side elevational view thereof;

FIG. 6 is a right side elevational view thereof;

FIG. 7 is a rear elevational view thereof; and,

FIG. 8 is a front elevational view thereof.

1 Claim, 4 Drawing Sheets



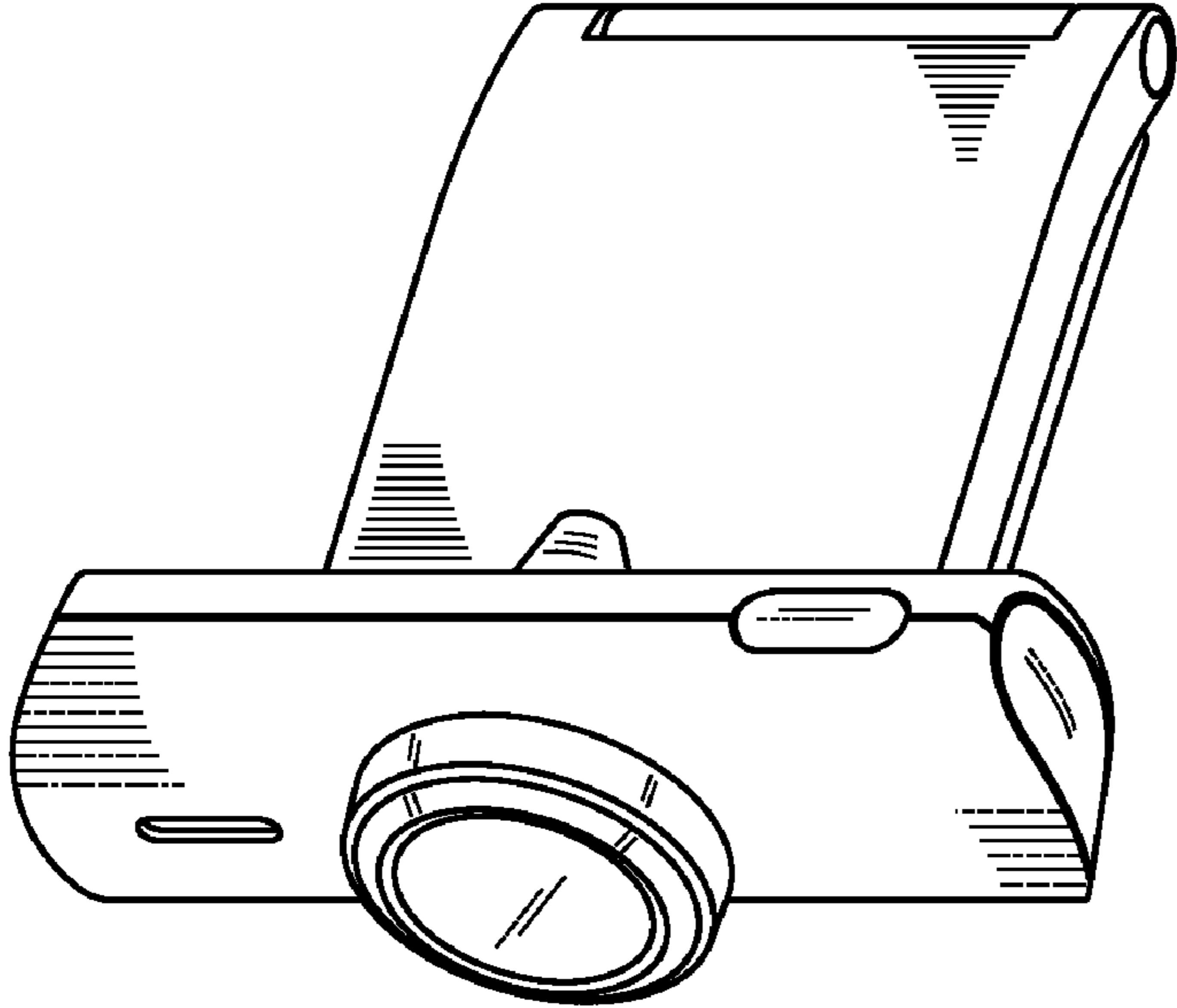


FIG. 1

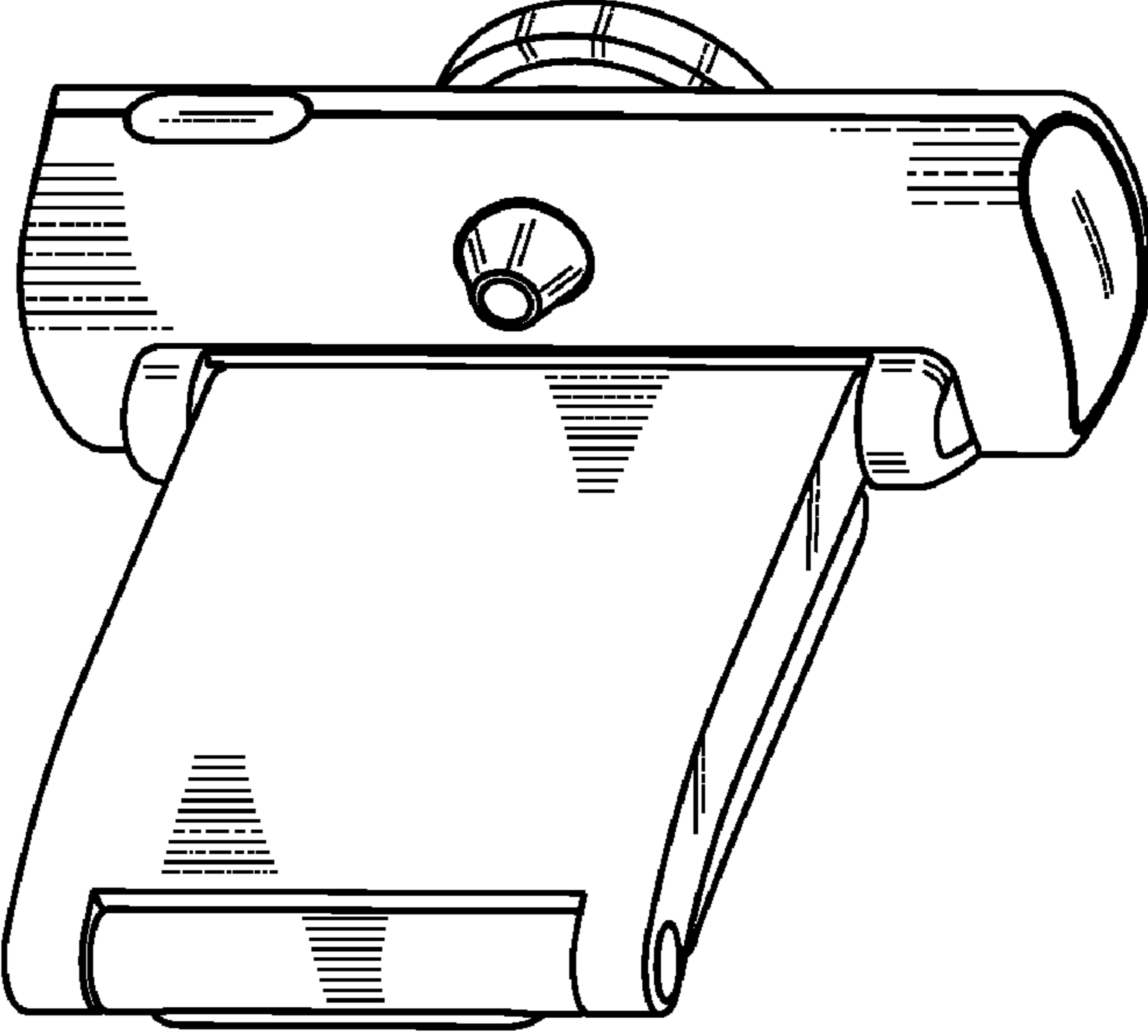


FIG. 2

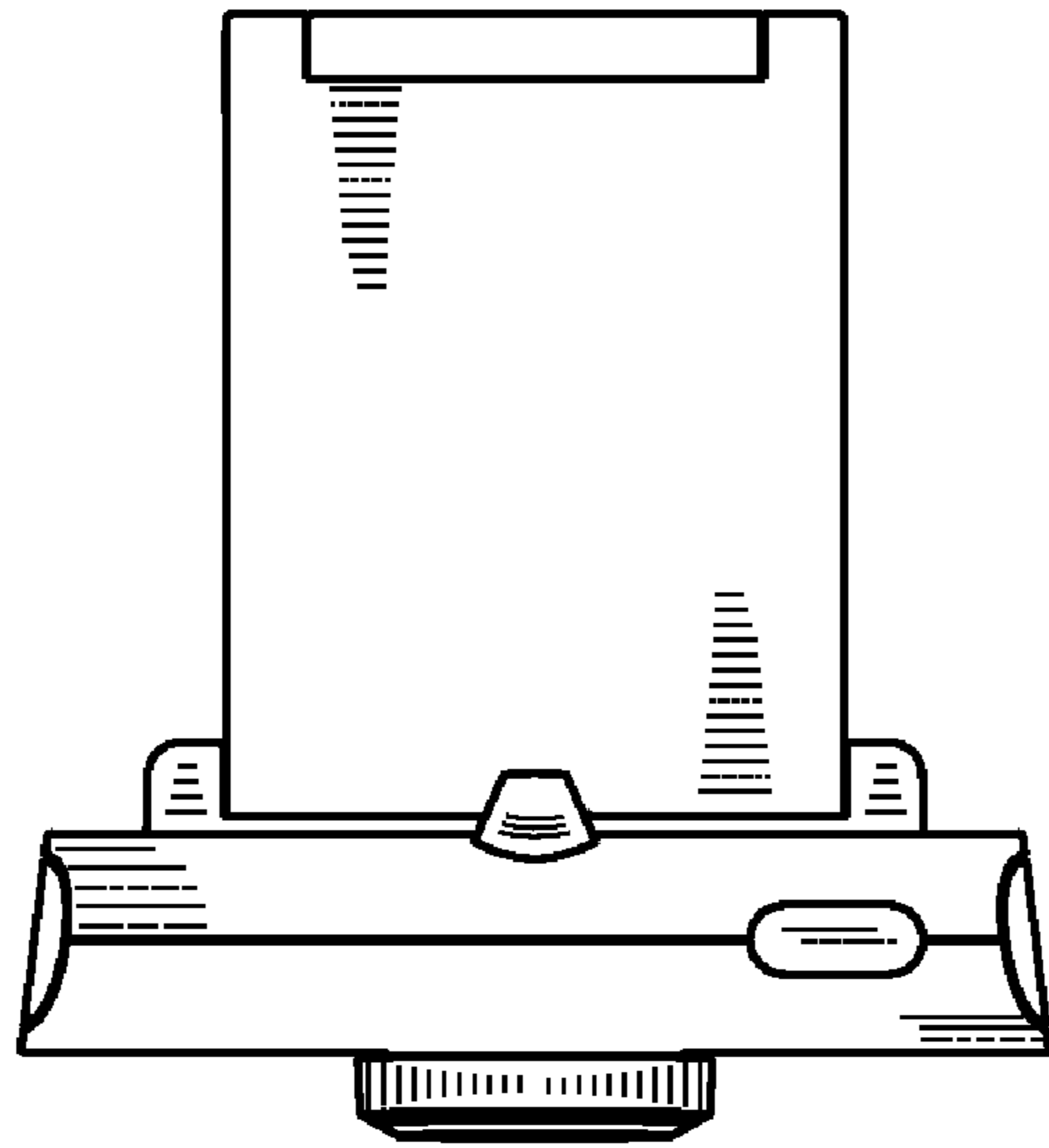


FIG. 3

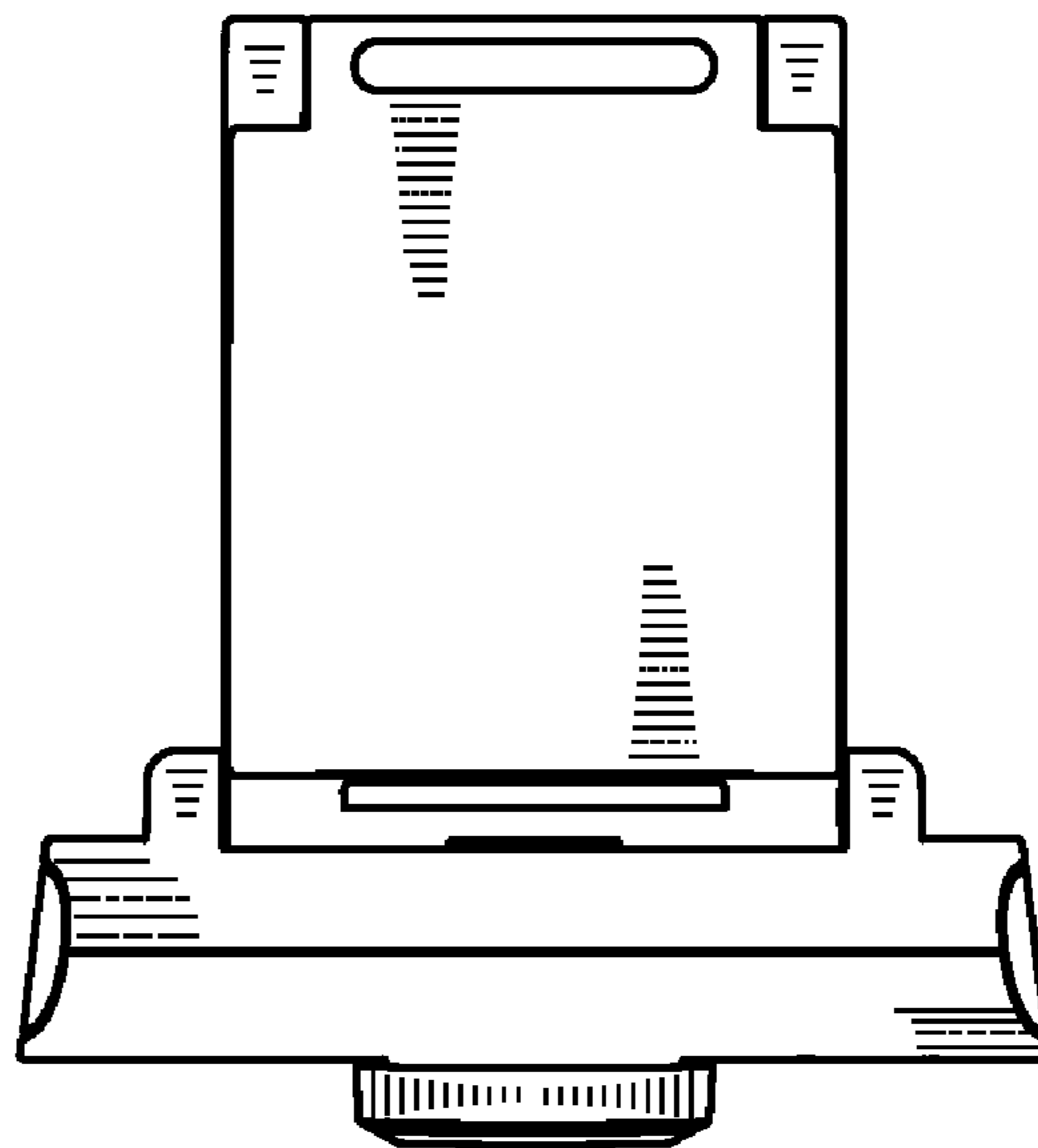


FIG. 4

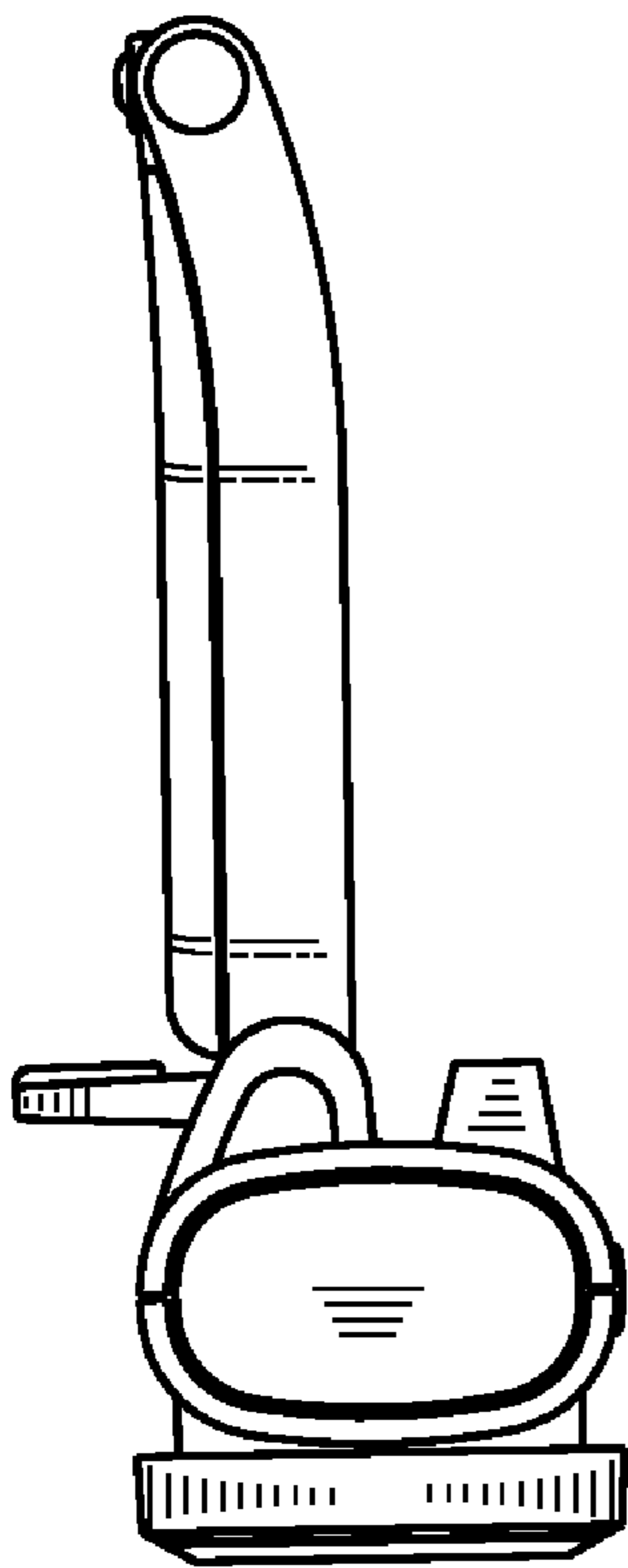


FIG. 5

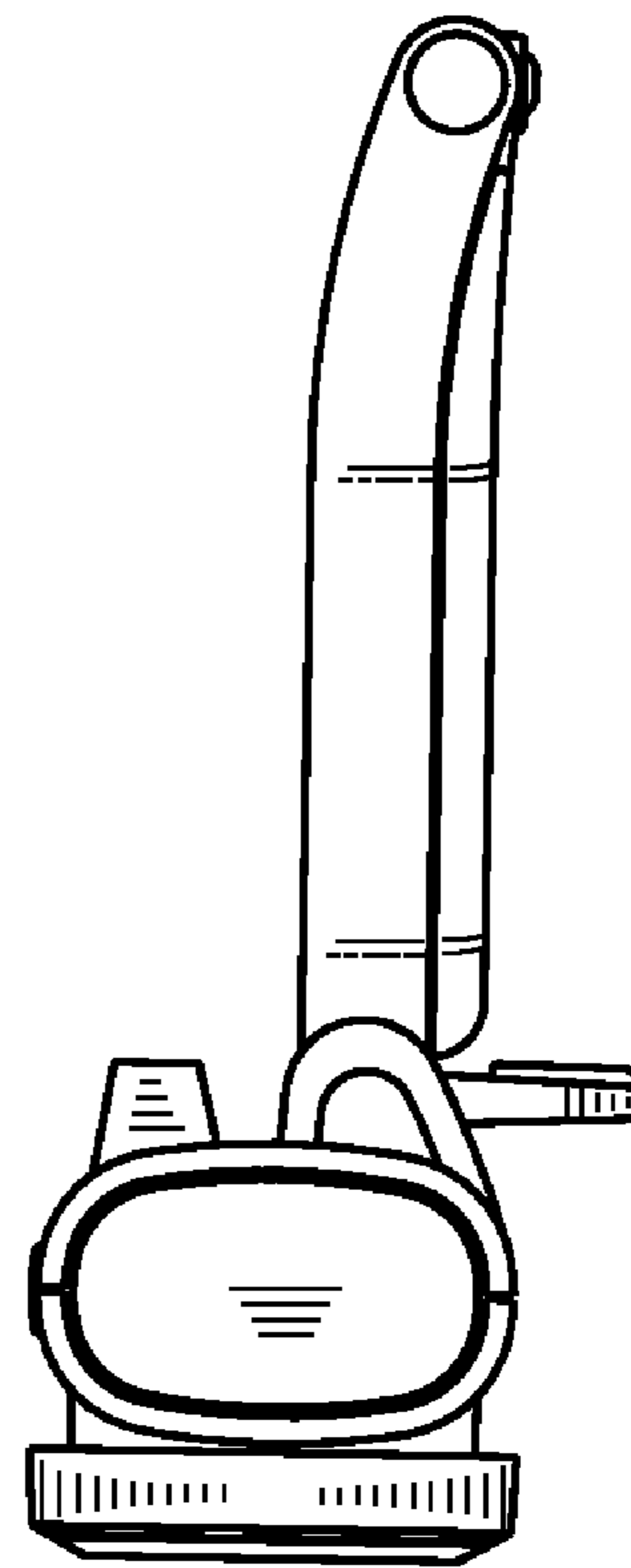


FIG. 6

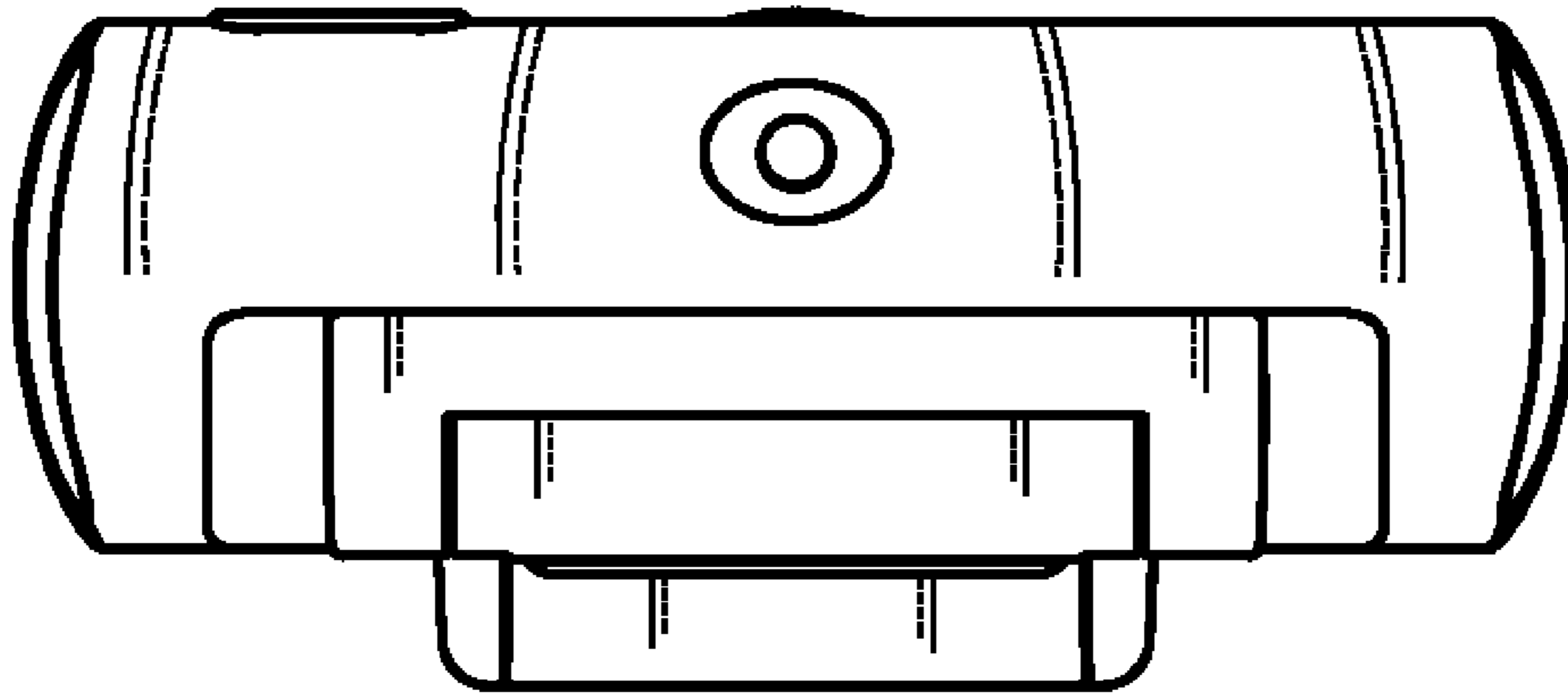


FIG. 7

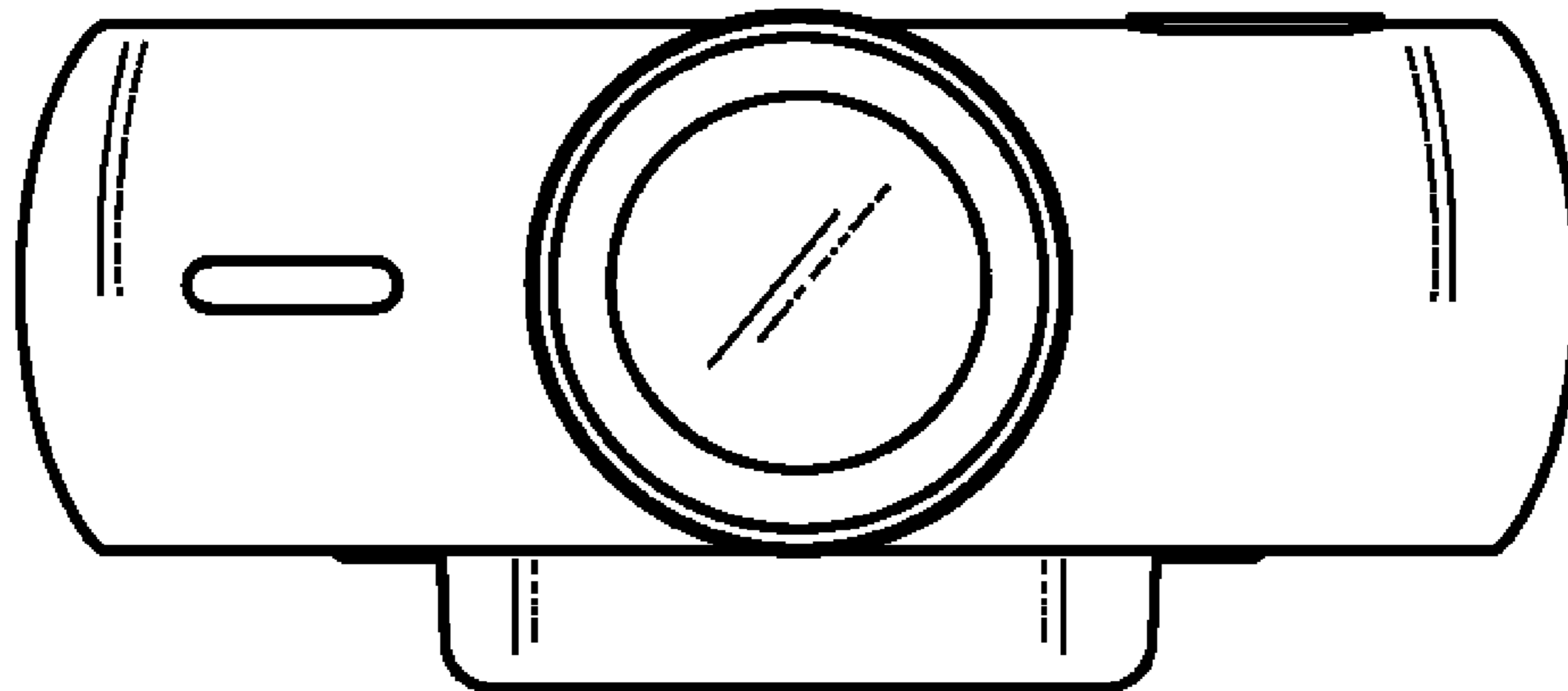


FIG. 8