



US00D631496S

(12) **United States Design Patent**
Tainaka

(10) **Patent No.:** **US D631,496 S**

(45) **Date of Patent:** **** Jan. 25, 2011**

(54) **DIGITAL CAMERA BODY OF LENS REPLACING TYPE**

D494,200 S * 8/2004 Hayamizu D16/202

(75) Inventor: **Daisuke Tainaka**, Hachioji (JP)

* cited by examiner

(73) Assignee: **Olympus Imaging Corp.**, Tokyo (JP)

Primary Examiner—Adir Aronovich

(**) Term: **14 Years**

(74) *Attorney, Agent, or Firm*—Holtz, Holtz, Goodman & Chick, PC

(21) Appl. No.: **29/356,191**

(57) **CLAIM**

(22) Filed: **Feb. 22, 2010**

The ornamental design for a digital camera body of lens replacing type, as shown and described.

(30) **Foreign Application Priority Data**

DESCRIPTION

Jan. 28, 2010 (JP) 2010-001993

(51) **LOC (9) Cl.** **16-01**

FIG. 1 is a front, top and right side perspective view of a digital camera body of lens replacing type showing my new design;

(52) **U.S. Cl.** **D16/202; D16/209**

FIG. 2 is a front elevational view thereof;

(58) **Field of Classification Search** D16/200, D16/202, 204, 206, 209, 211, 218; 348/373–376; 358/909.1; 396/176–178, 535, 540, 541
See application file for complete search history.

FIG. 3 is a rear elevational view thereof;

FIG. 4 is a top plan view thereof;

FIG. 5 is a bottom plan view thereof;

FIG. 6 is a right side elevational view thereof;

FIG. 7 is a left side elevational view thereof; and,

FIG. 8 is a front elevational view showing the state of having the strobe popped up.

(56) **References Cited**

U.S. PATENT DOCUMENTS

- D261,000 S * 9/1981 Miura et al. D16/209
- D365,355 S * 12/1995 Horikiri et al. D16/209
- D388,810 S * 1/1998 Yoshida D16/218
- D449,325 S * 10/2001 Iue et al. D16/202

1 Claim, 7 Drawing Sheets

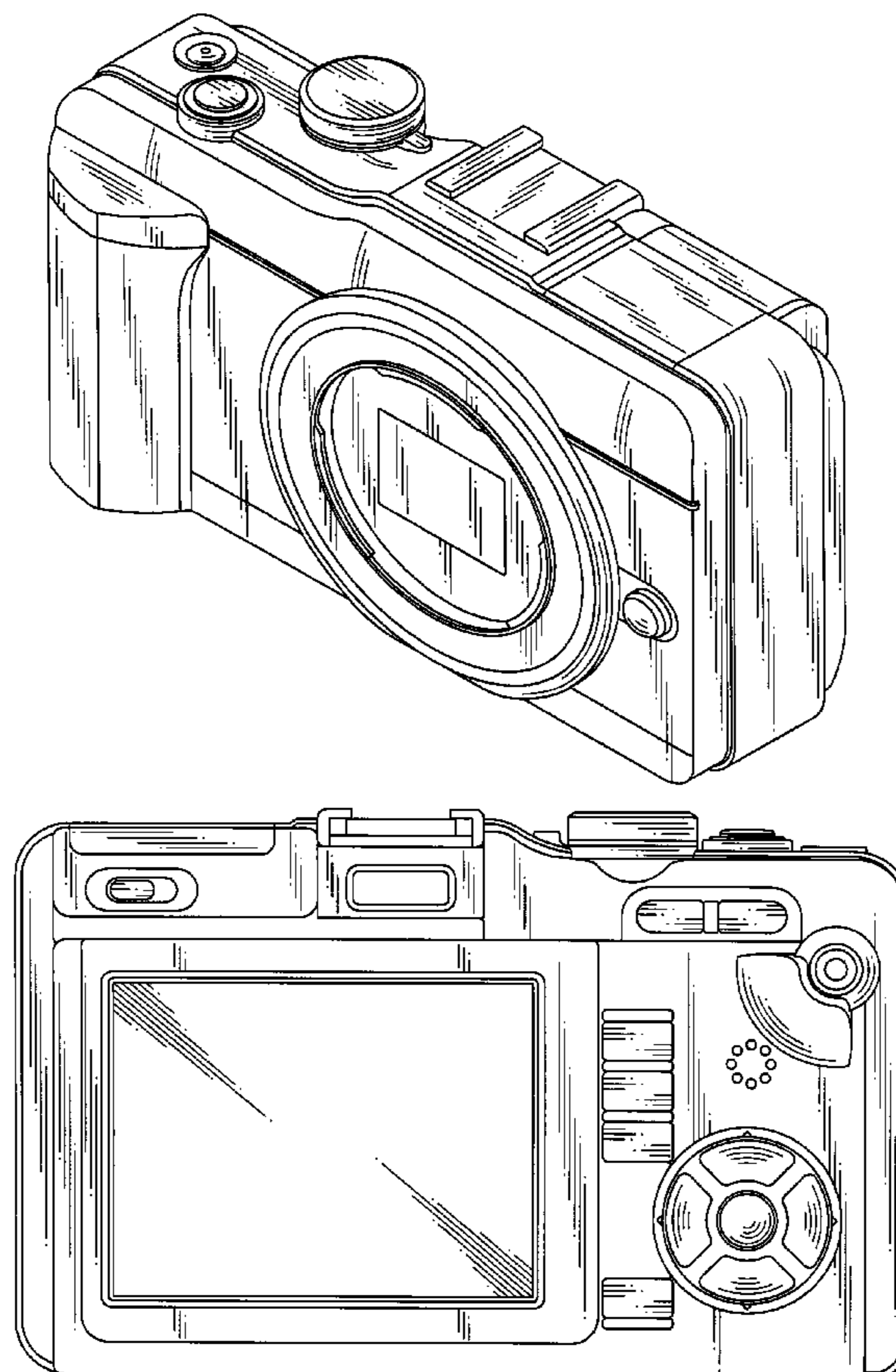


FIG.1

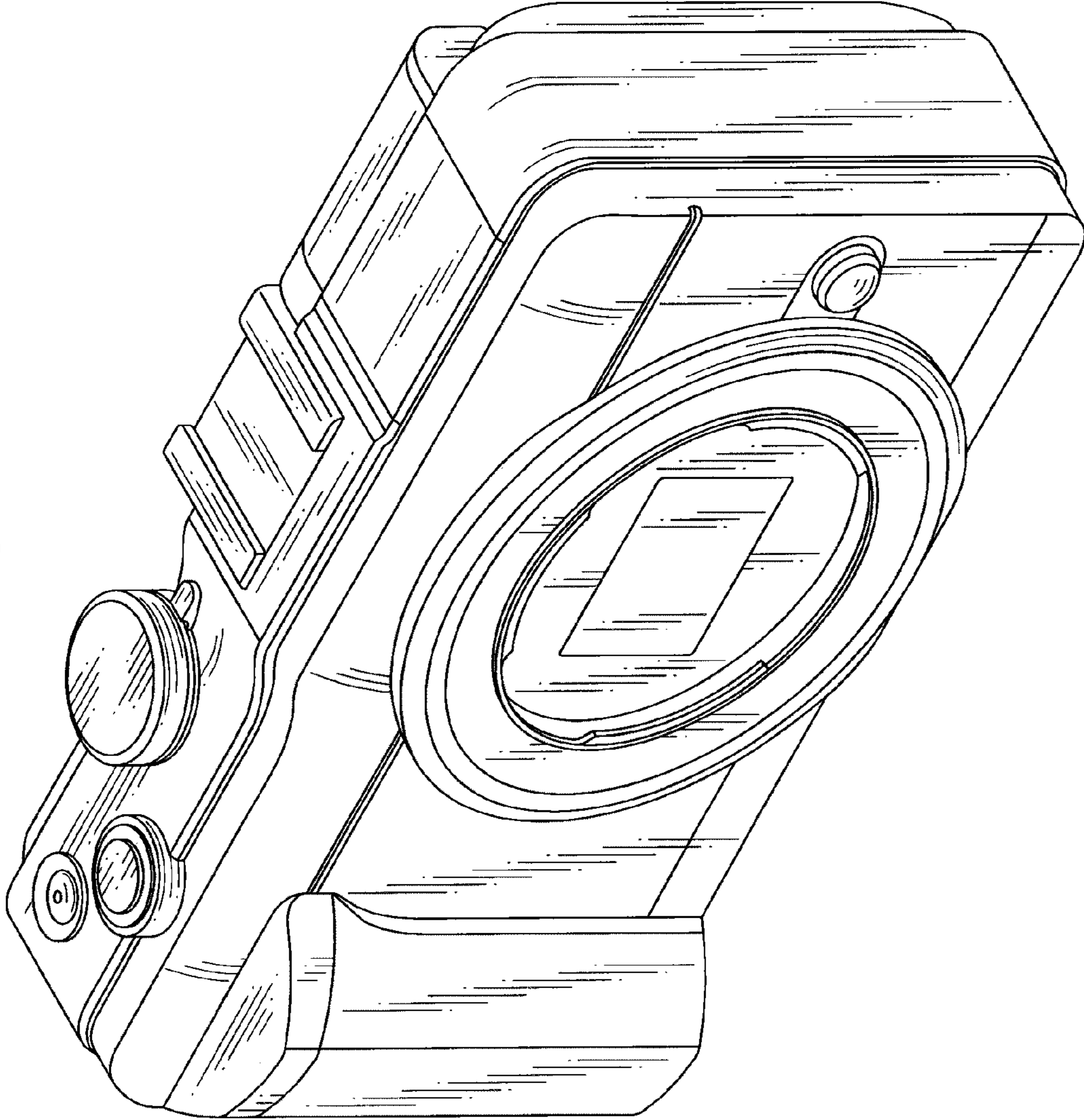


FIG.2

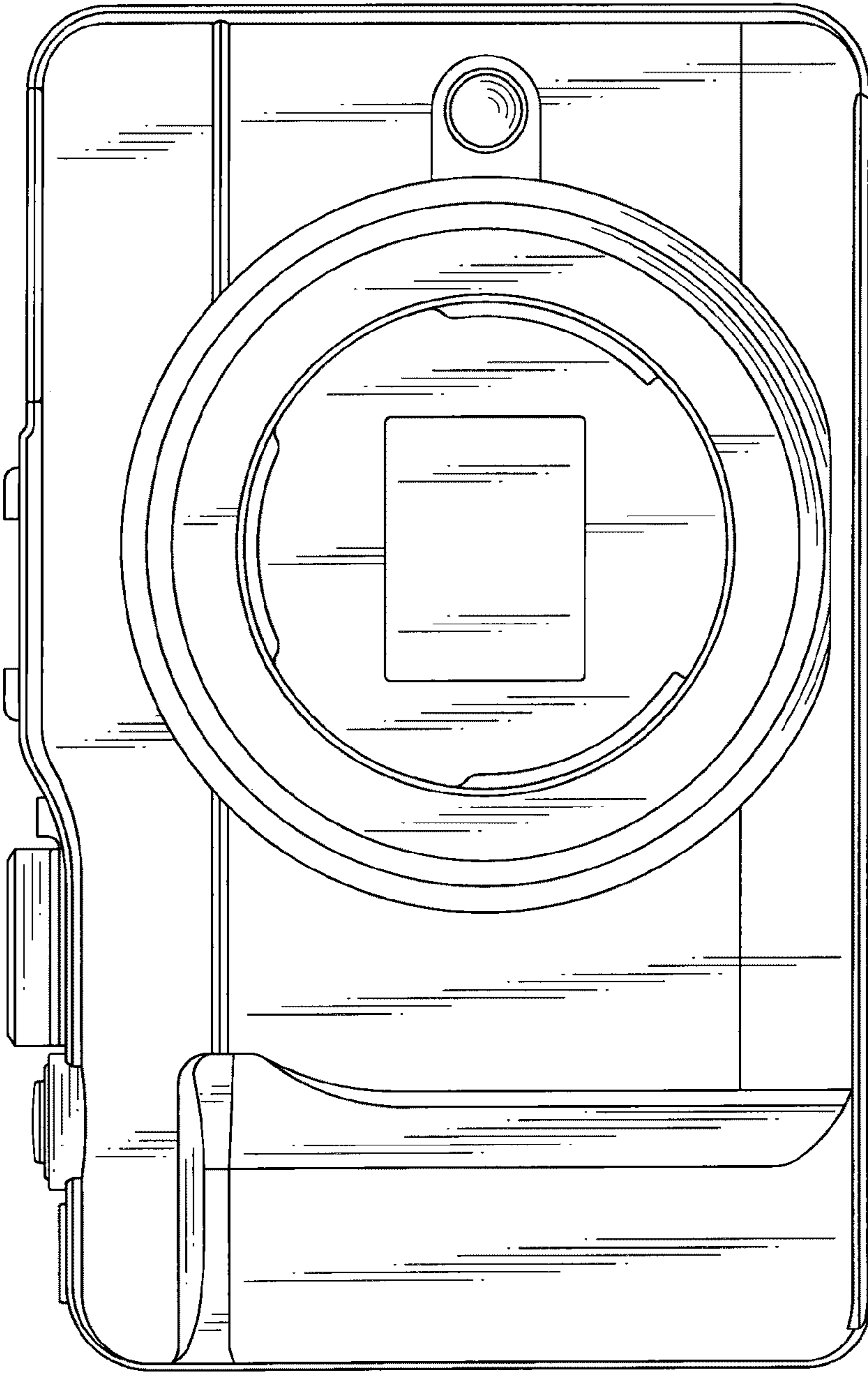


FIG. 3

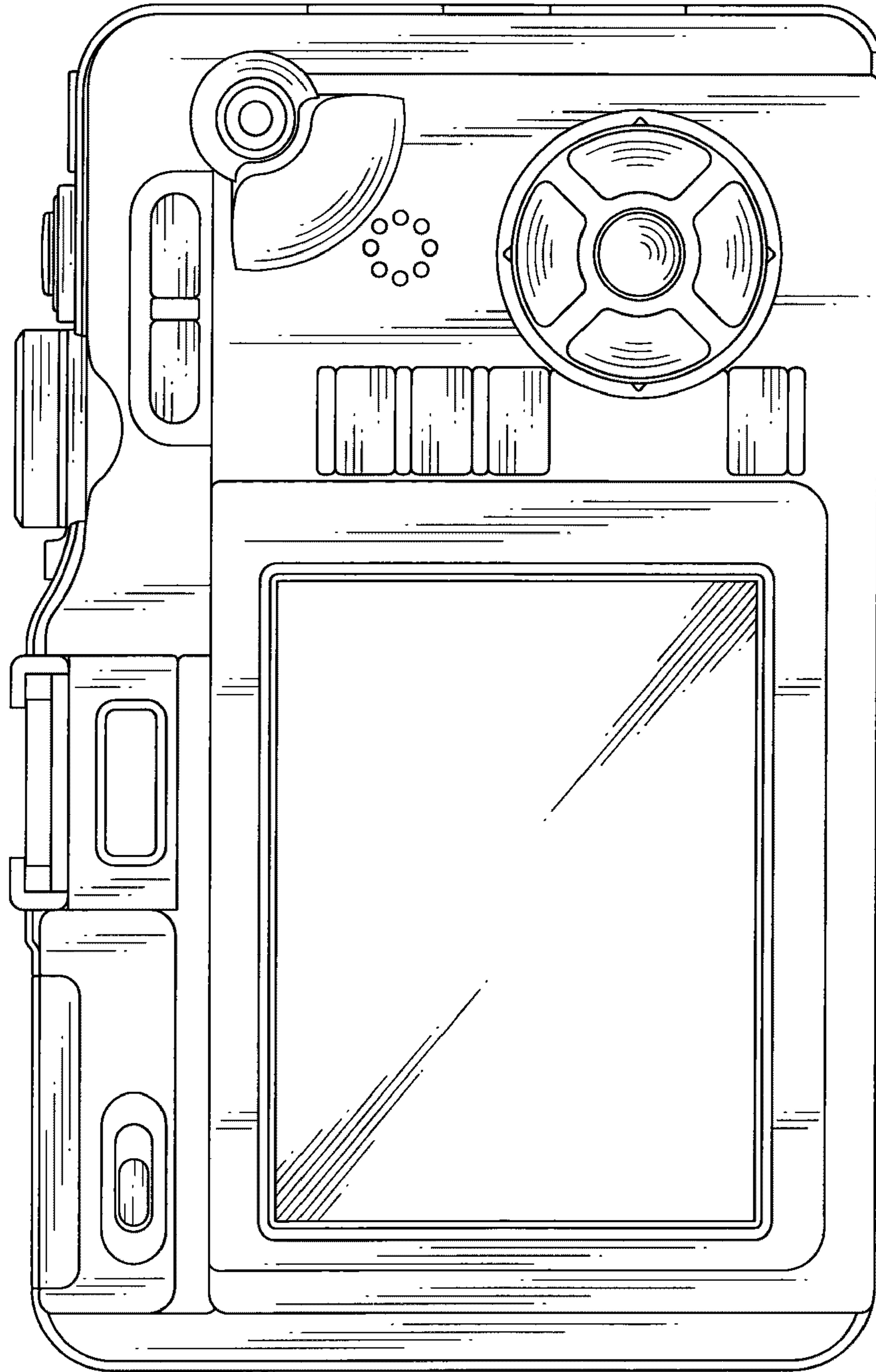


FIG.4

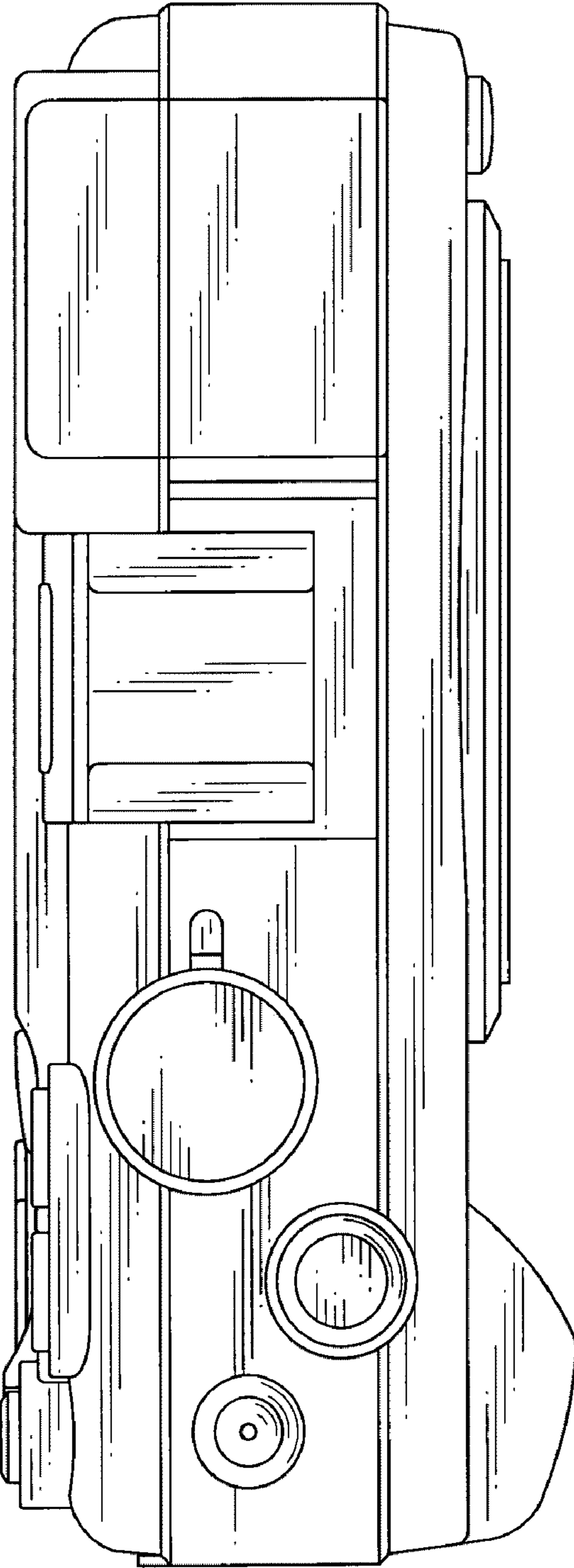


FIG. 5

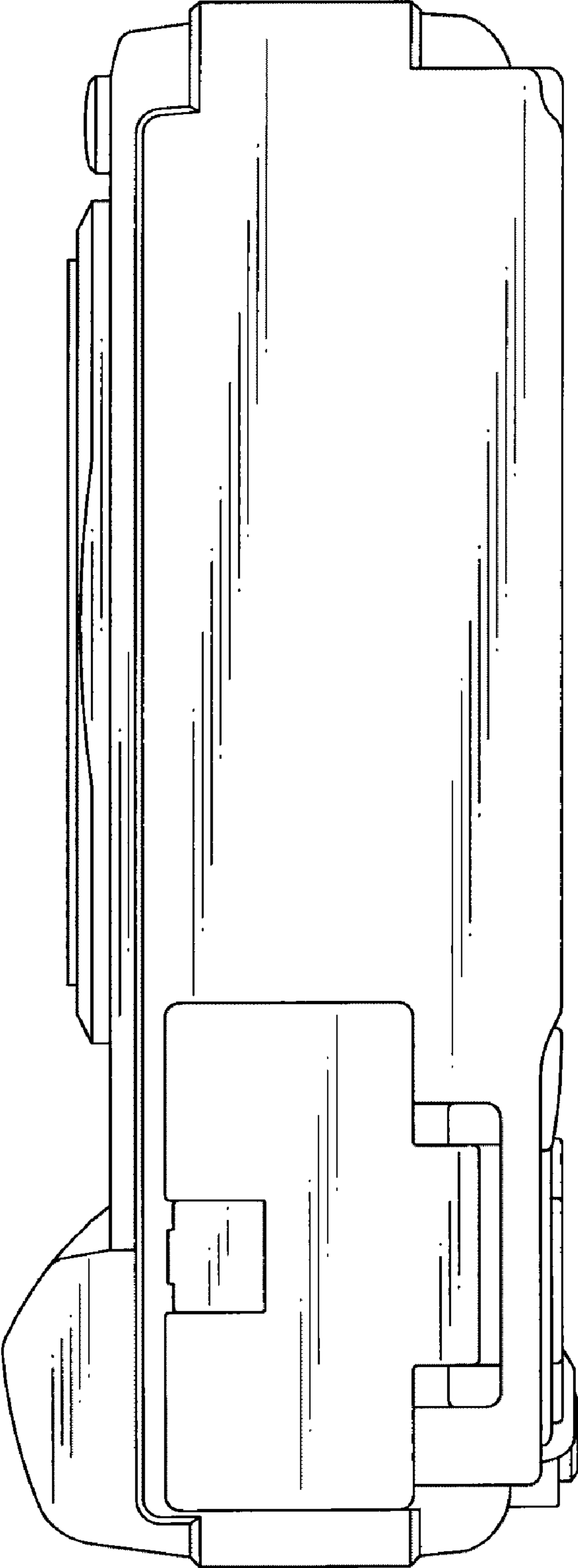


FIG.6

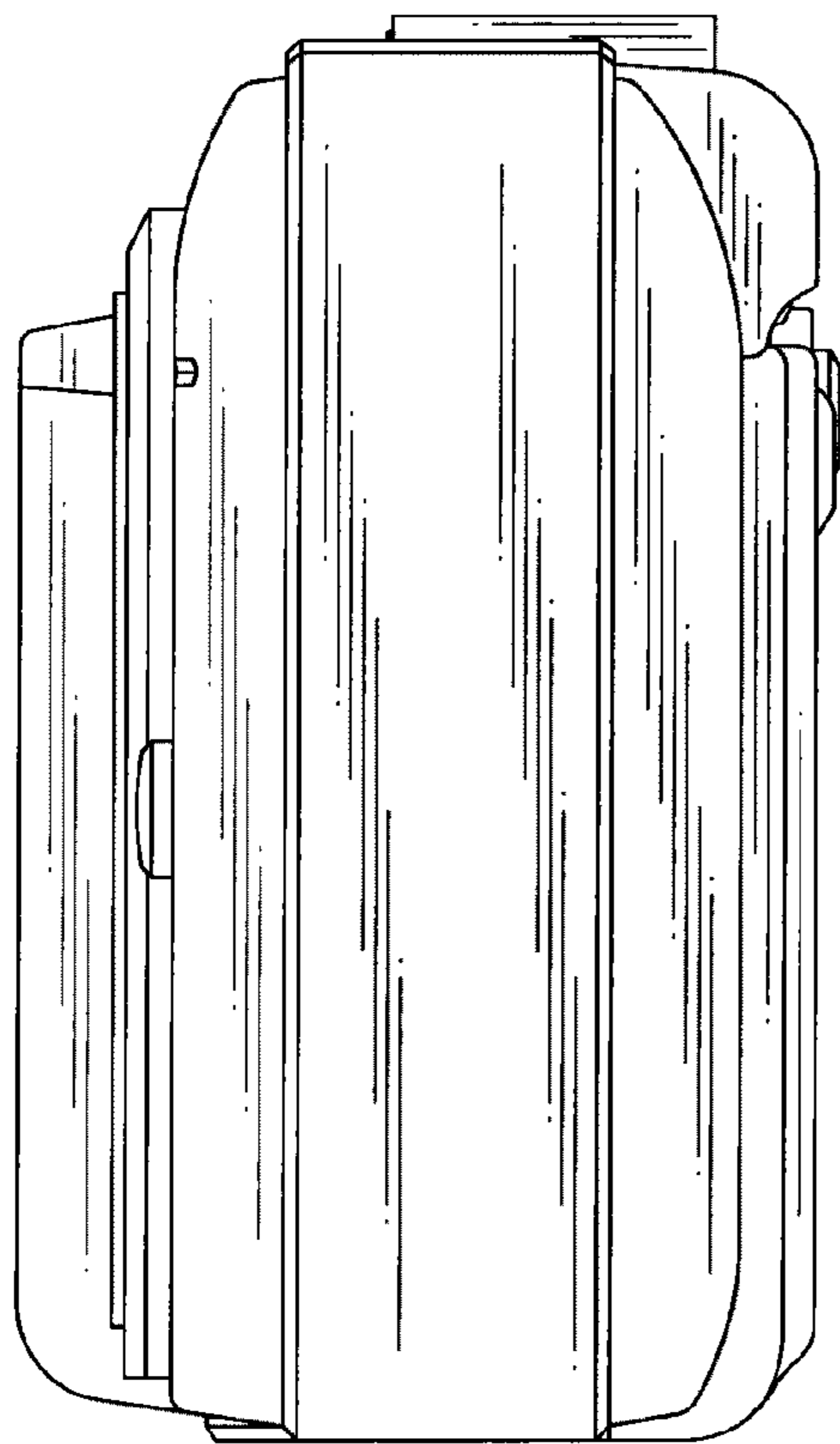


FIG.7

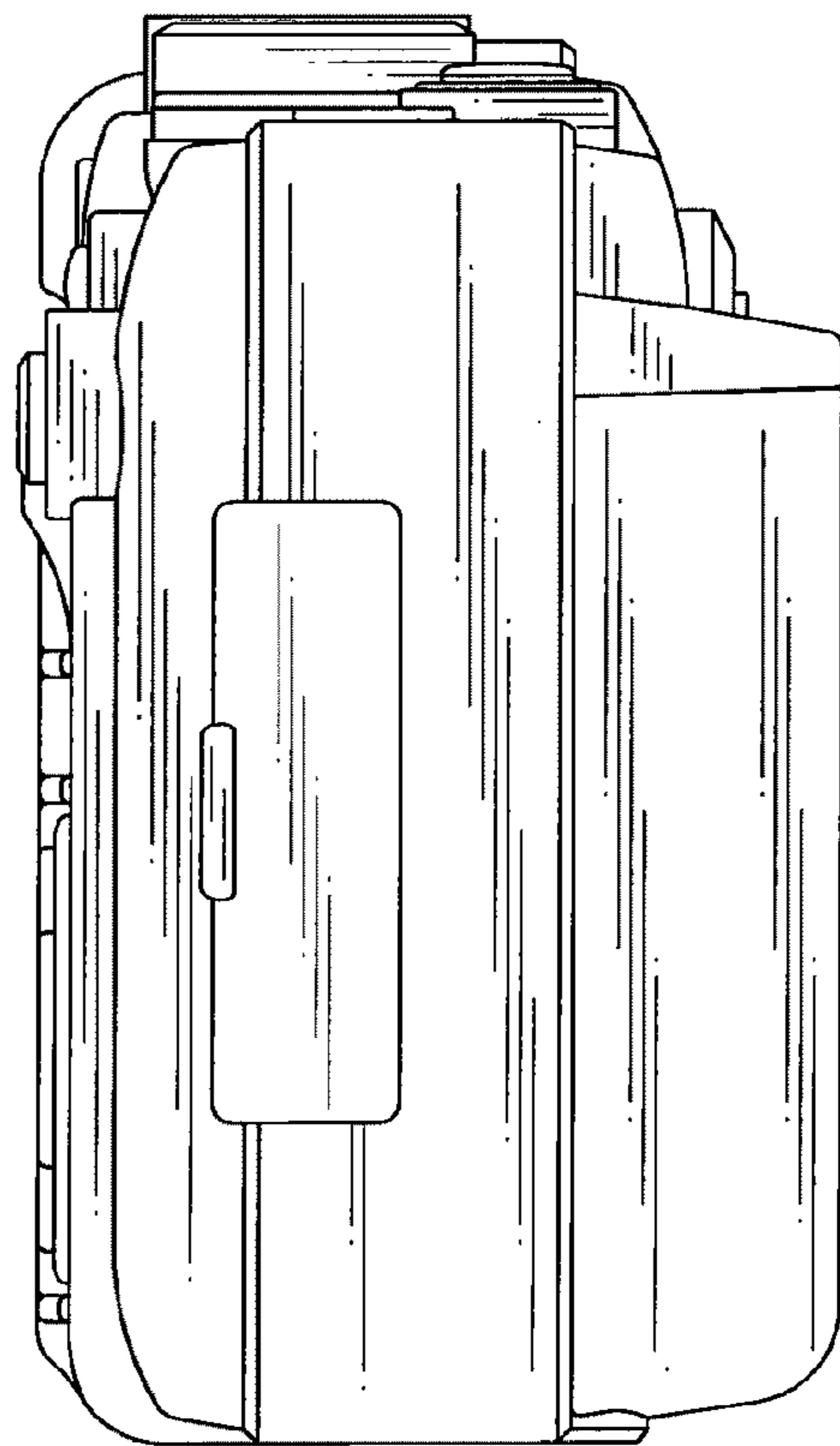


FIG. 8

