



US00D631495S

(12) **United States Design Patent**
Lee et al.

(10) **Patent No.:** **US D631,495 S**
(45) **Date of Patent:** **** Jan. 25, 2011**

(54) **CAMCORDER**
(75) Inventors: **Mi-Ri Lee**, Kyunggi-do (KR); **Harata Tomohiro**, Seoul (KR)
(73) Assignee: **Samsung Electronics Co., Ltd.**, Suwon, Kyunggi-Do (KR)
(**) Term: **14 Years**
(21) Appl. No.: **29/349,408**
(22) Filed: **Mar. 31, 2010**
(51) **LOC (9) Cl.** **16-01**
(52) **U.S. Cl.** **D16/202; D16/203**
(58) **Field of Classification Search** D16/200–205, D16/208, 218; 348/81, 373–376; 358/906; 396/427, 535–541
See application file for complete search history.

D552,648 S 10/2007 Chung
D554,676 S 11/2007 Kim
D554,678 S 11/2007 Kim
D556,801 S 12/2007 Kim
D558,247 S 12/2007 Kim
D559,290 S 1/2008 Chung
D560,241 S 1/2008 Chung
D560,242 S 1/2008 Chung
D560,243 S 1/2008 Kim
D580,469 S 11/2008 Chung et al.
D580,470 S 11/2008 Chung et al.
D584,325 S 1/2009 Chung et al.
D584,753 S 1/2009 Chung et al.
D584,754 S 1/2009 Chung et al.
D584,755 S * 1/2009 Eriksson D16/202
D592,231 S * 5/2009 Schnell D16/202
D600,731 S 9/2009 Lee et al.
D613,323 S 4/2010 Jang et al.
D614,221 S 4/2010 Park
D619,155 S * 7/2010 Kim et al. D16/202
2008/0111914 A1 * 5/2008 Takahashi et al. 348/373

(56) **References Cited**
U.S. PATENT DOCUMENTS

D356,806 S 3/1995 Kim
D365,354 S 12/1995 Sung
D366,886 S 2/1996 Choi
D368,729 S 4/1996 Choi
D372,925 S 8/1996 Choi
D378,296 S 3/1997 Choi
D383,767 S 9/1997 Sung et al.
D386,506 S 11/1997 Choi
D390,243 S 2/1998 Choi
6,304,289 B1 * 10/2001 Sakai et al. 348/81
D484,901 S 1/2004 Lim
D520,044 S 5/2006 Chung et al.
D520,545 S 5/2006 Chung et al.
D520,546 S 5/2006 Kim
D521,041 S 5/2006 Chung et al.
D526,674 S 8/2006 Byun et al.
D528,142 S 9/2006 Byun et al.
D528,576 S * 9/2006 Chung et al. D16/202
D528,577 S 9/2006 Byun et al.
D533,206 S 12/2006 Kim
D551,275 S * 9/2007 Kim D16/203
D552,142 S 10/2007 Chung

* cited by examiner

Primary Examiner—Adir Aronovich
(74) *Attorney, Agent, or Firm*—Flynn, Thiel, Boutell & Tanis, P.C.

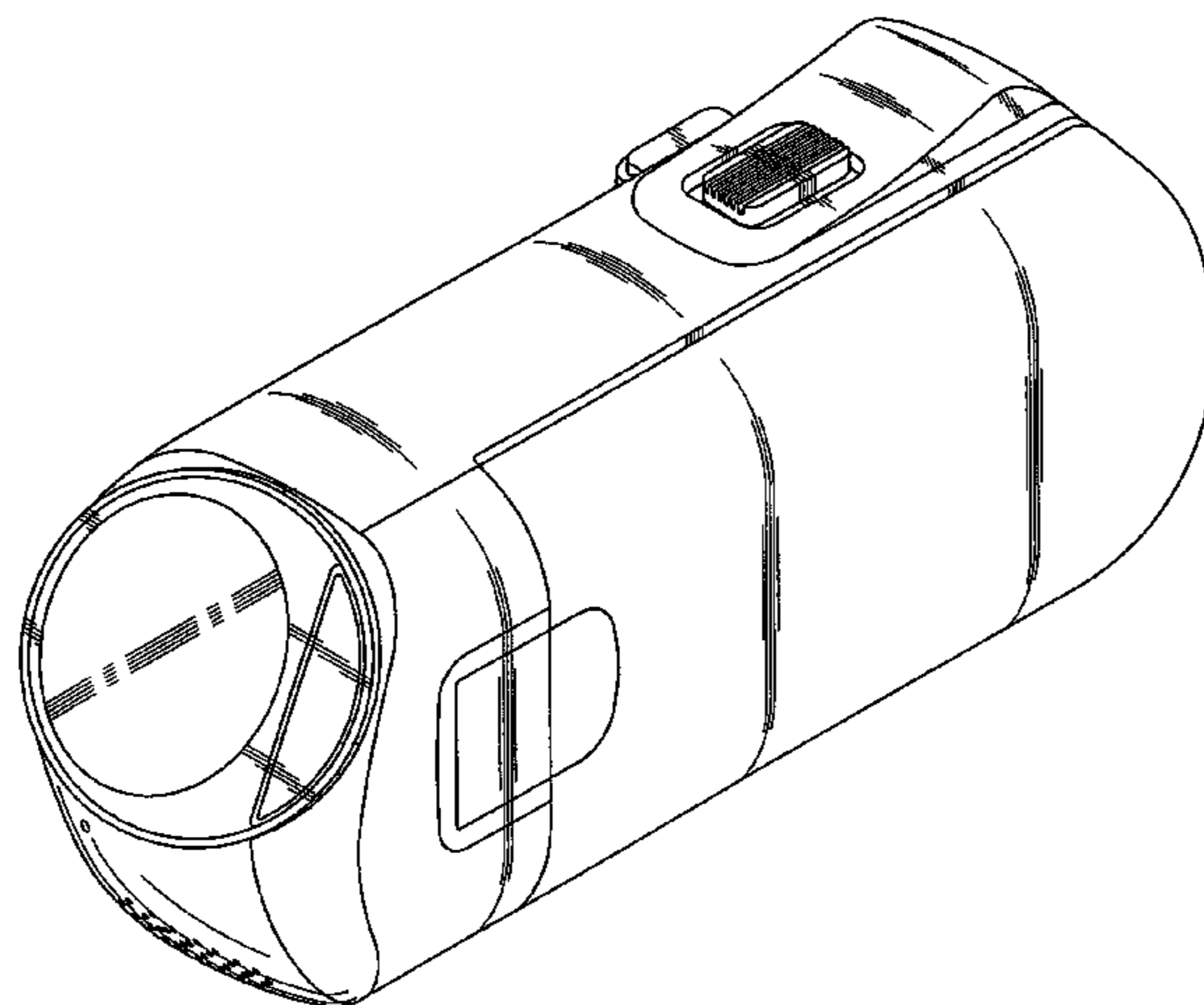
(57) **CLAIM**

The ornamental design for a camcorder, as shown and described.

DESCRIPTION

FIG. 1 is a top front perspective view of a camcorder showing our new design;
FIG. 2 is a front elevational view thereof;
FIG. 3 is a rear elevational view thereof;
FIG. 4 is a left side elevational view thereof;
FIG. 5 is a right side elevational view thereof;
FIG. 6 is a top plan view thereof; and,
FIG. 7 is a bottom plan view thereof.

1 Claim, 4 Drawing Sheets



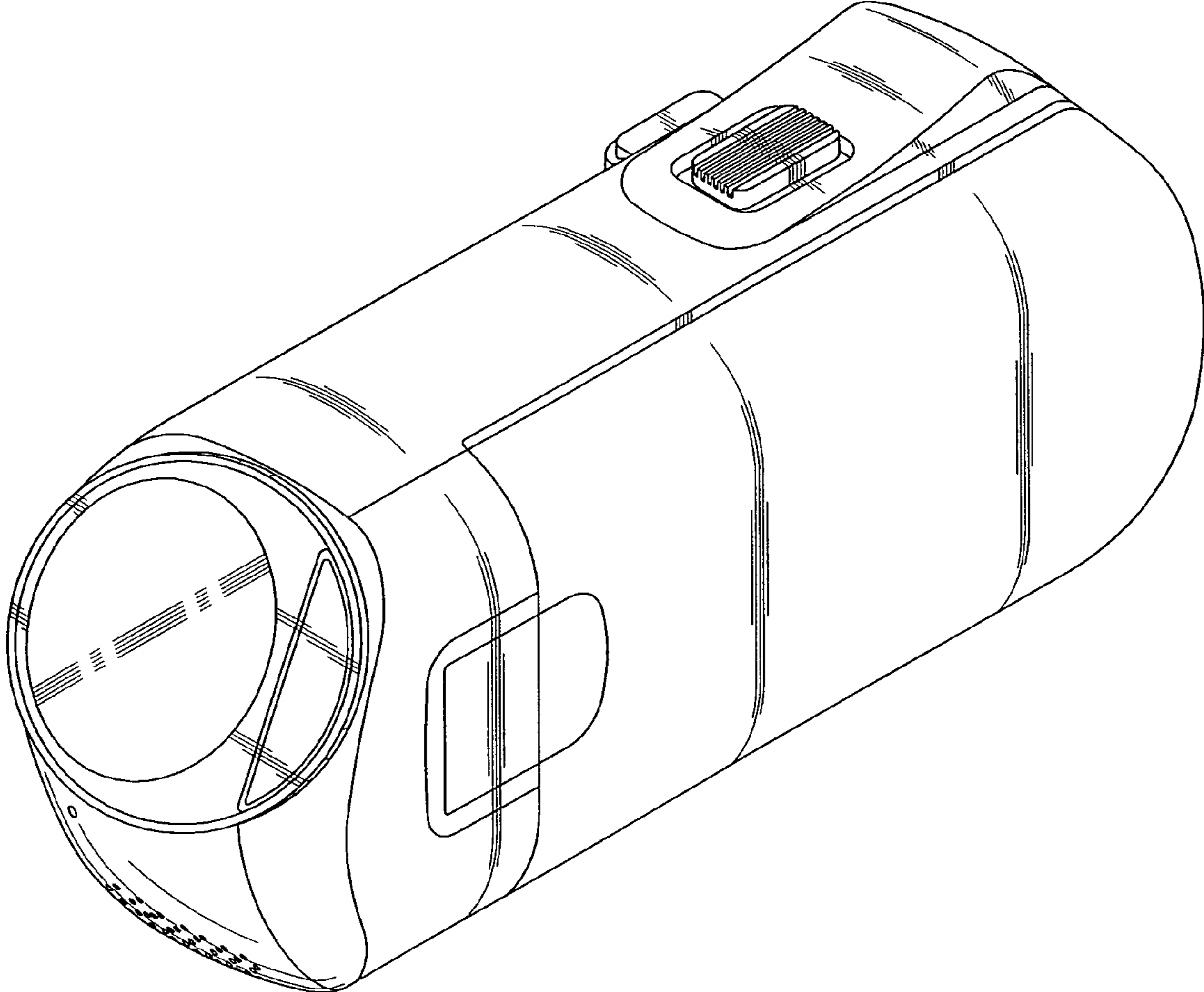


FIG. 1

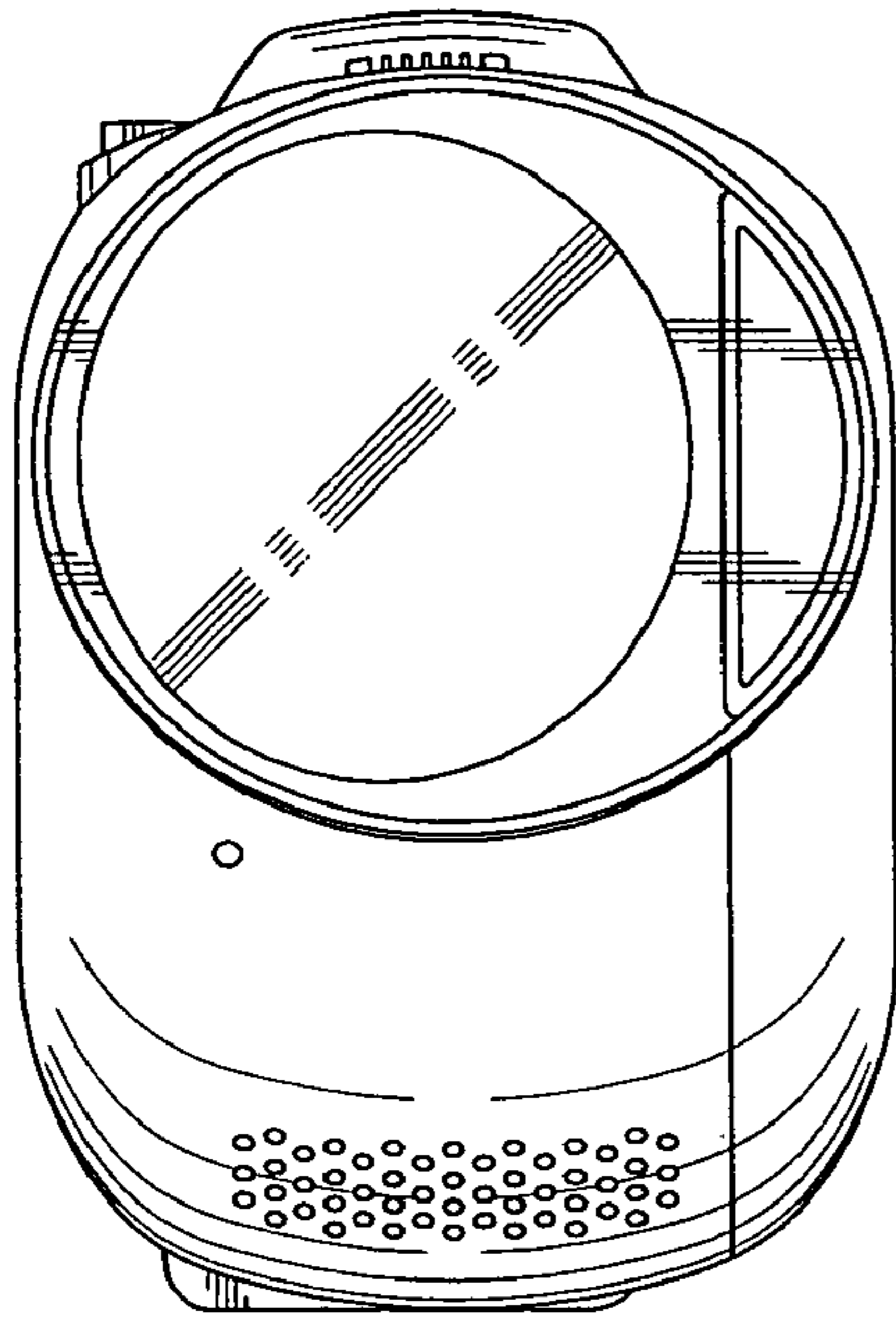


FIG. 2

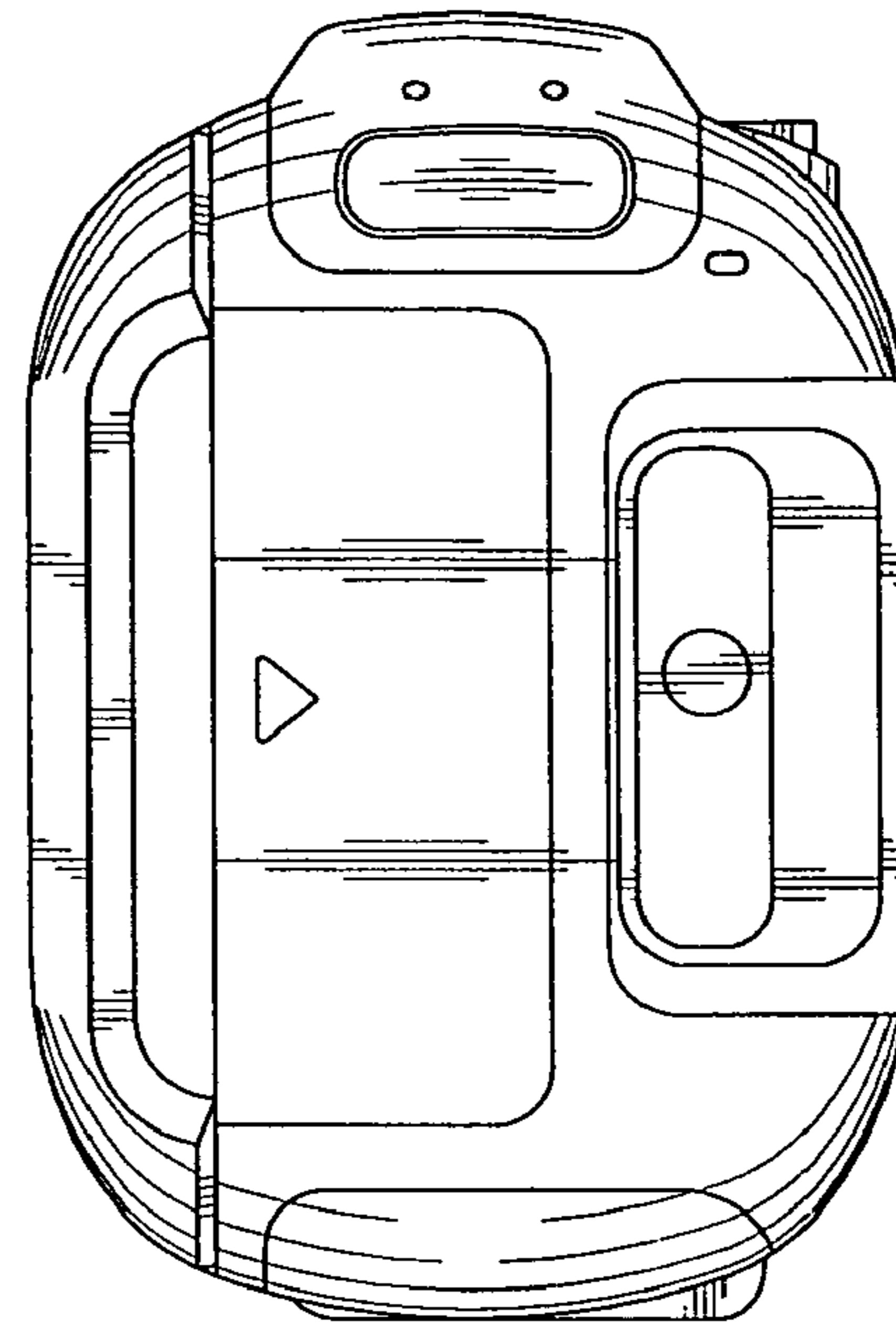


FIG. 3

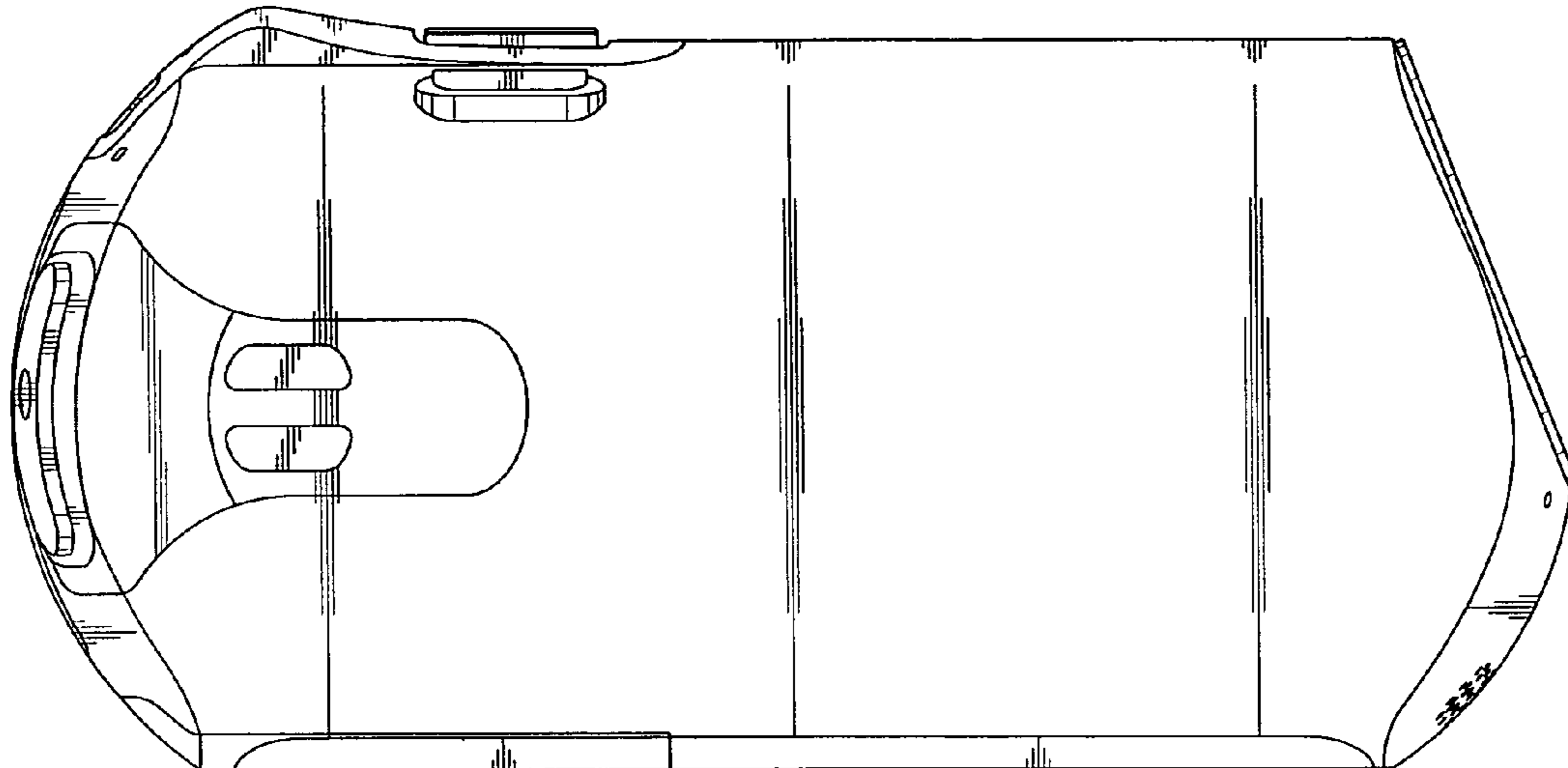


FIG. 4

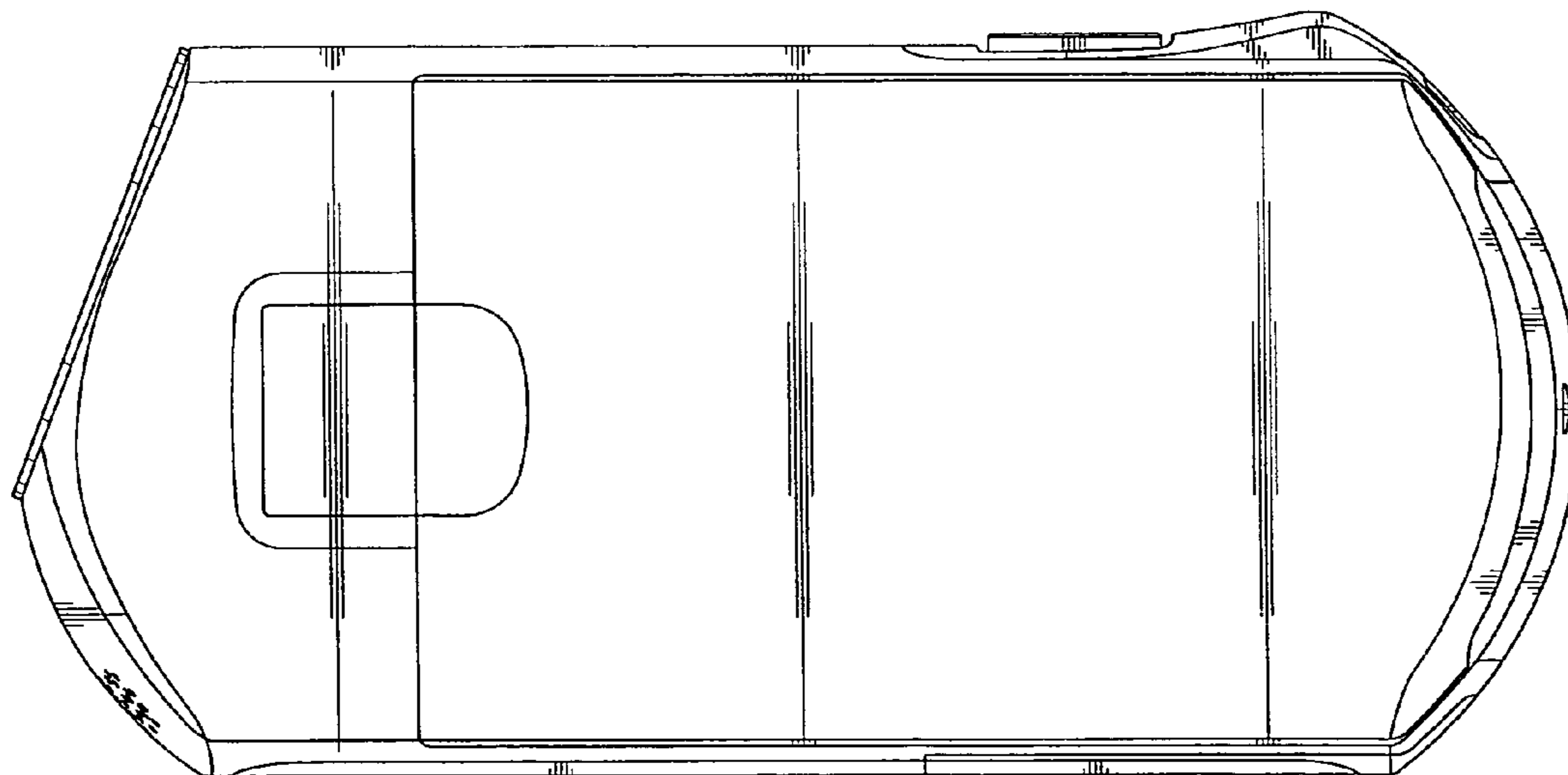


FIG. 5

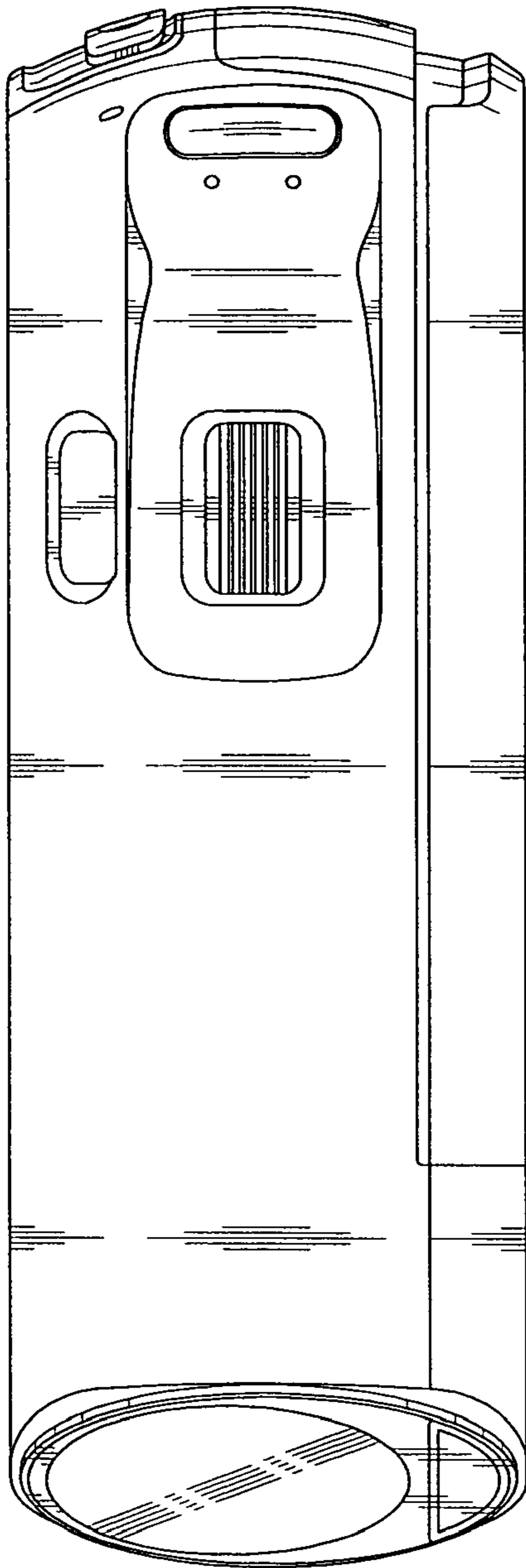


FIG. 6

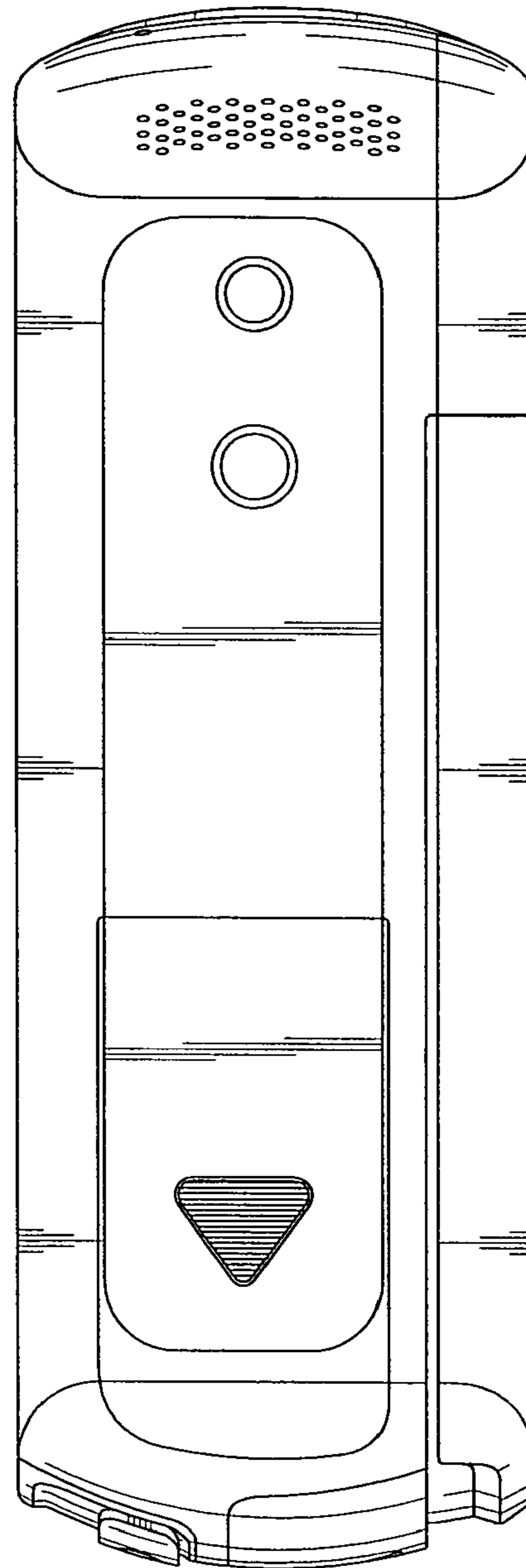


FIG. 7