



US00D631494S

(12) **United States Design Patent**
Marini

(10) **Patent No.:** **US D631,494 S**
(45) **Date of Patent:** **** Jan. 25, 2011**

(54) **FITTING FOR TYRE INFLATION AND TYRE REPAIR**

2004/0221439 A1* 11/2004 Villarreal 29/407.08
2009/0139604 A1* 6/2009 Lolli 141/38
2009/0301602 A1* 12/2009 Lolli et al. 141/38

(75) Inventor: **Maurizio Marini**, Pesaro (IT)

* cited by examiner

(73) Assignee: **Tek Global S.r.l.**, Pesaro (IT)

Primary Examiner—Patricia Palasik

(**) Term: **14 Years**

(74) *Attorney, Agent, or Firm*—Ladas & Parry LLP

(21) Appl. No.: **29/352,159**

(57) **CLAIM**

(22) Filed: **Dec. 17, 2009**

I claim the ornamental design for a fitting for tyre inflation and tyre repair, as shown and described.

(30) **Foreign Application Priority Data**

DESCRIPTION

Jun. 17, 2009 (EM) 001146666

(51) **LOC (9) Cl.** **15-99**

FIG. 1 is a perspective view seen from the front, top, and right-side of a fitting for tyre inflation and tyre repair showing my new design;

(52) **U.S. Cl.** **D15/199**

FIG. 2 is the perspective view of FIG. 1 shown with a door in an opened position;

(58) **Field of Classification Search** D8/105,
D8/499; D15/199; 141/38, 67, 100; 152/415
See application file for complete search history.

FIG. 3 is a top plan view of FIG. 1;

(56) **References Cited**

U.S. PATENT DOCUMENTS

6,283,172 B1* 9/2001 Thurner 141/38
D544,895 S * 6/2007 Izumoto et al. D15/199
D557,299 S * 12/2007 Marini et al. D15/199
D574,866 S * 8/2008 Yoshida D15/199
D597,574 S * 8/2009 Rittweger D15/199
D611,076 S * 3/2010 Yoshida D15/199

FIG. 4 is a right-side elevational view thereof;

FIG. 5 is a left-side elevational view thereof;

FIG. 6 is a front elevational view thereof; and,

FIG. 7 is a rear elevational view thereof.

Features shown in broken lines show environmental structure and form no part of the claimed design.

1 Claim, 7 Drawing Sheets

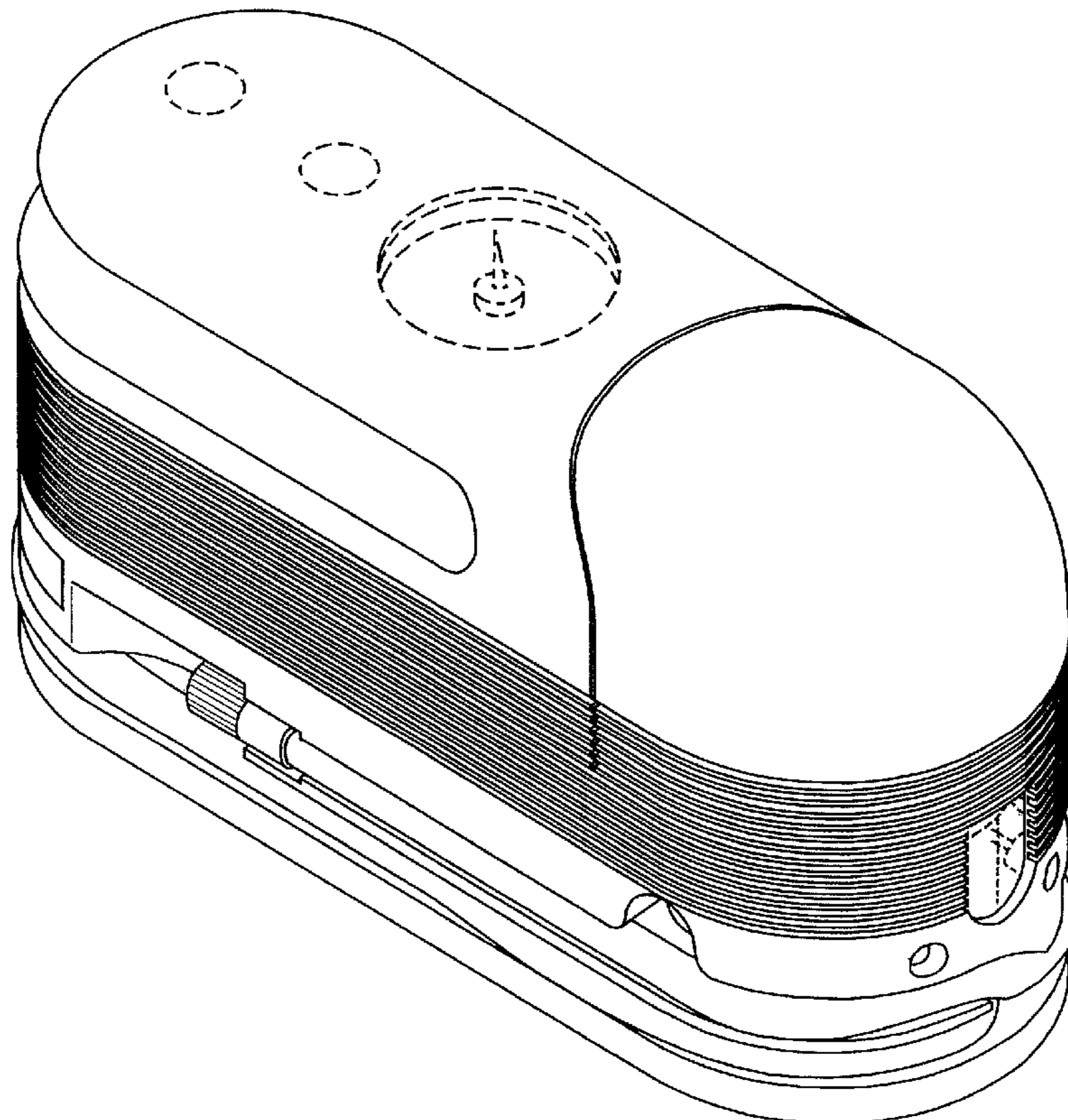


Fig. 1

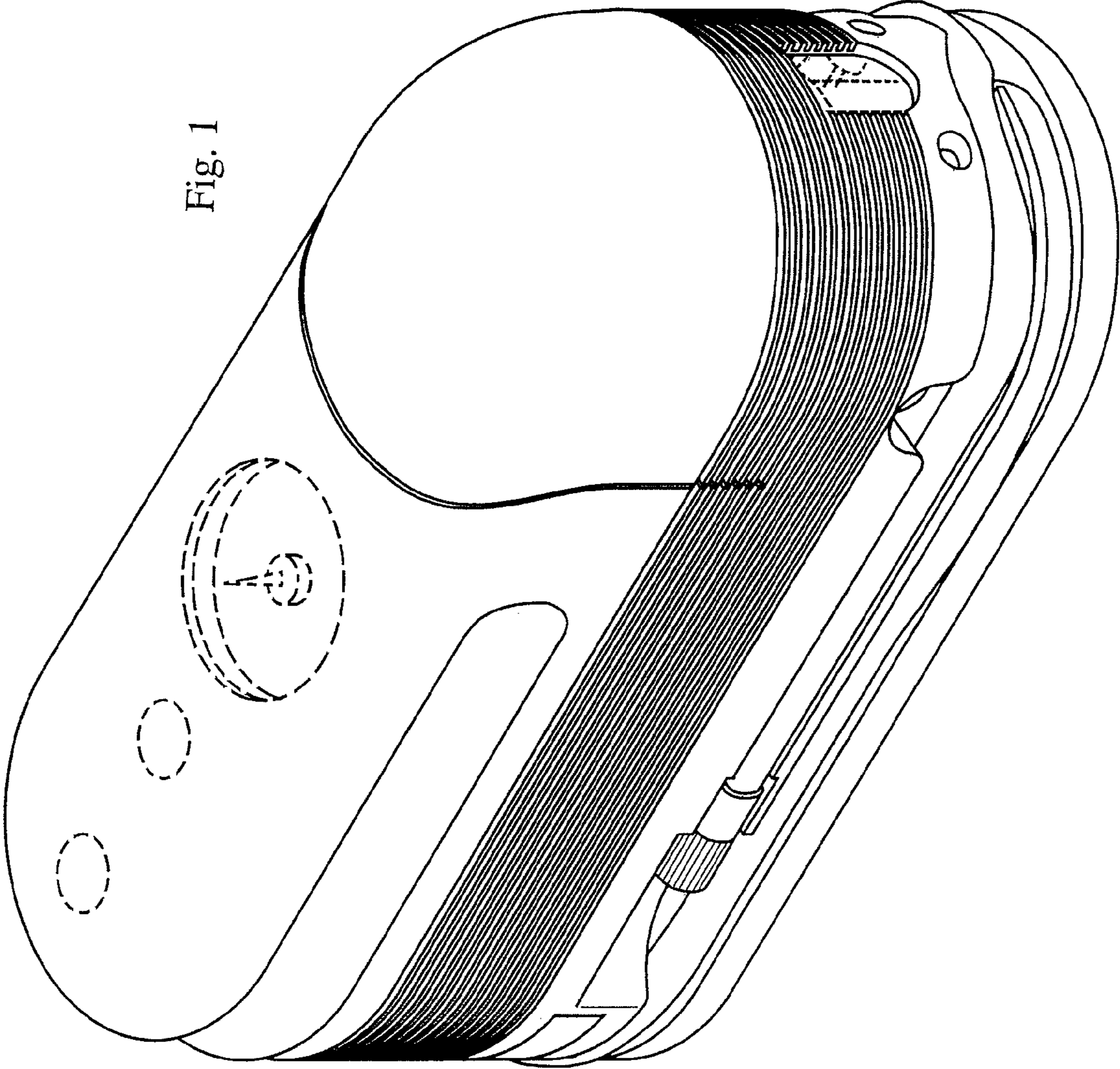


Fig. 2

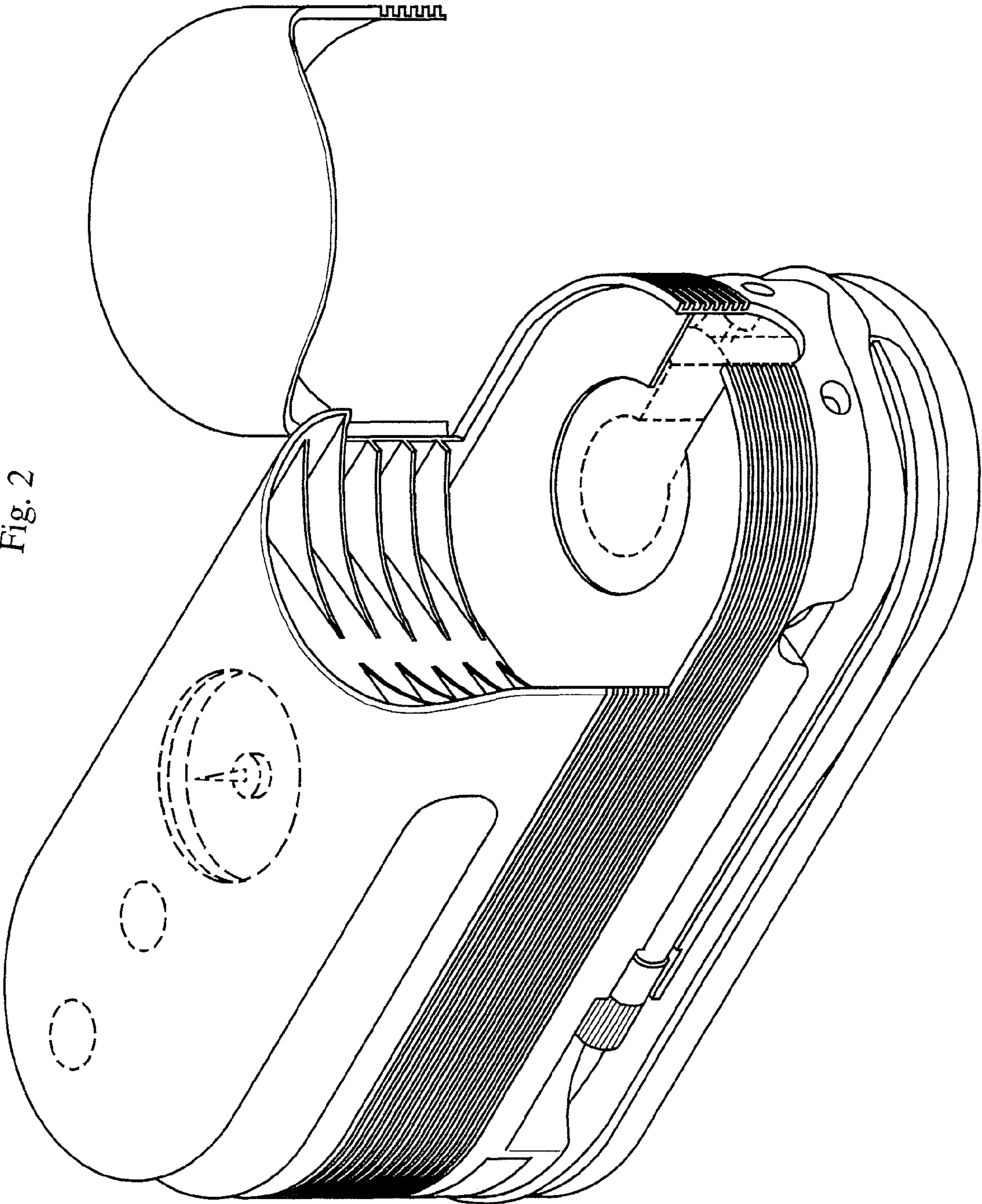


Fig. 3

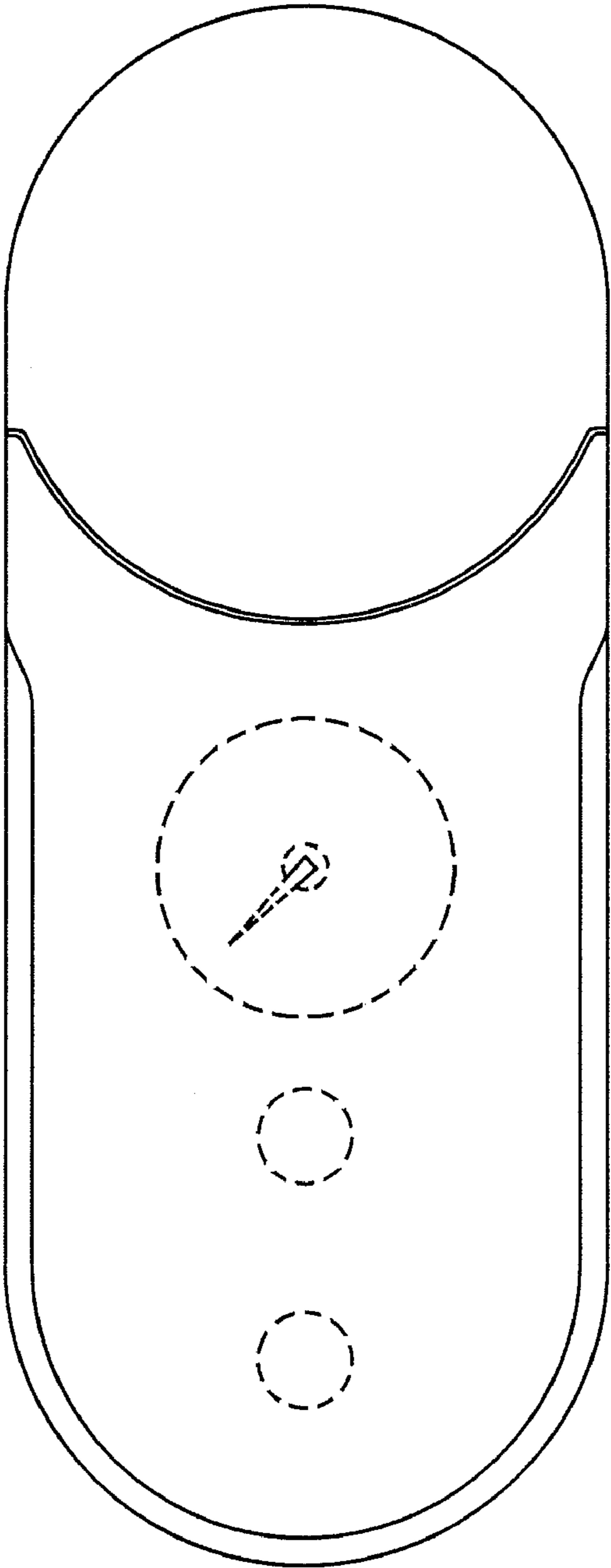


Fig. 4

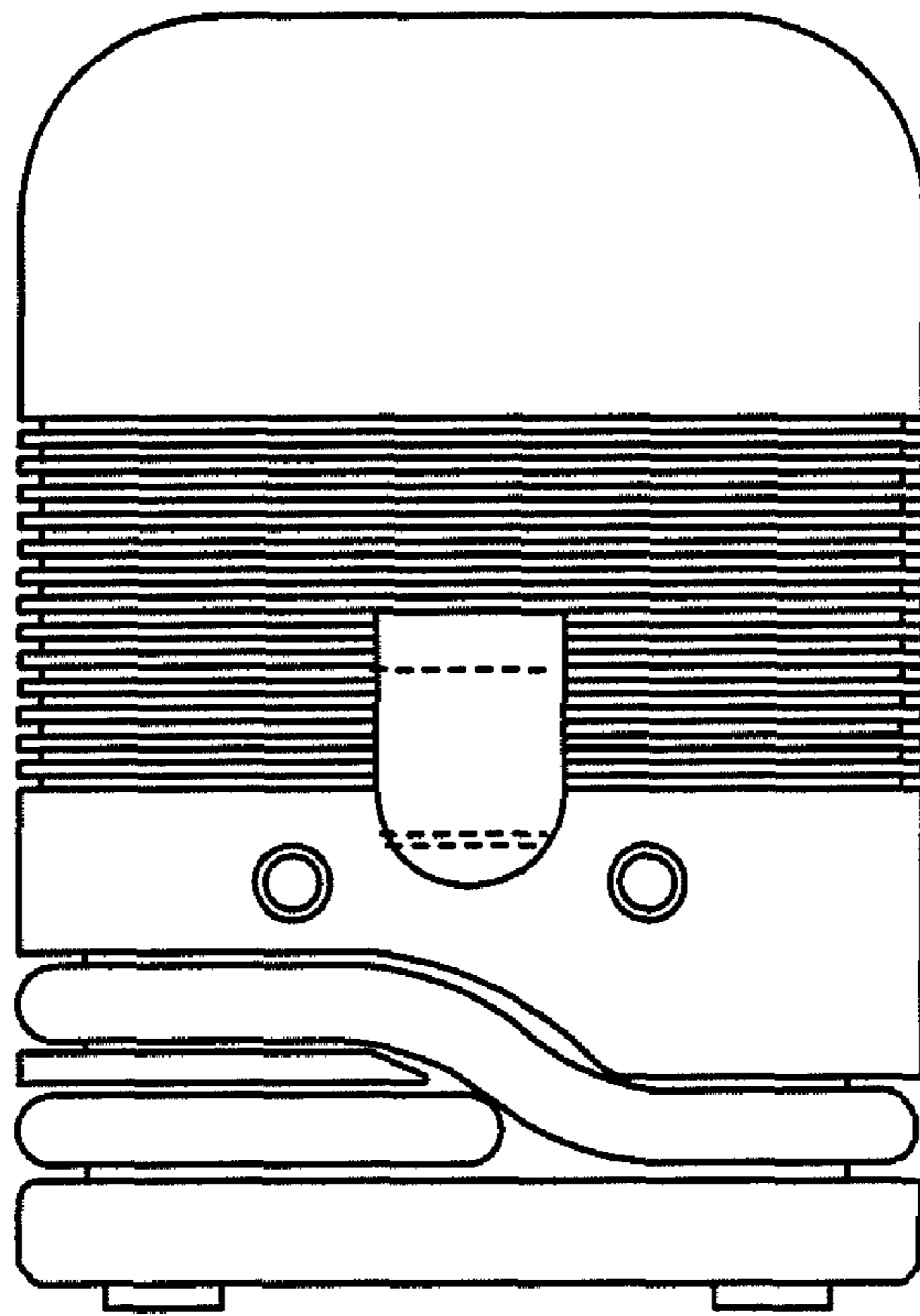


Fig. 5

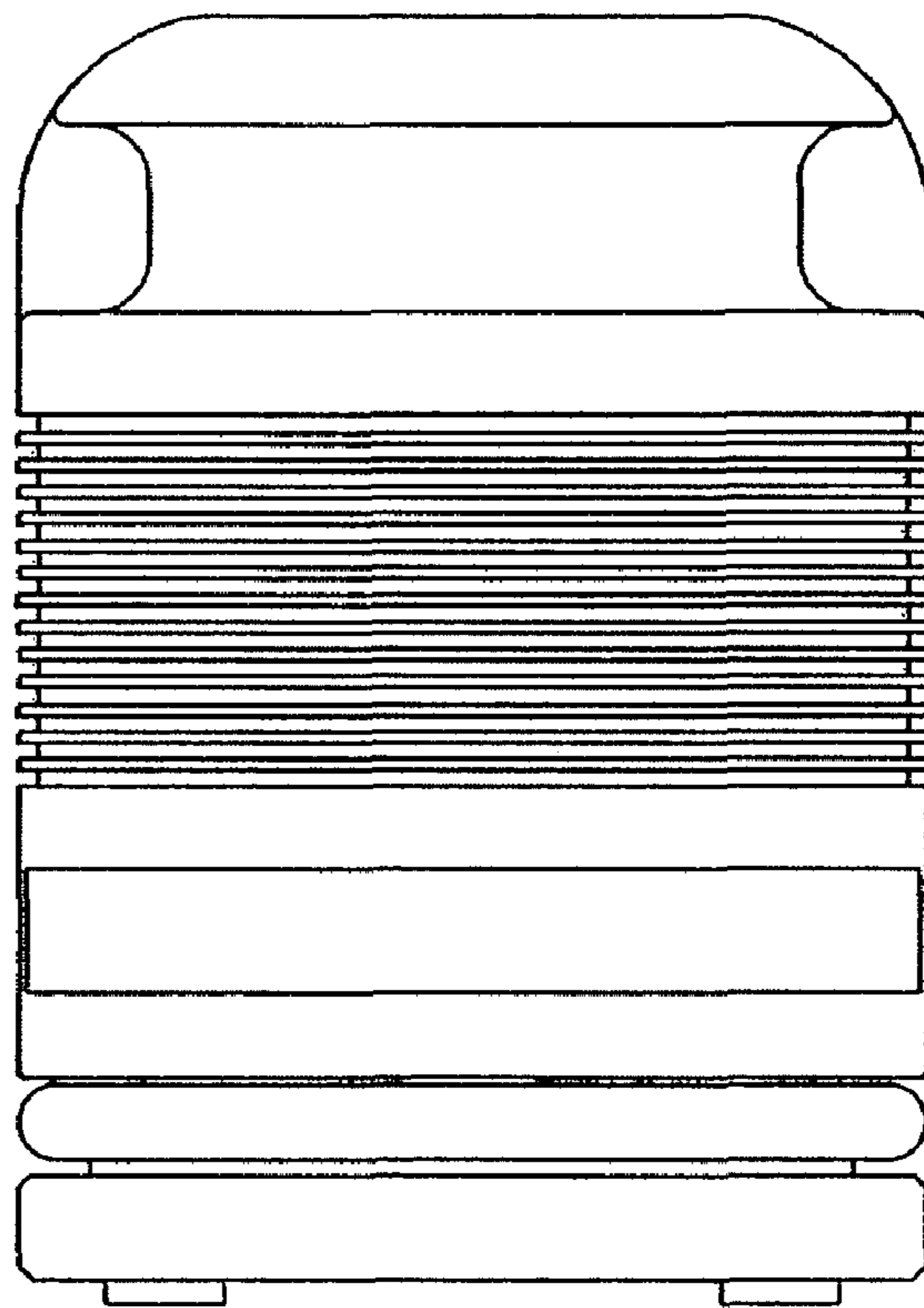


Fig. 6

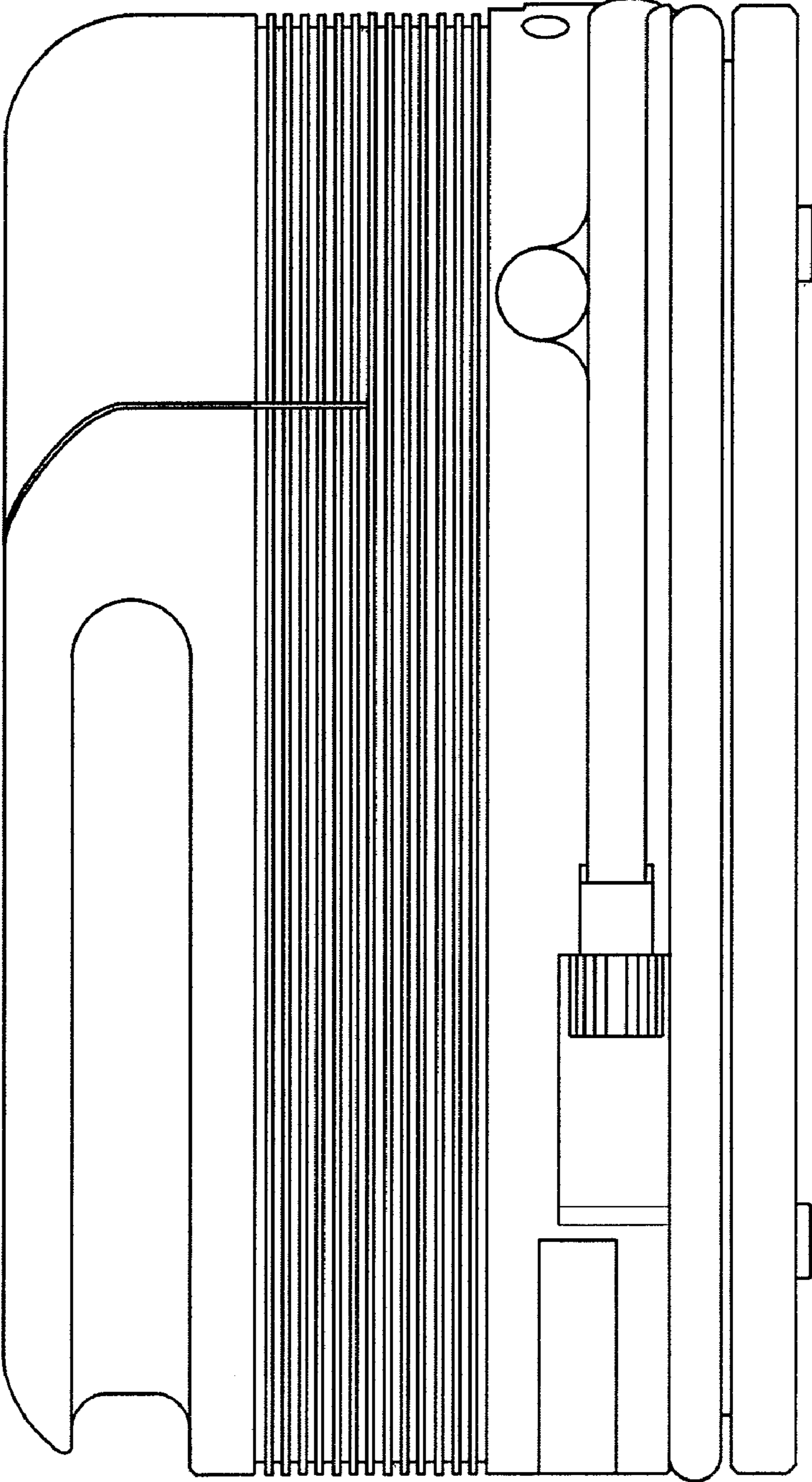


FIG. 7

