



US00D631493S

(12) **United States Design Patent**  
**Tanaka et al.**

(10) **Patent No.:** **US D631,493 S**  
(45) **Date of Patent:** **\*\* Jan. 25, 2011**

(54) **CUTTING INSERT**

(75) Inventors: **Kunishige Tanaka**, Itami (JP);  
**Yasuyuki Kanada**, Itami (JP); **Hirofumi**  
**Tamanishi**, Itami (JP)

(73) Assignee: **Sumitomo Electric Hardmetal Corp.**,  
Itami-Shi (JP)

(\*\*) Term: **14 Years**

(21) Appl. No.: **29/364,325**

(22) Filed: **Jun. 22, 2010**

(30) **Foreign Application Priority Data**

Dec. 25, 2009 (JP) ..... D.2009-030124  
Dec. 25, 2009 (JP) ..... D.2009-030126

(51) **LOC (9) Cl.** ..... **15-09**

(52) **U.S. Cl.** ..... **D15/139**

(58) **Field of Classification Search** ..... D8/70,  
D8/71; D15/138, 139, 140; 82/130, 131;  
407/33-52, 77, 107-120

See application file for complete search history.

(56) **References Cited**

**U.S. PATENT DOCUMENTS**

D137,803 S \* 5/1944 Wilson ..... D15/140  
D138,368 S \* 7/1944 Wilson ..... D15/140  
3,443,457 A \* 5/1969 Nedsten ..... 76/101.1  
D275,760 S \* 10/1984 Cochran ..... D15/139  
D295,016 S \* 4/1988 Forrester ..... D8/70  
D311,193 S \* 10/1990 Andersson et al. .... D15/139  
4,992,007 A \* 2/1991 Satran ..... 407/110  
D330,381 S \* 10/1992 Gustafsson et al. .... D15/139  
RE37,595 E \* 3/2002 Lindstedt ..... 407/116  
D465,229 S \* 11/2002 Hole et al. .... D15/130  
7,195,427 B2 \* 3/2007 Sjoo et al. .... 407/82

D619,153 S \* 7/2010 Davidson ..... D15/139  
2003/0010403 A1 \* 1/2003 Smith ..... 144/241  
2007/0086864 A1 \* 4/2007 Hecht ..... 407/109  
2007/0258779 A1 \* 11/2007 Lundvall ..... 407/113

\* cited by examiner

*Primary Examiner*—Patricia Palasik

(74) *Attorney, Agent, or Firm*—Venable LLP; Michael A.  
Sartori; Steven J. Schwarz

(57) **CLAIM**

The ornamental design for a cutting insert, as shown and  
described.

**DESCRIPTION**

FIG. 1 is a perspective view of front, top plan and left side of  
a cutting insert showing our new design;

FIG. 2 is a front view thereof;

FIG. 3 is a rear view thereof;

FIG. 4 is a top plan view thereof;

FIG. 5 is a bottom plan view thereof;

FIG. 6 is a left side view thereof;

FIG. 7 is a right side view thereof;

FIG. 8 is an enlarged perspective view thereof;

FIG. 9 is an enlarged front view thereof;

FIG. 10 is an enlarged rear view thereof;

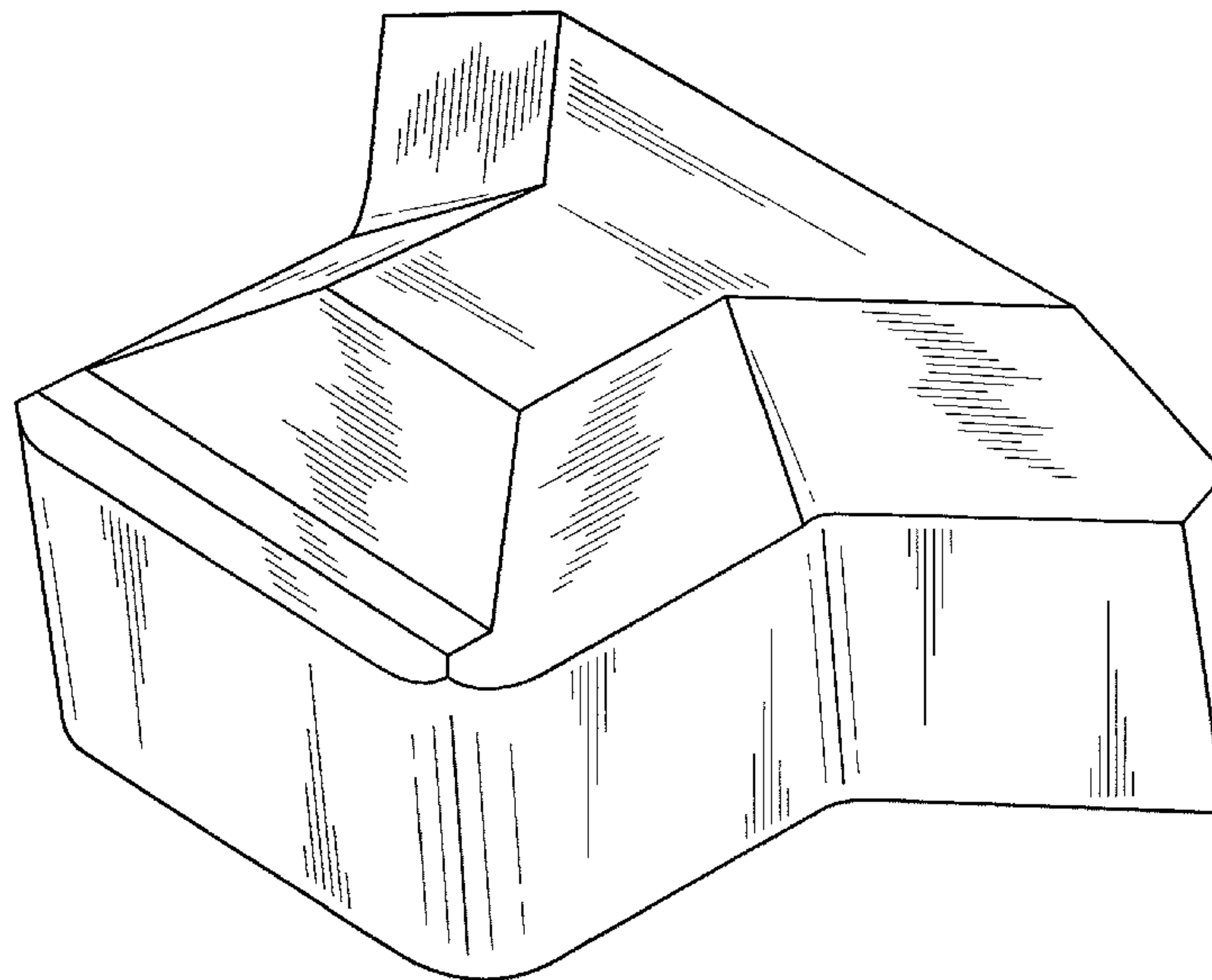
FIG. 11 is an enlarged top plan view thereof;

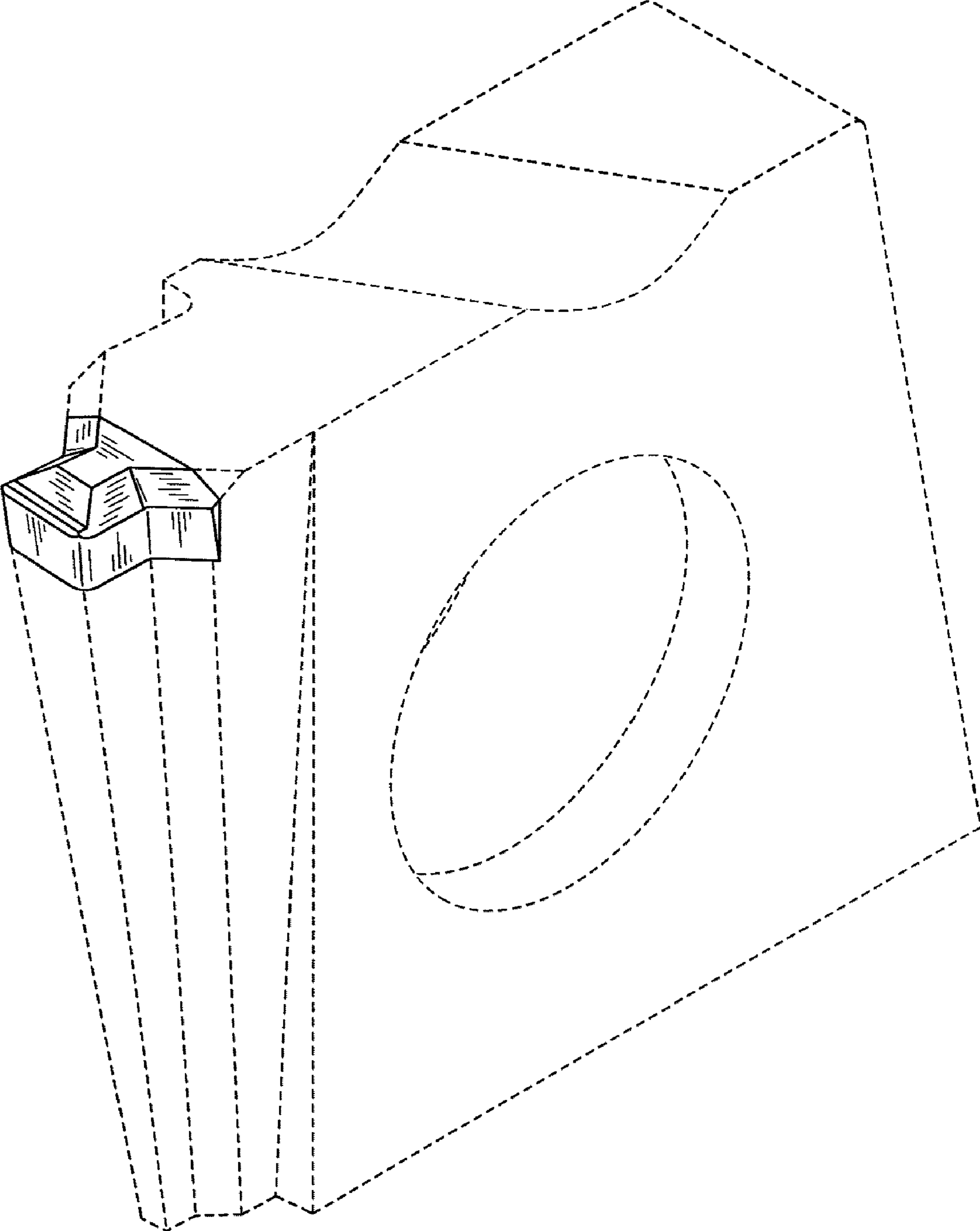
FIG. 12 is an enlarged left side view thereof; and,

FIG. 13 is a perspective reference view of usage thereof.

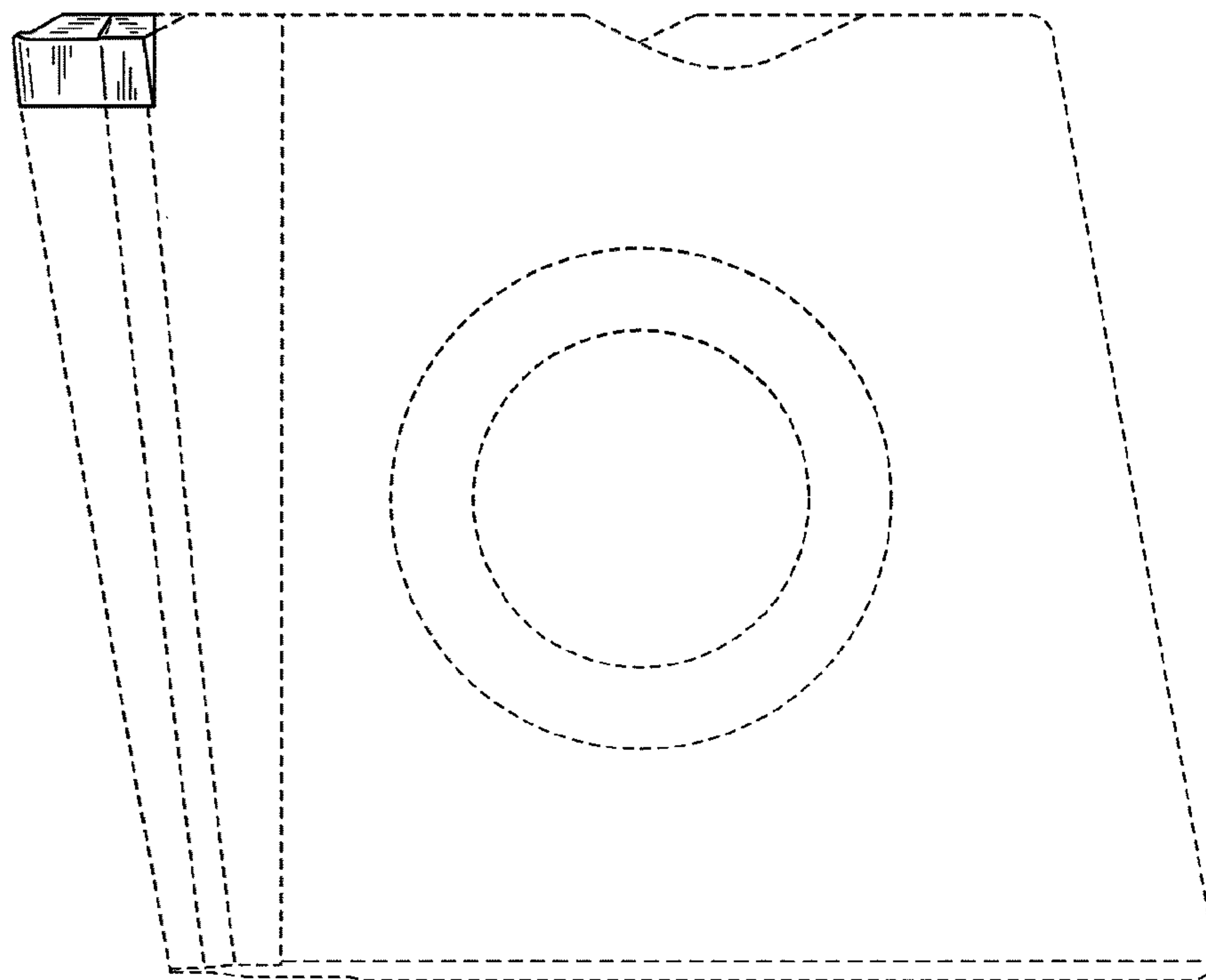
The portions of the article in broken lines are shown for  
illustrative purposes only and form no part of the claimed  
design.

**1 Claim, 9 Drawing Sheets**

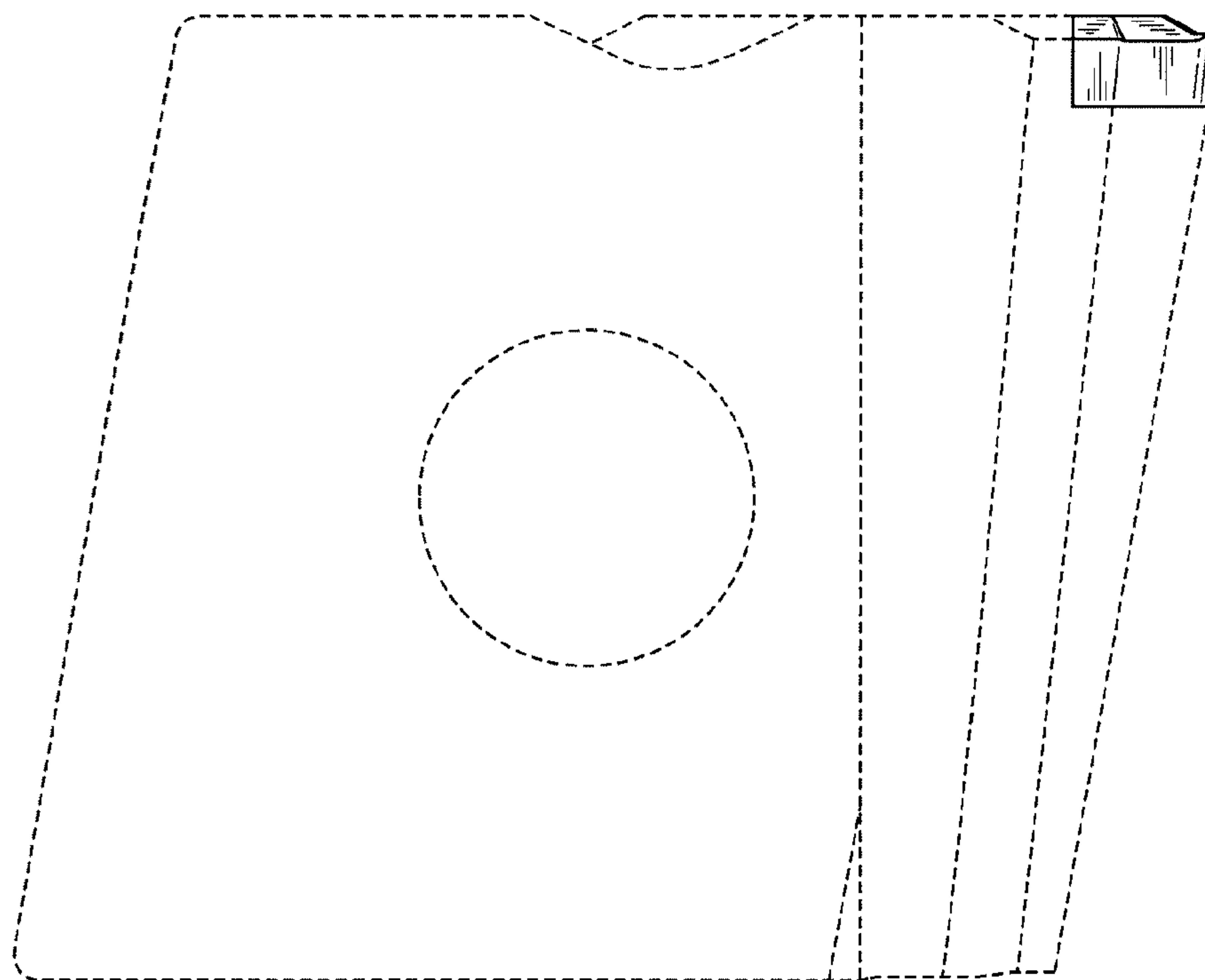




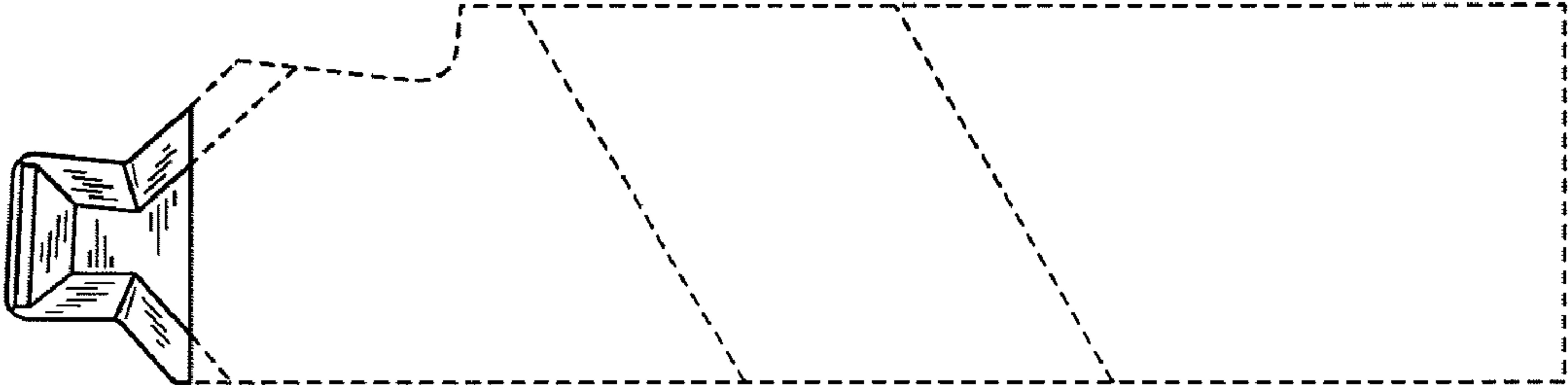
**FIG. 1**



**FIG. 2**



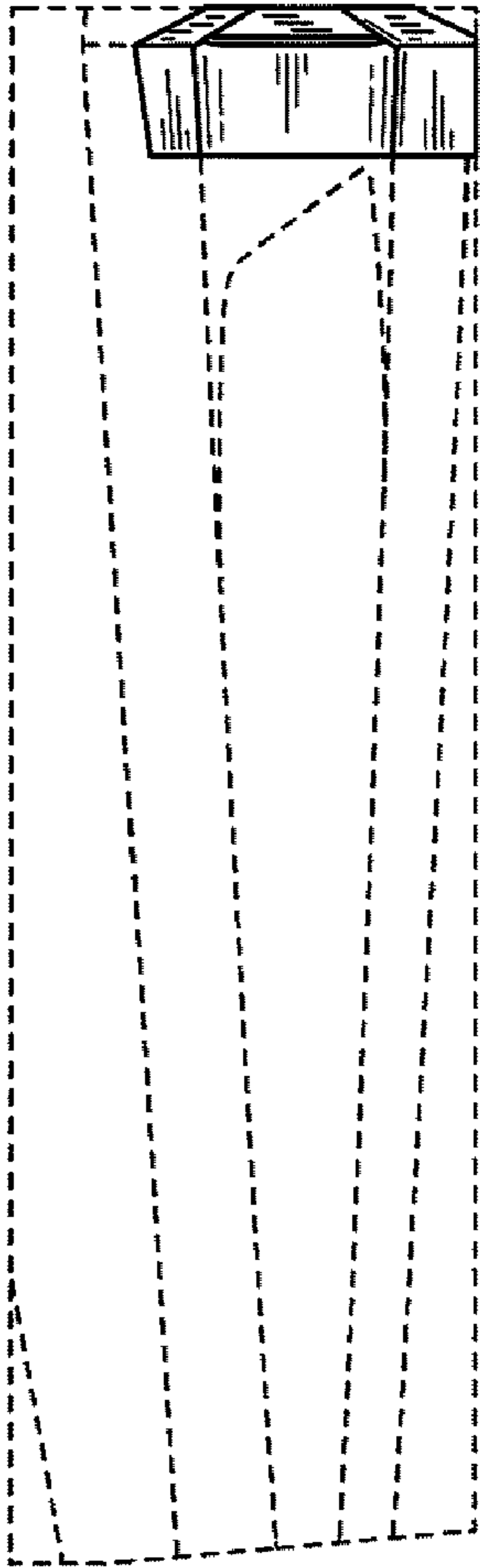
**FIG. 3**



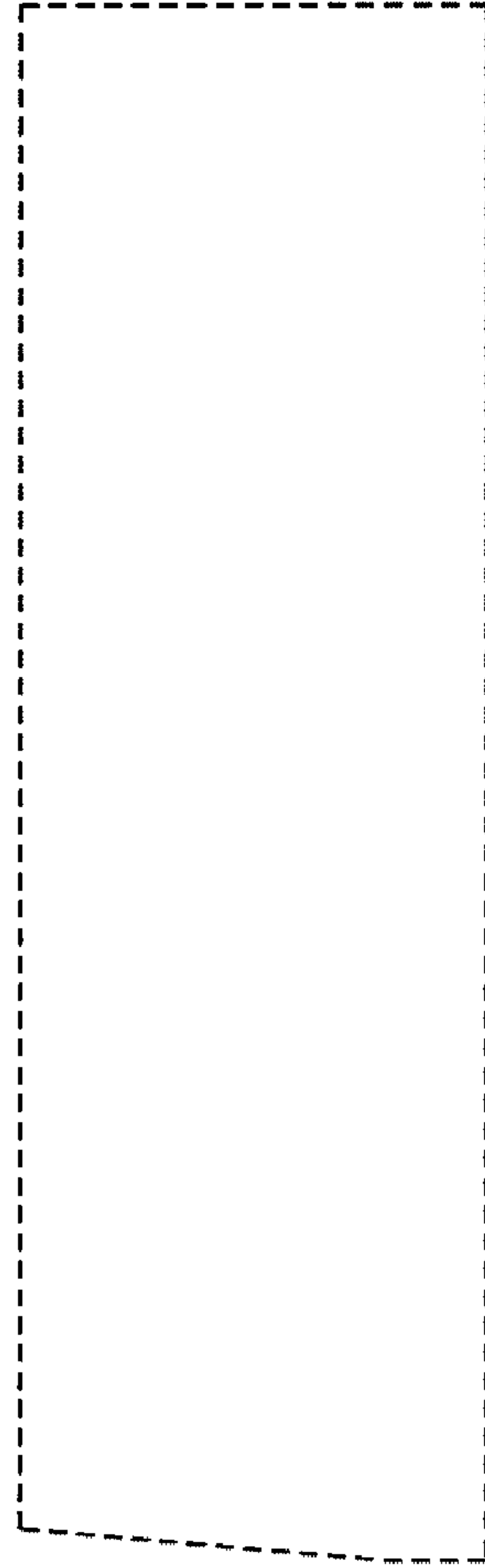
**FIG. 4**



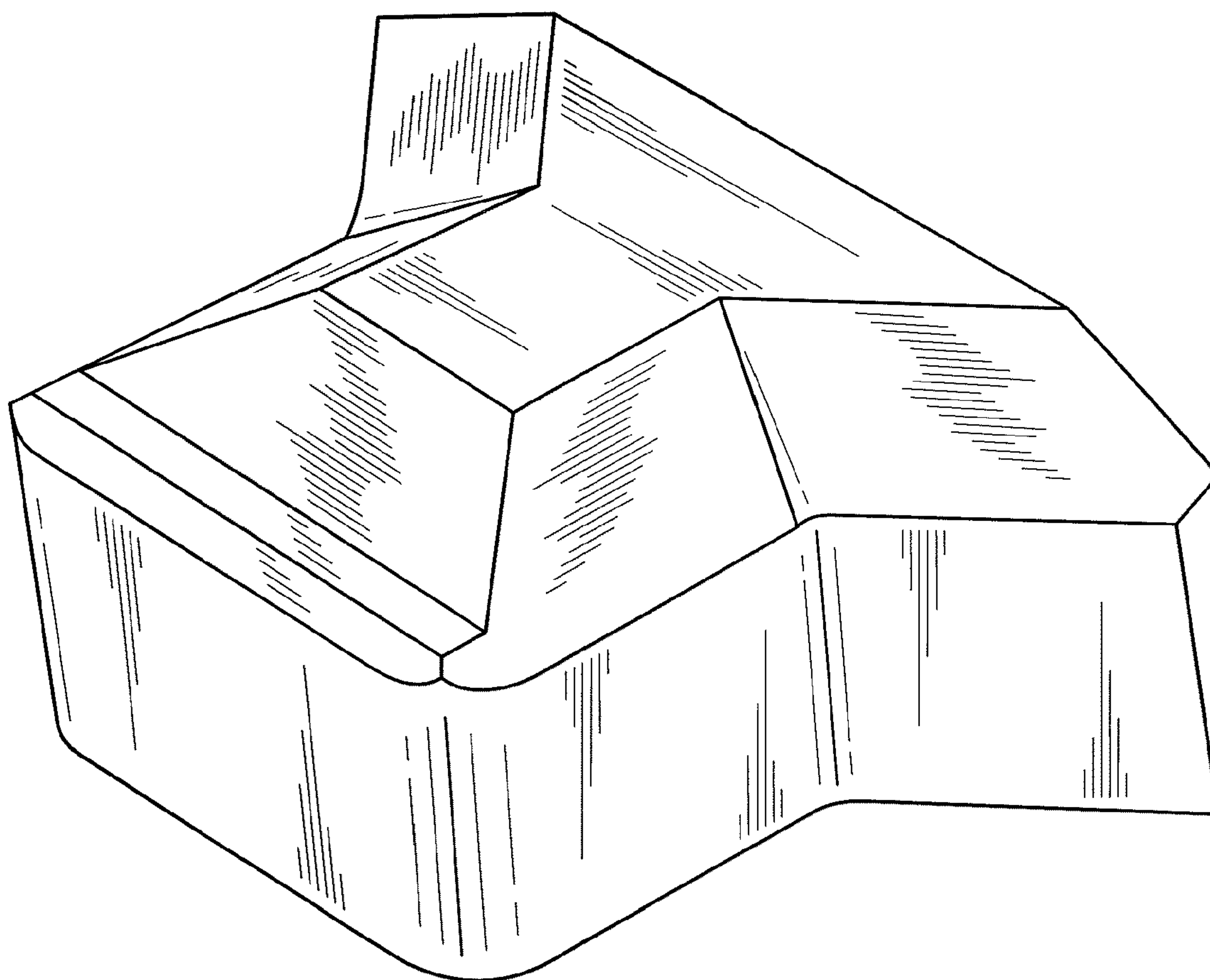
**FIG. 5**



**FIG. 6**

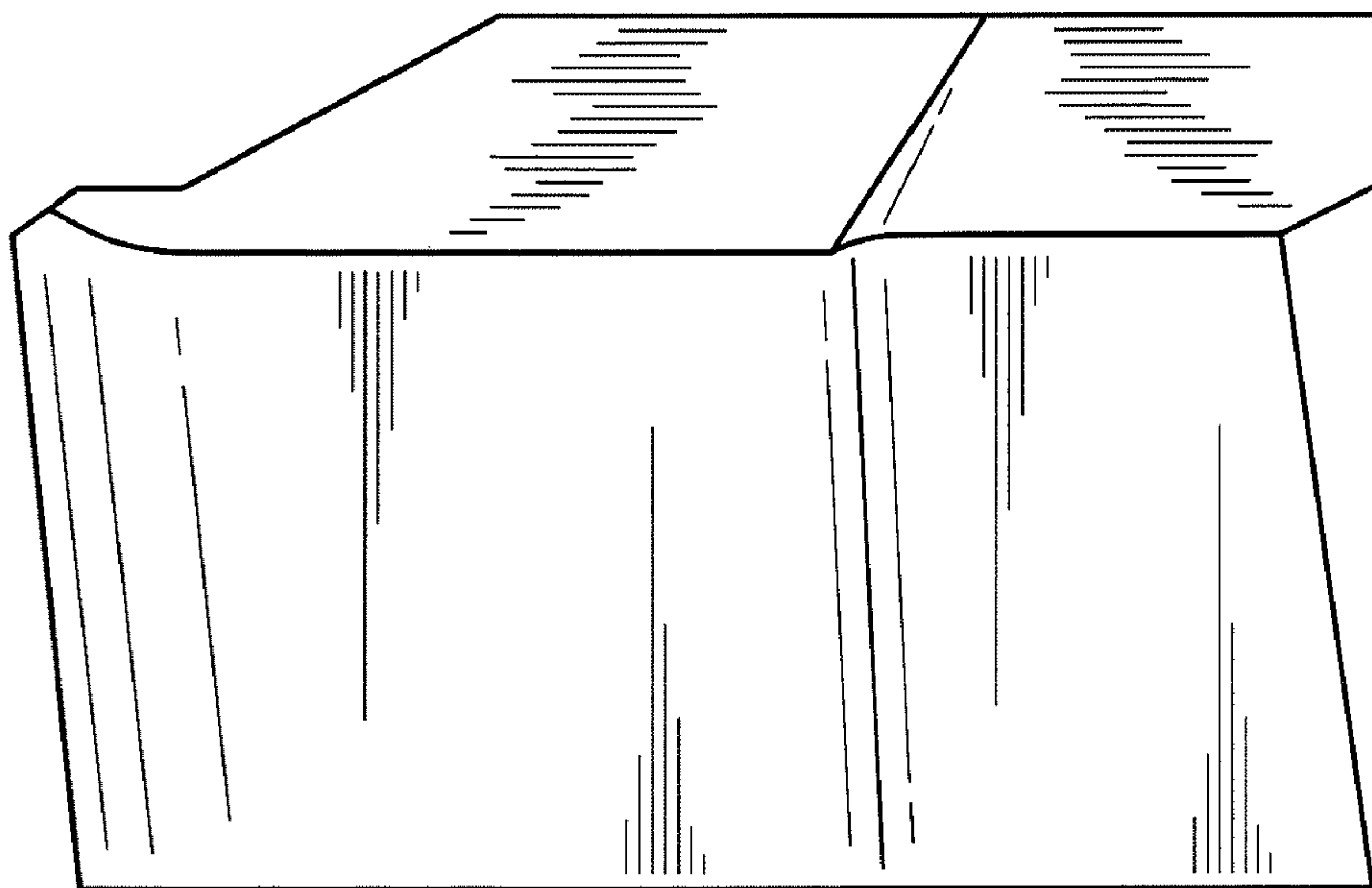


**FIG. 7**

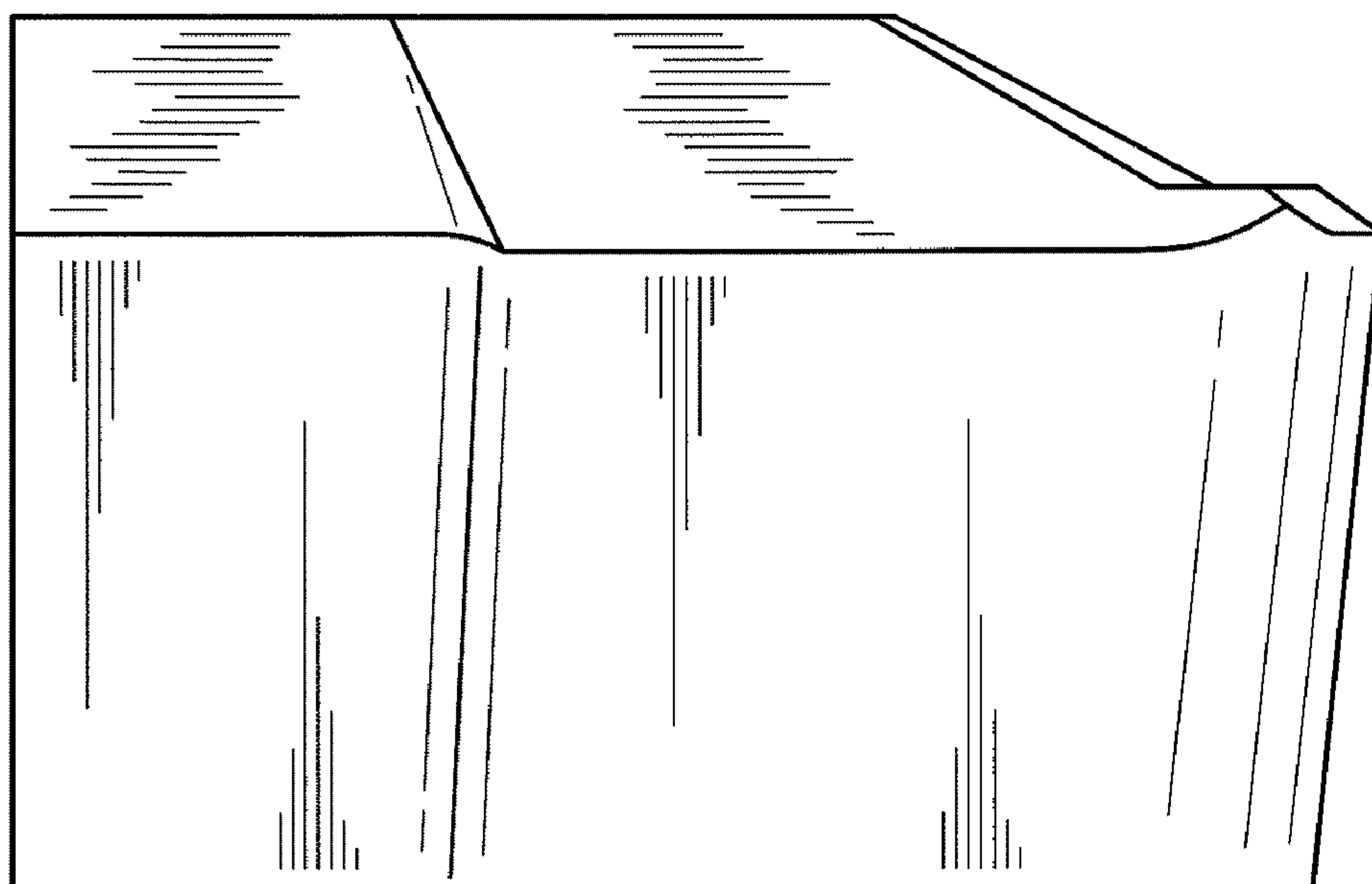


**FIG. 8**

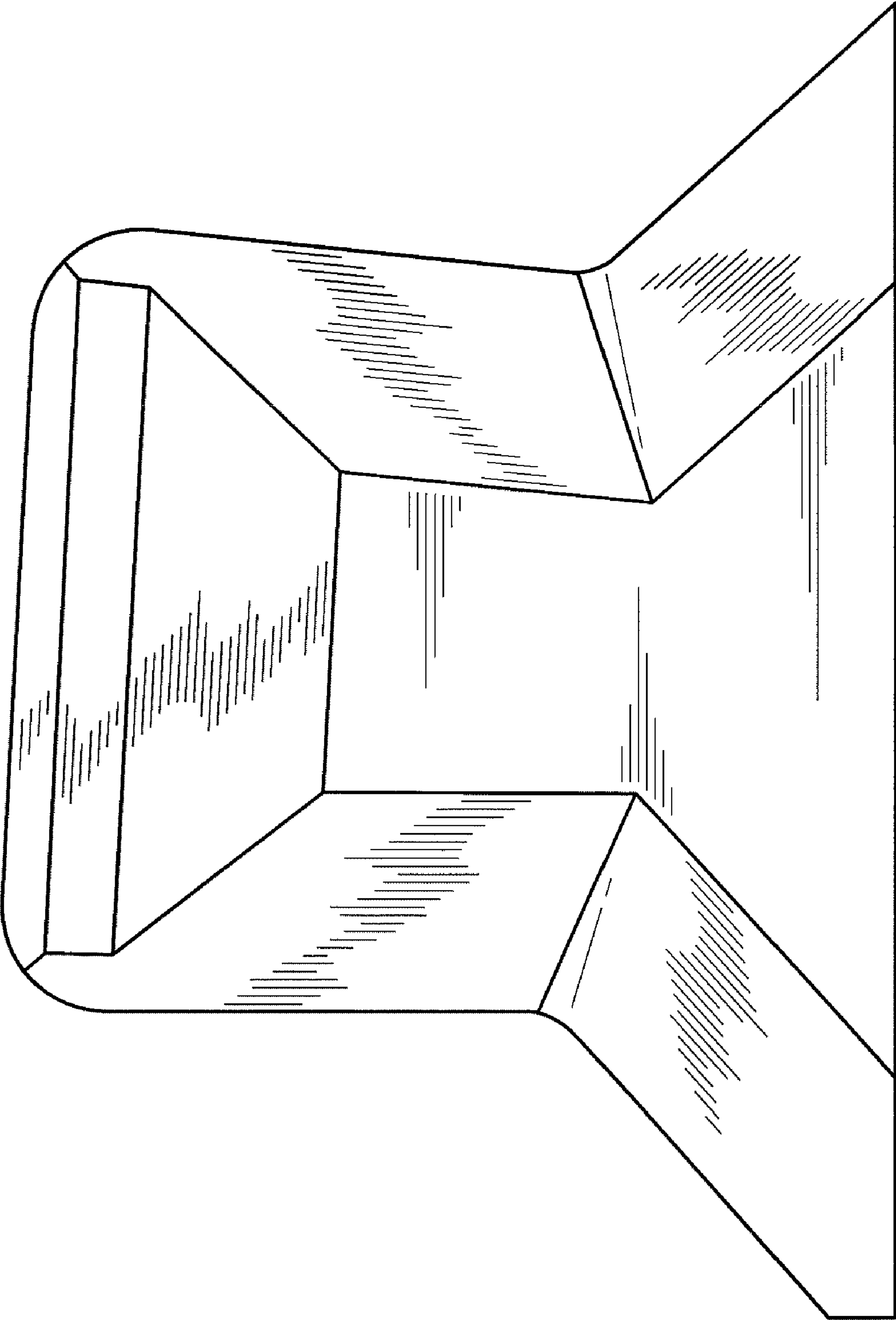




**FIG. 9**

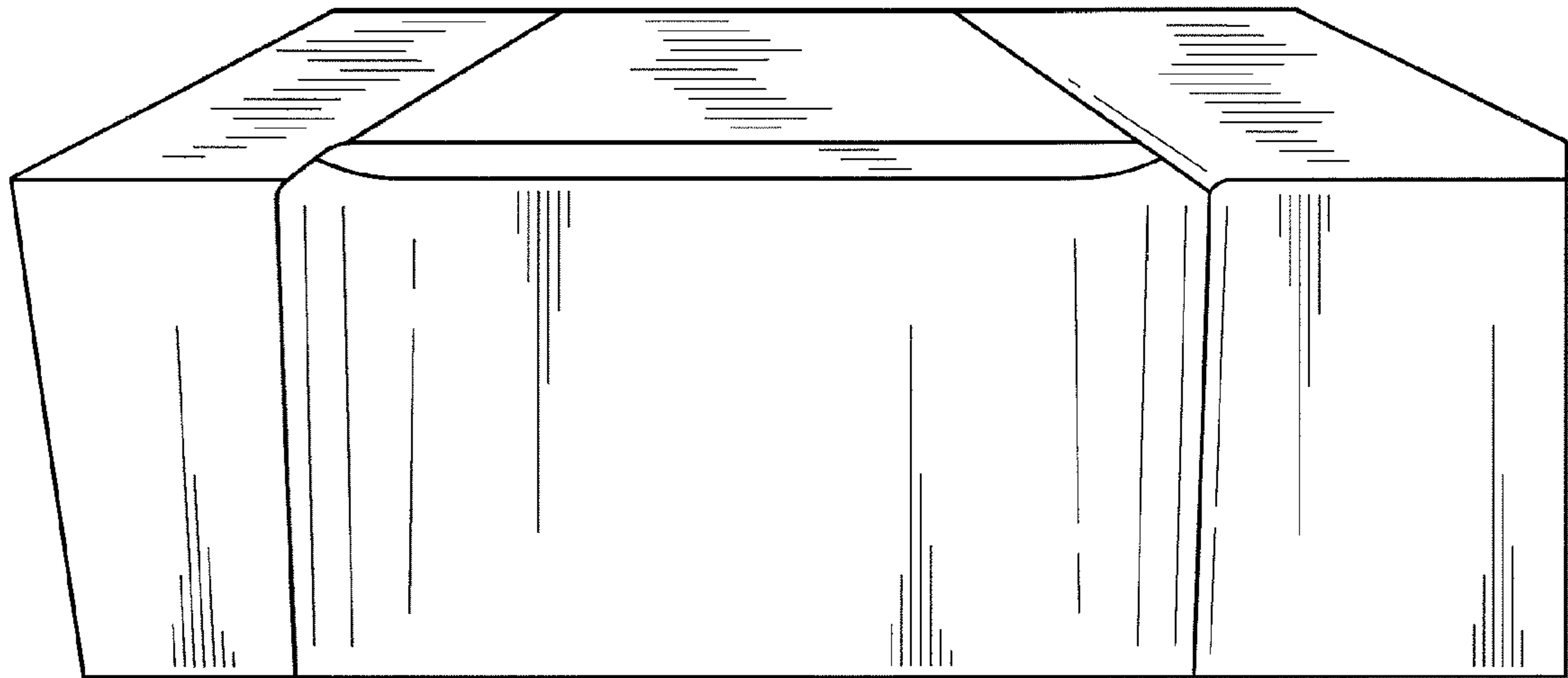


**FIG. 10**



**FIG. 11**





*FIG. 12*

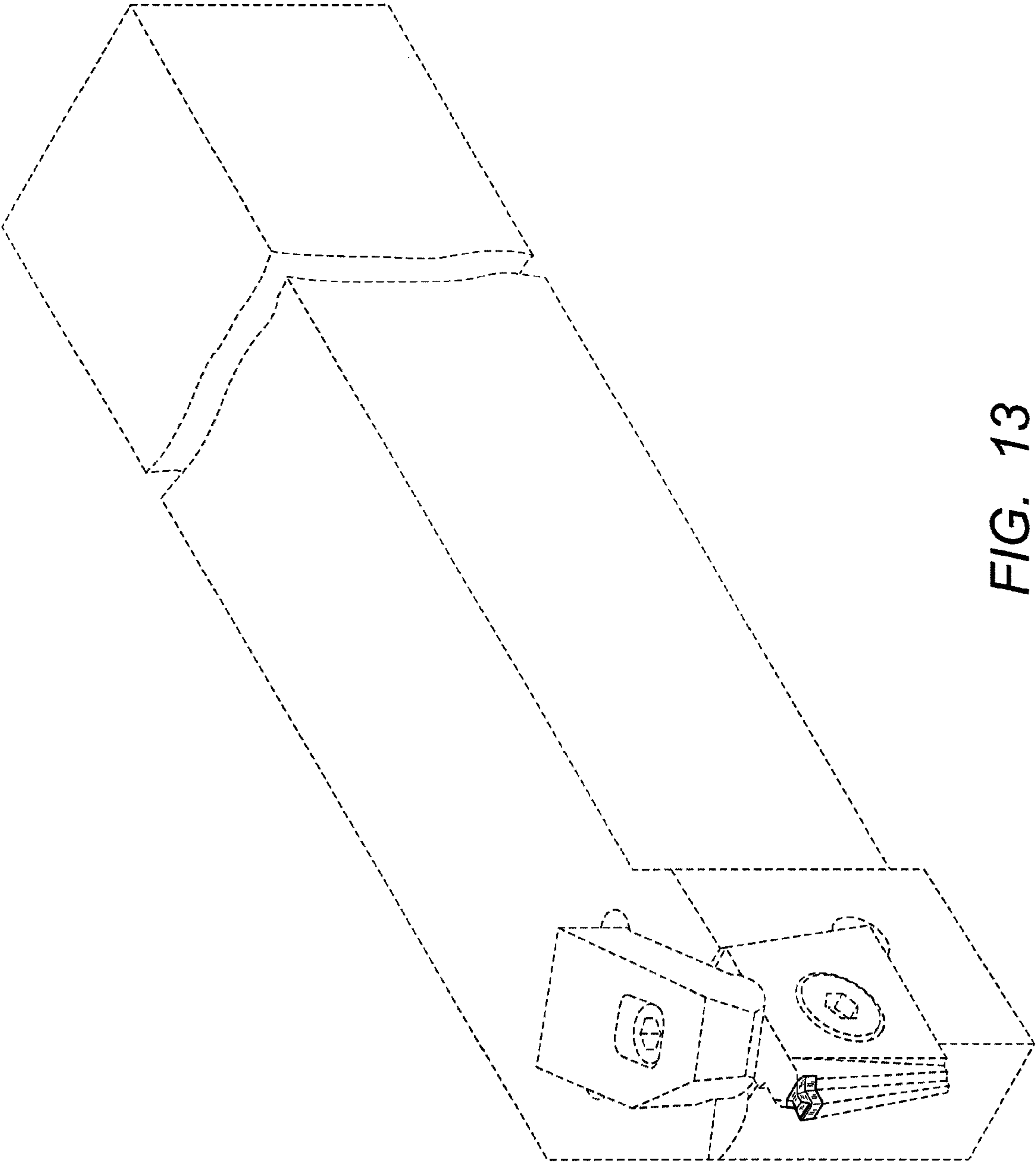


FIG. 13