



US00D631491S

(12) **United States Design Patent**
Kristiansen et al.

(10) **Patent No.:** **US D631,491 S**
(45) **Date of Patent:** **** Jan. 25, 2011**

(54) **REFRIGERATOR**

(75) Inventors: **Keith Kristiansen**, Edgewater, NJ (US);
Roland Charriez, Edgewater, NJ (US);
David Demar, Edgewater, NJ (US)

(73) Assignee: **LG Electronics Inc.**, Seoul (KR)

(**) Term: **14 Years**

(21) Appl. No.: **29/340,394**

(22) Filed: **Jul. 17, 2009**

(51) **LOC (9) Cl.** **15-07**

(52) **U.S. Cl.** **D15/86**

(58) **Field of Classification Search** D15/79,
D15/81, 85, 86, 87, 88; 62/3.1, 3.6, 3.63,
62/3.64, 246-255; 312/400-409

See application file for complete search history.

(56) **References Cited**

U.S. PATENT DOCUMENTS

D522,541 S *	6/2006	Kim et al.	D15/86
D523,033 S *	6/2006	Kim et al.	D15/86
D527,398 S *	8/2006	Kim et al.	D15/86
D601,596 S *	10/2009	Yoon et al.	D15/85
D614,209 S *	4/2010	Kristiansen et al.	D15/86
D615,564 S *	5/2010	Kristiansen et al.	D15/86

D616,001 S *	5/2010	Yang et al.	D15/86
D617,353 S *	6/2010	Jeon et al.	D15/86

* cited by examiner

Primary Examiner—Shanda C Hill

(74) *Attorney, Agent, or Firm*—Morgan, Lewis & Bockius LLP

(57) **CLAIM**

The ornamental design for a refrigerator, as shown and described.

DESCRIPTION

FIG. 1 is a perspective view of a refrigerator showing our new design;

FIG. 2 is a front view thereof;

FIG. 3 is a rear view thereof;

FIG. 4 is a left side view thereof where the right side view is a mirror image;

FIG. 5 is a top plan view thereof;

FIG. 6 is a bottom plan view thereof; and,

FIG. 7 is a perspective view thereof, shown in an open condition.

1 Claim, 7 Drawing Sheets

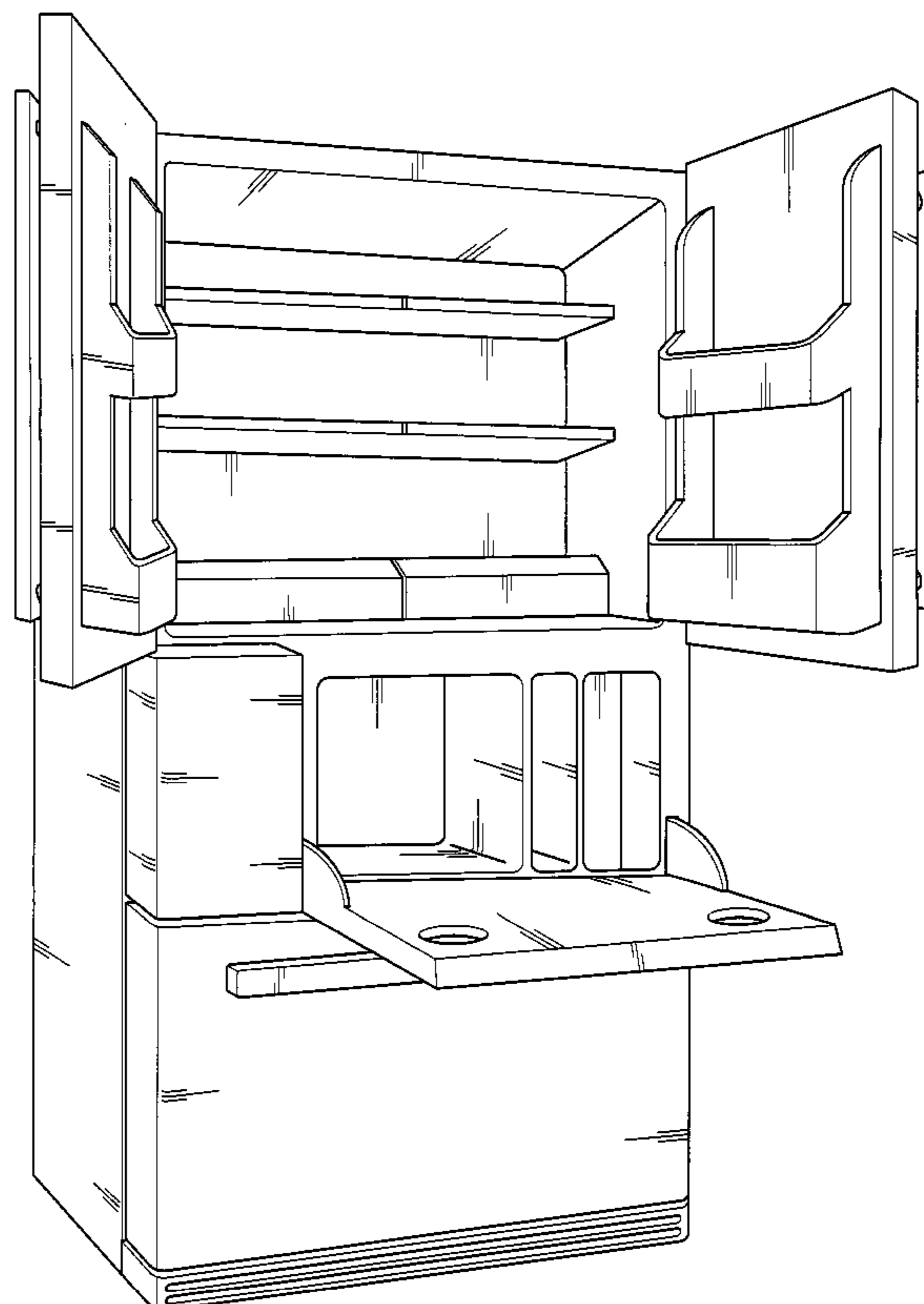
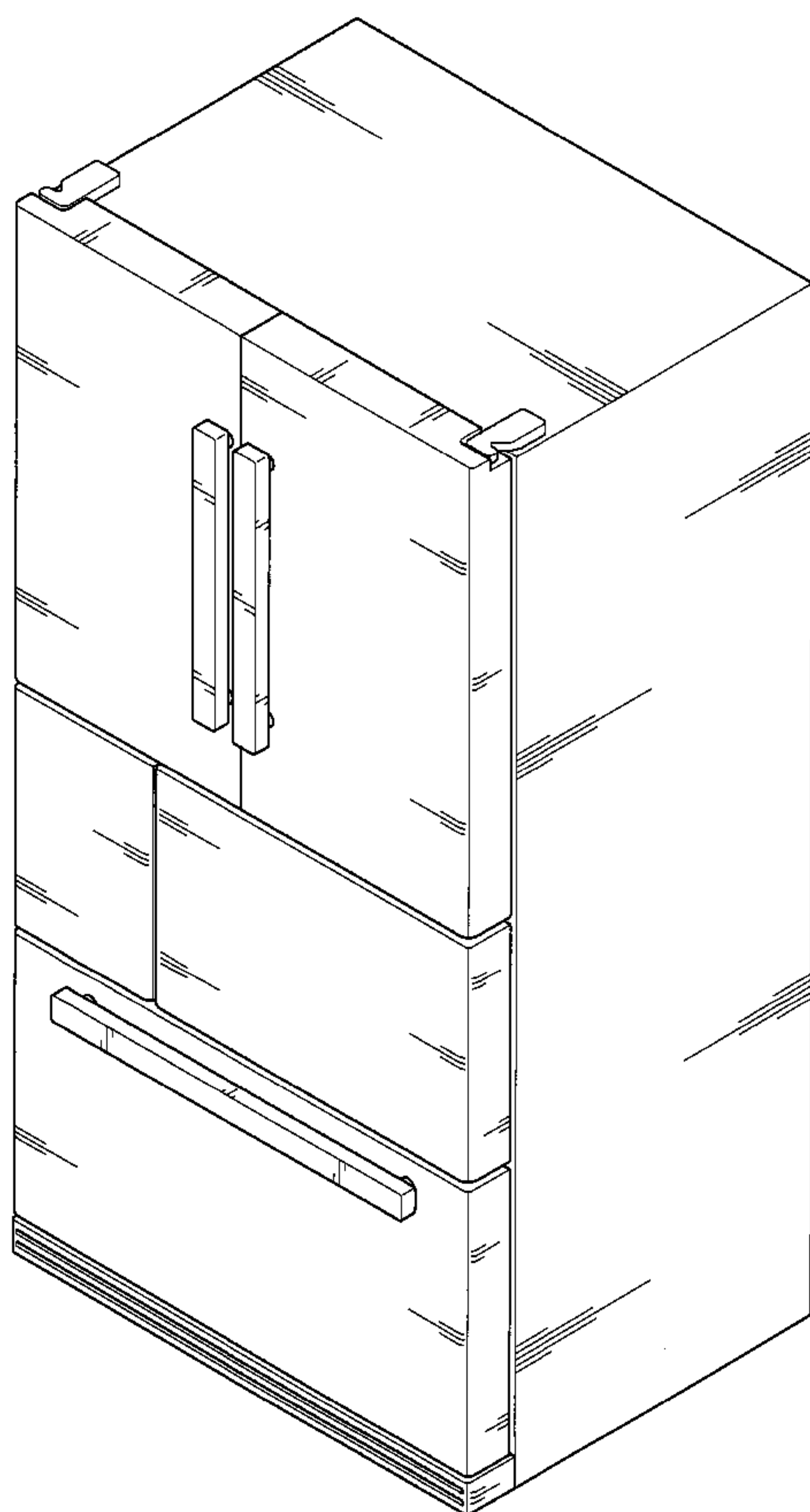


FIG. 1

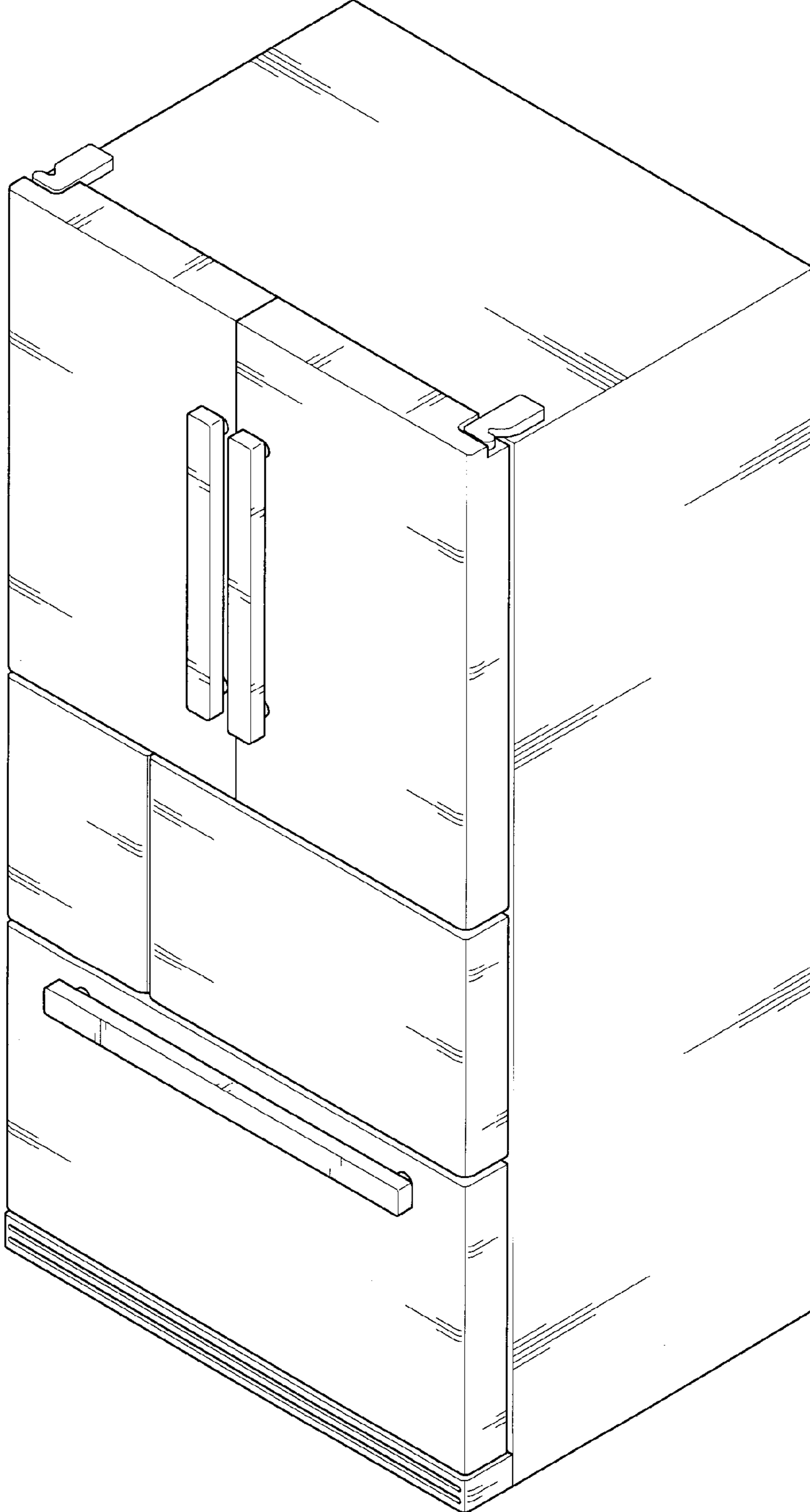


FIG. 2

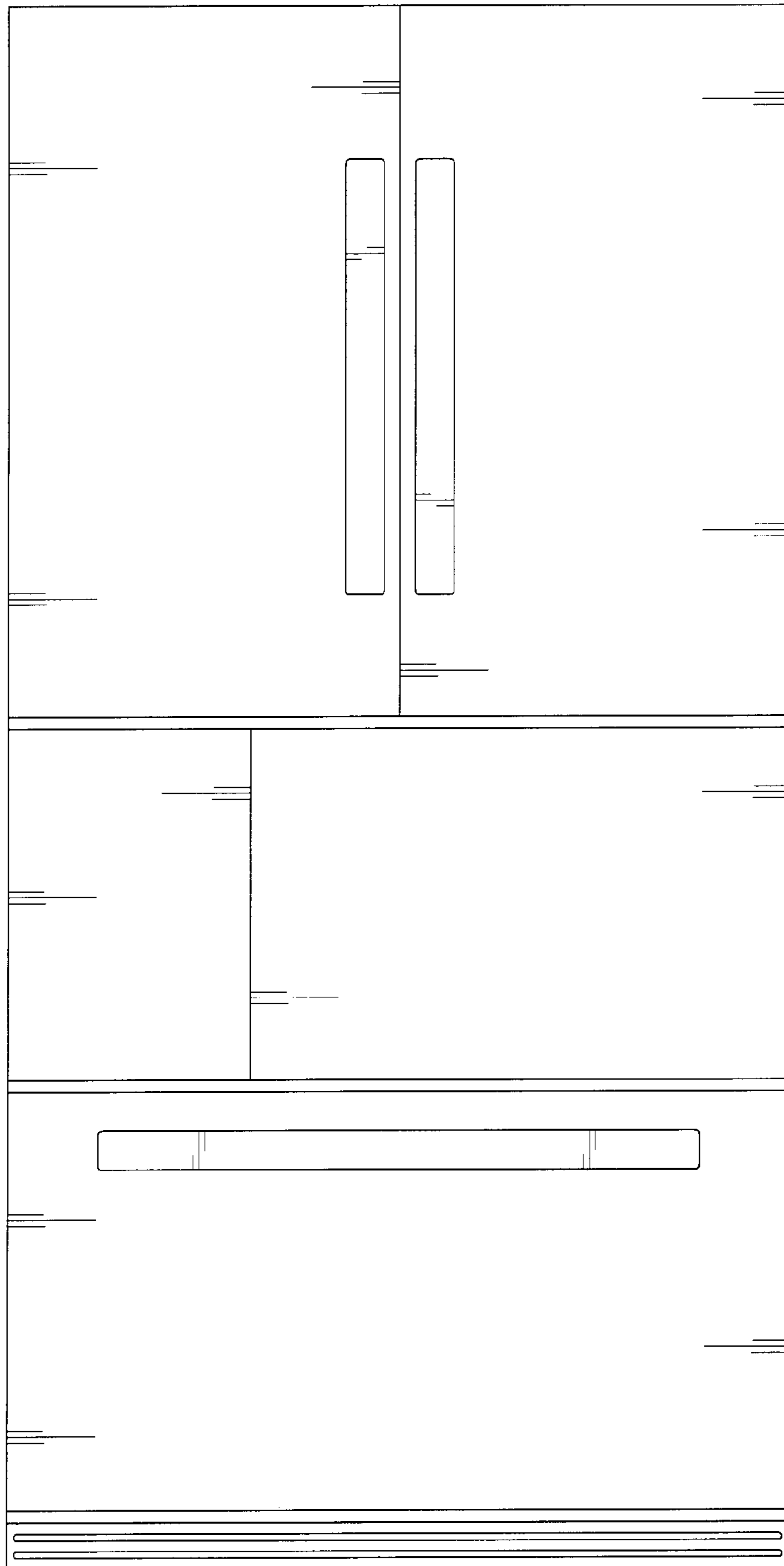


FIG. 3

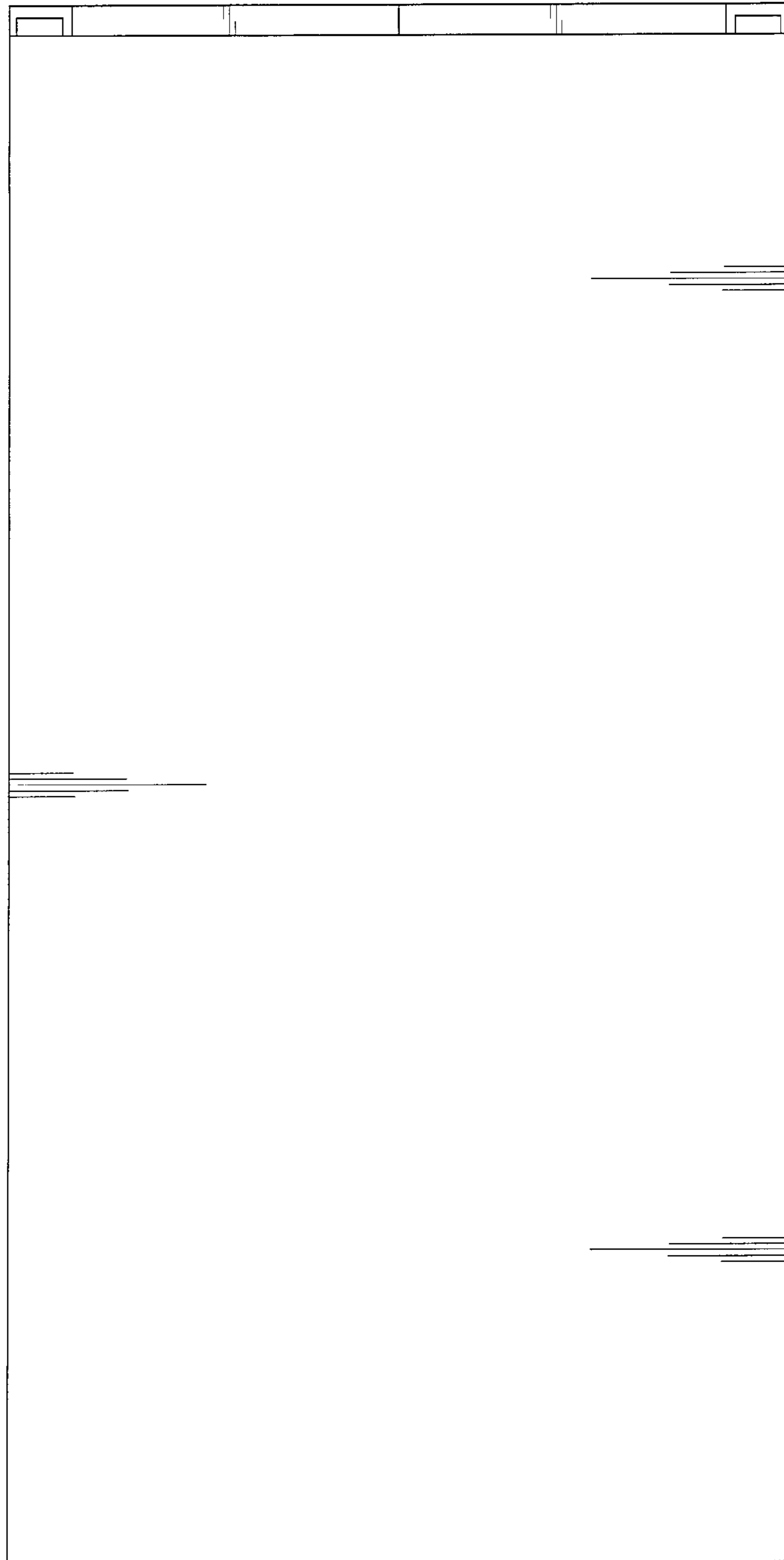


FIG. 4

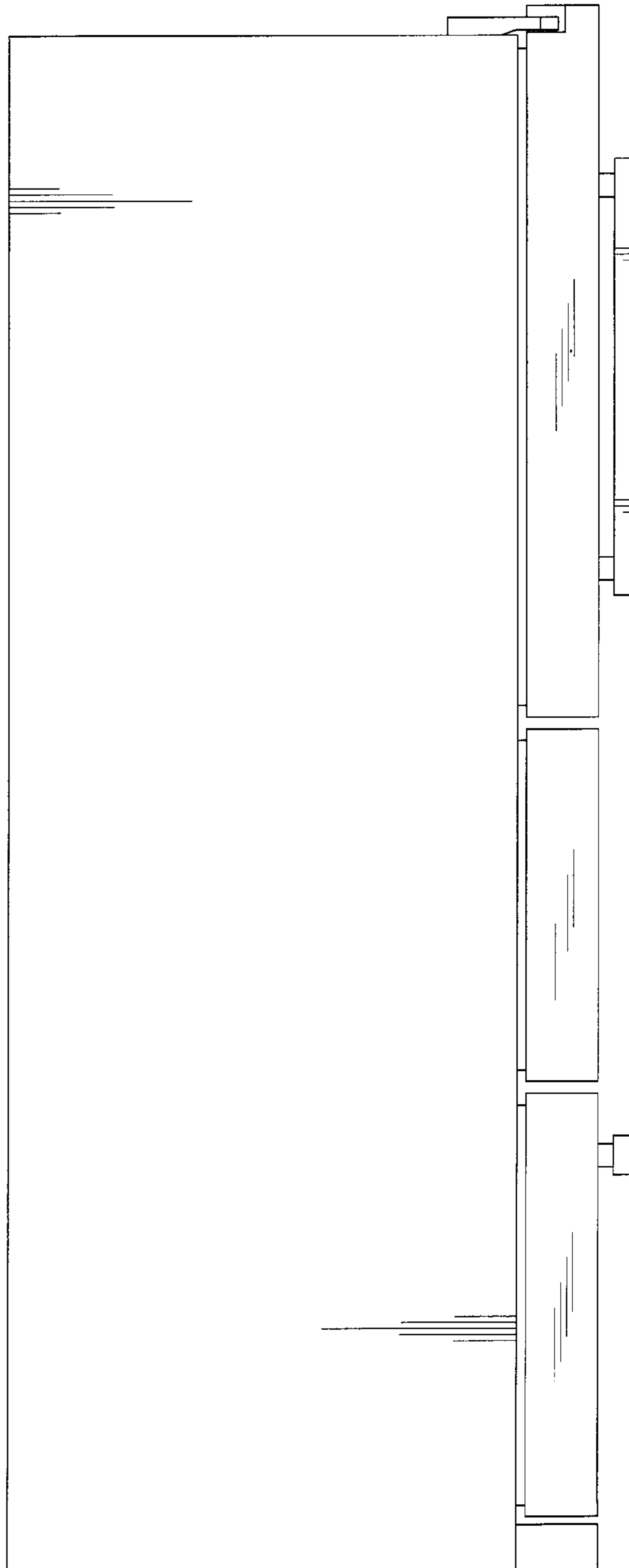


FIG. 5

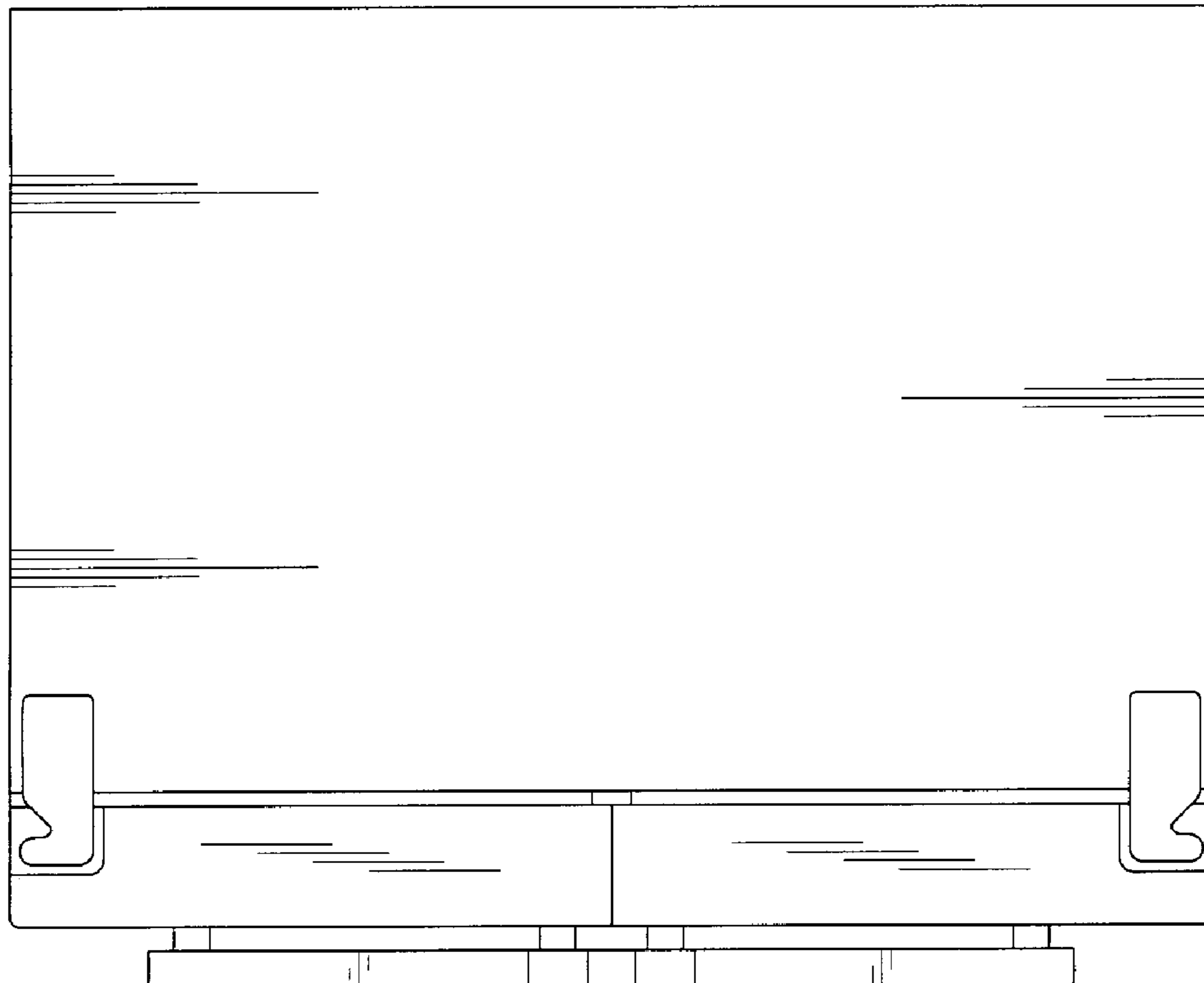


FIG. 6

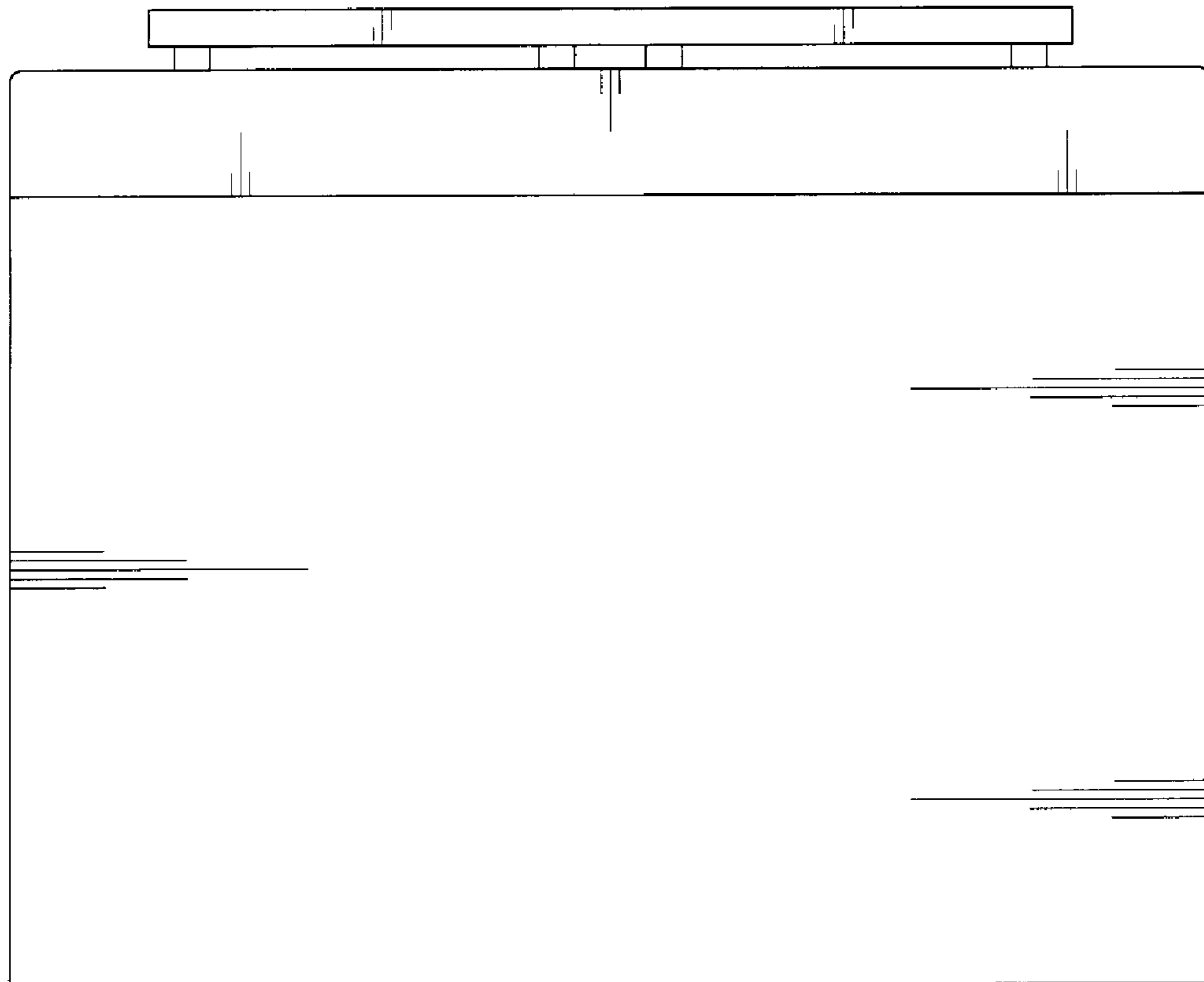


FIG. 7

