



US00D631490S

(12) **United States Design Patent**  
**Drager et al.**

(10) **Patent No.:** **US D631,490 S**  
(45) **Date of Patent:** **\*\* Jan. 25, 2011**

(54) **EXCAVATOR LIP**

(75) Inventors: **Andrew Drager**, Goodna (AU); **Miguel Guimaraes**, Mackay (AU); **Paul Heaphy**, Stafford (AU); **Martial Vicq**, Colmar (FR); **Gérard Weber**, Meyenheim (FR)

(73) Assignee: **CQMS Pty Ltd**, Mackay, Queensland (AU)

(\*\*) Term: **14 Years**

(21) Appl. No.: **29/363,462**

(22) Filed: **Jun. 9, 2010**

(51) **LOC (9) Cl.** ..... **15-03**

(52) **U.S. Cl.** ..... **D15/32**

(58) **Field of Classification Search** ..... D15/28, D15/29, 32; 403/378, 379.5, 379; 37/466, 37/444, 448, 450-459, 446, 447, 449, 195; 172/701.3, 772, 772.5, 753, 713

See application file for complete search history.

(56) **References Cited**

U.S. PATENT DOCUMENTS

3,664,044	A *	5/1972	Hahn	.....	37/456
D249,088	S *	8/1978	Dahlberg	.....	D15/32
6,230,424	B1 *	5/2001	Renski et al.	.....	37/446
6,434,865	B2 *	8/2002	Renski et al.	.....	37/446
6,457,268	B1 *	10/2002	Perry et al.	.....	37/403
6,751,897	B2 *	6/2004	Bierwith	.....	37/446
6,952,892	B1 *	10/2005	Bierwith	.....	37/195

7,080,470	B2 *	7/2006	Jones	.....	37/452
7,559,162	B2 *	7/2009	Bierwith	.....	37/444
2003/0093928	A1 *	5/2003	Bierwith	.....	37/466
2004/0216335	A1 *	11/2004	Jones	.....	37/453
2005/0241194	A1 *	11/2005	Bierwith	.....	37/455
2005/0241195	A1 *	11/2005	Bierwith	.....	37/456
2005/0284006	A1 *	12/2005	Jones	.....	37/446

\* cited by examiner

*Primary Examiner*—Mark A Goodwin

(74) *Attorney, Agent, or Firm*—Wong, Cabello, Lutsch, Rutherford & Bruculeri, L.L.P.

(57) **CLAIM**

The ornamental design for an excavator lip, as shown and described.

**DESCRIPTION**

FIG. 1 is a top view of an excavator lip showing our new design;

FIG. 2 is an underside view thereof;

FIG. 3 is a front view thereof;

FIG. 4 is a left side view thereof;

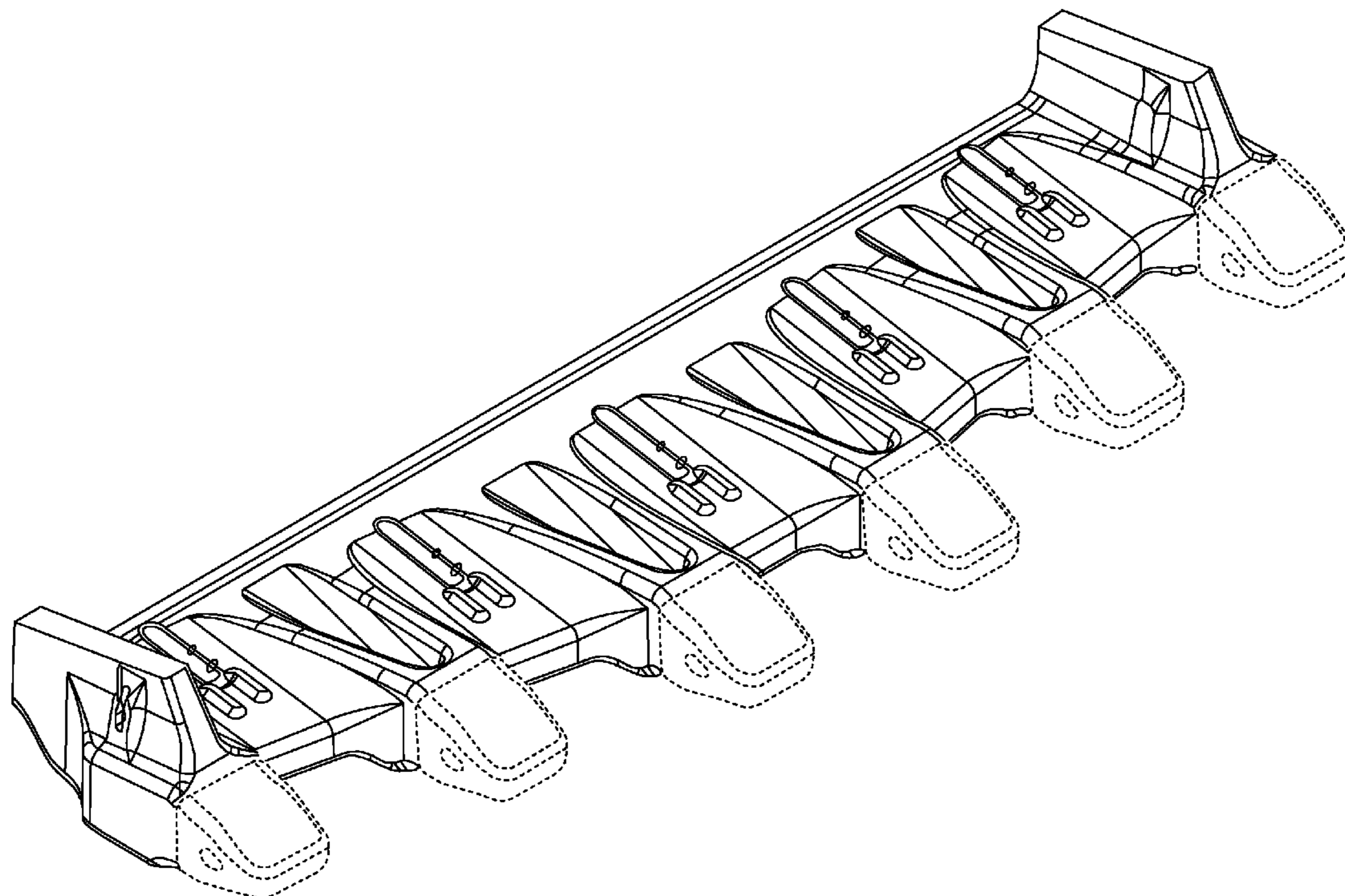
FIG. 5 is a right view thereof;

FIG. 6 is a rear view thereof; and,

FIG. 7 is a top perspective view thereof.

The broken line showing of excavator teeth is included for the purpose of illustrating environmental structure and forms no part of the claimed design.

**1 Claim, 3 Drawing Sheets**



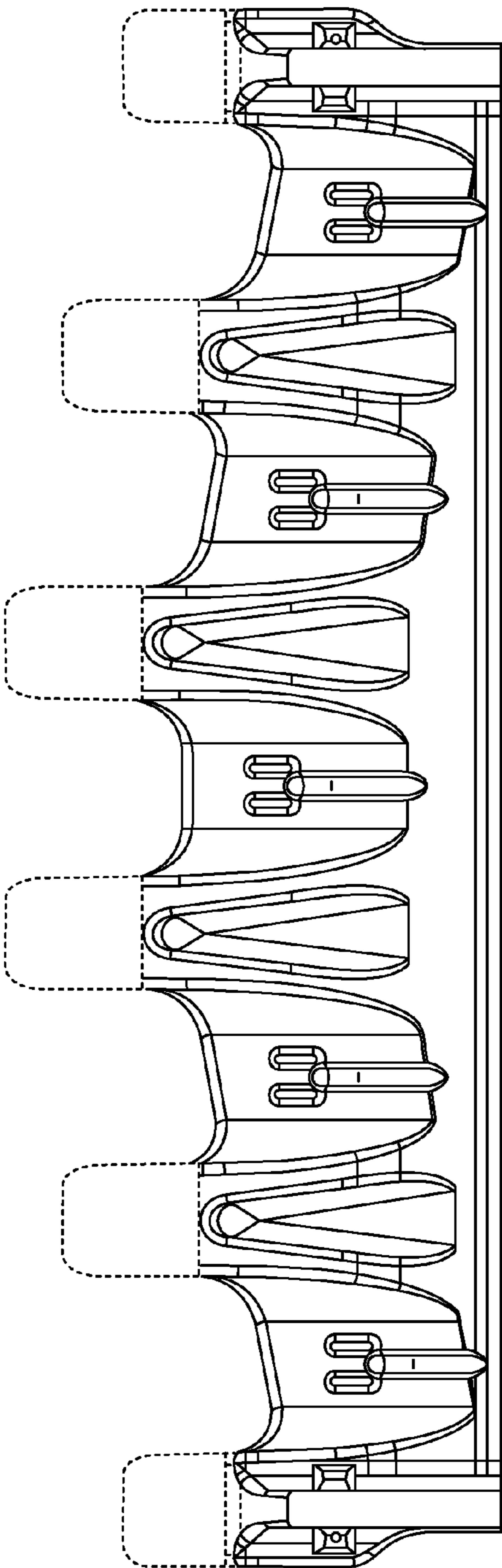


FIG. 1

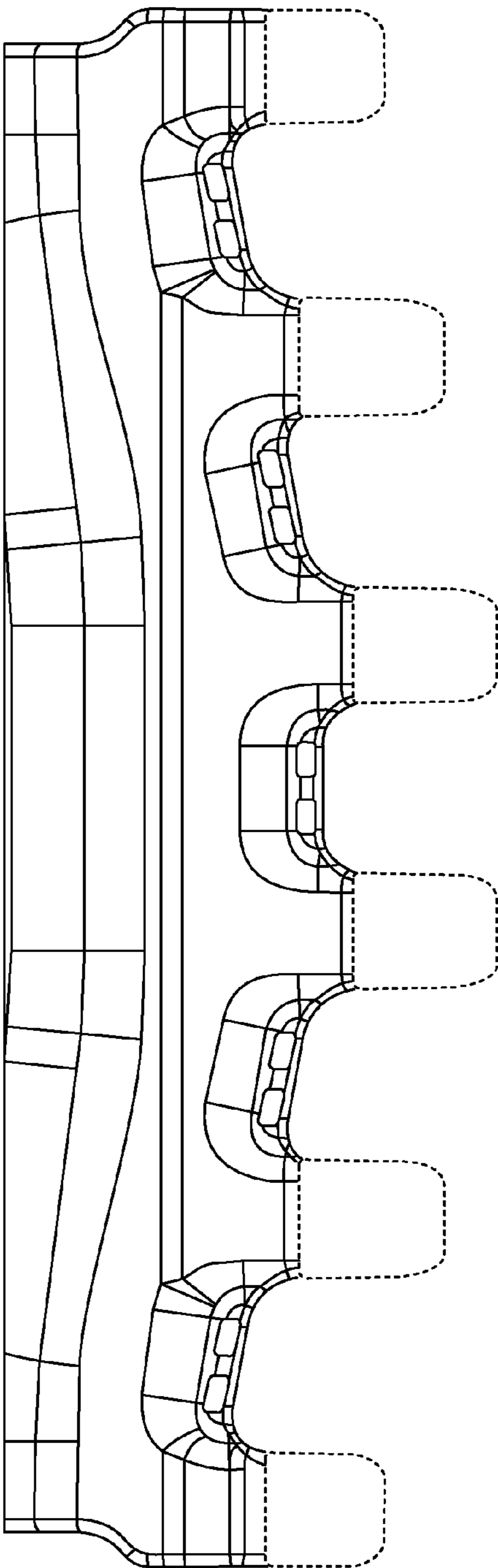


FIG. 2

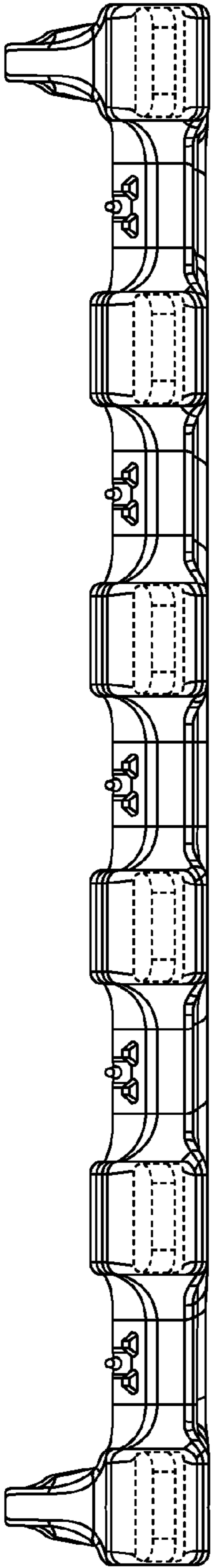


FIG. 3

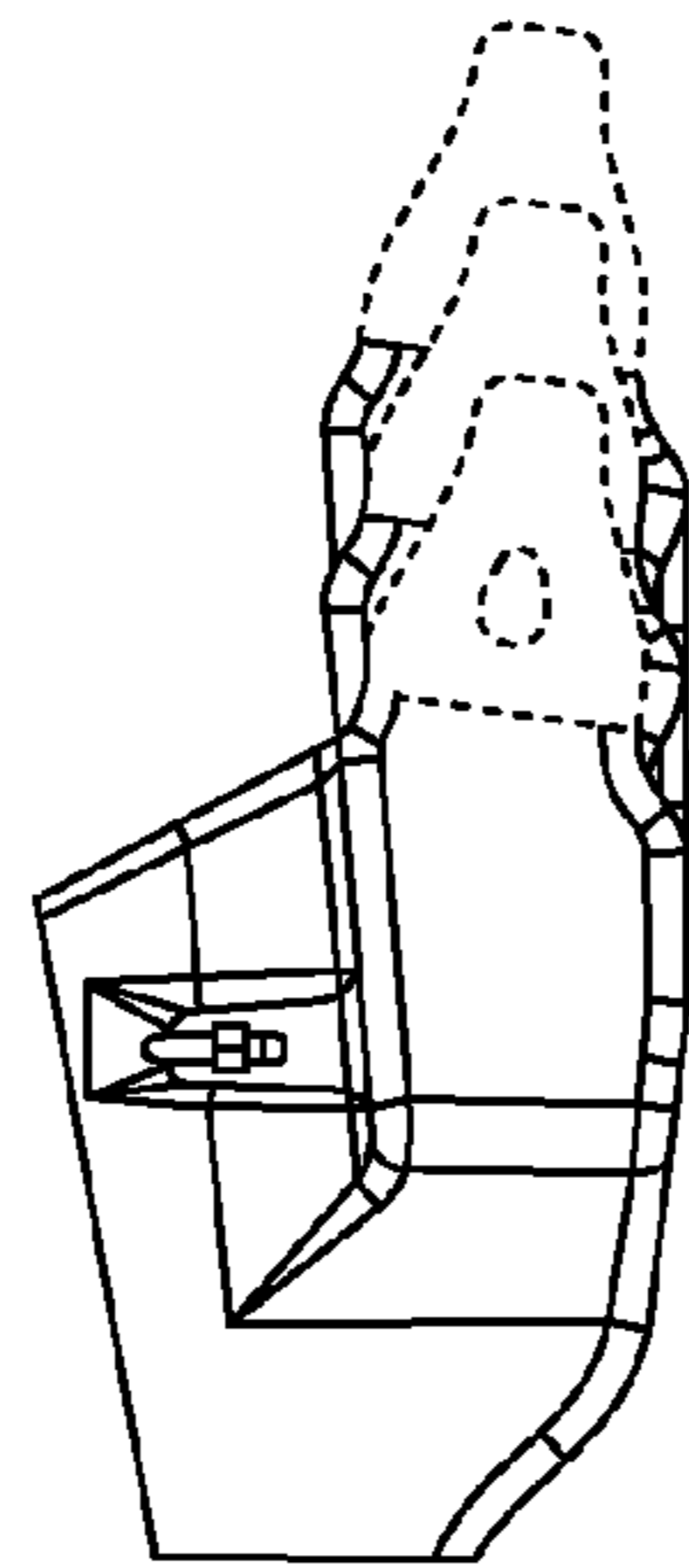


FIG. 4

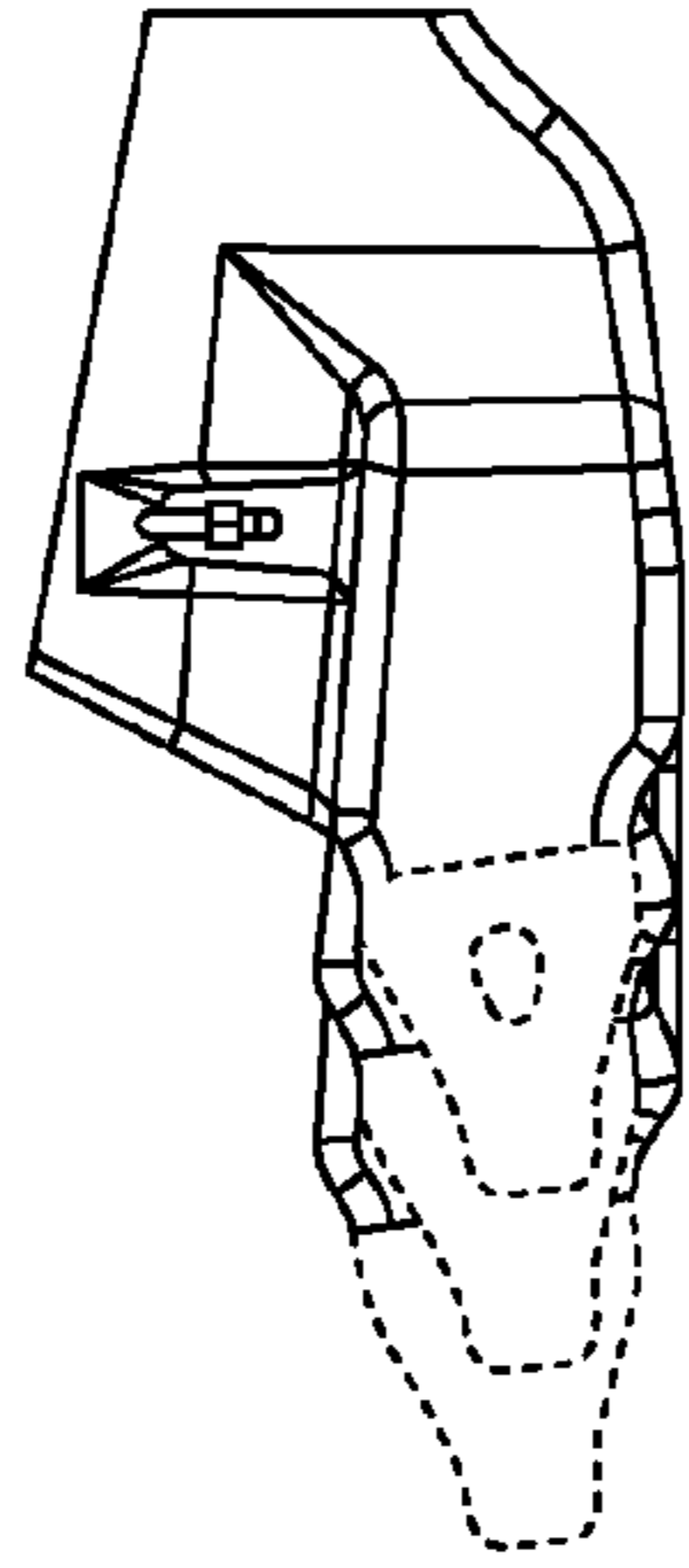


FIG. 5

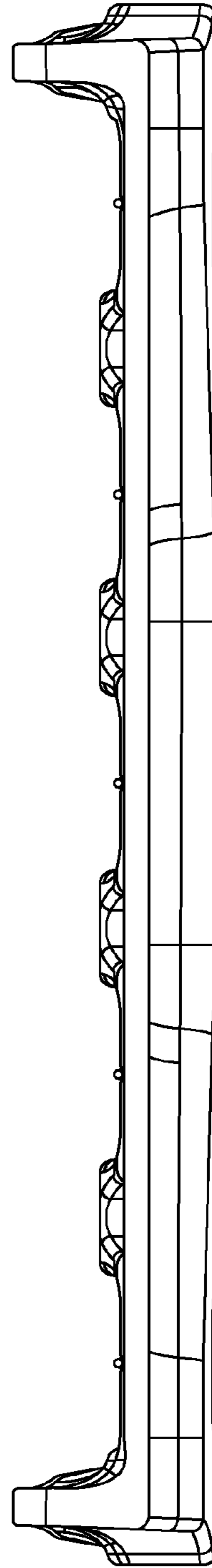


FIG. 6

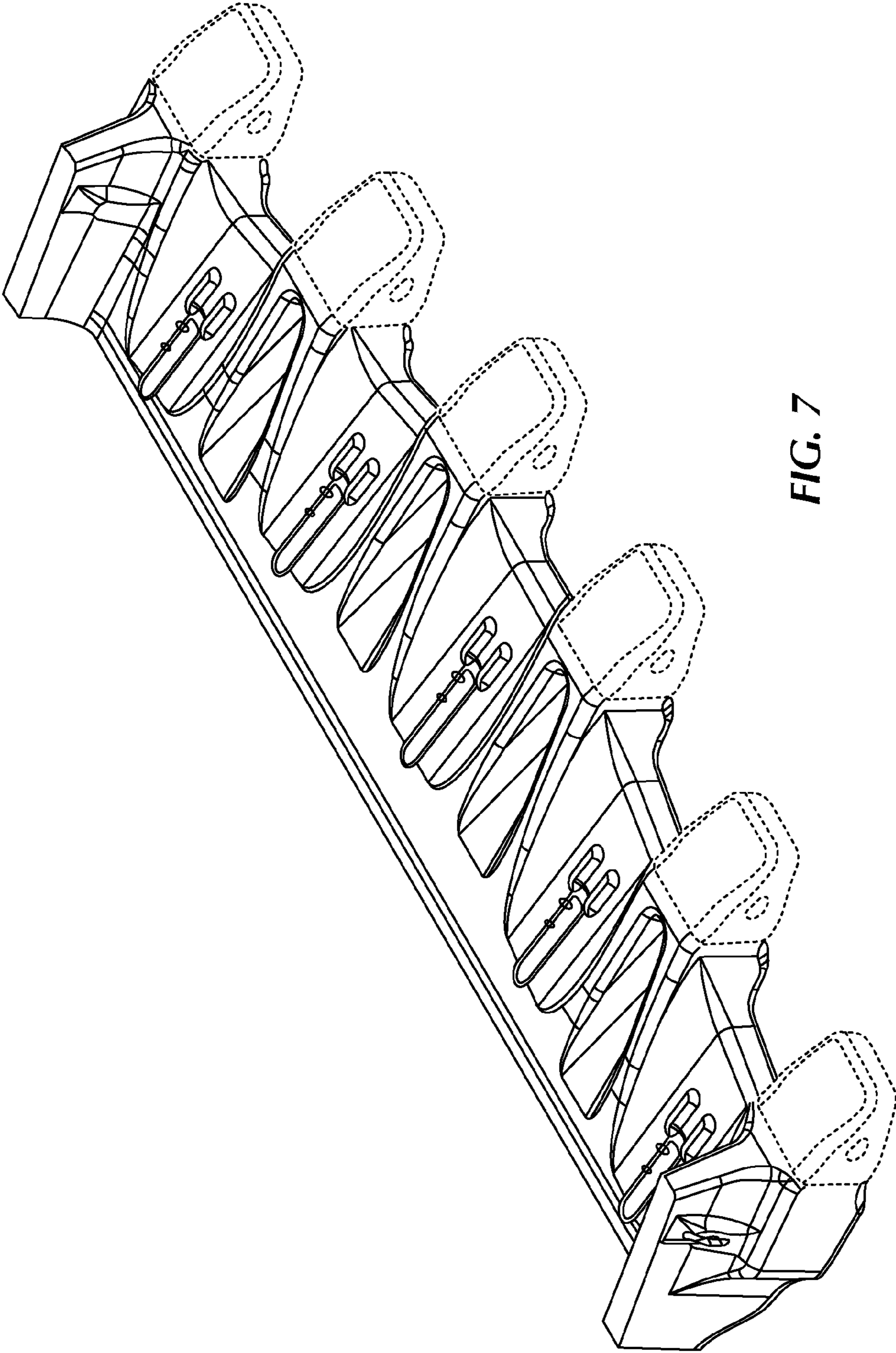


FIG. 7

UNITED STATES PATENT AND TRADEMARK OFFICE  
**CERTIFICATE OF CORRECTION**

PATENT NO. : D631,490 S  
APPLICATION NO. : 29/363462  
DATED : January 25, 2011  
INVENTOR(S) : Andrew Drager et al.

Page 1 of 1

It is certified that error appears in the above-identified patent and that said Letters Patent is hereby corrected as shown below:

On the Title Page insert item (30):

--Foreign Application Priority Data  
December 11, 2009 (AU).....14861/2009--

Signed and Sealed this  
Fifth Day of April, 2011

A handwritten signature in black ink that reads "David J. Kappos". The signature is written in a cursive, slightly slanted style.

David J. Kappos  
*Director of the United States Patent and Trademark Office*