



US00D631489S

(12) **United States Design Patent**
Booth et al.

(10) **Patent No.:** **US D631,489 S**
(45) **Date of Patent:** **** Jan. 25, 2011**

(54) **TRACTOR HOOD PORTION**

(75) Inventors: **Davis S. Booth**, Fargo, ND (US);
Russell Stoltman, Argusville, ND (US);
Bryan Garberg, Moorhead, MN (US);
Carl Hagele, Chicago, IL (US)

(73) Assignee: **CNH America LLC**, New Holland, PA (US)

(**) Term: **14 Years**

(21) Appl. No.: **29/364,137**

(22) Filed: **Jun. 18, 2010**

(51) **LOC (9) Cl.** **15-03**

(52) **U.S. Cl.** **D15/31**

(58) **Field of Classification Search** D15/10,
D15/11, 13-17, 28, 22-26, 31; D12/173;
56/13.3, 13.4, 15.8, 15.9, 320.1; 180/89.1,
180/89.12, 900, 69.2, 68.1, 69.1

See application file for complete search history.

(56) **References Cited**

U.S. PATENT DOCUMENTS

D246,370 S *	11/1977	Lorenz	D15/31
D297,330 S *	8/1988	Monehaie et al.	D15/31
D371,372 S *	7/1996	Westimayer et al.	D15/31
D381,025 S *	7/1997	Bataille	D15/31
D383,470 S *	9/1997	Westimayer et al.	D15/31
D389,492 S *	1/1998	Schmidt et al.	D15/31
5,803,198 A *	9/1998	Baxter et al.	180/69.21
D413,905 S *	9/1999	Schmidt et al.	D15/31
6,167,977 B1 *	1/2001	Adamson et al.	180/69.2
D448,037 S *	9/2001	Westimayer et al.	D15/31
D451,106 S	11/2001	Crookes et al.		
D458,944 S	6/2002	Crookes et al.		
D483,383 S *	12/2003	Crookes et al.	D15/31
D488,488 S *	4/2004	Montgomery et al.	D15/31
D488,489 S *	4/2004	Montgomery et al.	D15/31
D495,344 S	8/2004	Farlow et al.		
D495,345 S	8/2004	Farlow et al.		

D512,079 S	11/2005	Farlow et al.		
D512,445 S	12/2005	Farlow et al.		
D520,527 S	5/2006	Crookes et al.		
D546,351 S	7/2007	Arthur et al.		
D554,669 S *	11/2007	Crookes et al.	D15/31
D560,693 S *	1/2008	Moen et al.	D15/31
D570,382 S *	6/2008	Higashikawa	D15/31
D586,828 S	2/2009	Staines et al.		
D591,777 S *	5/2009	Kokitkar et al.	D15/31
D613,776 S	4/2010	Bianco et al.		
D613,777 S	4/2010	Bianco et al.		

OTHER PUBLICATIONS

New Holland Agriculture, T8000 Series Tractors 175-270 PTO hp brochure NH5230703.050840, pp. 1-23, 2008, USA.

New Holland Agriculture, T4000 Series Utility Tractors 64-95 HP brochure NH1100801.020850, pp. 1-23, 2008, USA.

* cited by examiner

Primary Examiner—Mark A Goodwin

(74) *Attorney, Agent, or Firm*—Patrick M. Sheldrake; Michael G. Harms

(57) **CLAIM**

We claim the ornamental design for the tractor hood portion, as shown and described.

DESCRIPTION

FIG. 1 is a front perspective view of a tractor hood portion showing our new design;

FIG. 2 is a front view thereof;

FIG. 3 is a top view thereof;

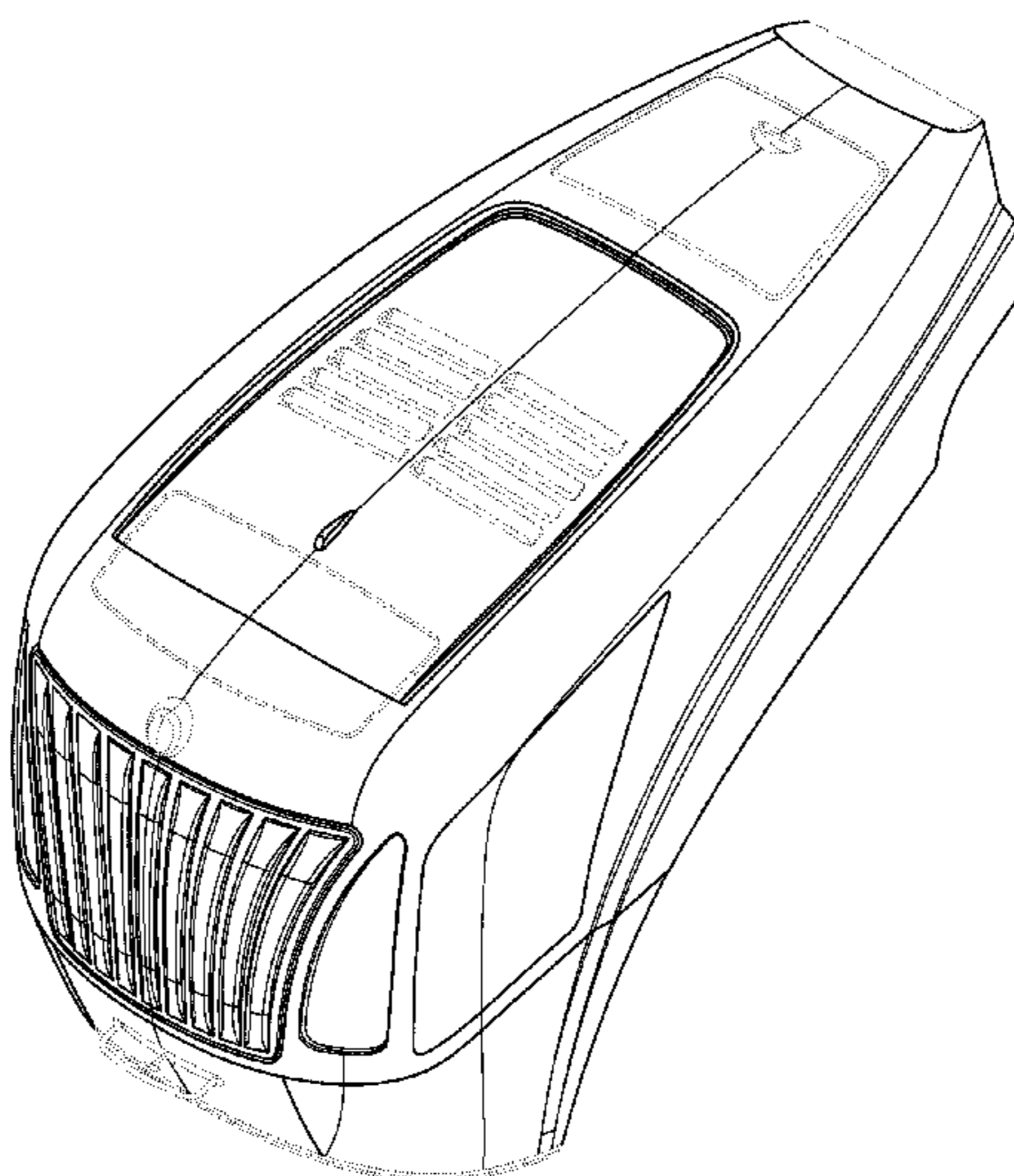
FIG. 4 is a side view thereof, the opposite side view being identical thereto;

FIG. 5 is a rear view thereof; and,

FIG. 6 is a bottom view thereof.

The broken lines are for illustrative purposes only and form no part of the claimed design.

1 Claim, 6 Drawing Sheets



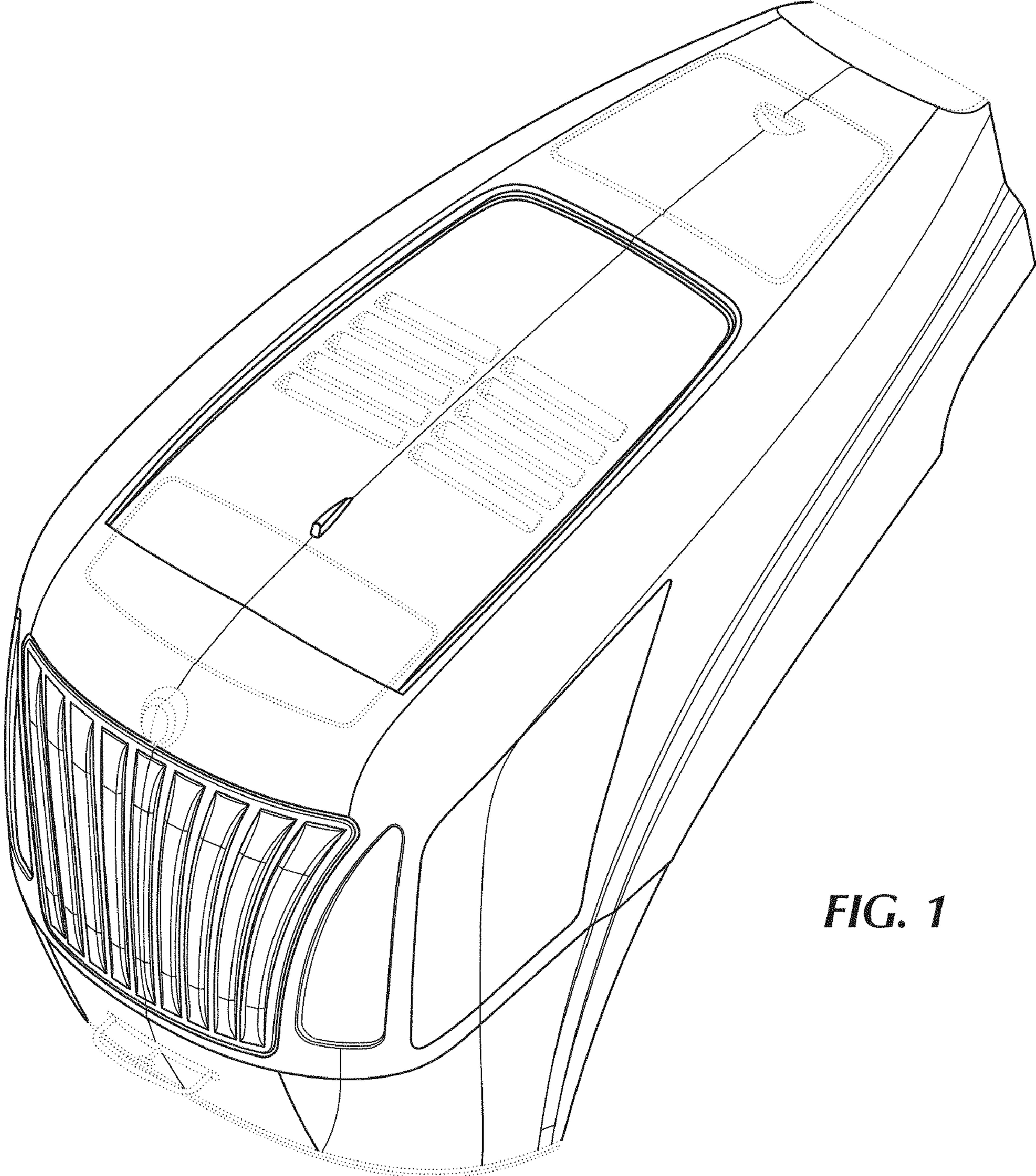


FIG. 1

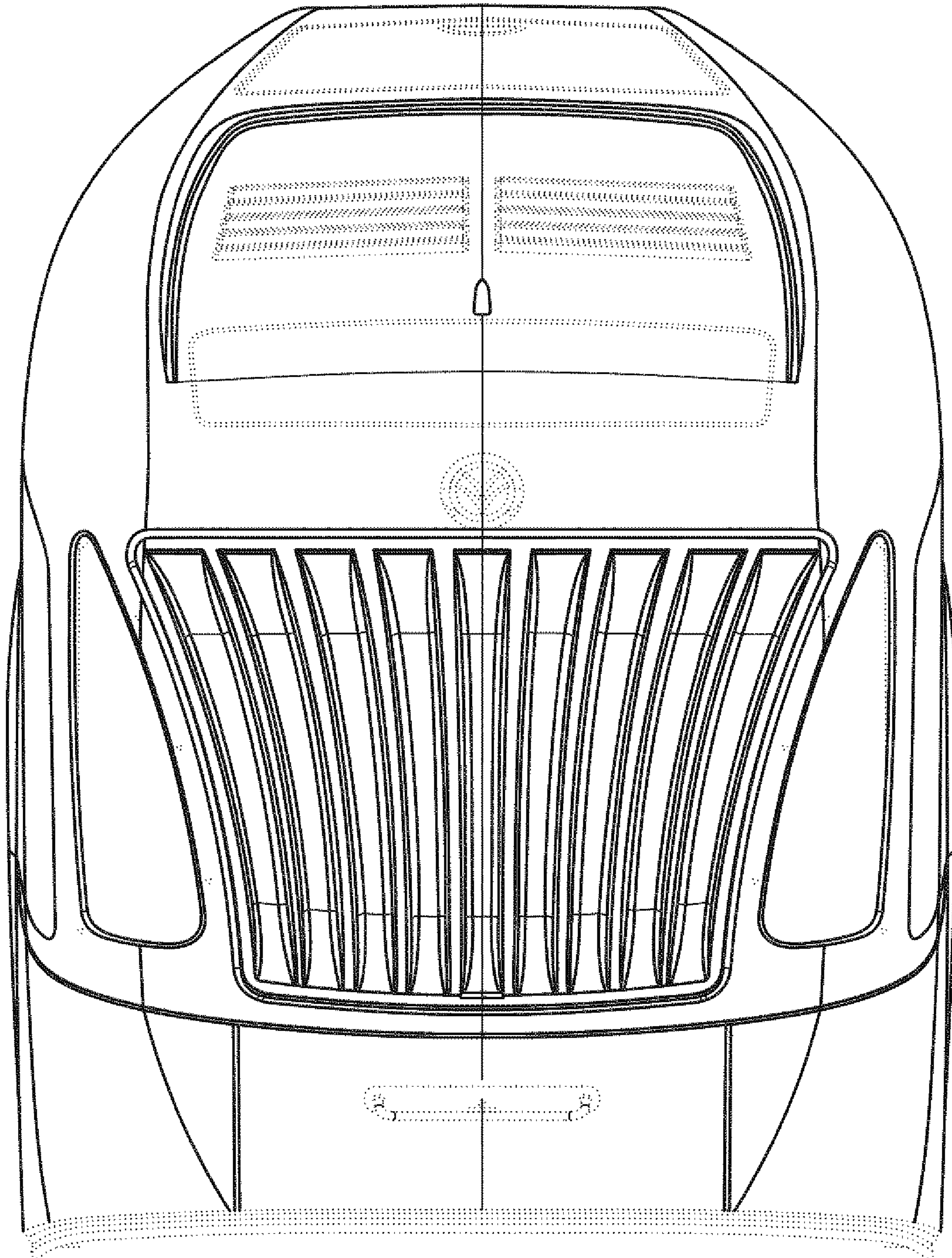


FIG. 2

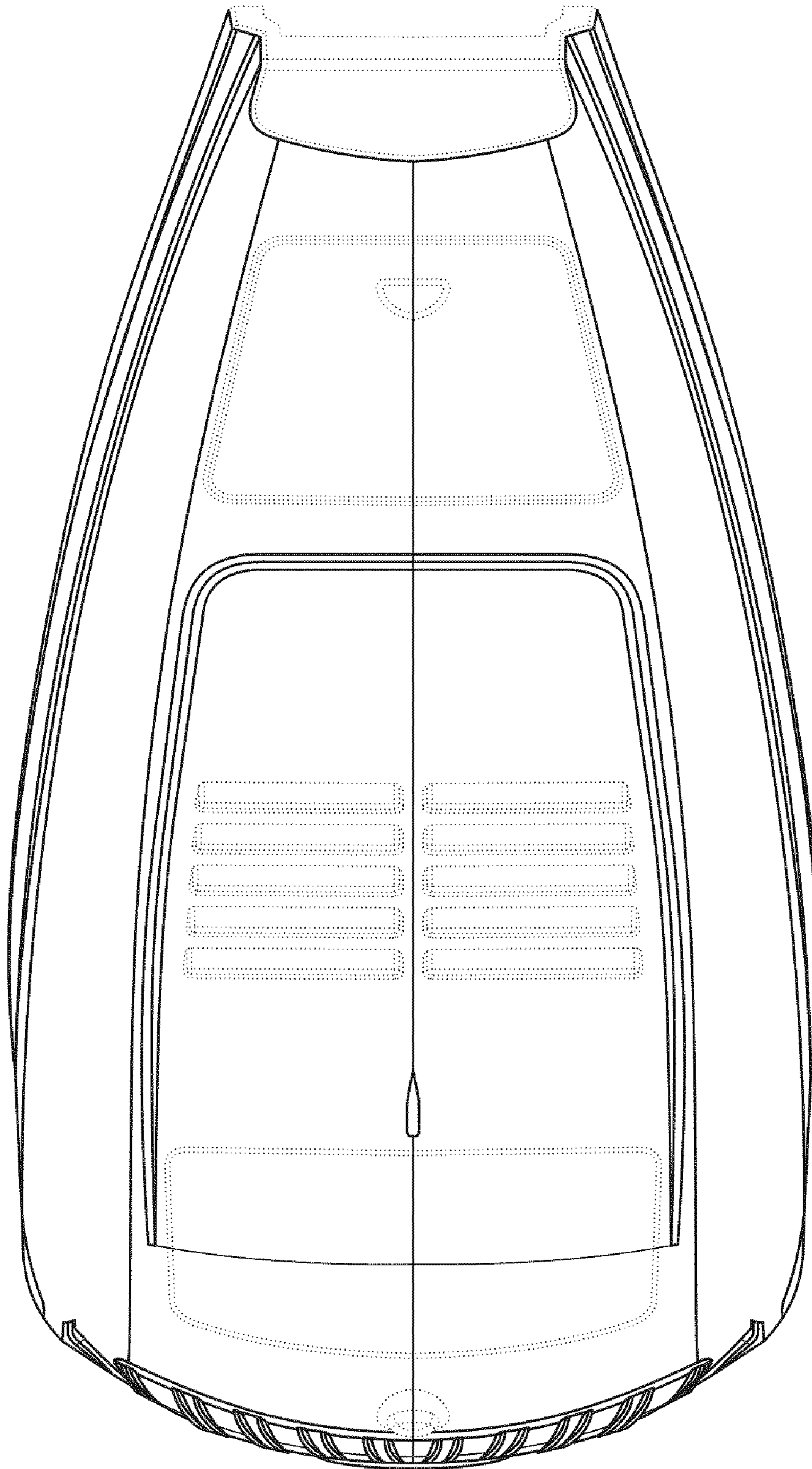


FIG. 3

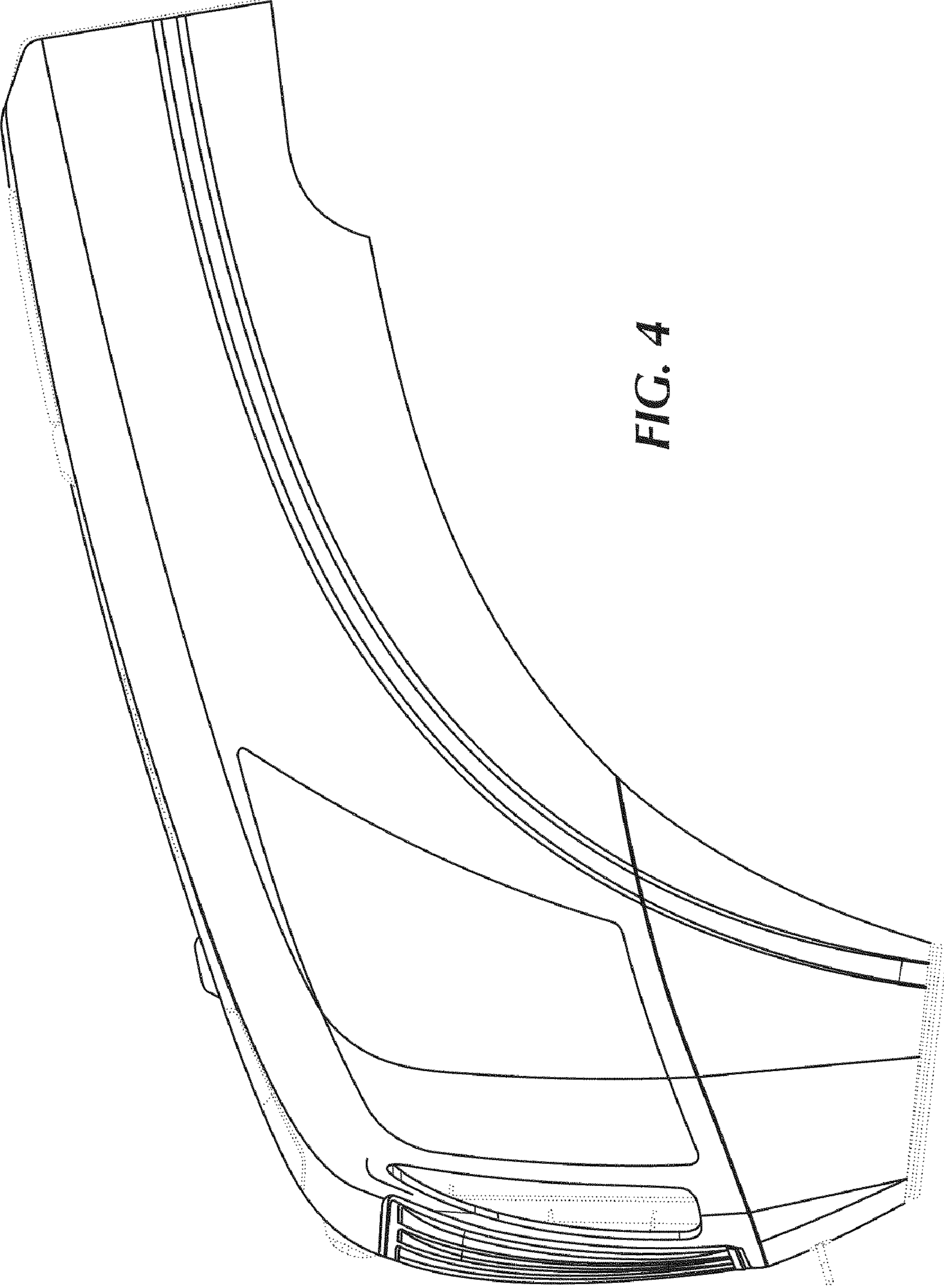


FIG. 4

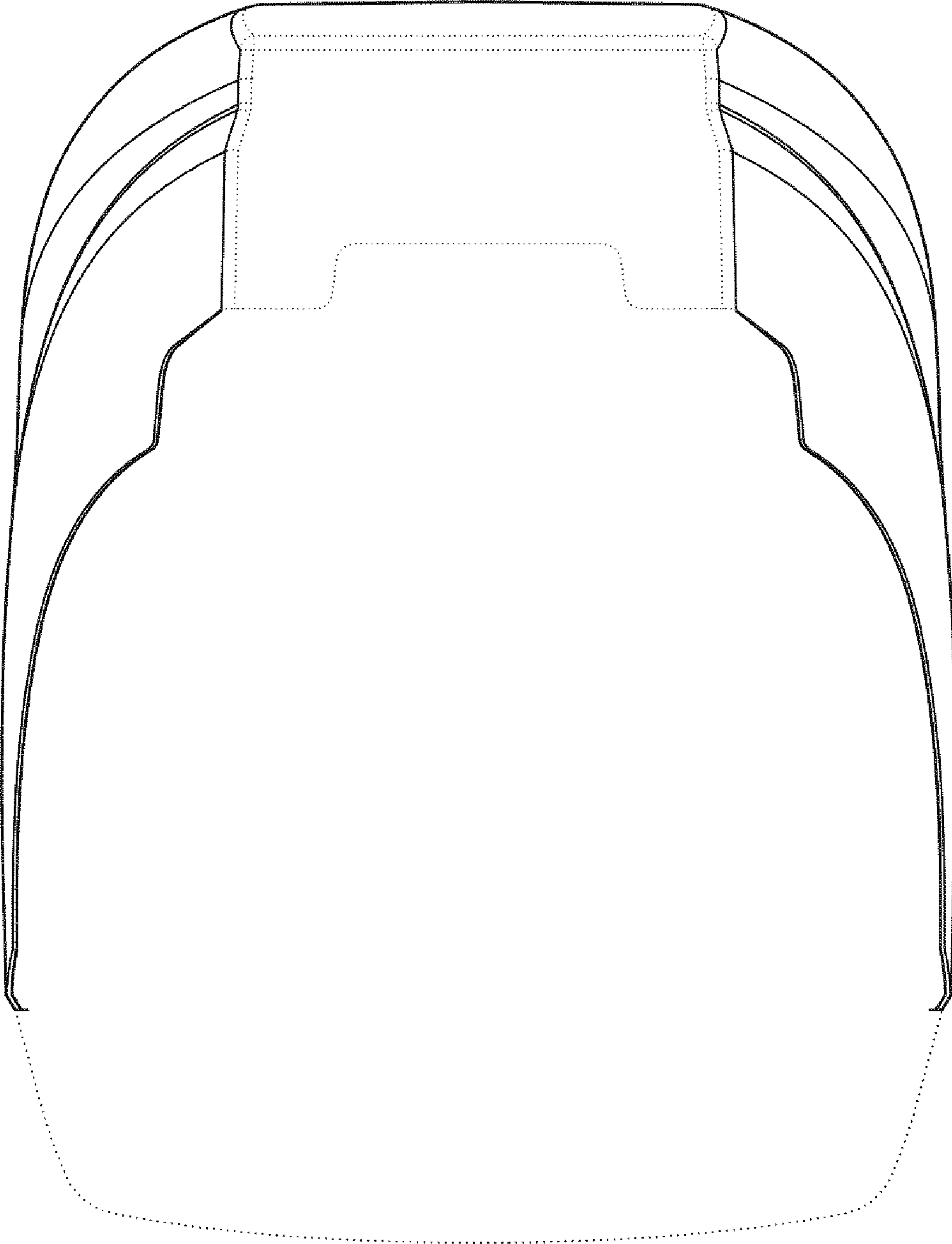


FIG. 5

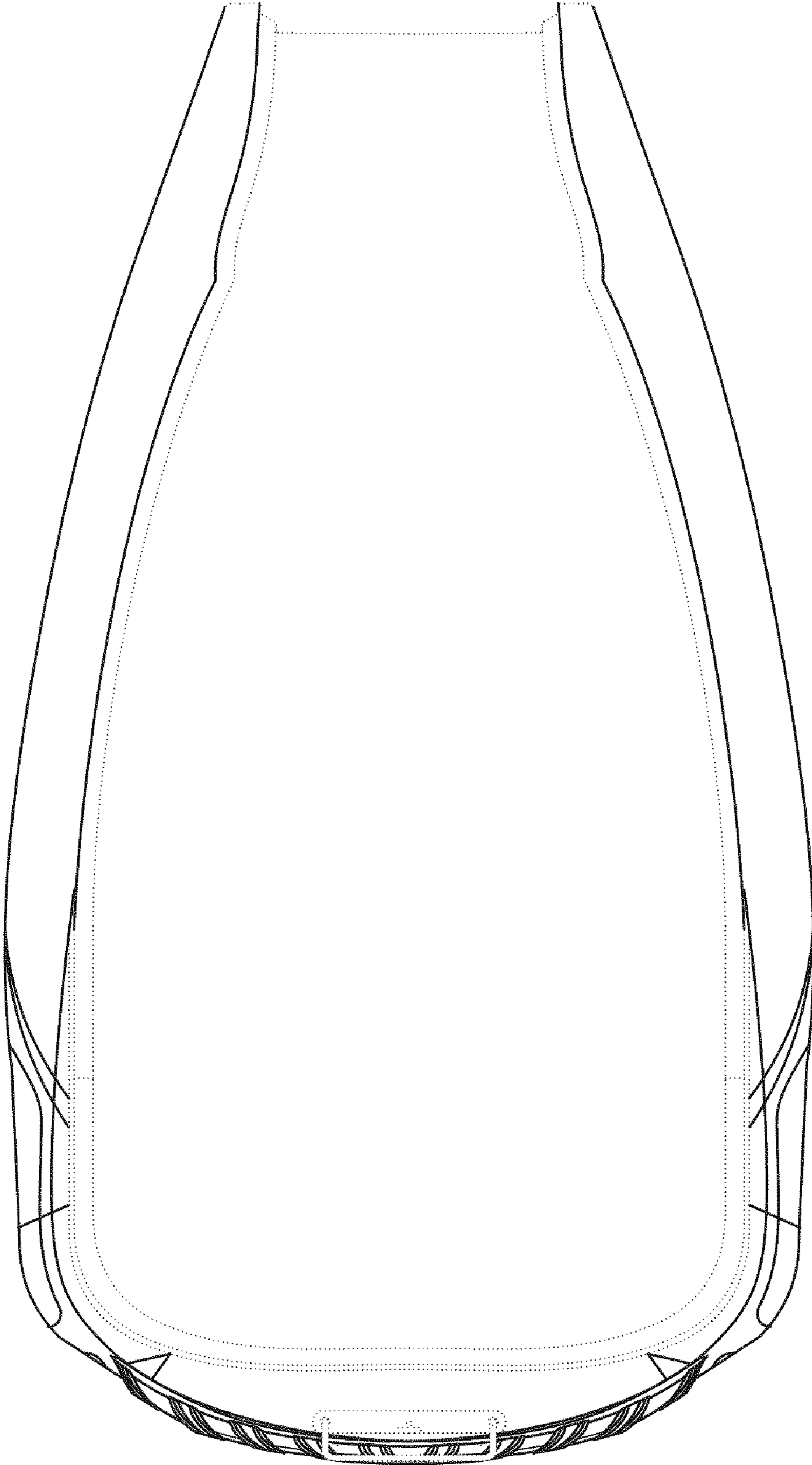


FIG. 6