



US00D631485S

(12) **United States Design Patent**
Hibino

(10) **Patent No.:** **US D631,485 S**
(45) **Date of Patent:** **** Jan. 25, 2011**

(54) **COMBINED CLOCK AND AUDIO PLAYER**

(75) Inventor: **Takuro Hibino**, Tokyo (JP)

(73) Assignee: **Sony Corporation**, Tokyo (JP)

(**) Term: **14 Years**

(21) Appl. No.: **29/347,505**

(22) Filed: **Feb. 12, 2010**

(30) **Foreign Application Priority Data**

Aug. 14, 2009 (CN) 2009 3 0206505

(51) **LOC (9) Cl.** **14-03**

(52) **U.S. Cl.** **D14/496**

(58) **Field of Classification Search** D14/496,
D14/401, 435, 474, 483, 217, 137, 138, 160,
D14/168, 356, 203.1–203.8, 507; 345/156,
345/169, 173–179, 905; 715/727–729, 864;
710/1, 5, 8; 713/1, 600; 455/1.1, 1.7, 73,
455/344–347, 93, 95, 3.01–3.06, 550.1, 573.1;
370/342–344; 369/1, 2, 6–12; 463/43–47;
273/148 B; D9/516, 522, 782; 220/4.26,
220/4.27, 375, 601

See application file for complete search history.

(56) **References Cited**

U.S. PATENT DOCUMENTS

5,664,292 A * 9/1997 Chen 24/3.11
6,565,444 B2 * 5/2003 Nagata et al. 463/46
D486,469 S 2/2004 Morita
D487,870 S * 3/2004 Stewart et al. D9/782
D491,911 S * 6/2004 Jung D14/203.7

D500,302 S 12/2004 Deguchi
6,966,651 B2 * 11/2005 Johnson 353/15
D532,426 S * 11/2006 Lee et al. D14/203.3
D550,706 S * 9/2007 Ichinose D14/496
D579,950 S * 11/2008 Shimizu D14/496
D593,066 S * 5/2009 Sheba et al. D14/203.1
D593,131 S * 5/2009 Lee D14/496
D609,718 S * 2/2010 Chang et al. D14/496
D615,556 S * 5/2010 Yeo et al. D14/496

* cited by examiner

Primary Examiner—Prabhakar Deshmukh

(74) *Attorney, Agent, or Firm*—Rader, Fishman & Grauer PLLC

(57) **CLAIM**

The ornamental design for a combined clock and audio player, as shown and described.

DESCRIPTION

FIG. 1 is a perspective view of a combined clock and audio player showing my new design;

FIG. 2 is a front elevational view thereof;

FIG. 3 is a rear elevational view thereof.

FIG. 4 is a left side elevational view thereof;

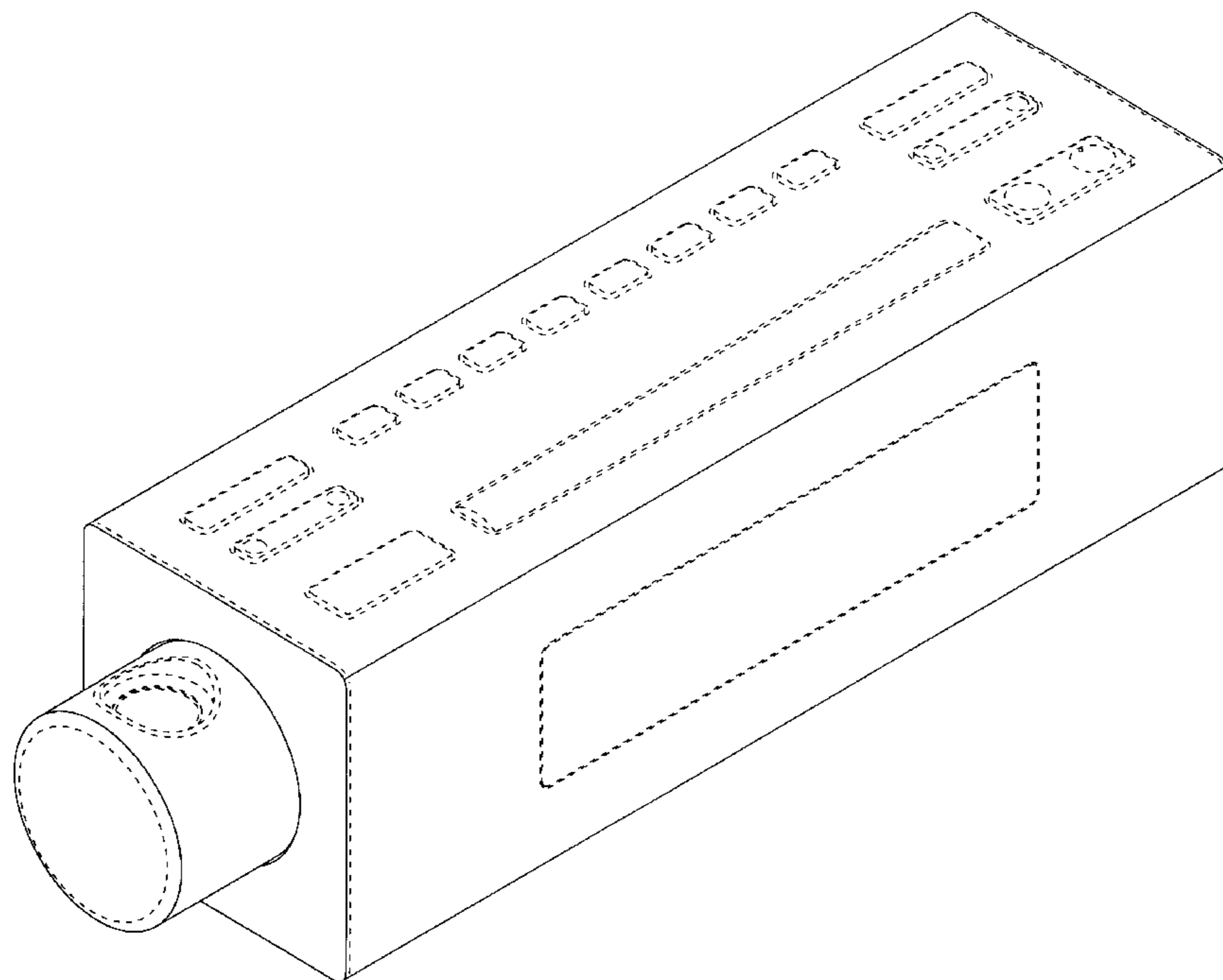
FIG. 5 is a right side elevational view thereof;

FIG. 6 is a top plan view thereof; and,

FIG. 7 is a bottom plan view thereof.

The portions that are shown in even broken lines are for illustrative purposes only and form no part of the claimed design.

1 Claim, 4 Drawing Sheets



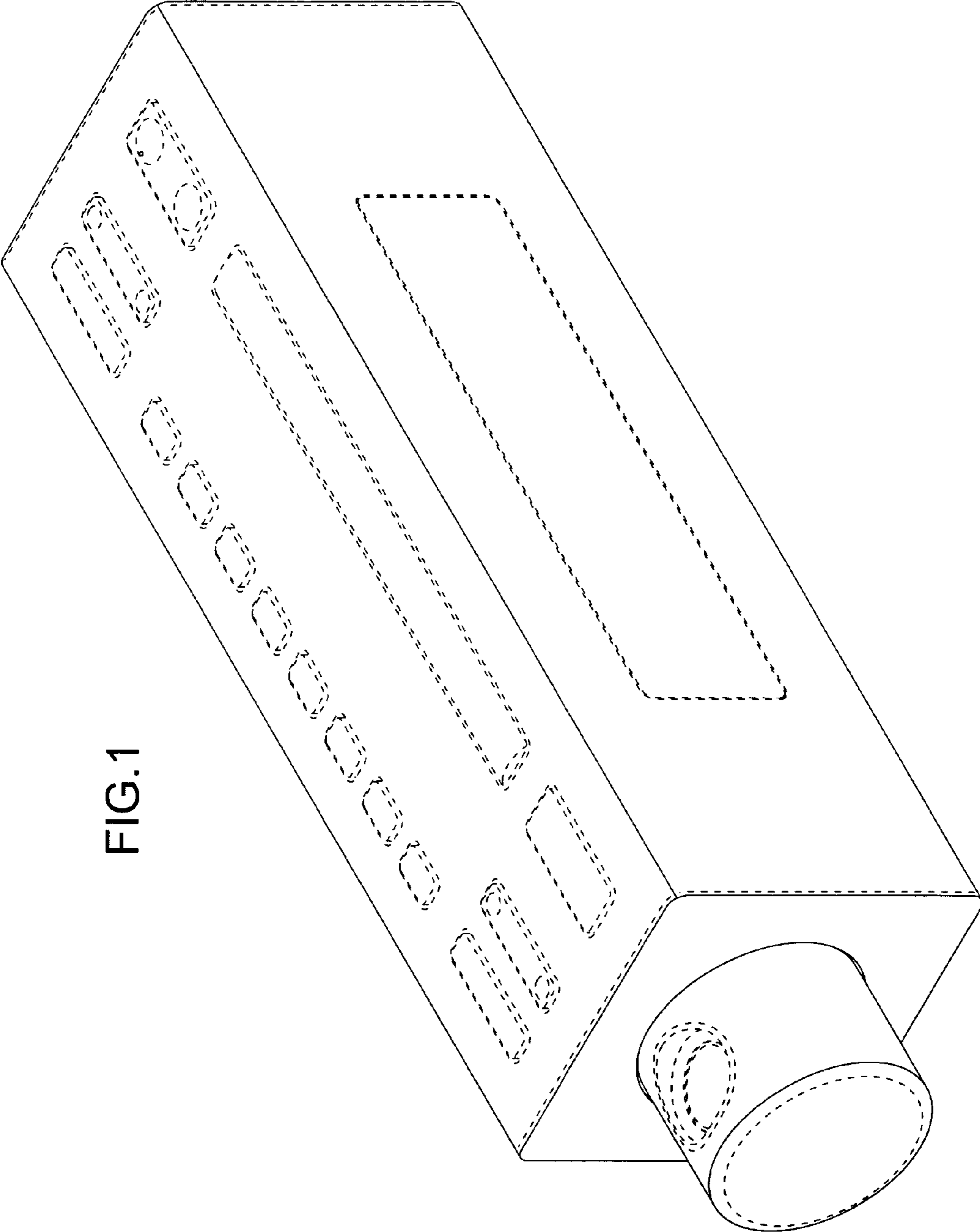


FIG.1

FIG.2

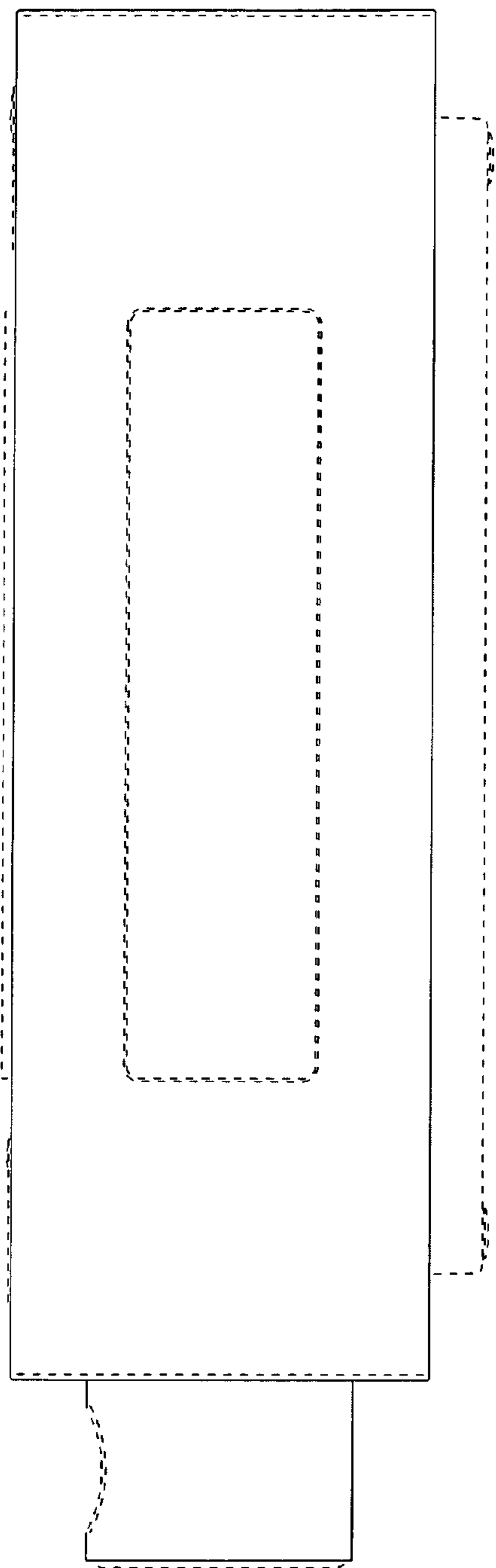


FIG.3

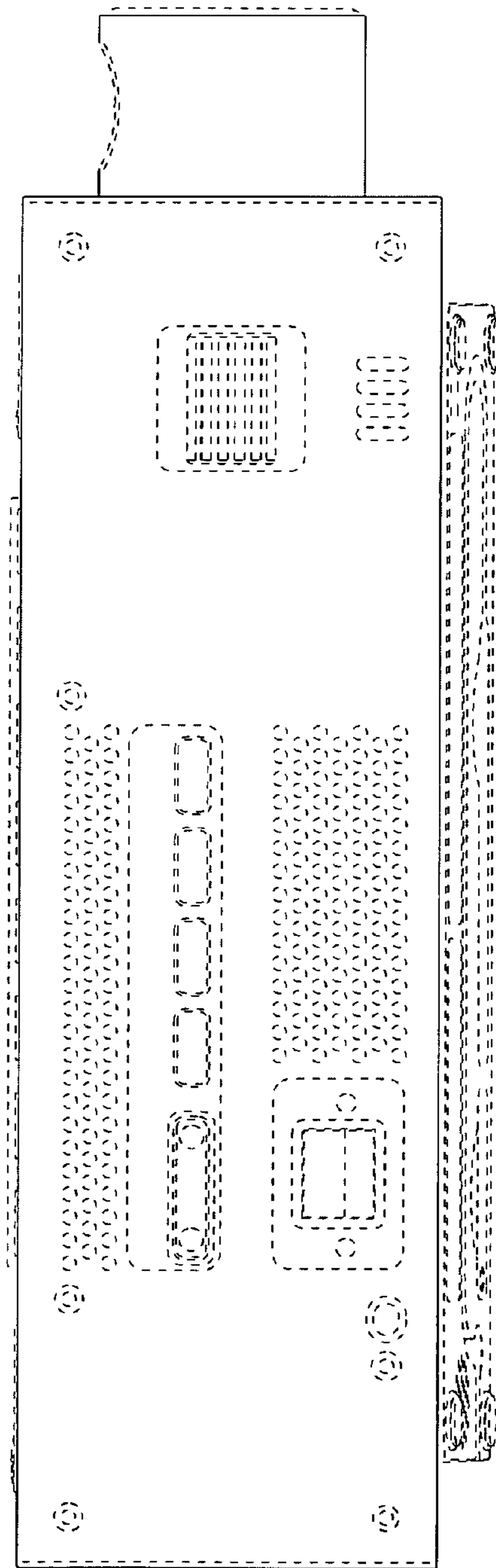


FIG.4

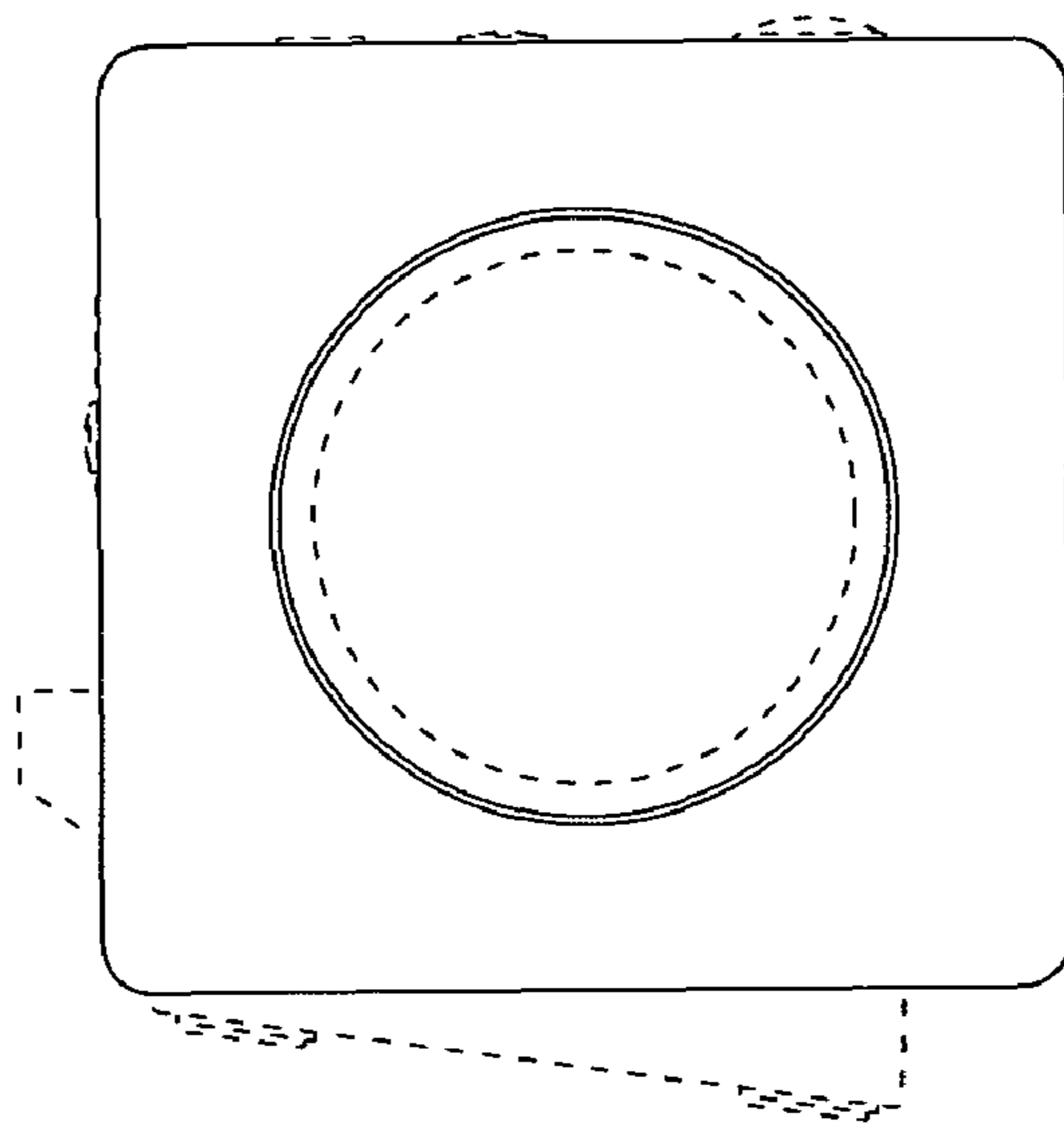


FIG.5

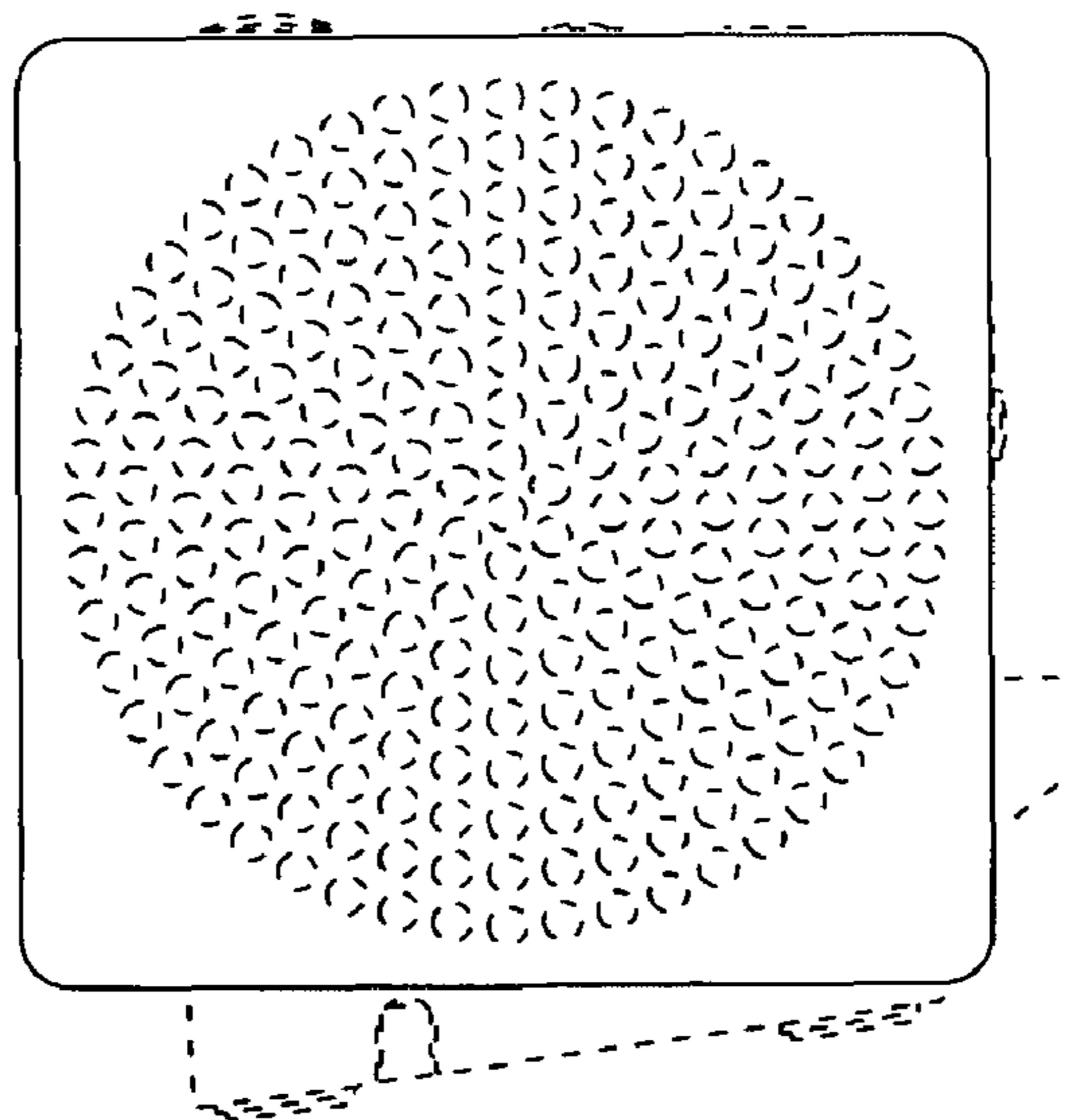


FIG.6

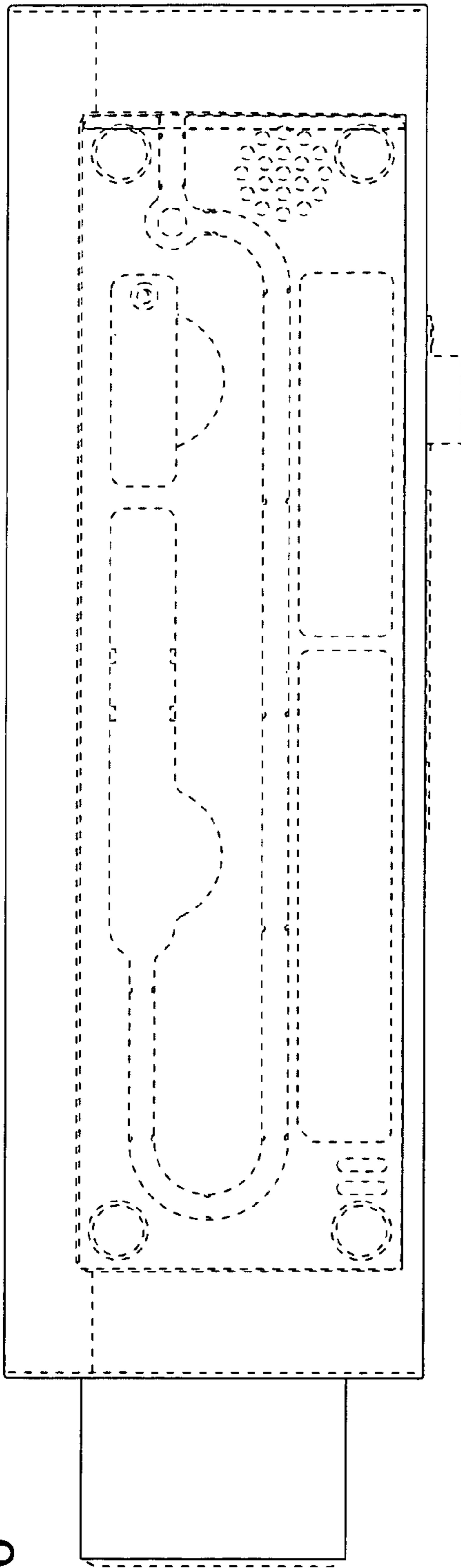


FIG.7

