



US00D631481S

(12) **United States Design Patent**
Floersch et al.

(10) **Patent No.:** **US D631,481 S**
(45) **Date of Patent:** **** Jan. 25, 2011**

(54) **TERMINAL STAND**

(75) Inventors: **Peter Floersch**, Eagan, MN (US); **Greg Miler**, Lakeville, MN (US); **Steve Nistler**, Rosemount, MN (US); **Jon Christopherson**, Burnsville, MN (US)

(73) Assignee: **Engineered Network Systems. Inc.**, Burnsville, MN (US)

(**) Term: **14 Years**

(21) Appl. No.: **29/367,284**

(22) Filed: **Aug. 5, 2010**

(51) **LOC (9) Cl.** **08-07**

(52) **U.S. Cl.** **D14/451**

(58) **Field of Classification Search** D14/447,
D14/451, 452, 239, 432, 434, 439, 448, 457,
D14/251, 253, 224, 224.1, 126, 127, 371,
D14/373, 374, 375; D8/363, 373, 380; 248/917,
248/918, 919, 920, 921, 922, 923, 924, 441.1,
248/460, 122.1, 125.7, 371, 176.1, 176.3,
248/222.52, 276.1, 324; 361/679.06, 679.04,
361/679.21, 679.22, 679.56

See application file for complete search history.

(56) **References Cited**

U.S. PATENT DOCUMENTS

D317,250 S *	6/1991	Shook et al.	D8/380
D362,253 S *	9/1995	Vogels	D14/224
D454,136 S *	3/2002	Deuschle	D14/447
D491,574 S *	6/2004	Hung	D14/452
D495,714 S *	9/2004	Pfister	D14/451
7,264,212 B2 *	9/2007	Hung	248/282.1
D552,454 S *	10/2007	Fynn	D8/363
D565,938 S *	4/2008	Massoumi et al.	D8/363

7,369,672 B2 *	5/2008	Hirschhorn	381/333
7,604,210 B2 *	10/2009	Oddsens et al.	248/280.11
2003/0132356 A1 *	7/2003	Copeland	248/282.1
2004/0011938 A1 *	1/2004	Oddsens, Jr.	248/393
2006/0060735 A1 *	3/2006	Oddsens et al.	248/278.1

* cited by examiner

Primary Examiner—Angela J Lee

(74) *Attorney, Agent, or Firm*—Haugen Law Firm PLLP

(57) **CLAIM**

The ornamental design for a terminal stand, as shown and described.

DESCRIPTION

FIG. 1 is a front perspective view of the design;

FIG. 2 is a front elevational view of the design;

FIG. 3 is a rear elevational view of the design;

FIG. 4 is a first side elevational view of the design;

FIG. 5 is a second side elevational view of the design;

FIG. 6 is a top plan view;

FIG. 7 is a bottom plan view, wherein the portions of the terminal stand shown in broken lines form no part of the claimed design;

FIG. 8 is a side elevational view of the design with a first base unit and top plate, wherein the broken lines showing a base unit and top plate are included for the purpose of illustrating environment, and form no part of the claimed design; and,

FIG. 9 is a side elevational view of the design with a second base unit and top plate, wherein the broken lines showing a base unit and top plate are included for environment, and form no part of the claimed design.

1 Claim, 6 Drawing Sheets

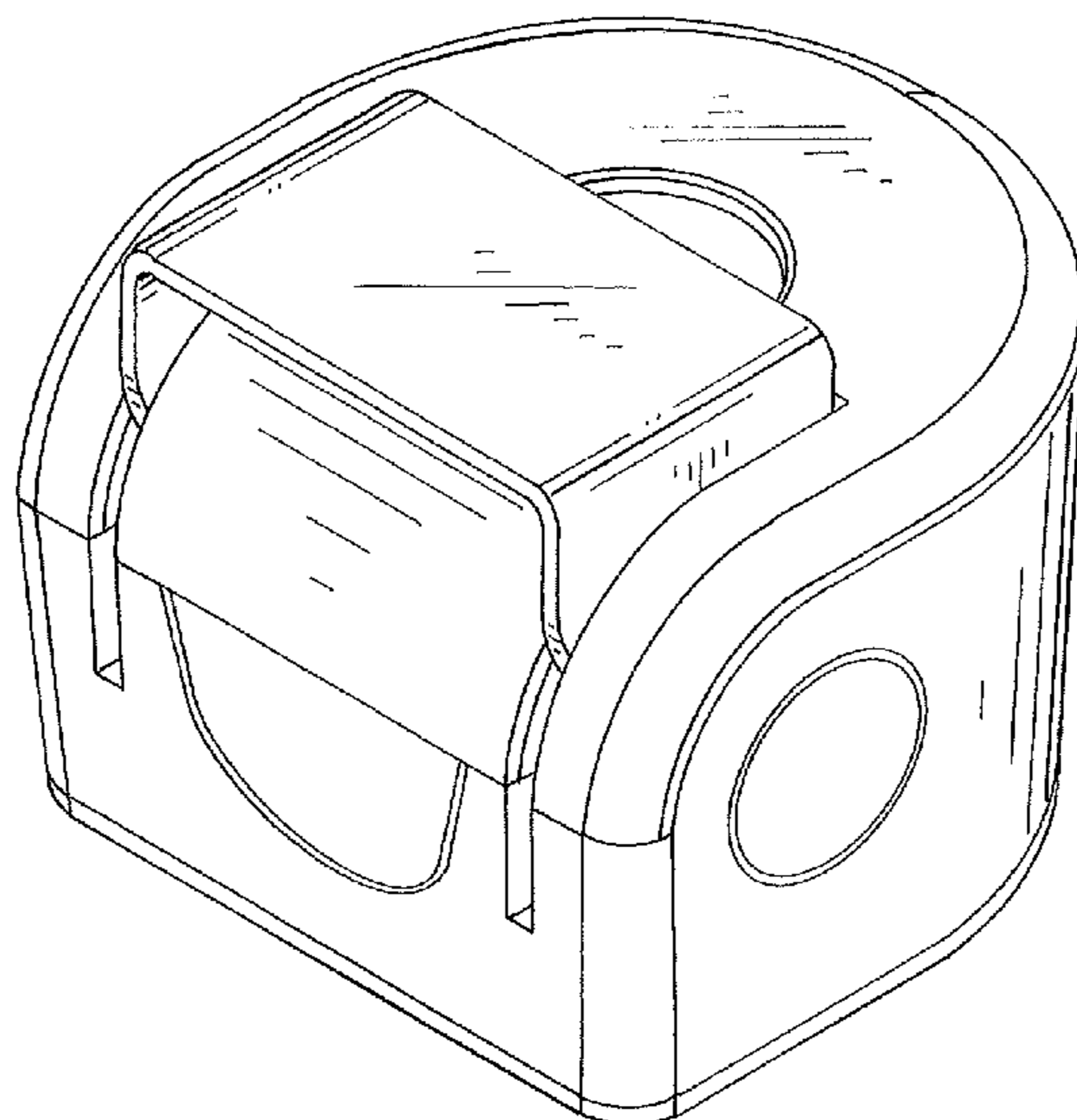


Fig.-1

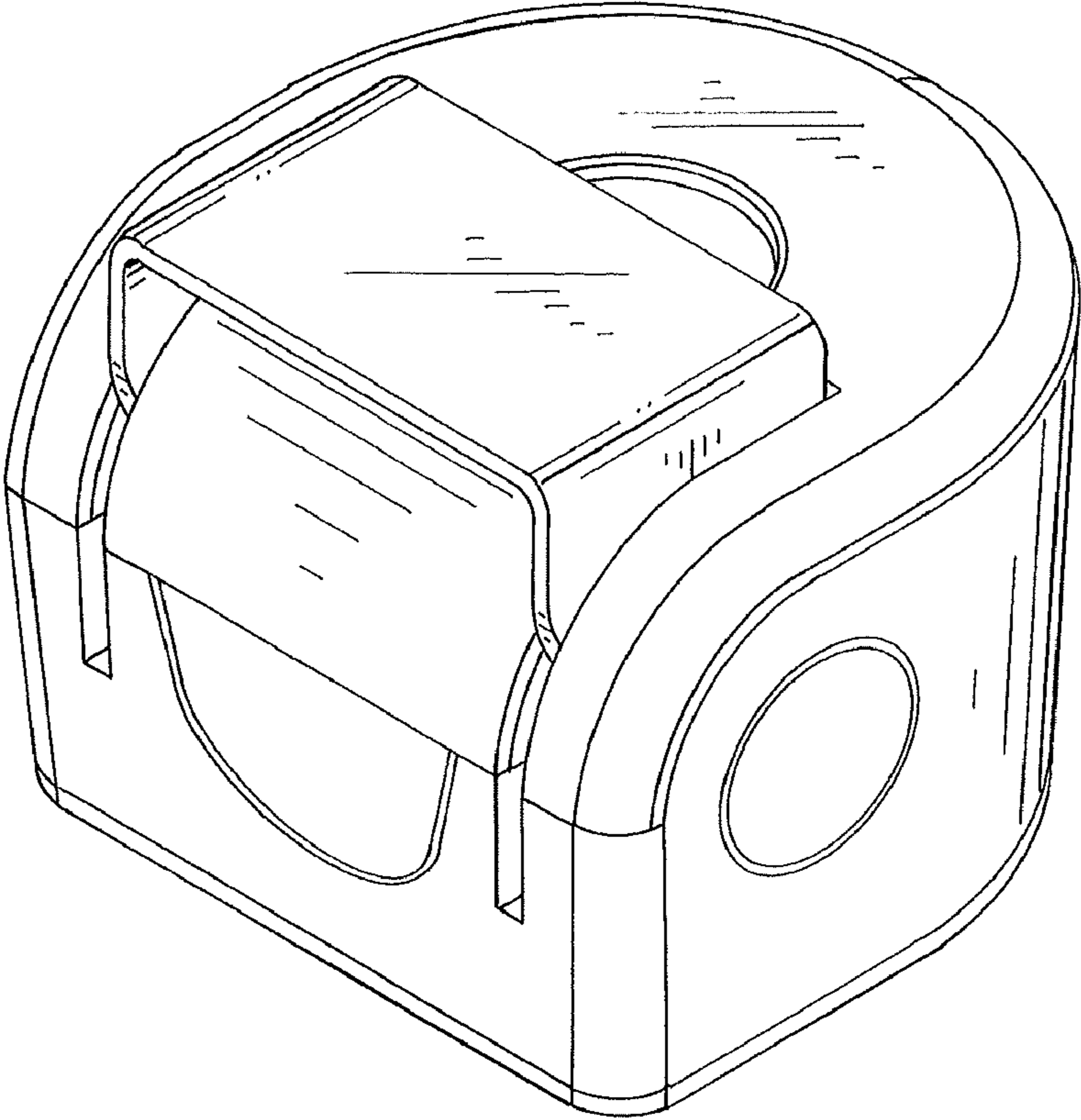


Fig.-2

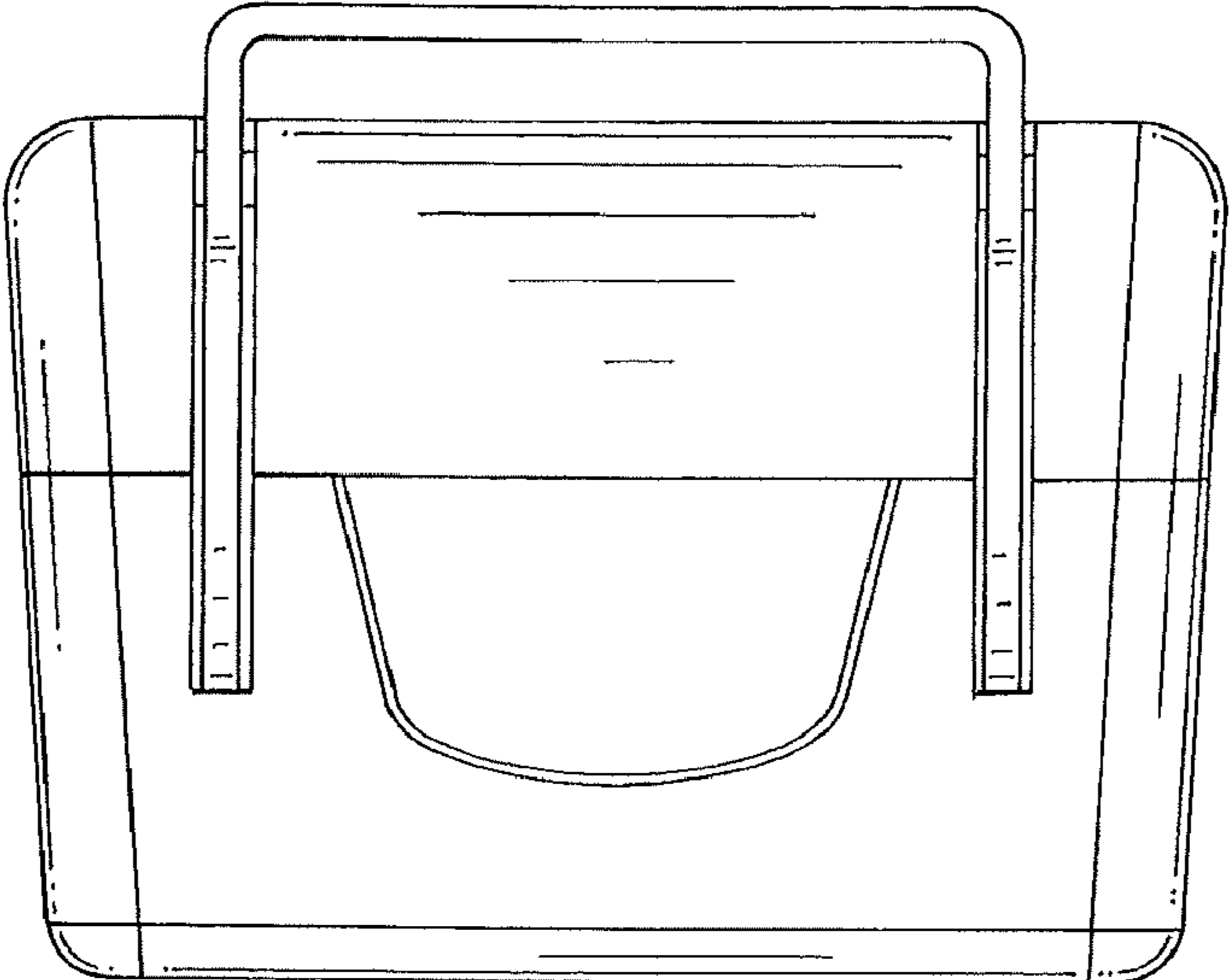


Fig. - 3

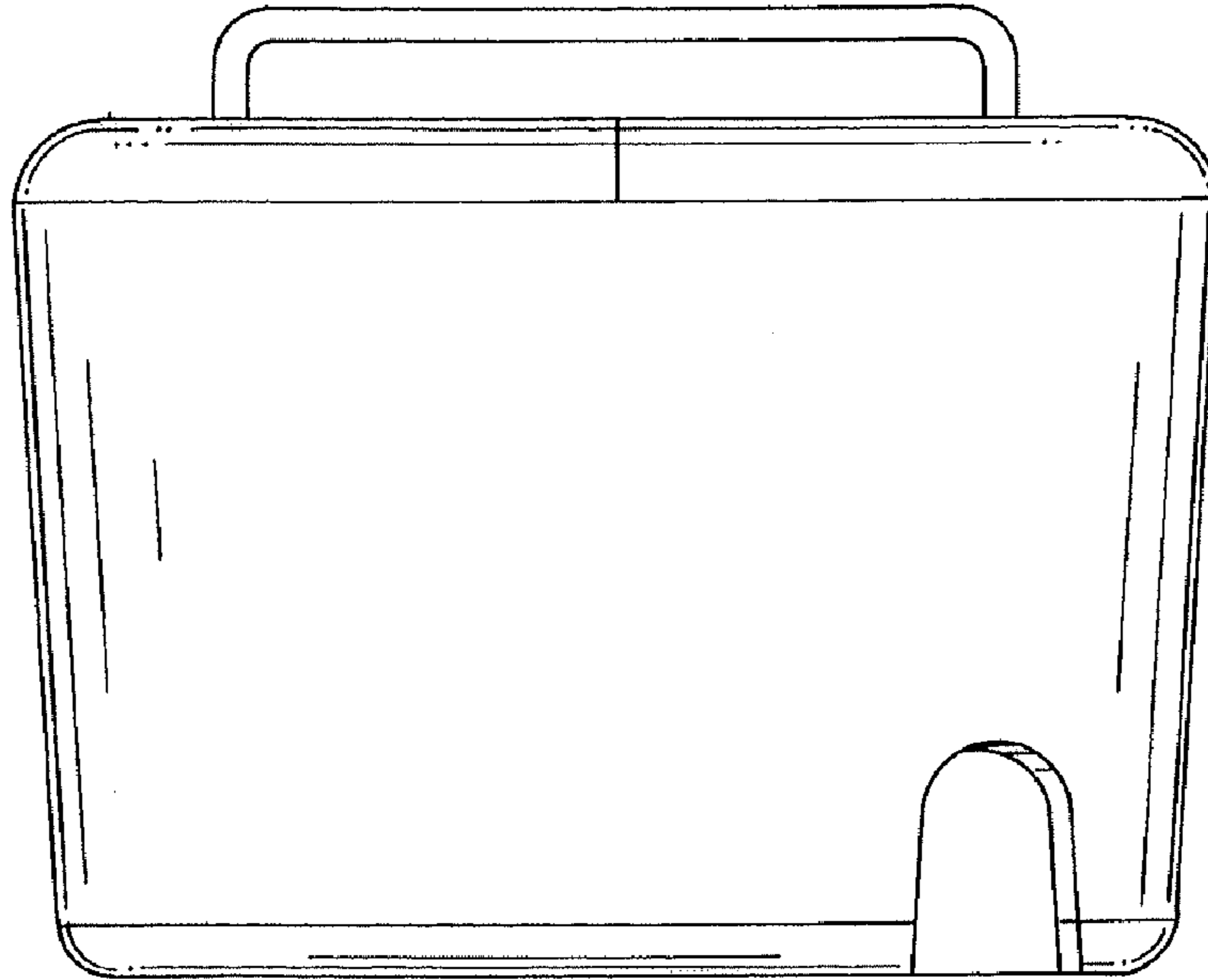


Fig. - 4

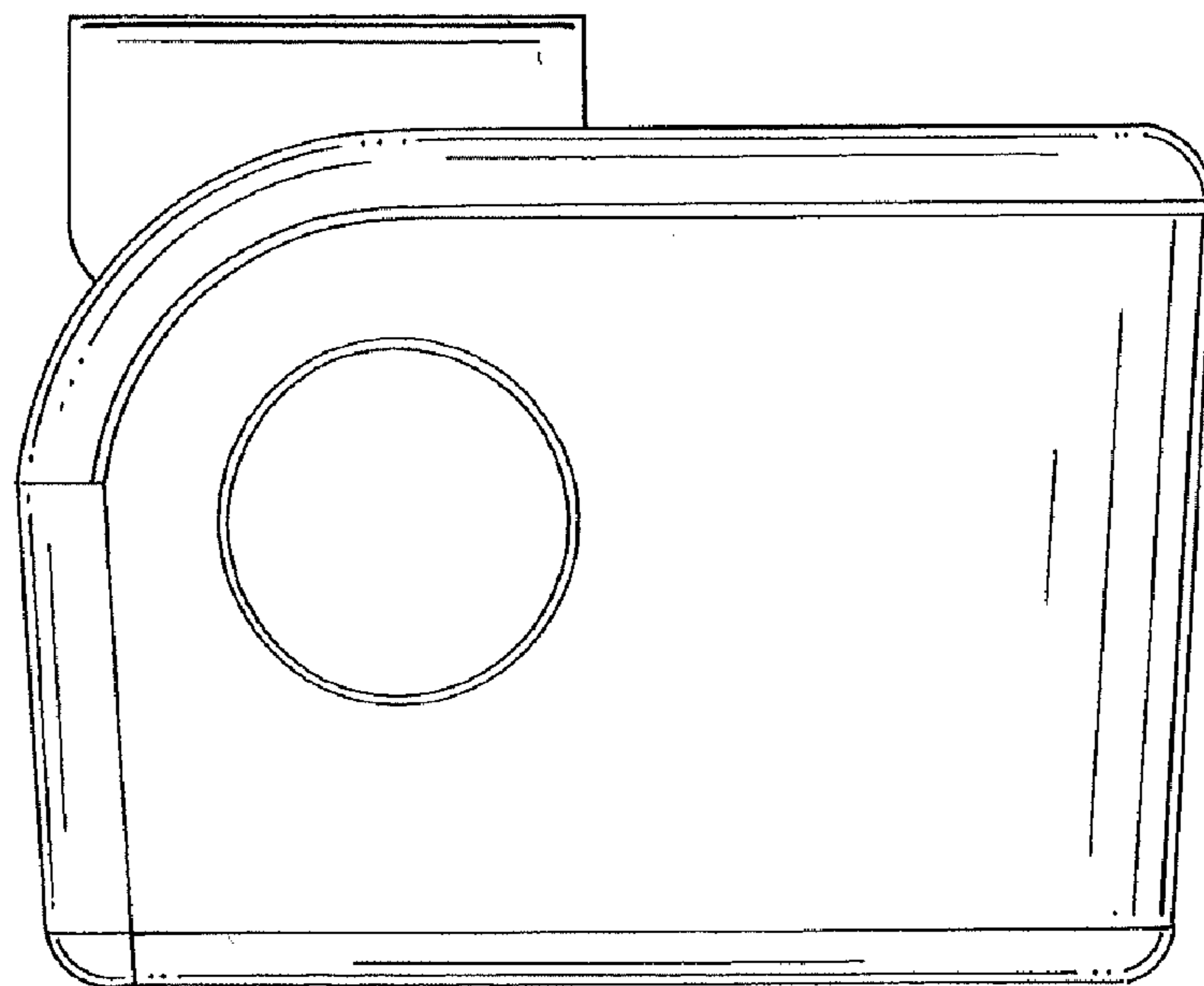


Fig. -5

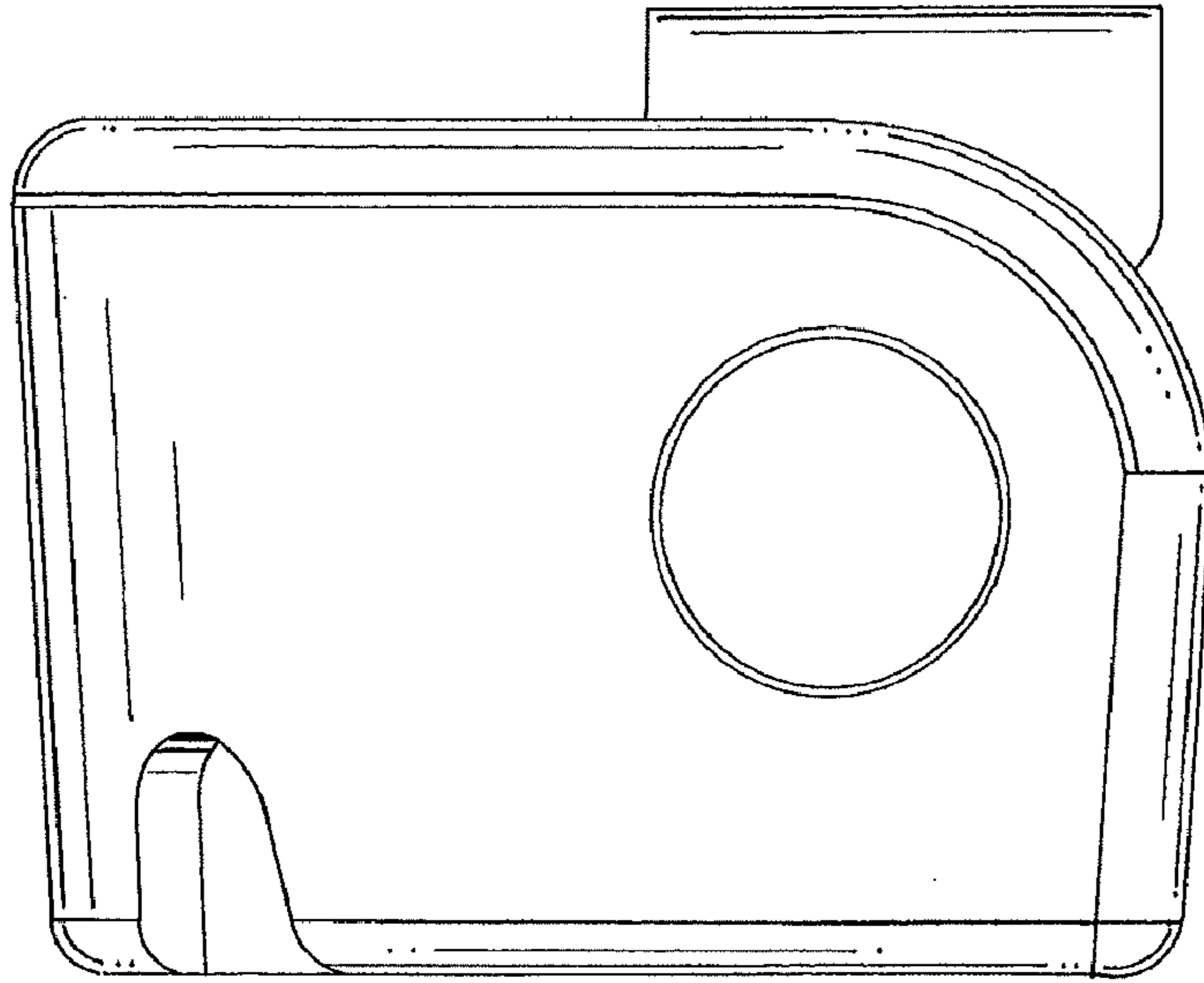


Fig. -6

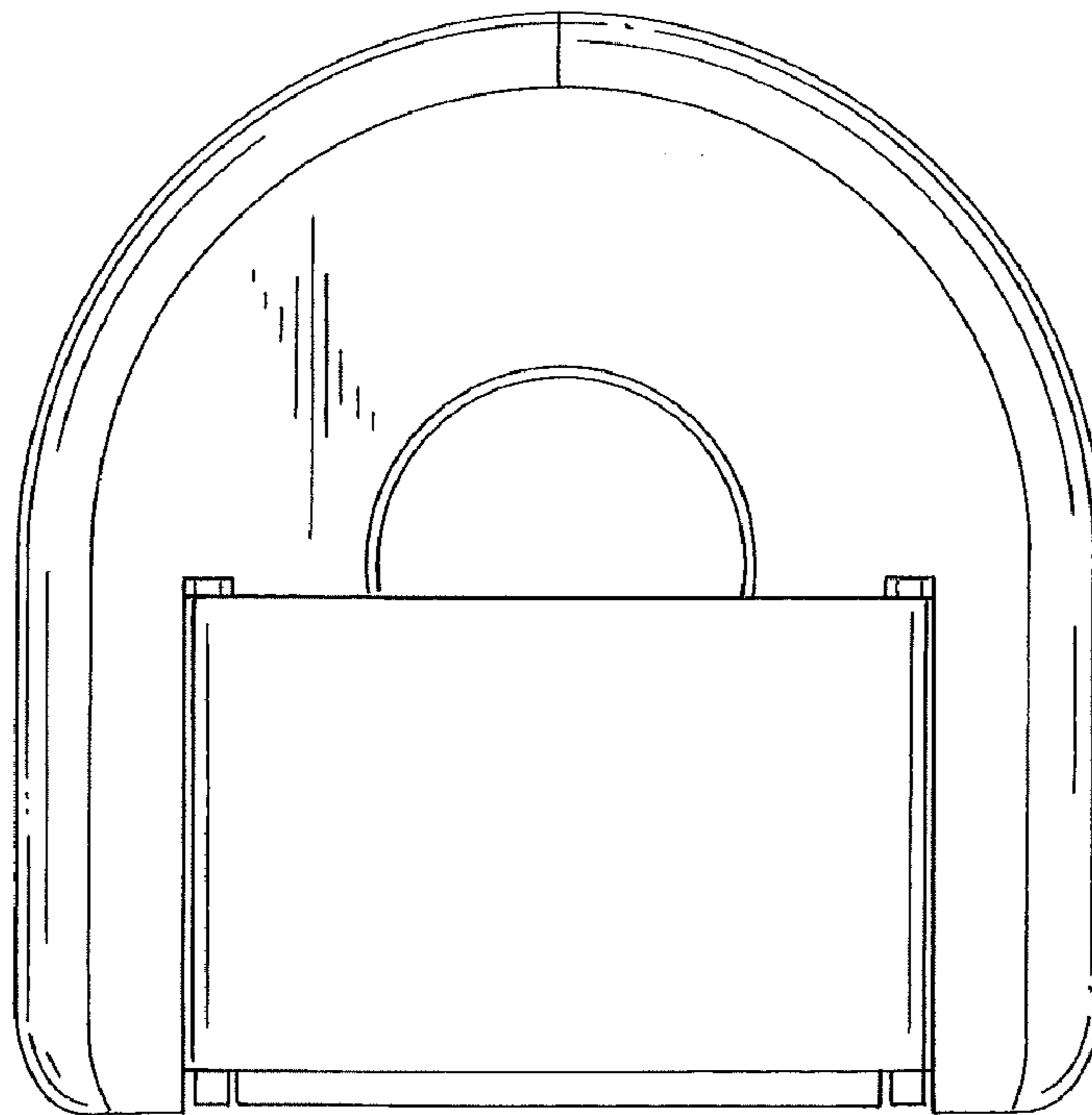


Fig.-7

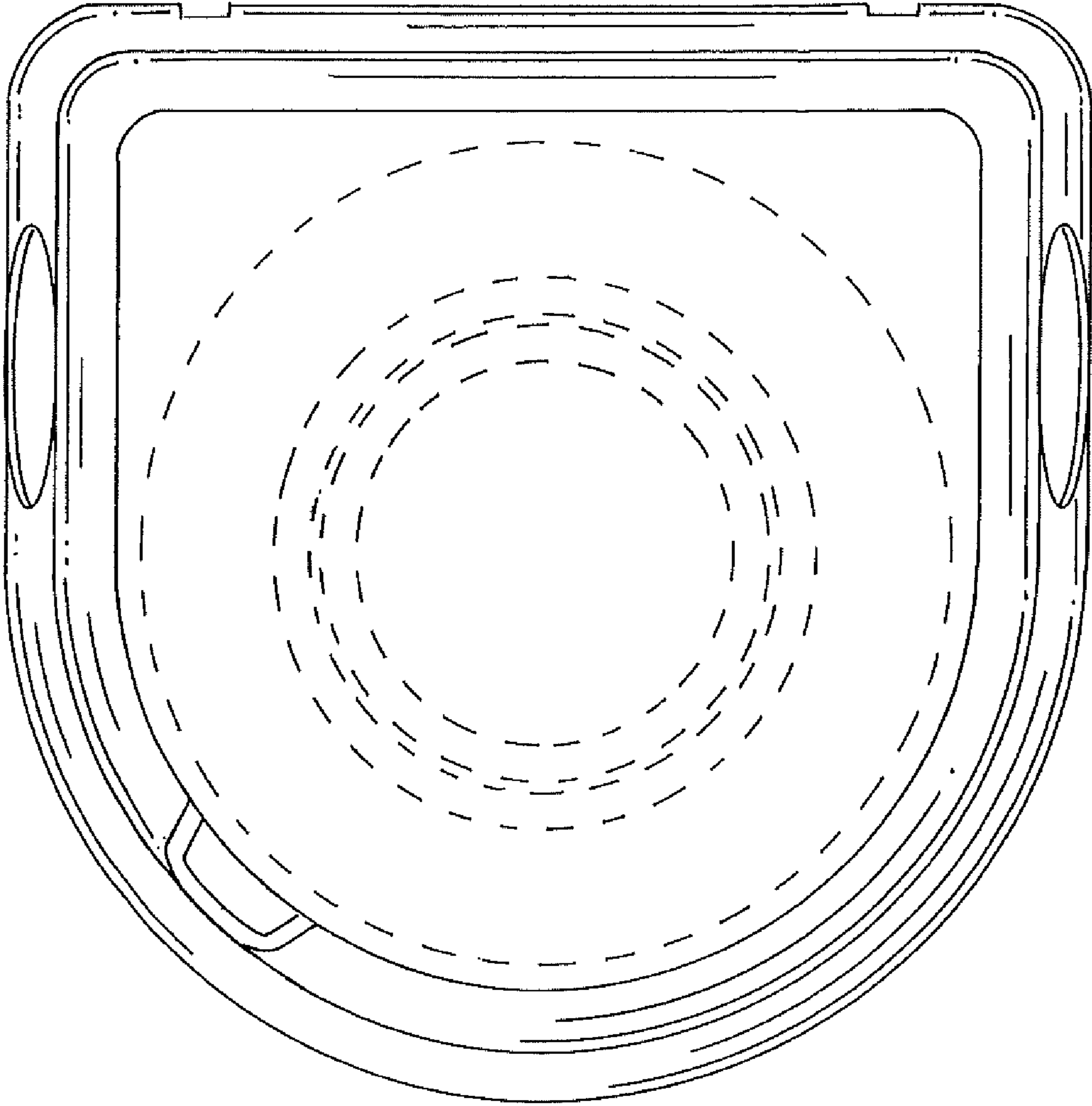


Fig. - 8

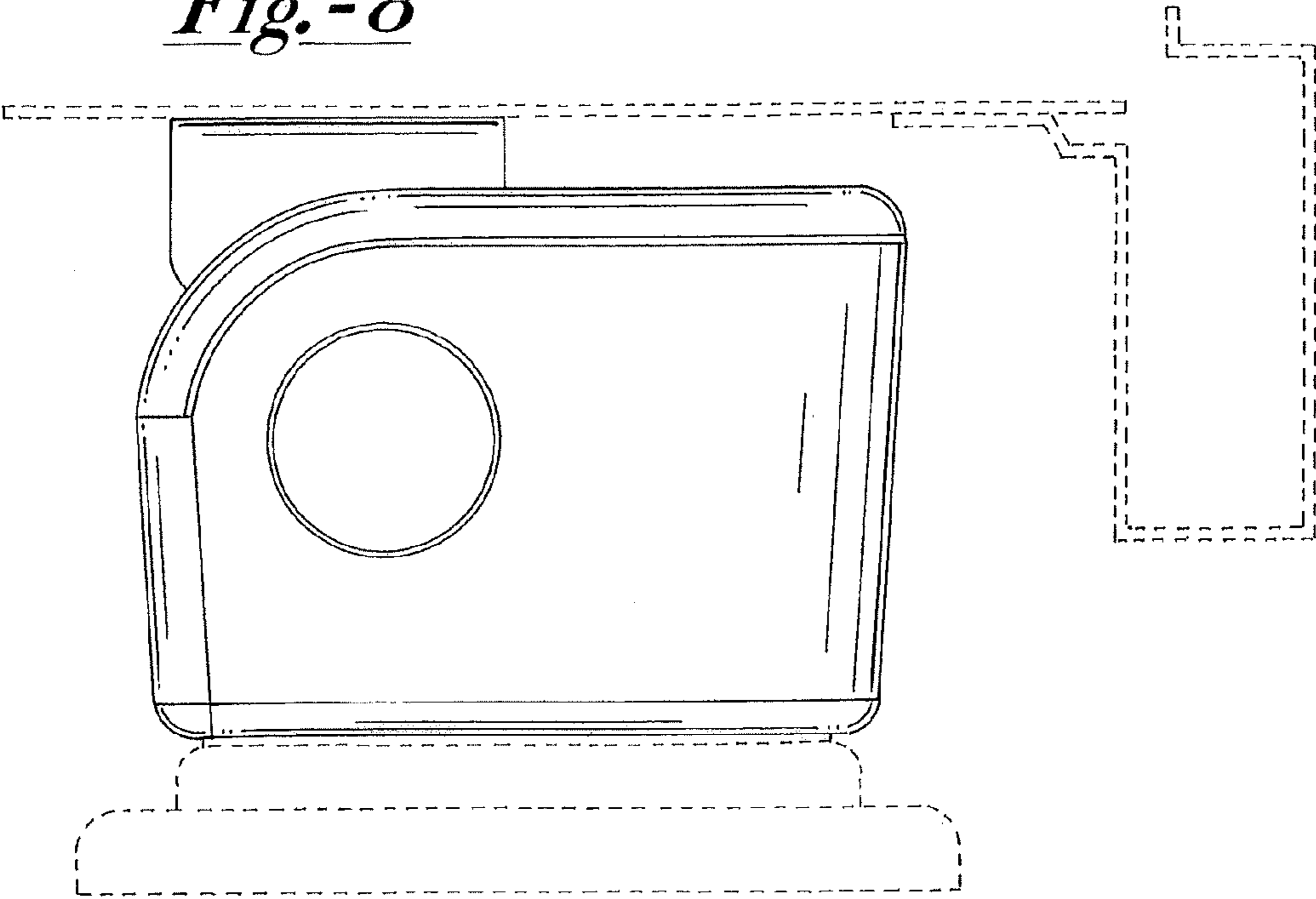


Fig. -9

