



US00D631479S

(12) **United States Design Patent**
Komuro et al.

(10) **Patent No.:** **US D631,479 S**
(45) **Date of Patent:** **** Jan. 25, 2011**

(54) **SCANNER**

(75) Inventors: **Hiroshi Komuro**, Wako (JP); **Tetsurou Ishikawa**, Tokyo (JP); **Teruhiko Kitamura**, Tokyo (JP)

(73) Assignee: **Canon Denshi Kabushiki Kaisha**, Chichibu-shi, Saitama (JP)

(**) Term: **14 Years**

(21) Appl. No.: **29/351,400**

(22) Filed: **Dec. 4, 2009**

(30) **Foreign Application Priority Data**

Jun. 5, 2009 (JP) 2009-012753

(51) **LOC (9) Cl.** **14-02**

(52) **U.S. Cl.** **D14/422**

(58) **Field of Classification Search** D14/420-425, D14/462-470, 389, 125, 399; D18/50, 54, D18/55, 53, 36-39, 14, 18-21, 49, 52, 51, D18/54.4; 358/400, 401, 448, 474, 486-488, 358/496; 382/312, 317, 321, 315; 400/613, 400/613.1-613.4, 690.1-690.4, 691-694, 400/88, 175; 399/107, 379, 380, 211, 212; 235/462.11, 462.41, 472.01, 470, 462.43; 361/680, 681

See application file for complete search history.

(56) **References Cited**

U.S. PATENT DOCUMENTS

D316,869 S * 5/1991 Sugawara et al. D18/54
D366,900 S * 2/1996 Pangburn et al. D18/50
D373,595 S * 9/1996 Askren et al. D18/50
D375,119 S * 10/1996 Pangburn D18/50
D382,256 S * 8/1997 Lin D14/422
D401,965 S * 12/1998 Pangburn D18/55
D414,508 S * 9/1999 Pangburn D18/55
D420,663 S * 2/2000 Goldenberg et al. . D14/138 AB
D421,768 S * 3/2000 Blair et al. D18/50
D422,570 S * 4/2000 Kobayashi D14/509
D423,563 S * 4/2000 Collins et al. D18/55

D424,099 S * 5/2000 Pangburn D18/50
D432,565 S * 10/2000 Gassett et al. D18/55
D433,443 S * 11/2000 Ito et al. D18/55
D435,266 S * 12/2000 Sekine et al. D18/55
D435,267 S * 12/2000 Beck et al. D18/55
D438,895 S * 3/2001 Pangburn D18/55
D439,607 S * 3/2001 Inoue et al. D18/54
6,231,043 B1 * 5/2001 James et al. 271/209
D452,706 S * 1/2002 Senshiki D18/55
D454,583 S * 3/2002 Whitby et al. D18/50
D463,485 S * 9/2002 Yoshida et al. D18/50
D465,515 S * 11/2002 Hwang et al. D18/55
D466,552 S * 12/2002 Hwang et al. D18/55
D466,920 S * 12/2002 Kawahara et al. D18/50
D470,172 S * 2/2003 Tatara et al. D18/55
6,540,219 B1 * 4/2003 Naruse et al. 271/37
D474,770 S * 5/2003 Chujou et al. D14/425
6,557,992 B1 * 5/2003 Dwyer et al. 347/108

(Continued)

Primary Examiner—Susan Moon Lee

(74) *Attorney, Agent, or Firm*—Fitzpatrick, Cella, Harper & Scinto

(57) **CLAIM**

The ornamental design for a scanner, as shown and described.

DESCRIPTION

FIG. 1 is a front plan view of the scanner showing our new design;

FIG. 2 is a rear plan view thereof;

FIG. 3 is a top plan view thereof;

FIG. 4 is a bottom plan view thereof;

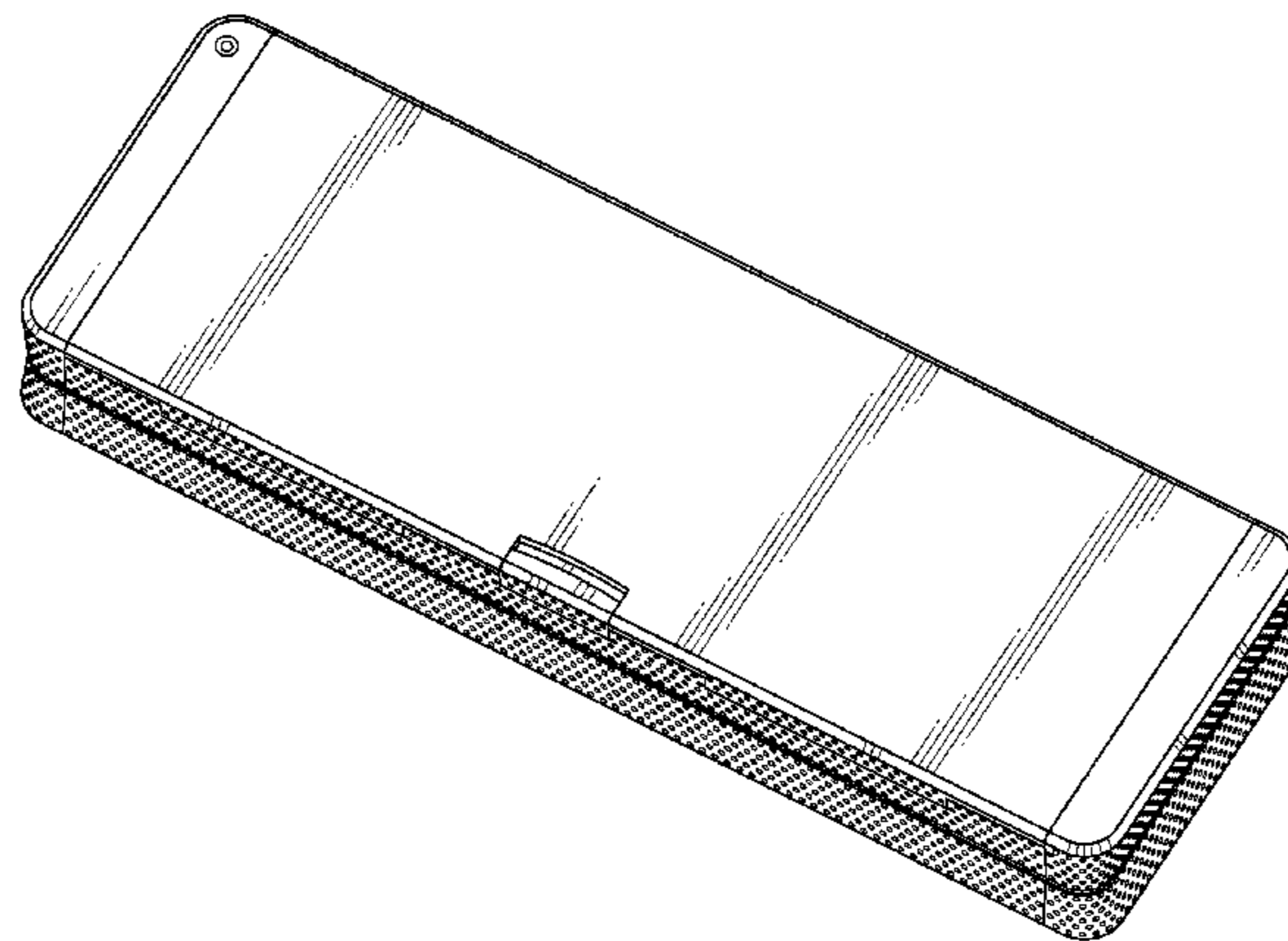
FIG. 5 is a right side, plan view thereof;

FIG. 6 is a left side, plan view thereof;

FIG. 7 is a perspective view from the left side thereof; and,

FIG. 8 is perspective view from the left side thereof, with the cover opened and the paper guide extending therefrom.

1 Claim, 8 Drawing Sheets



US D631,479 S

Page 2

U.S. PATENT DOCUMENTS

6,568,674 B2 *	5/2003	Matsuda	271/274	6,991,331 B2 *	1/2006	Kagami et al.	347/108
D478,119 S *	8/2003	Hwang et al.	D18/55	7,029,113 B2 *	4/2006	Hwang	347/108
D480,752 S *	10/2003	Tatara et al.	D18/55	D523,469 S *	6/2006	Hwang et al.	D18/50
D483,059 S *	12/2003	Goh et al.	D18/50	D524,851 S *	7/2006	Wong et al.	D18/55
D483,060 S *	12/2003	Wong et al.	D18/50	D533,897 S *	12/2006	Workman et al.	D18/34.3
D483,061 S *	12/2003	Wong	D18/55	D534,204 S *	12/2006	Workman et al.	D18/34.3
6,676,318 B2 *	1/2004	Hwang et al.	400/693	D536,731 S *	2/2007	Tate et al.	D18/50
D486,178 S *	2/2004	Wong et al.	D18/55	D543,583 S *	5/2007	Workman et al.	D18/34.3
6,707,584 B1 *	3/2004	Morita	358/498	D545,891 S *	7/2007	Ramos et al.	D18/49
D489,401 S *	5/2004	Senshiki et al.	D18/54	D549,705 S *	8/2007	Sugitani et al.	D14/422
D492,960 S *	7/2004	Takizawa	D18/54	7,265,869 B2 *	9/2007	Silverbrook et al.	358/1.3
6,786,665 B2 *	9/2004	Hwang et al.	400/693	7,290,952 B2 *	11/2007	Kagami	400/693
D497,940 S *	11/2004	Hwang et al.	D18/50	D563,413 S *	3/2008	Kuroda et al.	D14/422
6,848,685 B2 *	2/2005	Katsuyama	271/162	D564,519 S *	3/2008	Genatossio et al.	D14/422
6,899,422 B2 *	5/2005	Strowe et al.	347/108	7,431,447 B2 *	10/2008	Jensen	347/108
6,899,474 B2 *	5/2005	Uchida et al.	400/27	2003/0030712 A1 *	2/2003	Kawaguchi et al.	347/104
6,962,412 B2 *	11/2005	Koike et al.	347/108	2003/0206762 A1 *	11/2003	Hwang et al.	400/693
D514,161 S *	1/2006	Wong et al.	D18/55	2004/0004642 A1 *	1/2004	Koike et al.	347/5
				2004/0207144 A1 *	10/2004	Kanome et al.	271/9.01

* cited by examiner

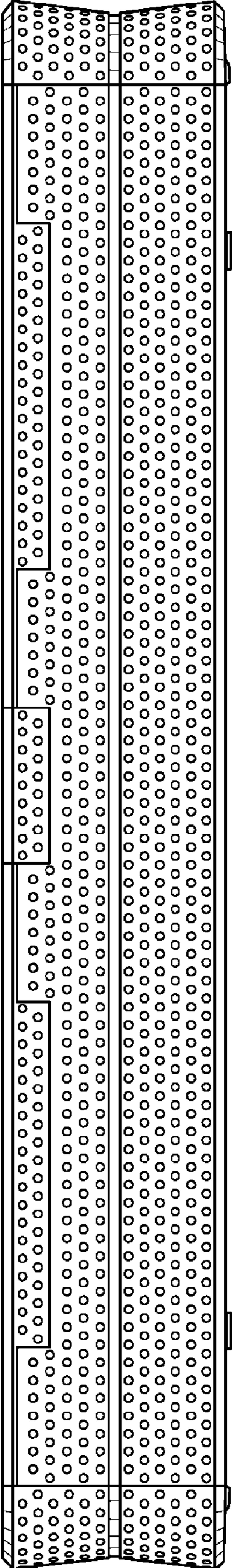


FIG. 1

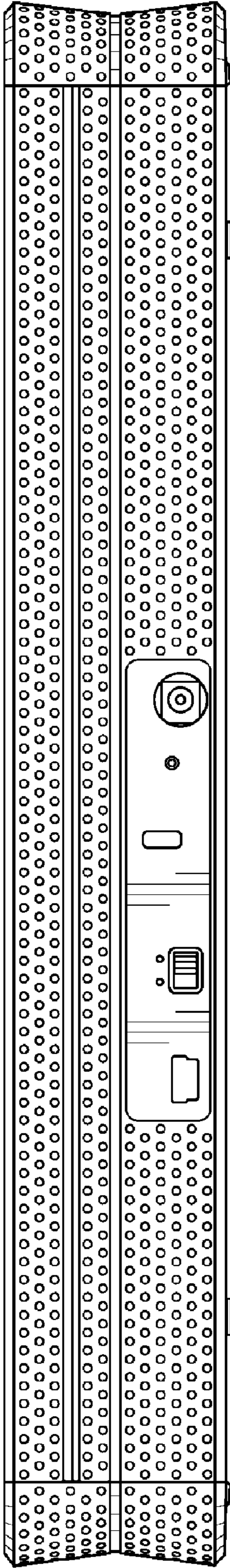


FIG. 2

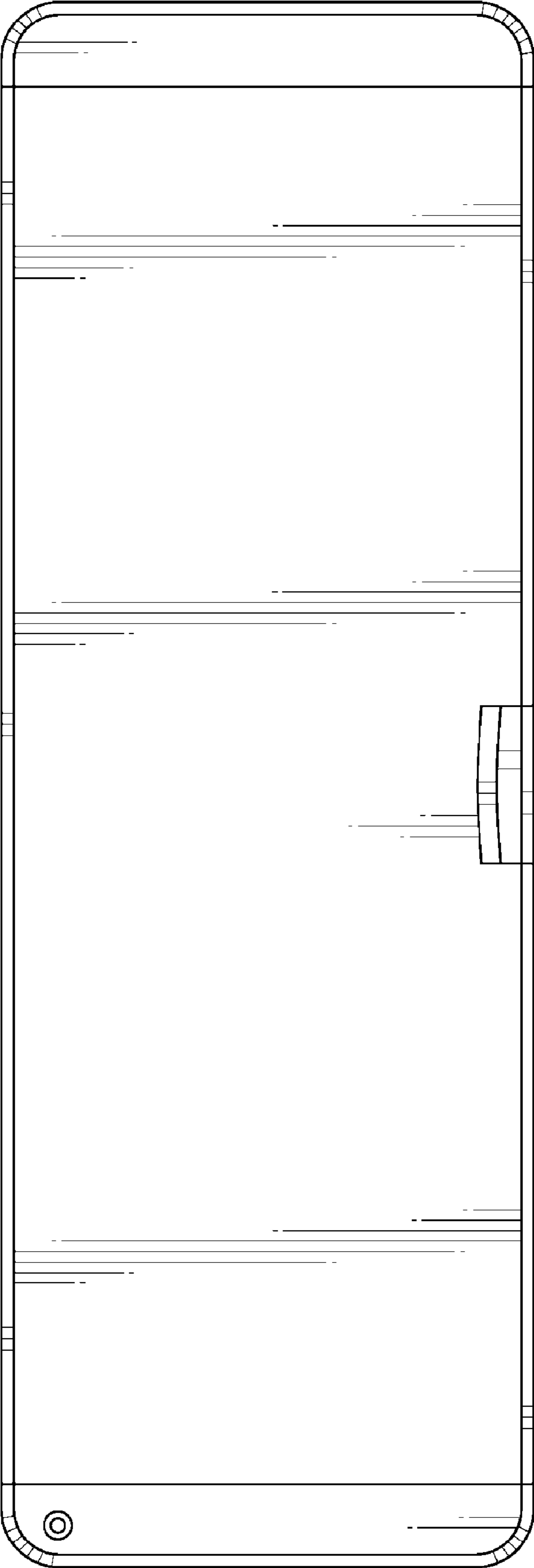


FIG. 3

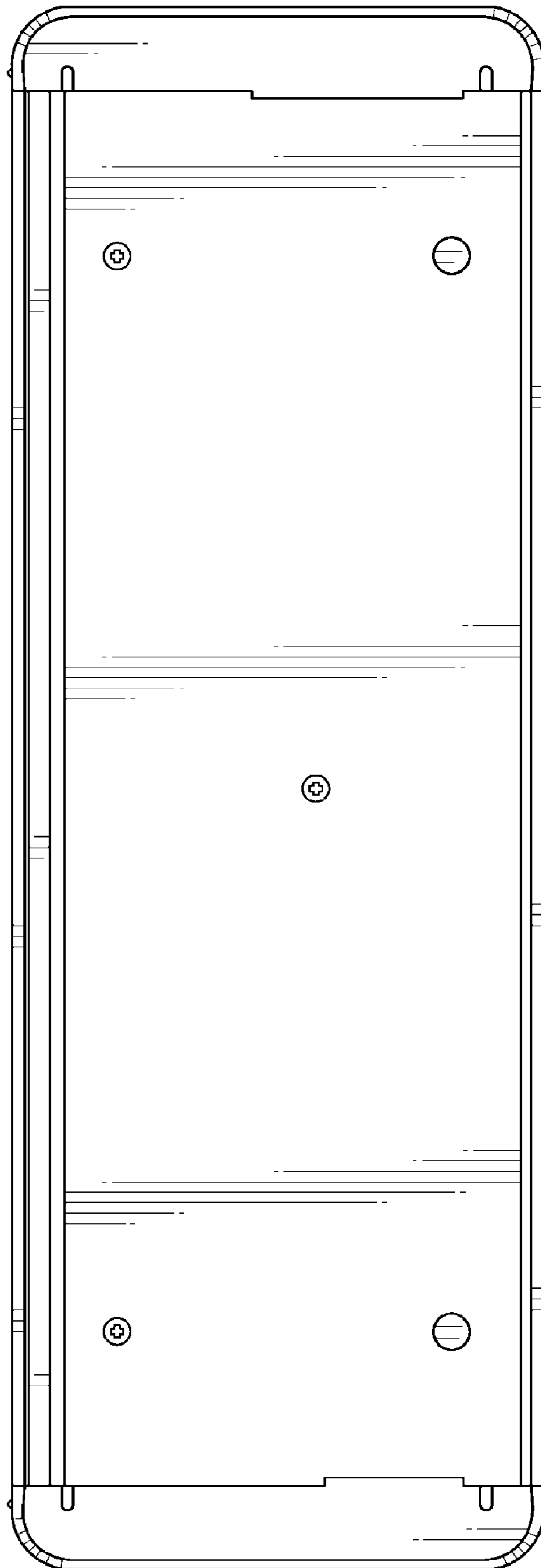


FIG. 4

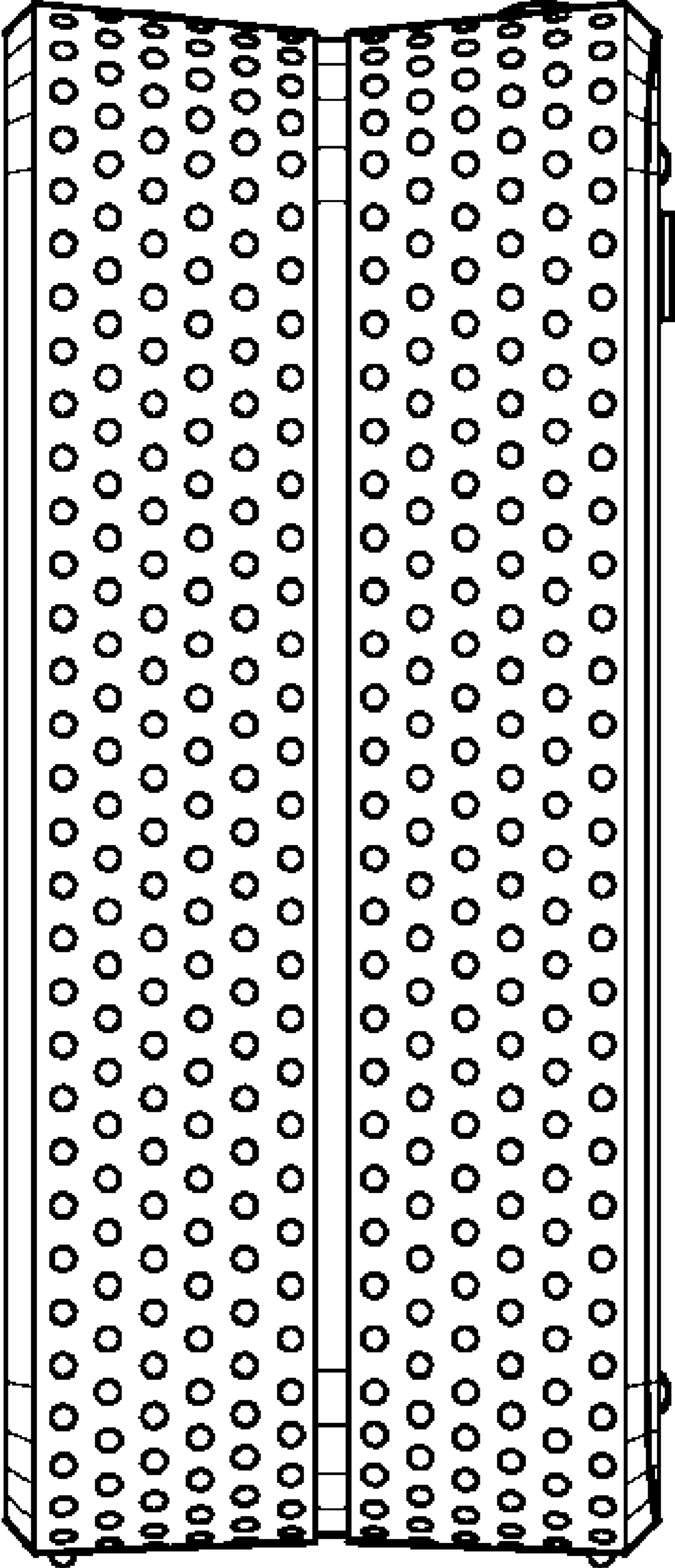


FIG. 5

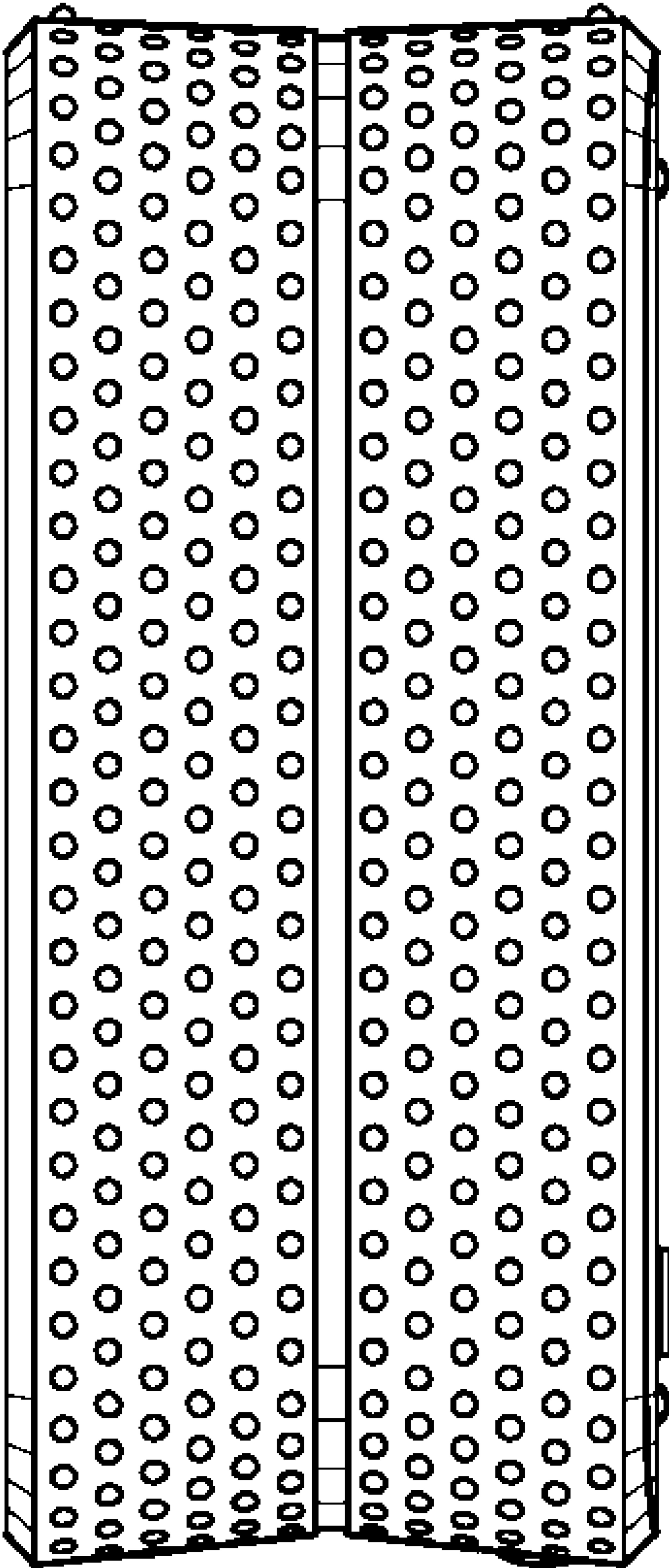


FIG. 6

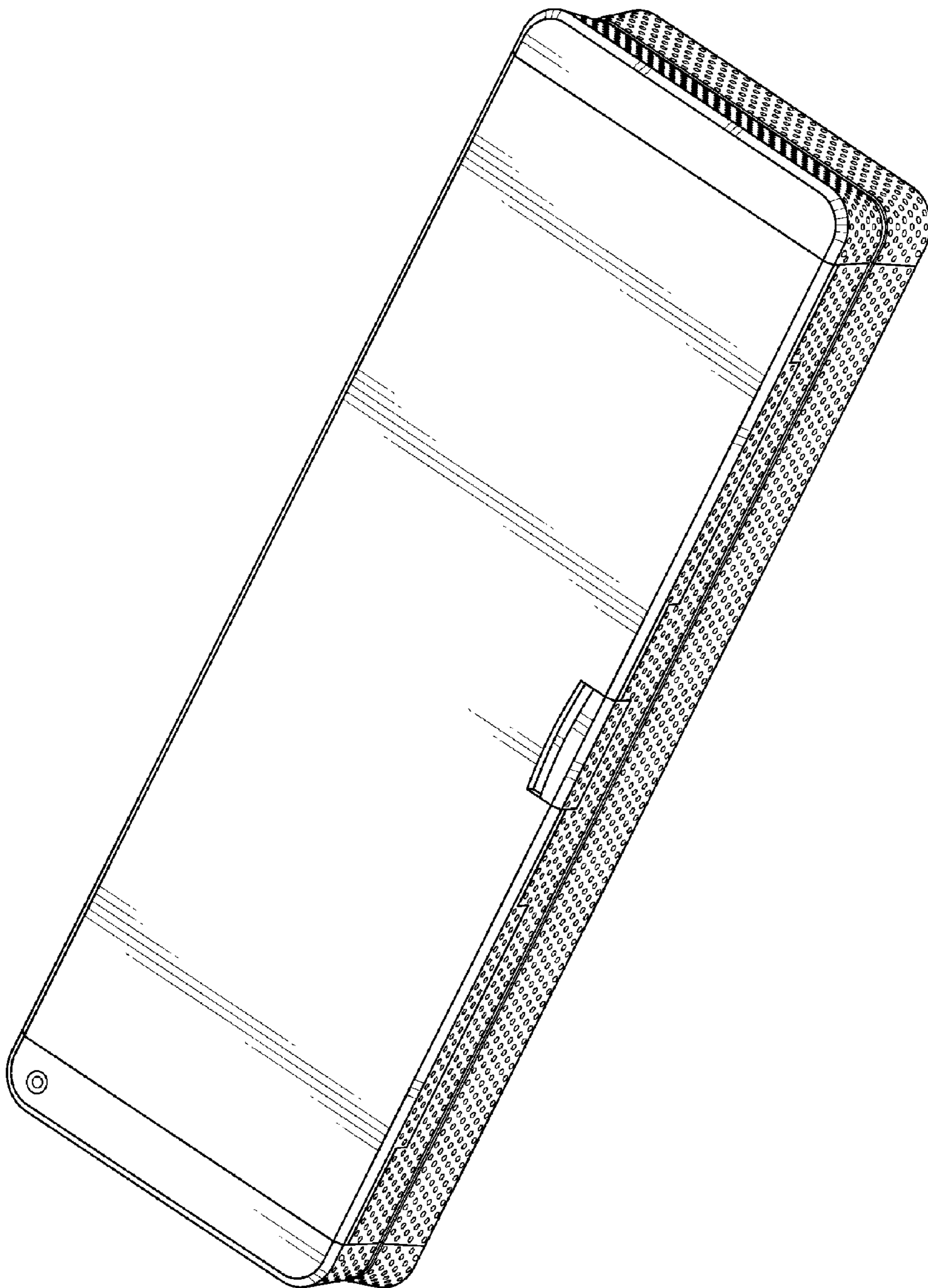


FIG. 7

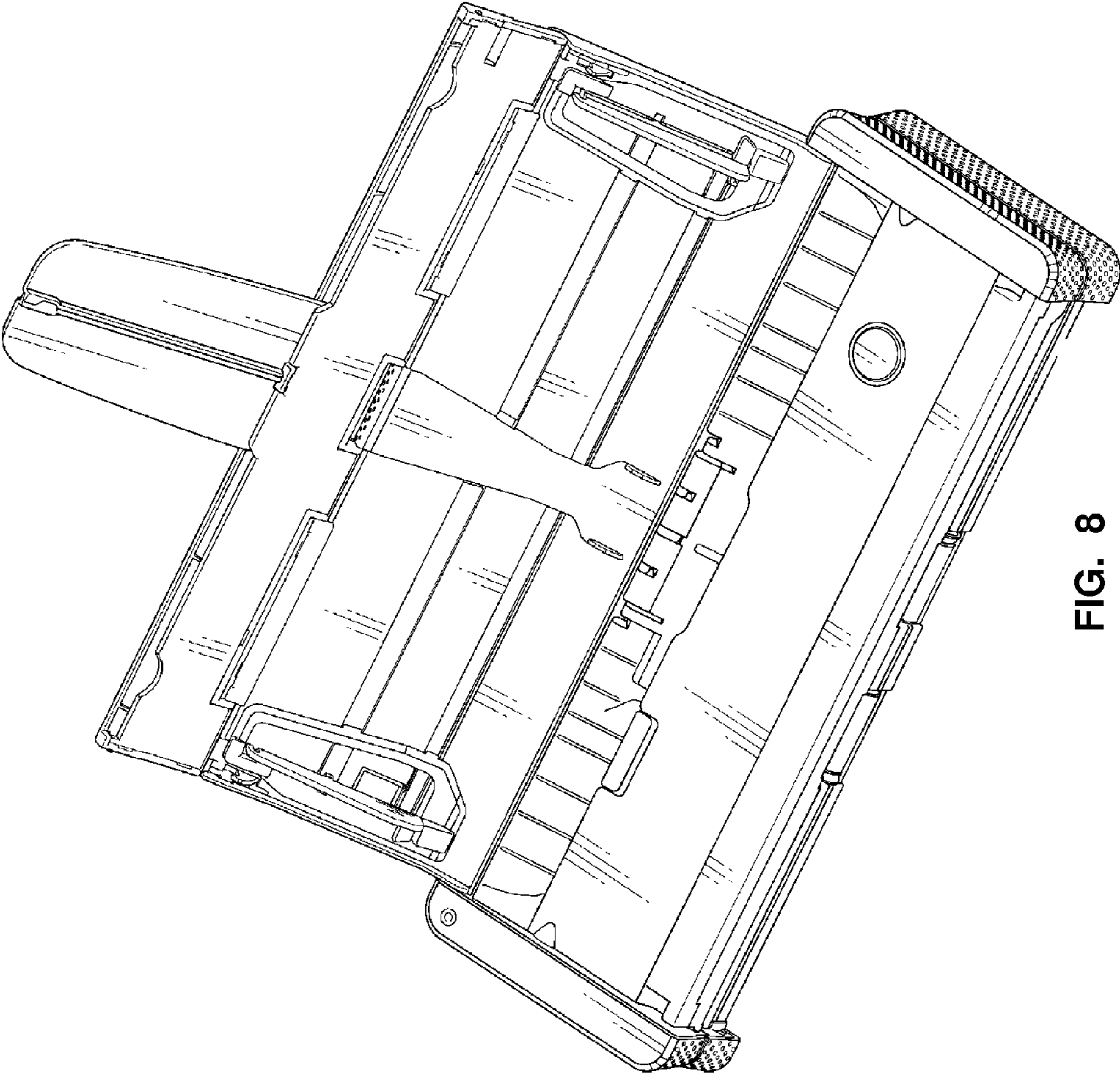


FIG. 8