



US00D631475S

(12) **United States Design Patent**  
**Burke et al.**

(10) **Patent No.:** **US D631,475 S**  
(45) **Date of Patent:** **\*\* Jan. 25, 2011**

(54) **DATA INPUT AND GAME CONTROL DEVICE**

(75) Inventors: **Michael Burke**, Calgary (CA); **Nino Caldarola**, Winnipeg (CA)

(73) Assignee: **Cyberhand Technologies International, Inc.**, Las Vegas, NV (US)

(\*\*) Term: **14 Years**

(21) Appl. No.: **29/325,758**

(22) Filed: **Oct. 6, 2008**

(51) **LOC (9) Cl.** ..... **14-02**

(52) **U.S. Cl.** ..... **D14/400; D21/333**

(58) **Field of Classification Search** ..... D14/217,  
D14/218, 356, 388, 399-401, 412-416, 432,  
D14/434, 454-457, 496; D21/324, 332,  
D21/333; 463/1, 30, 36-38, 46, 47; 345/156-161,  
345/905

See application file for complete search history.

(56) **References Cited**

**U.S. PATENT DOCUMENTS**

4,650,934	A	3/1987	Burke	
D315,896	S *	4/1991	Brown	D14/399
D364,648	S *	11/1995	Osterhout	D21/324
D422,029	S *	3/2000	Goto	D21/329
D448,754	S *	10/2001	Chang	D14/217
D487,733	S *	3/2004	Lucaci et al.	D14/138 AC

D491,945	S *	6/2004	Sheehan et al.	D14/399
D506,758	S *	6/2005	Boswell et al.	D14/413
D516,559	S *	3/2006	Cohen	D14/413
D559,889	S *	1/2008	Nakao et al.	D17/22
D561,239	S *	2/2008	Nakao et al.	D17/22
D584,291	S *	1/2009	Tsao	D14/218
2005/0270270	A1 *	12/2005	Chadha	345/157

\* cited by examiner

*Primary Examiner*—Stella M Reid

*Assistant Examiner*—Keli L Hill

(74) *Attorney, Agent, or Firm*—Greenberg Traurig

(57) **CLAIM**

The ornamental design for a data input and game control device, as shown and described.

**DESCRIPTION**

FIG. 1 is a top plan view of a data input and game control device, embodying my new design;

FIG. 2 is a perspective view thereof;

FIG. 3 is a bottom plan view thereof;

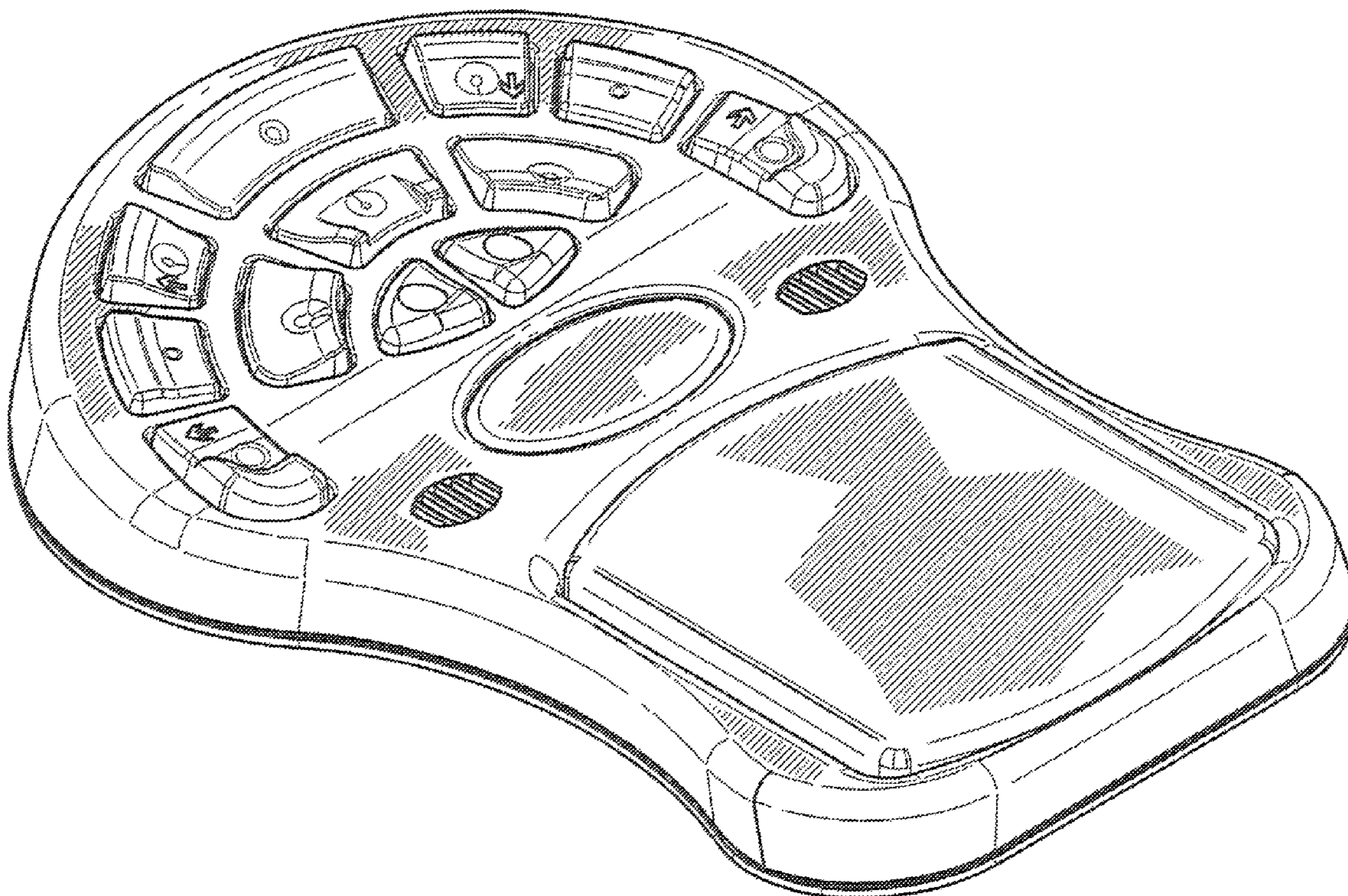
FIG. 4 is a front elevation view thereof;

FIG. 5 is a rear elevation view thereof;

FIG. 6 is a left side elevation view thereof; and,

FIG. 7 is a right side elevation view thereof.

**1 Claim, 7 Drawing Sheets**



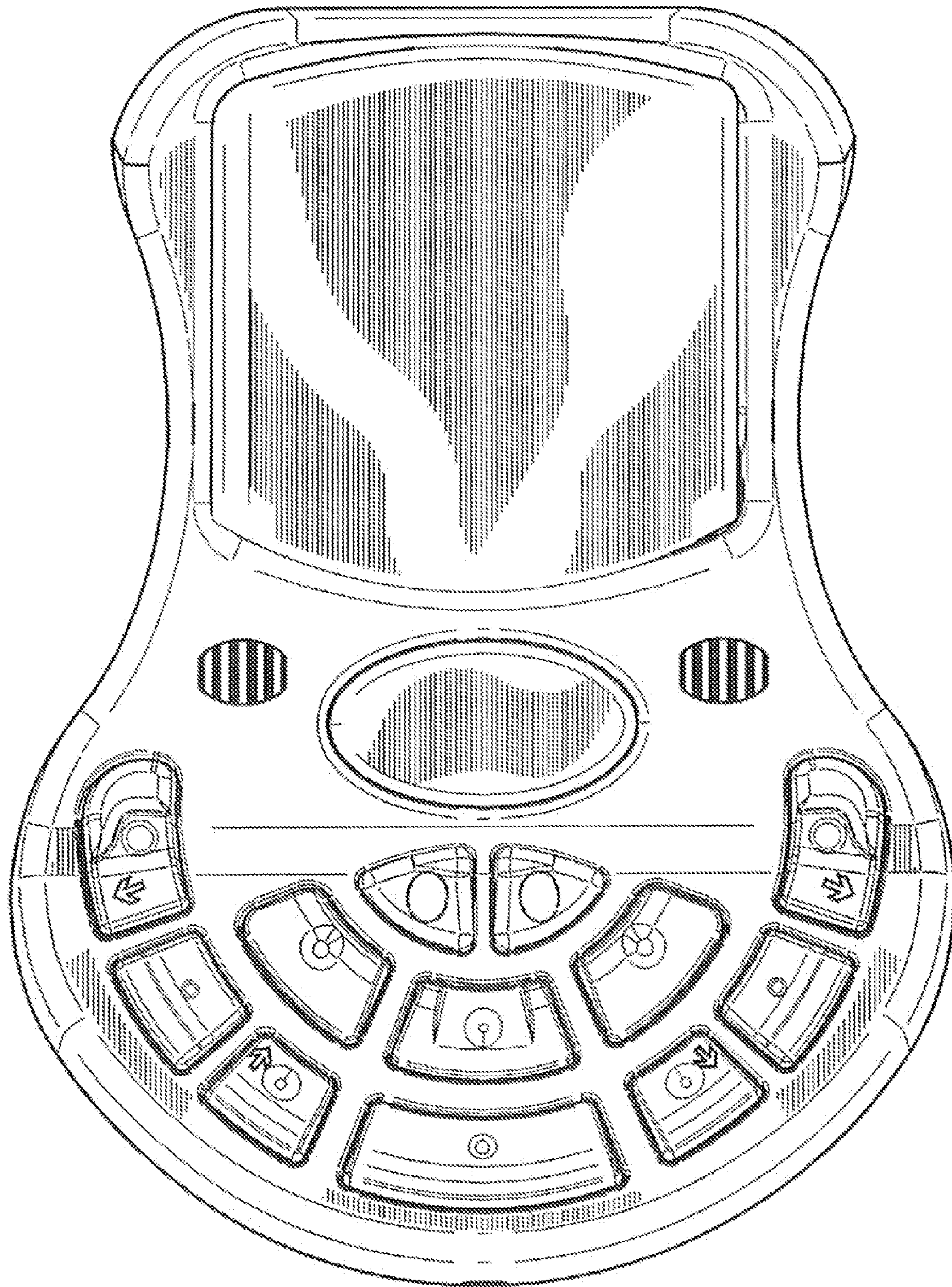


FIG. 1

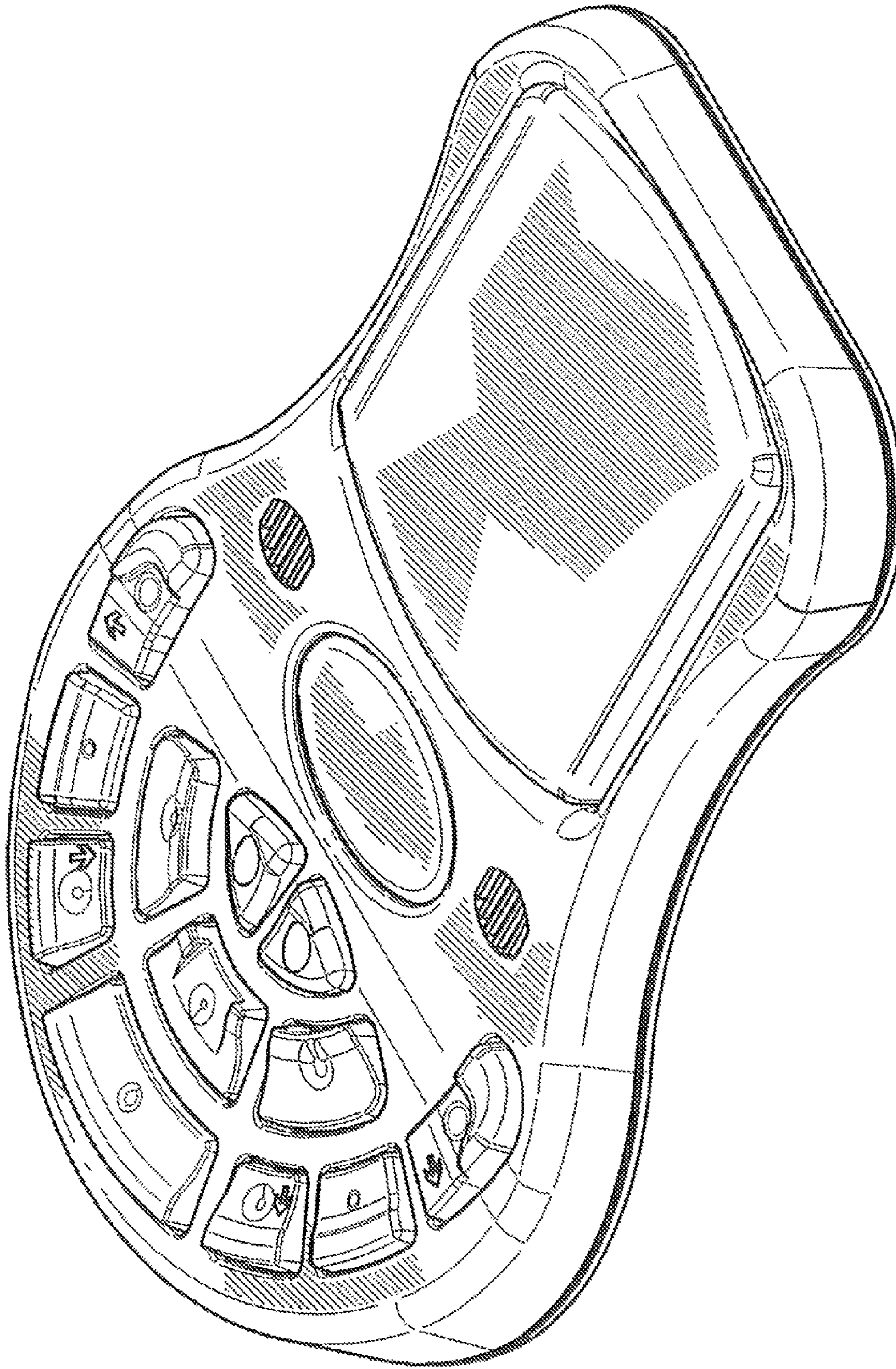


FIG. 2

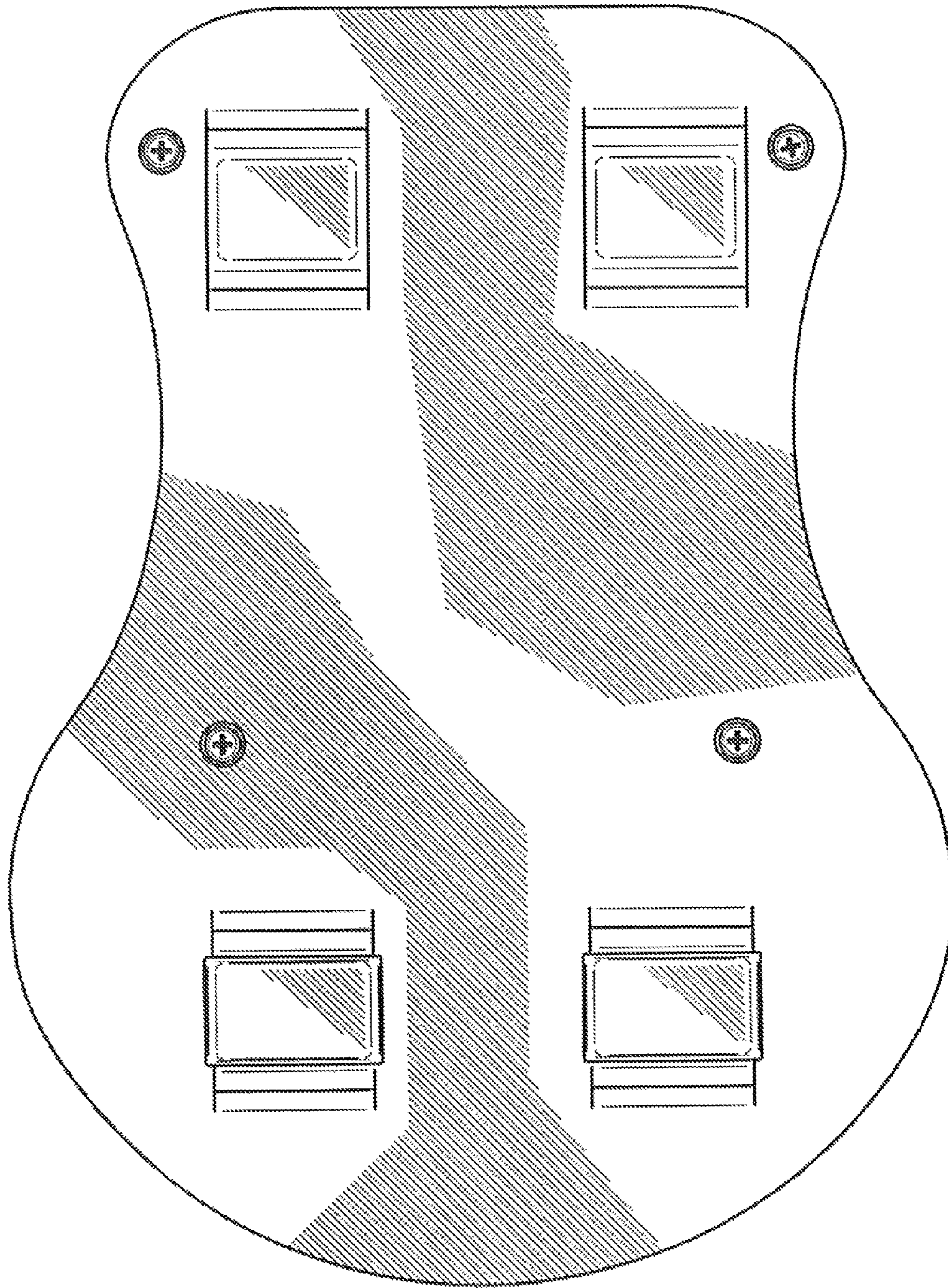


FIG. 3

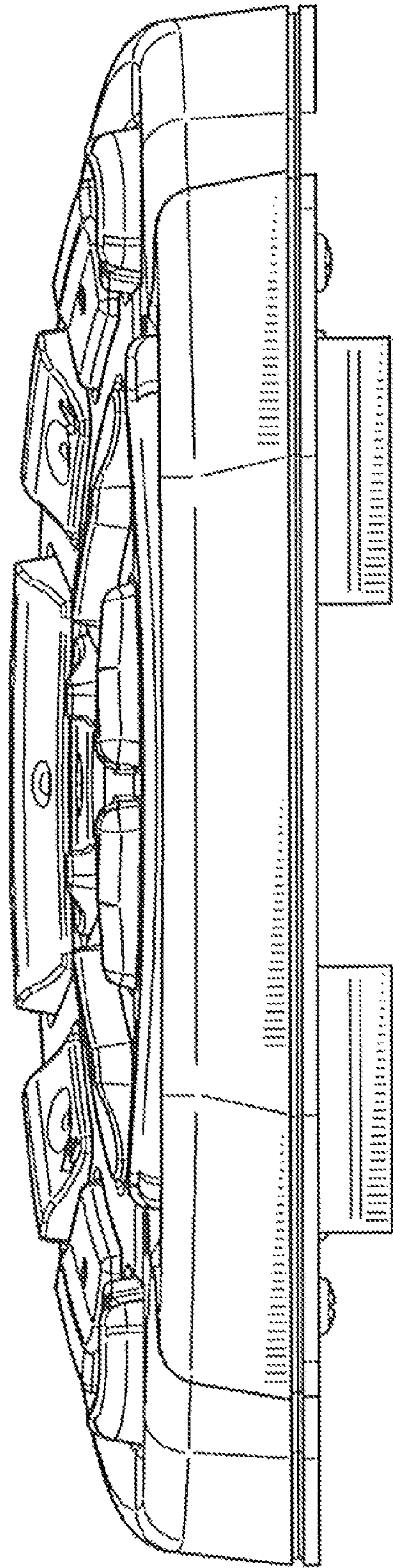


FIG. 4

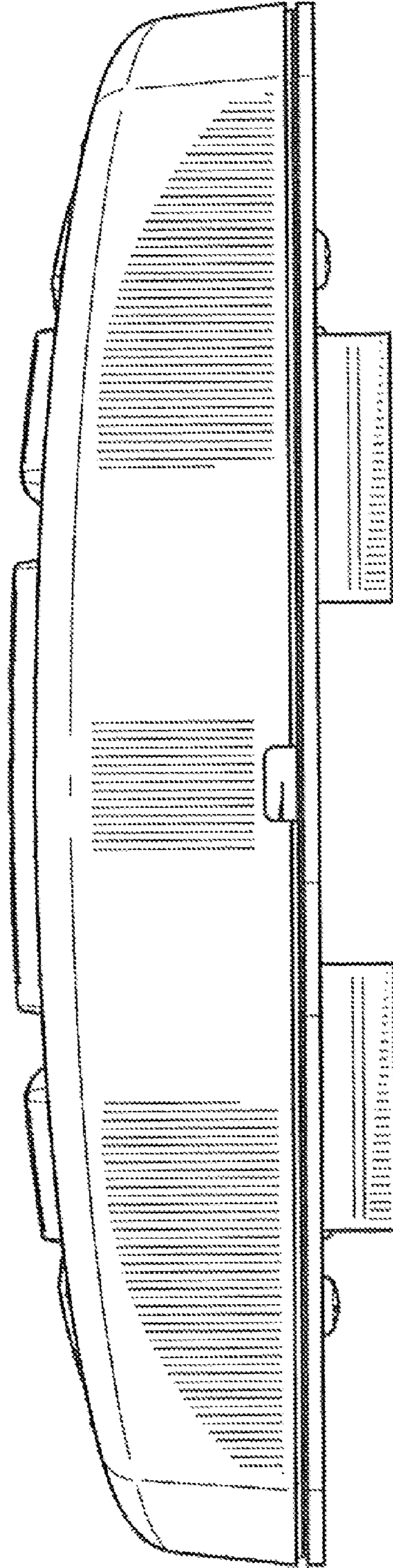


FIG. 5

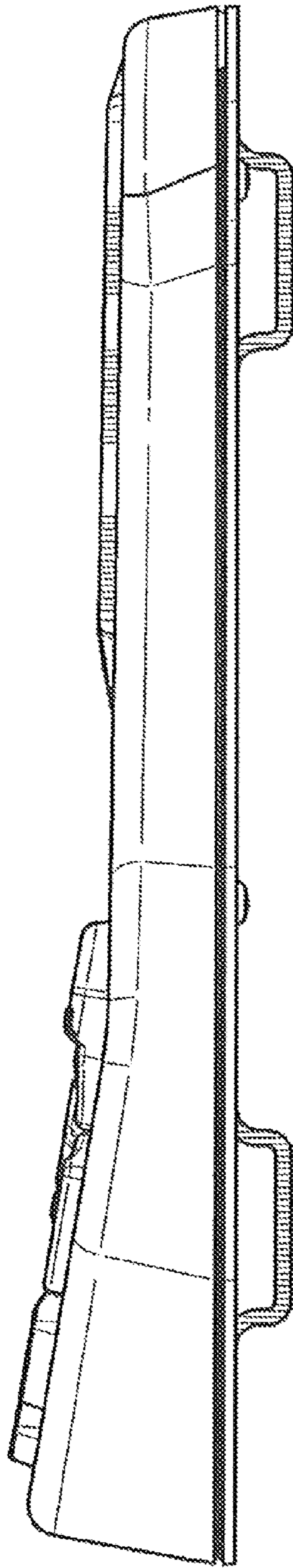


FIG. 6

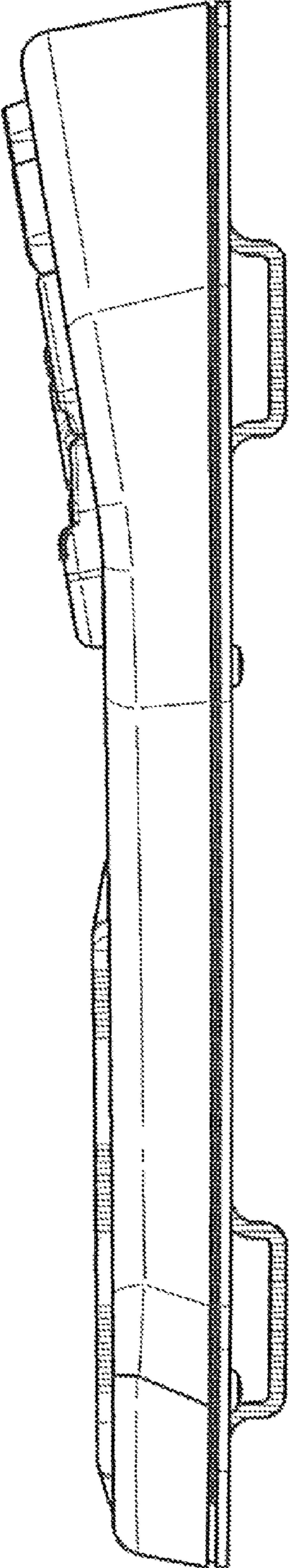


FIG. 7