



US00D631469S

(12) **United States Design Patent**  
**Demskie et al.**

(10) **Patent No.:** **US D631,469 S**  
(45) **Date of Patent:** **\*\* \*Jan. 25, 2011**

(54) **REMOTE CONTROL AND DISPLAY DEVICE**

(75) Inventors: **John Michael Demskie**, Prior Lake, MN (US); **Bruce William Gaunt**, Albertville, MN (US); **Stefan Reiley Freeman**, Minneapolis, MN (US); **Timothy James Morton**, Austin, TX (US)

(73) Assignee: **Remote Technologies, Inc.**, Shakopee, MN (US)

(\*) Notice: This patent is subject to a terminal disclaimer.

(\*\*) Term: **14 Years**

(21) Appl. No.: **29/355,580**

(22) Filed: **Feb. 10, 2010**

(51) **LOC (9) Cl.** ..... **14-03**

(52) **U.S. Cl.** ..... **D14/218**

(58) **Field of Classification Search** ..... D14/174, D14/137-139, 151, 217, 218, 191-193, 167, D14/299, 168, 247, 455, 456; D13/168, D13/162-164; D21/512-517, 566; D10/104, D10/106; 345/169; 348/114, 734; 455/352-355, 455/151.1-151.4, 128, 347, 90.3

See application file for complete search history.

(56) **References Cited**

**U.S. PATENT DOCUMENTS**

D317,151 S *	5/1991	Daly	.....	D14/342
D326,847 S *	6/1992	Savio	.....	D14/375
D356,548 S	3/1995	Bottcher et al.		
D392,620 S *	3/1998	Ashcraft et al.	.....	D13/168
D419,977 S *	2/2000	Chuo	.....	D14/375
D423,508 S *	4/2000	Nakajima	.....	D14/218
6,191,940 B1	2/2001	Ma		
D458,252 S	6/2002	Palm et al.		
D458,602 S	6/2002	Hasegawa et al.		
D478,051 S *	8/2003	Sagawa	.....	D13/168
D478,895 S *	8/2003	Oikawa	.....	D14/218
D493,148 S *	7/2004	Shibata et al.	.....	D13/168

D501,463 S *	2/2005	Hisatsune	.....	D14/218
D505,676 S *	5/2005	Porter et al.	.....	D14/388
D509,198 S *	9/2005	Ahn	.....	D14/126
D514,098 S	1/2006	Huang et al.		
D514,104 S	1/2006	Kawamoto et al.		
D518,007 S *	3/2006	Peng	.....	D14/129
D520,003 S	5/2006	Rinna et al.		
D520,989 S *	5/2006	Miller	.....	D14/218
D521,002 S	5/2006	Rinna et al.		
D524,308 S	7/2006	Lai		
D529,910 S	10/2006	Ota		
D530,325 S *	10/2006	Kerila et al.	.....	D14/356
D547,282 S	7/2007	Hsiung		
D547,283 S	7/2007	Hsiung		
D547,284 S	7/2007	Hsiung		
D548,207 S	8/2007	Hsiung		

(Continued)

*Primary Examiner*—T. Chase Nelson  
*Assistant Examiner*—John Windmuller  
(74) *Attorney, Agent, or Firm*—Larkin Hoffman Daly & Lindgren Ltd.; Craig J. Lervick

(57) **CLAIM**

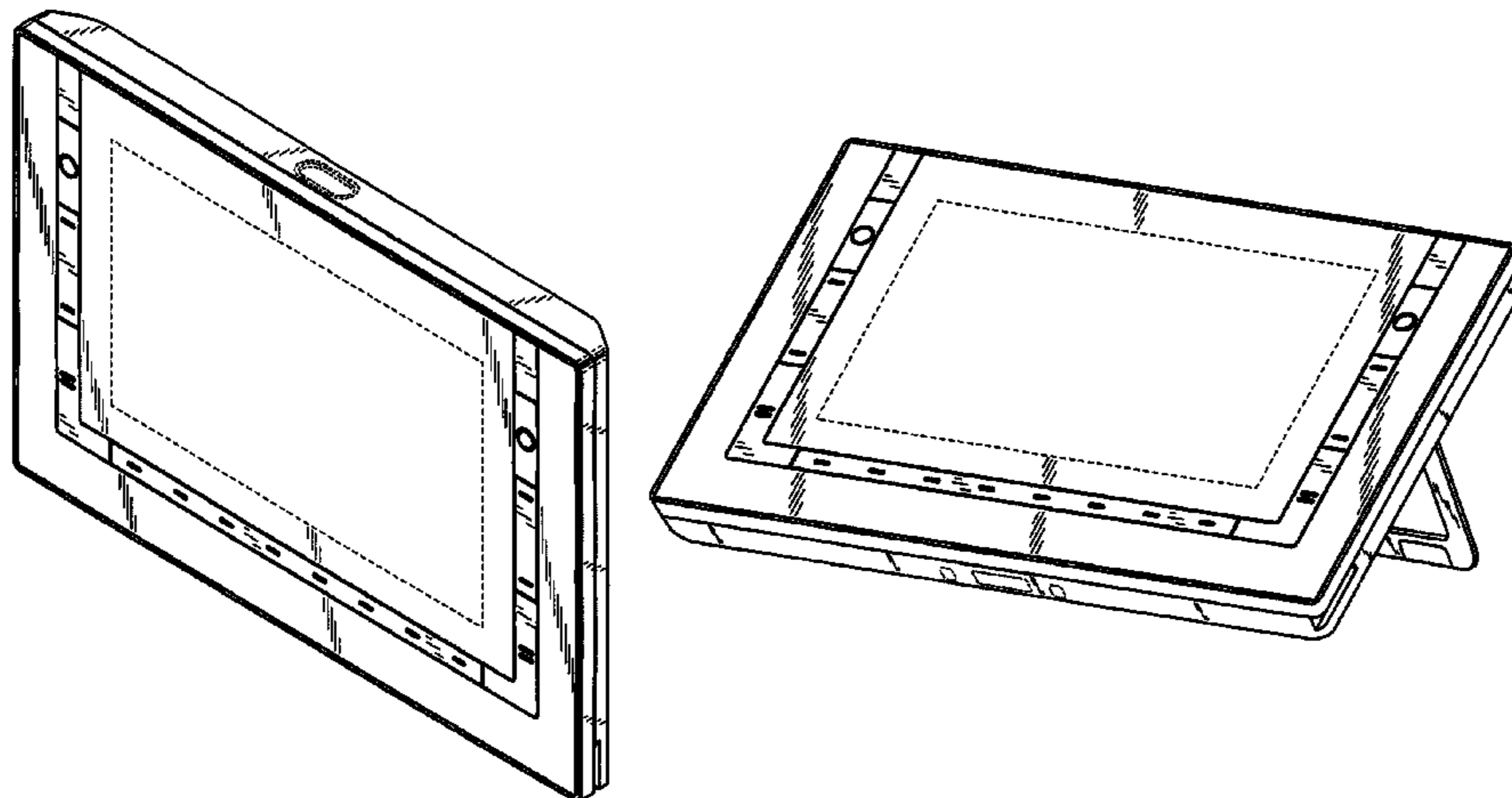
The ornamental design for a remote control and display device, as shown and described.

**DESCRIPTION**

FIG. 1 is a perspective view of a remote control and display device showing our new design;  
FIG. 2 is a front view thereof;  
FIG. 3 is a rear view thereof;  
FIG. 4 is a top view thereof;  
FIG. 5 is a bottom view thereof;  
FIG. 6 is a side view thereof; and,  
FIG. 7 is a perspective view thereof in an alternate position of use.

In the drawings, the broken lines depict environmental subject matter only and form no part of the claimed design.

**1 Claim, 4 Drawing Sheets**



# US D631,469 S

Page 2

---

## U.S. PATENT DOCUMENTS

D551,196 S	9/2007	Hsiung	
D551,226 S	9/2007	Lee et al.	
D556,161 S	11/2007	Hsiung	
7,299,580 B2	11/2007	Wang et al.	
7,301,759 B2	11/2007	Hsiung	
D556,700 S *	12/2007	Igarashi	..... D13/168
D561,137 S	2/2008	Hsiung	
D566,074 S	4/2008	Wada	
D582,308 S *	12/2008	Kajita	..... D10/94
D582,875 S *	12/2008	Haspil et al.	..... D14/138 G
D587,261 S	2/2009	Skaf et al.	
D590,374 S *	4/2009	Madonna et al.	..... D14/218
D600,242 S *	9/2009	Yeh et al.	..... D14/341
D606,981 S *	12/2009	Kaneko	..... D14/218
2008/0069323 A1 *	3/2008	Walter et al.	..... 379/111

\* cited by examiner

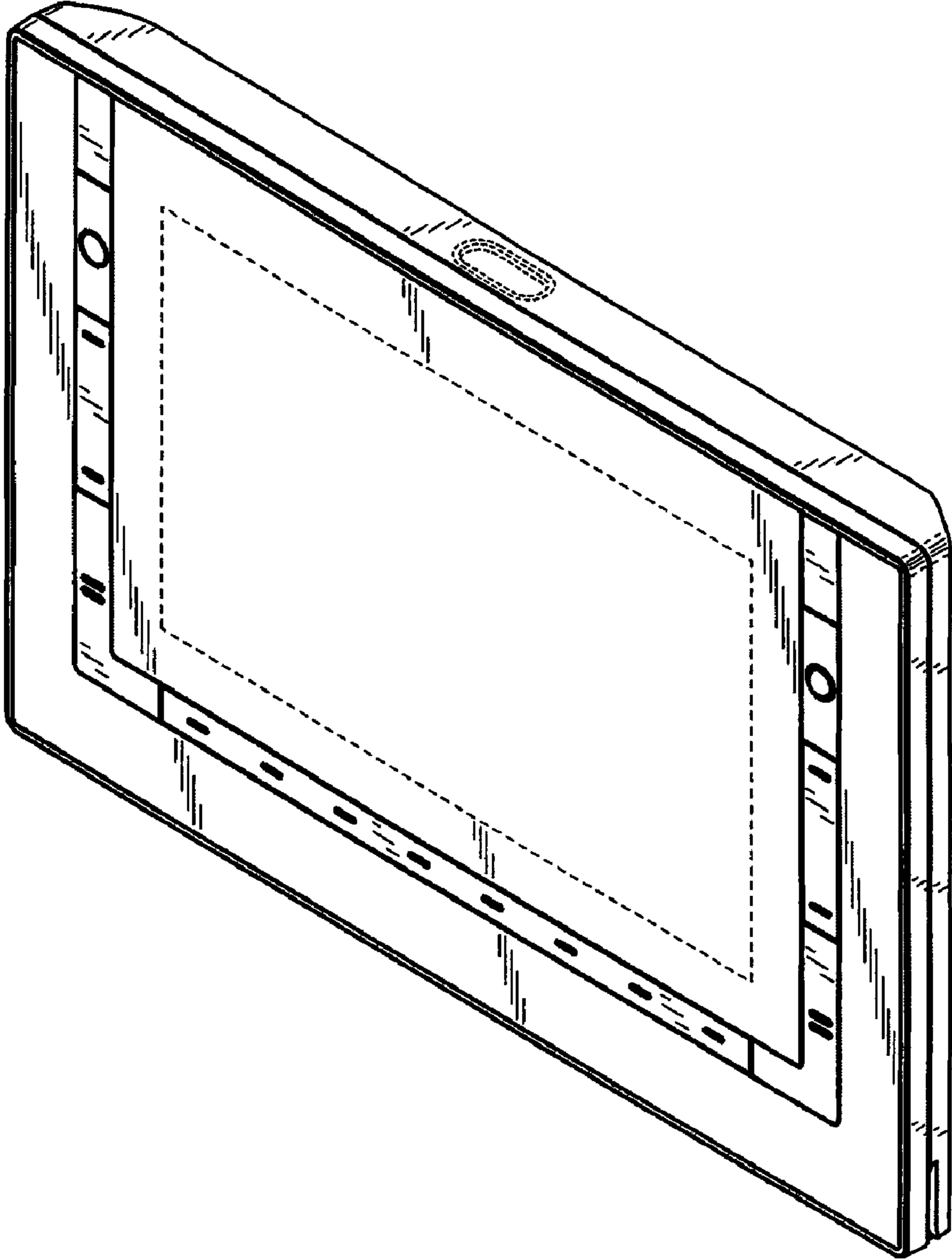


Fig. 1

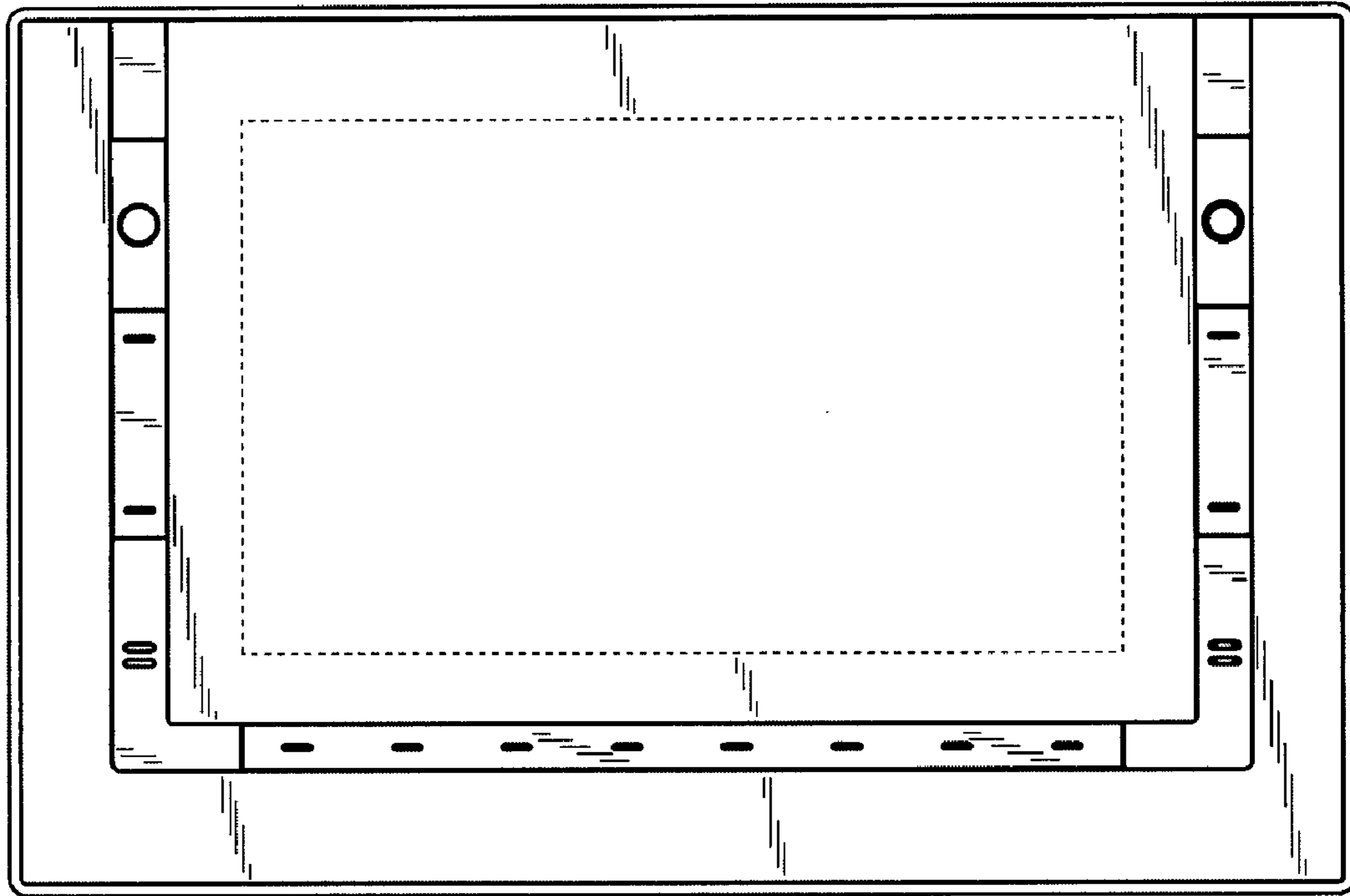


Fig. 2

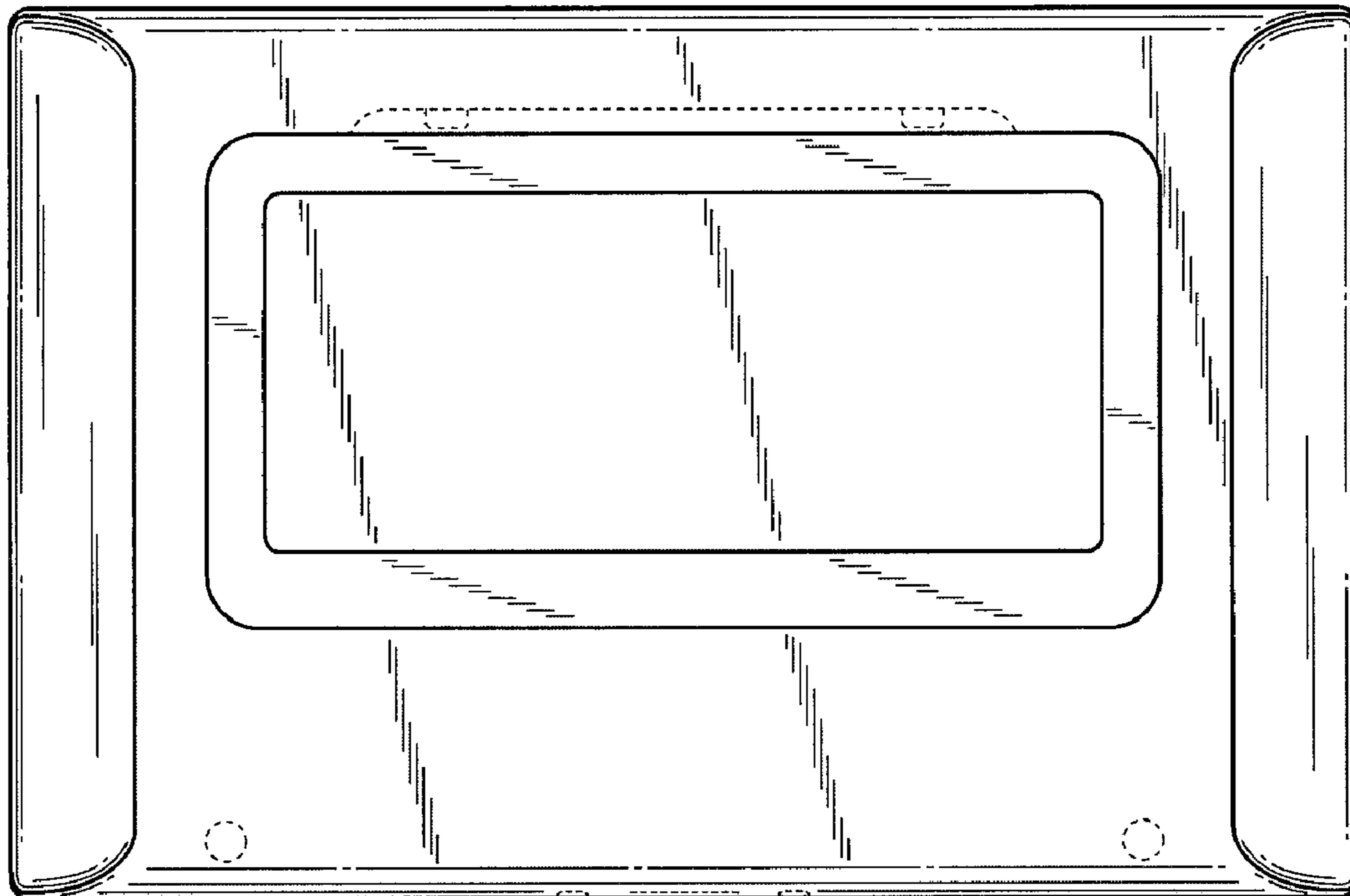
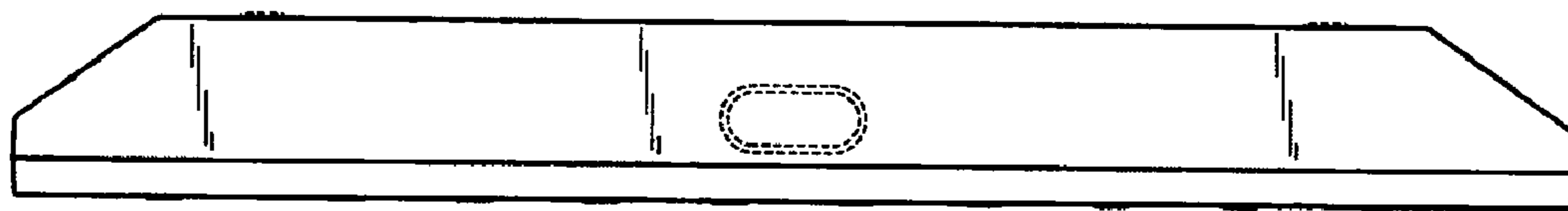
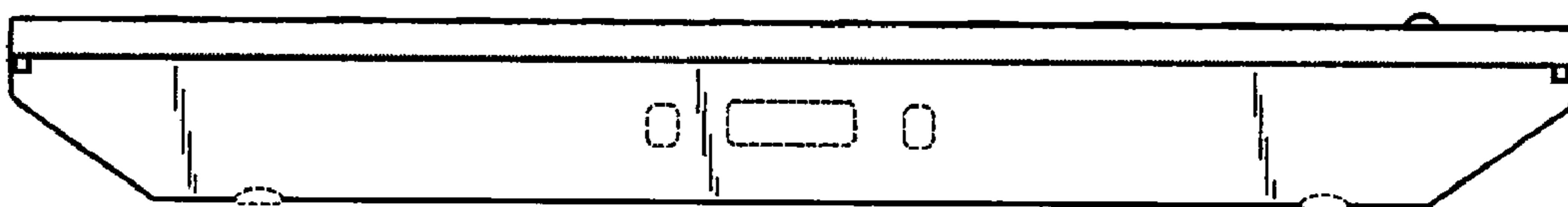


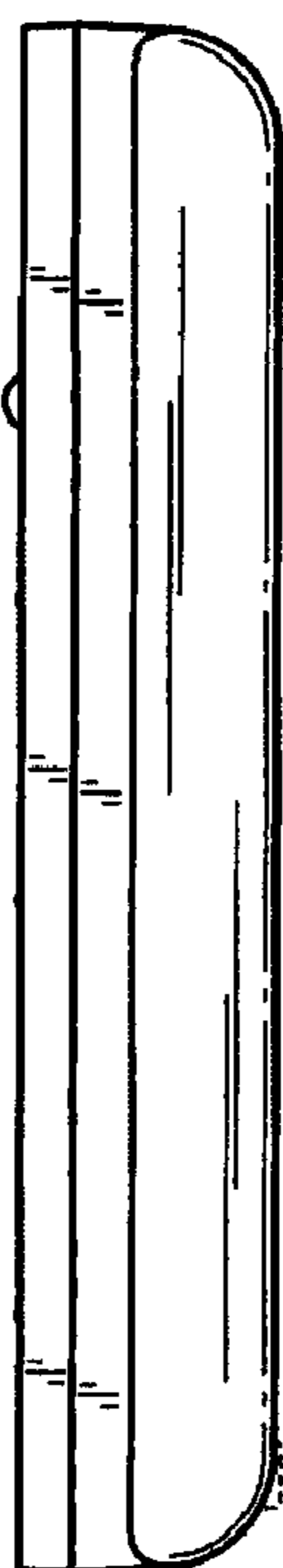
Fig. 3



**Fig. 4**



**Fig. 5**



**Fig. 6**

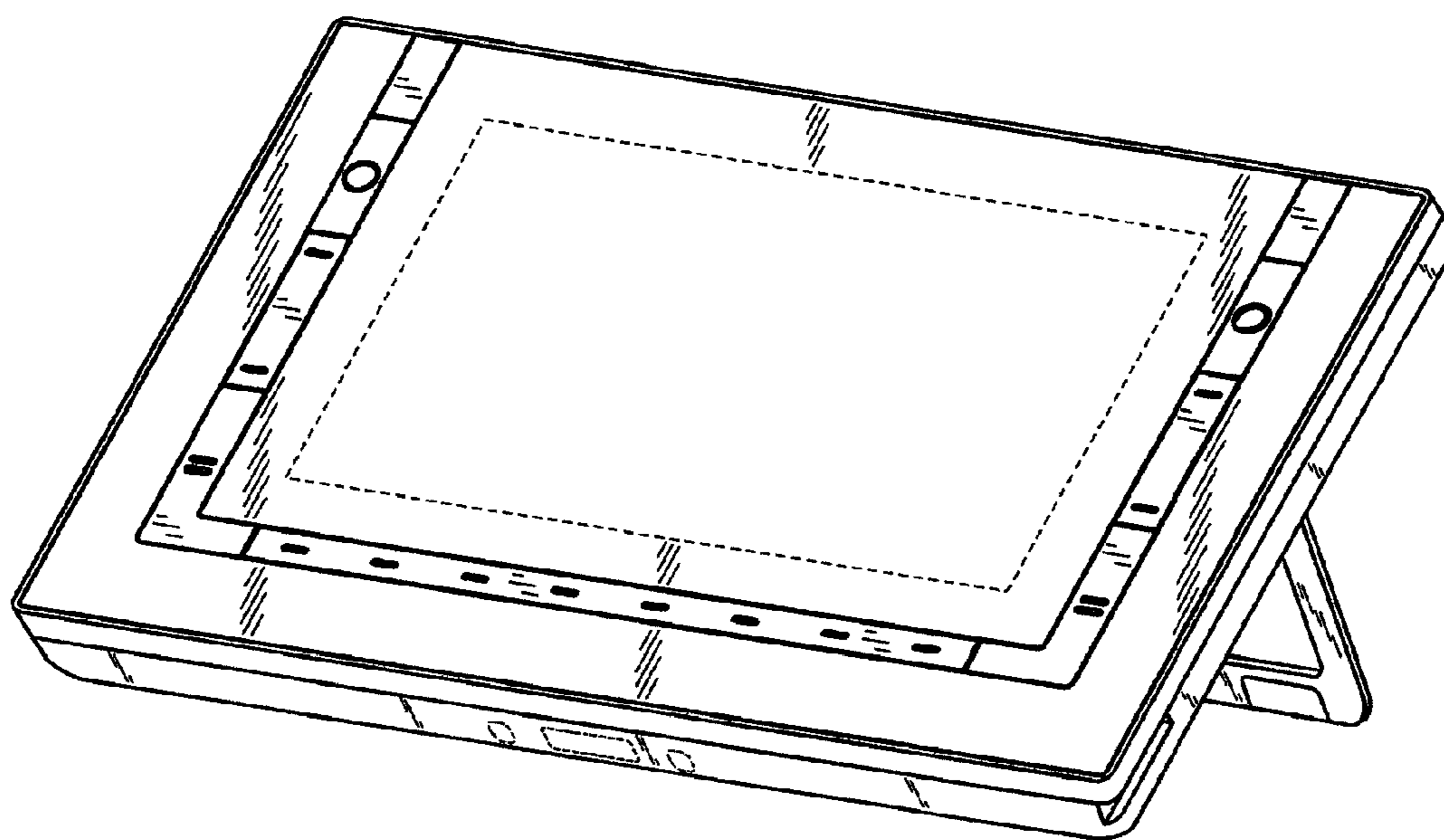


Fig. 7