



US00D631467S

(12) **United States Design Patent**
Shimizu et al.

(10) **Patent No.:** **US D631,467 S**
(45) **Date of Patent:** **** Jan. 25, 2011**

(54) **COVER FOR CONNECTING TERMINAL OF ELECTRONIC DEVICE**

(75) Inventors: **Yosuke Shimizu**, Tokyo (JP); **Masaaki Ohara**, Tokyo (JP)

(73) Assignee: **Sony Corporation**, Tokyo (JP)

(**) Term: **14 Years**

(21) Appl. No.: **29/347,899**

(22) Filed: **Jul. 19, 2010**

Related U.S. Application Data

(63) Continuation of application No. 29/347,140, filed on Sep. 30, 2009, now Pat. No. Des. 624,052.

(30) **Foreign Application Priority Data**

Apr. 10, 2009	(JP)	2009-008312
Apr. 17, 2009	(CN)	2009 3 0184421
Apr. 17, 2009	(CN)	2009 3 0184432
Apr. 17, 2009	(CN)	2009 3 0184434

(51) **LOC (9) Cl.** **14-02**

(52) **U.S. Cl.** **D14/217; D14/432; D14/434**

(58) **Field of Classification Search** D14/356, D14/432-434, 453, 454, 511, 203.8, 209.1, D14/217, 238.1; 439/638, 928; 710/303, 710/304; 361/679.41, 679.55, 679.56, 679.43
See application file for complete search history.

(56) **References Cited**

U.S. PATENT DOCUMENTS

D320,200 S *	9/1991	Kirwan et al.	D14/453
D328,277 S	7/1992	Leman et al.		
D332,950 S *	2/1993	Kirwan et al.	D14/453
D336,631 S	6/1993	Ivester		
D350,330 S	9/1994	Peterson		
D358,821 S	5/1995	Hellier et al.		
D374,858 S	10/1996	Chu		
5,600,225 A	2/1997	Goto		
5,602,458 A	2/1997	Dowe		

5,627,727 A	5/1997	Aguilera et al.
D385,530 S	10/1997	Hames et al.
D388,764 S	1/1998	Bartling et al.
D390,824 S	2/1998	Foster et al.

(Continued)

OTHER PUBLICATIONS

“Kodak EasyShare print dock 6000,” p. 4, 4 sheets, http://www.kodak.com/global/plugins/acrobat/en/service/manuals/urg00041/PD6000_GLB_en.pdf, East Kodak Company (2003).

(Continued)

Primary Examiner—Cathron C Brooks

Assistant Examiner—Deanna Fluegeman

(74) *Attorney, Agent, or Firm*—Rader, Fishman & Grauer PLLC

(57) **CLAIM**

The ornamental design for a cover for connecting terminal of electronic device, as shown and described.

DESCRIPTION

FIG. 1 is a front, top, right perspective view of a cover for connecting terminal of electronic device showing our new design;

FIG. 2 is a rear, top, left perspective view thereof;

FIG. 3 is a rear, right, bottom perspective view thereof;

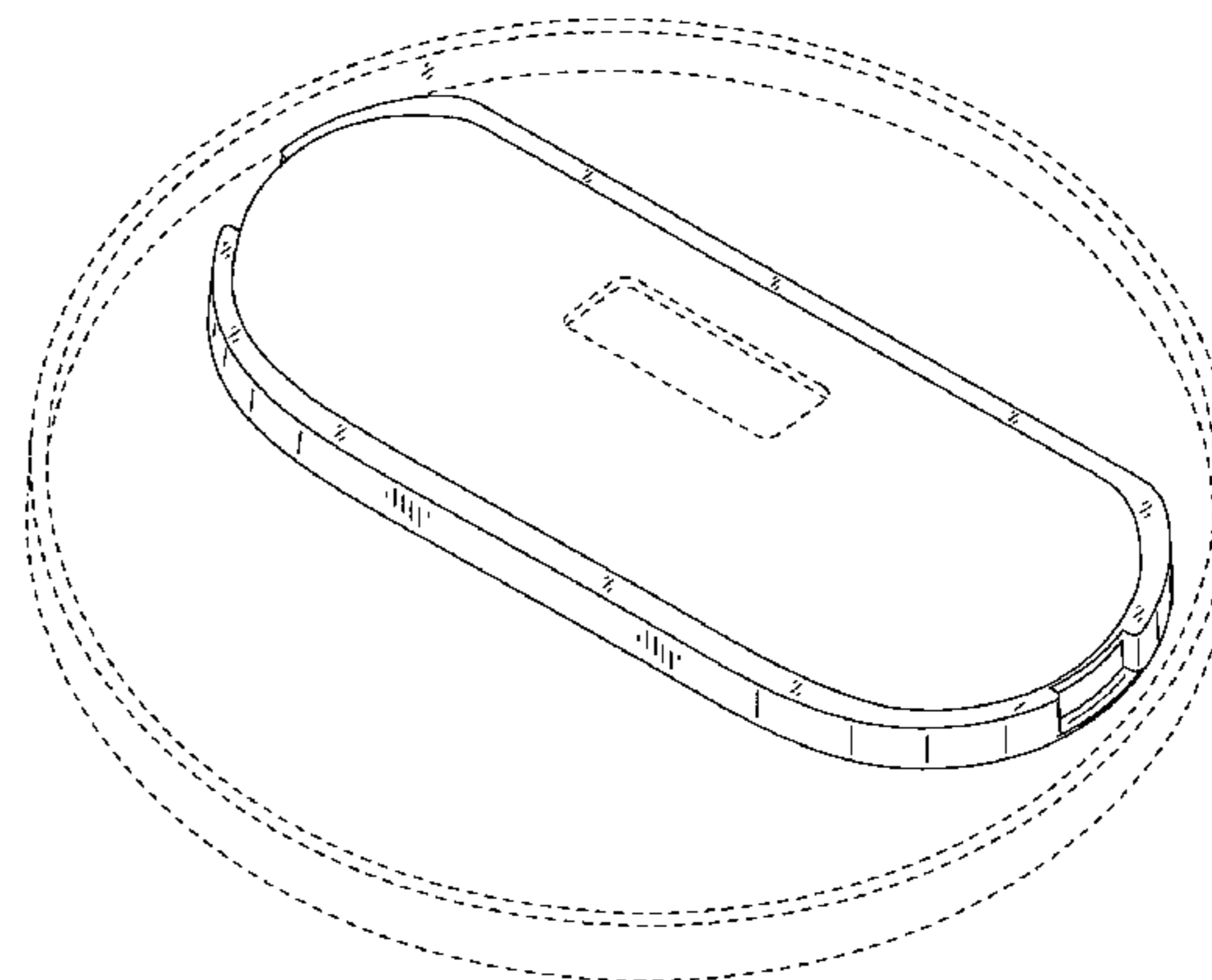
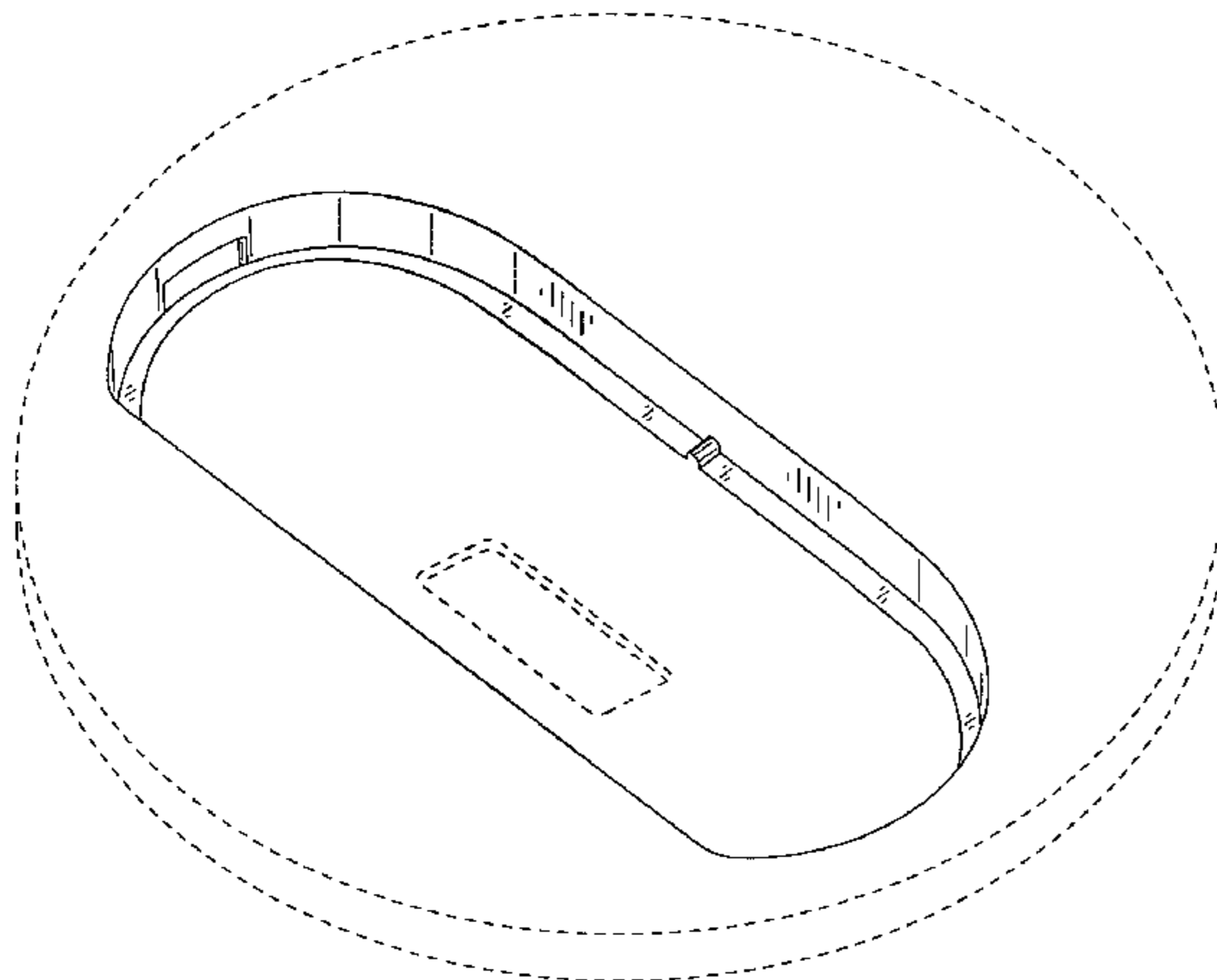
FIG. 4 is a front, left, bottom perspective view thereof;

FIG. 5 is a top plan view thereof; and,

FIG. 6 is a bottom plan view thereof.

The broken lines illustrate unclaimed portions of the cover for connecting terminal of electronic device and form no part of the claimed design.

1 Claim, 6 Drawing Sheets



U.S. PATENT DOCUMENTS

D397,996 S	9/1998	Smith	D554,107 S	10/2007	Calco et al.	
D409,987 S	5/1999	Okumura	D554,108 S	10/2007	Solland	
D411,166 S	6/1999	Uemura et al.	D555,148 S	11/2007	Mittersinker et al.	
5,952,814 A	9/1999	Van Lerberghe	D557,319 S	12/2007	Schoenert et al.	
D416,536 S	11/1999	Ross et al.	D558,207 S	12/2007	Ikeda et al.	
D419,160 S	1/2000	Davidson et al.	D558,208 S	12/2007	Ikeda et al.	
6,042,414 A	3/2000	Kunert	D558,209 S	12/2007	Ikeda et al.	
D422,556 S	4/2000	Okura et al.	D558,738 S	1/2008	Andre et al.	
D439,908 S	4/2001	Gozani	D558,739 S	1/2008	Andre et al.	
D440,542 S	4/2001	Hawkins et al.	D561,177 S	2/2008	Mittersinker et al.	
D442,939 S	5/2001	Goldenburg	D568,297 S	5/2008	Andre et al.	
D444,121 S	6/2001	Chun et al.	D570,335 S	6/2008	Andre et al.	
D444,124 S	6/2001	Casey et al.	7,381,095 B2	6/2008	Freeman et al.	
6,307,348 B1	10/2001	Green	D575,275 S	8/2008	Andre et al.	
D450,707 S	11/2001	Francavilla et al.	D578,110 S	10/2008	Andre et al.	
D454,332 S	3/2002	Yokoyama	D578,512 S	10/2008	Andre et al.	
D459,299 S	6/2002	Hughes et al.	D580,855 S	11/2008	Haspil et al.	
D460,971 S	7/2002	Sica et al.	D580,856 S	11/2008	Haspil et al.	
D461,476 S	8/2002	Evers et al.	D582,887 S	12/2008	Poandl	
D463,361 S	9/2002	Ruohonen	D585,898 S	2/2009	Skurdal	
D466,122 S	11/2002	Moody	D595,265 S *	6/2009	Andre et al.	D14/217
D468,305 S	1/2003	Ma et al.	D595,266 S *	6/2009	Andre et al.	D14/217
6,524,240 B1	2/2003	Thede	D596,621 S	7/2009	Andre et al.	
D472,900 S	4/2003	Matsumoto	D597,079 S *	7/2009	Andre et al.	D14/217
D477,823 S	7/2003	Lavello, Sr.	7,580,255 B2	8/2009	Crooijmans et al.	
6,711,005 B2	3/2004	Martin	D599,783 S	9/2009	Andre et al.	
D495,336 S	8/2004	Andre et al.	D605,174 S *	12/2009	Andre et al.	D14/217
6,788,528 B2	9/2004	Enners et al.	D606,518 S *	12/2009	Andre et al.	D14/217
6,798,647 B2	9/2004	Dickie	7,643,283 B2	1/2010	Jubelirer et al.	
6,813,528 B1	11/2004	Yang	7,675,746 B2	3/2010	Crooijmans et al.	
D504,893 S	5/2005	Araki	7,738,247 B2 *	6/2010	Choi	361/679.43
6,898,080 B2	5/2005	Yin et al.	2002/0103008 A1	8/2002	Rahn et al.	
D505,958 S	6/2005	Cheng	2003/0198015 A1	10/2003	Vogt	
D510,091 S	9/2005	Mori et al.	2006/0181840 A1	8/2006	Cvetko	
6,987,988 B2	1/2006	Uchiyama	2006/0250764 A1	11/2006	Howarth et al.	
D523,847 S	6/2006	Naruki	2007/0047198 A1	3/2007	Crooijmans et al.	
D525,616 S	7/2006	Andre et al.	2007/0217145 A1 *	9/2007	Sung	361/686
7,075,579 B2	7/2006	Whitby et al.				
D526,321 S	8/2006	Hayes et al.				
D530,717 S	10/2006	Mori et al.				
D532,005 S	11/2006	Leith				
D532,369 S	11/2006	Shimizu				
7,145,603 B2	12/2006	Whitby et al.				
D535,614 S	1/2007	Majanen et al.				
7,180,733 B2	2/2007	Chang				
D538,433 S	3/2007	Lorimer et al.				
D540,327 S	4/2007	Wong et al.				
D540,802 S	4/2007	Hussaini et al.				
D542,279 S	5/2007	Chan				
D544,547 S	6/2007	Solland				
D544,899 S	6/2007	Li et al.				
D545,812 S	7/2007	Grady et al.				
D548,235 S	8/2007	Krieger et al.				
7,256,990 B2	8/2007	Grunow et al.				
7,258,709 B2	8/2007	Ponjican et al.				
D551,212 S	9/2007	Andre et al.				
D551,213 S	9/2007	Andre et al.				
D551,214 S	9/2007	Hussaini et al.				
D551,658 S	9/2007	Hussaini et al.				
7,269,002 B1	9/2007	Turner et al.				
D552,085 S	10/2007	Andre et al.				
D552,598 S	10/2007	Bart				
D553,106 S	10/2007	Griffin				
D553,123 S	10/2007	Sulland				
D553,608 S	10/2007	Williamson et al.				

OTHER PUBLICATIONS

“Kodak EasyShare printer dock plus,” p. 2-3, 5 sheets, http://www.kodak.com/global/plugins/acrobat/en/service/manuals/urg00271/PDPlus_GLB_en.pdf, East Kodak Company (2004).

“Kodak EasyShare print dock series 3,” p. 2, 6 sheets, http://www.kodak.com/global/plugins/acrobat/en/service/manuals/urg00367/PD3_GLB_en.pdf, East Kodak Company (2004).

“Kodak EasyShare G600 printer dock,” p. 2, 5 sheets, http://www.kodak.com/global/plugins/acrobat/en/service/manuals/urg00536/G600_GLB_en.pdf, East Kodak Company (2006).

“Kodak EasyShare G610 printer dock,” p. 2, 5 sheets, http://www.kodak.com/global/plugins/acrobat/en/service/manuals/urg00681/G610_UG_GLB_en.pdf, East Kodak Company (2006).

“Cradle, Operating Instructions / Mode d’emploi Walkman® BCR-NWU3,” 1 sheet, Sony Corp. (2006).

Web page, “Walkman® Cradle BCR-NWU3,” <http://www.sonystyle.com/webapp/wcs/stores/servlet/ProductDisplay?catalogId=10551&storeId=10151&langId=-1&productId=8198552921665058449#additionalImage1>, 2 sheets, Sony Corp. (2006).

“Active Speaker System Operating Instructions Mode d’emploi Manual de instrucciones SRS-NWM10,” 1 sheet, Sony Corp. (2005).

Seven pictures showing “Active Speaker System SRS-NWM10,” 2 sheets, Sony Corp (2005).

Web page, “Netjoke,” http://www.sony.jp/products/systemstereo/new_takeout.html, 6 sheets, Sony Corp (Apr. 2008).

* cited by examiner

FIG.1

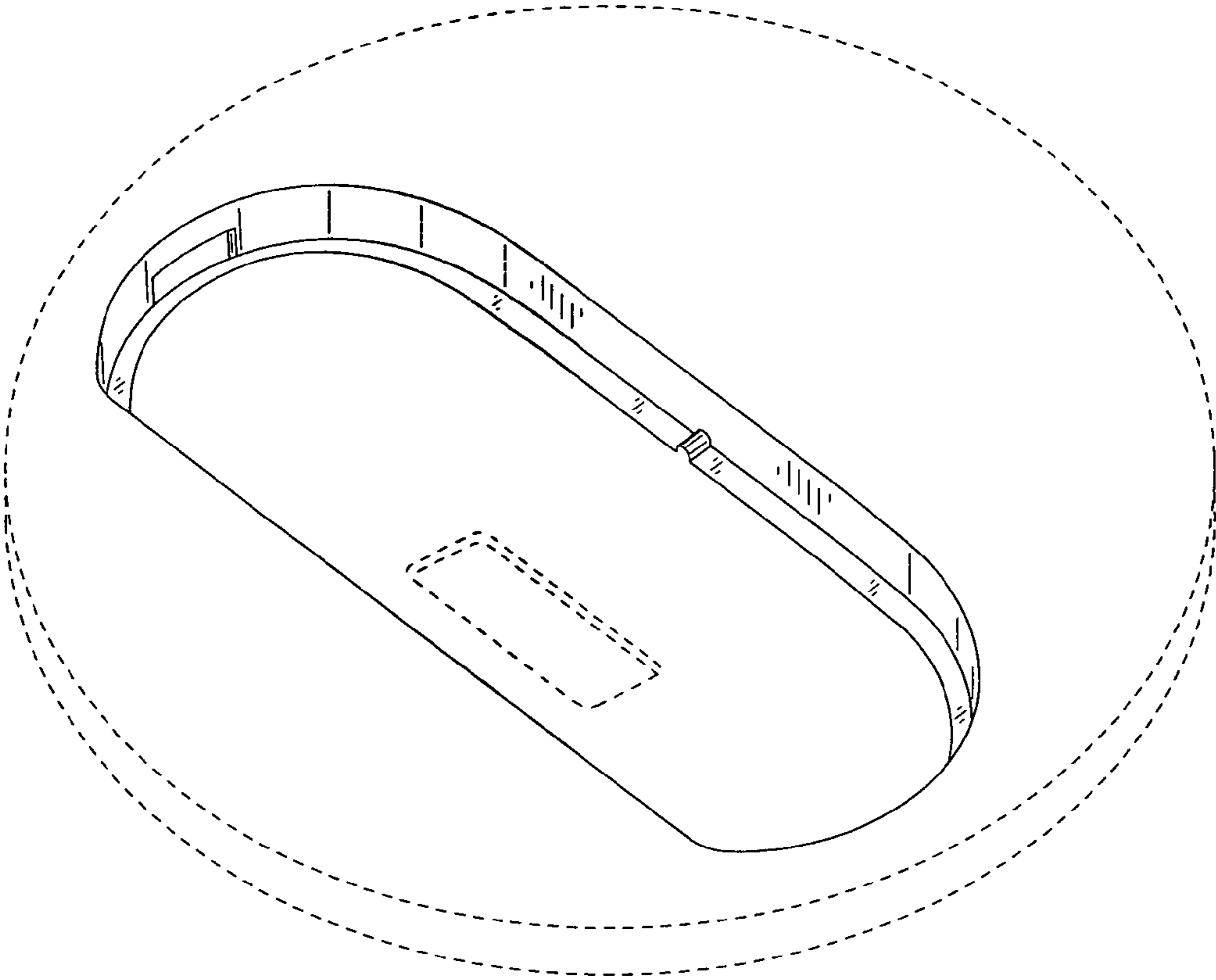


FIG.2

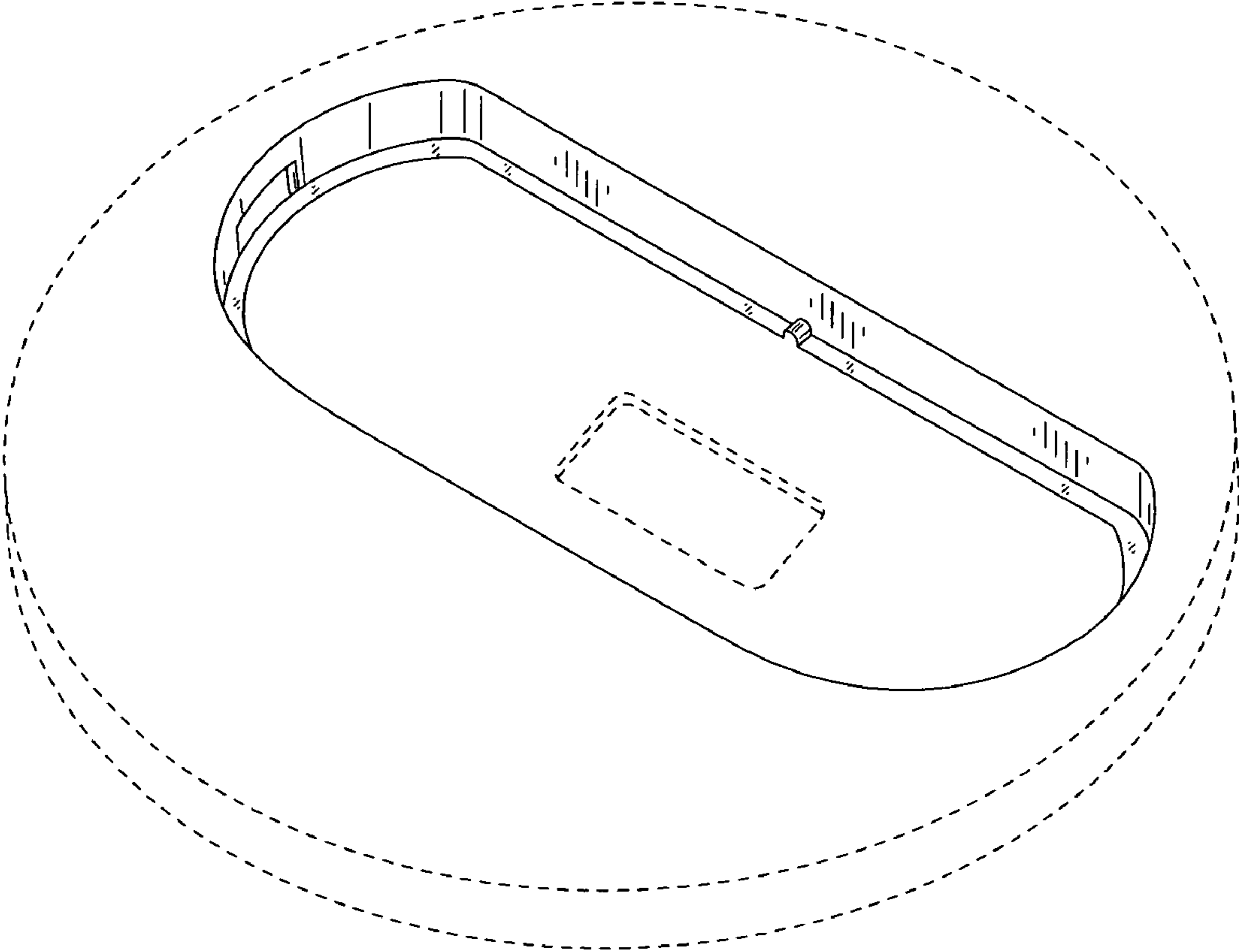


FIG.3

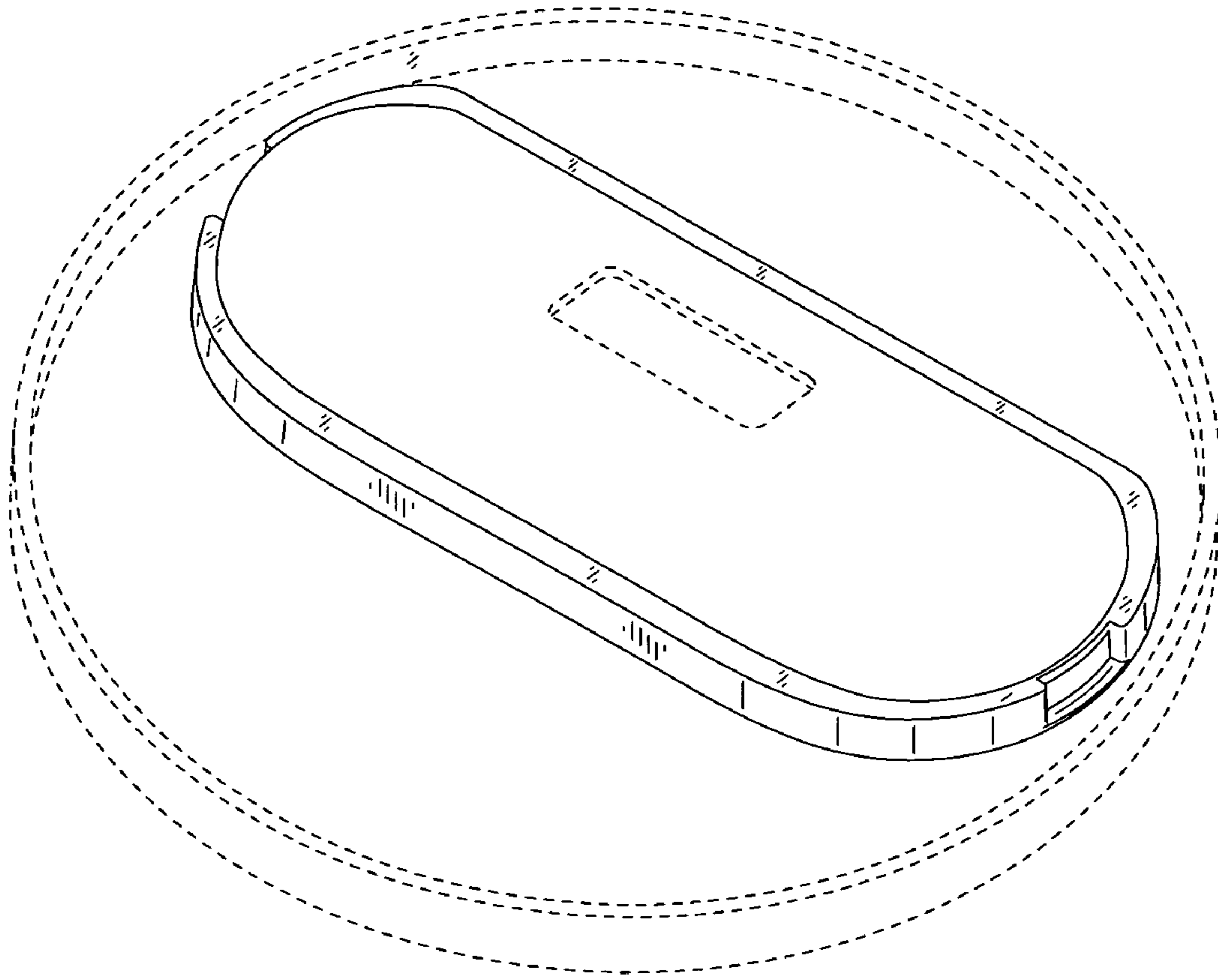


FIG.4

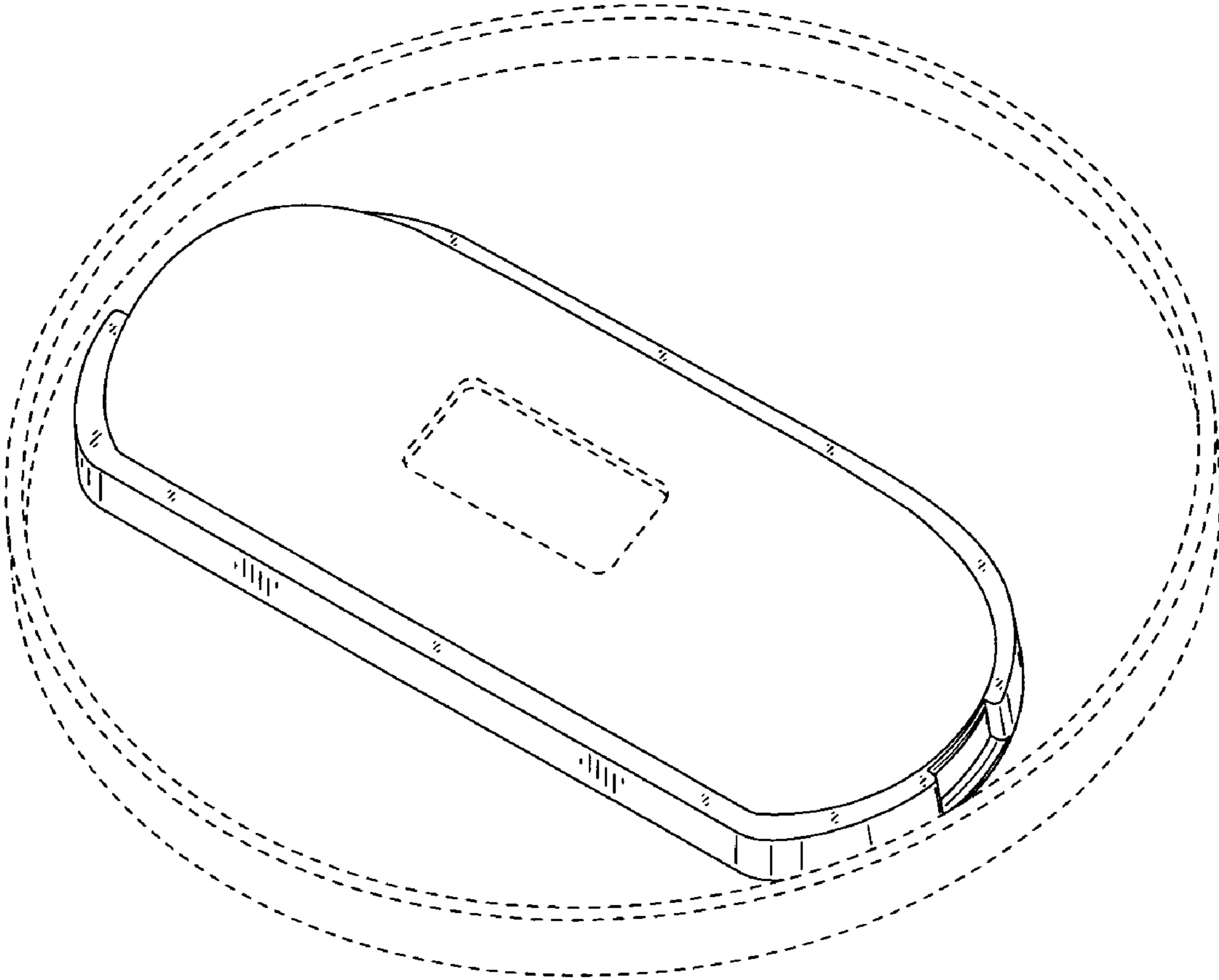


FIG. 5

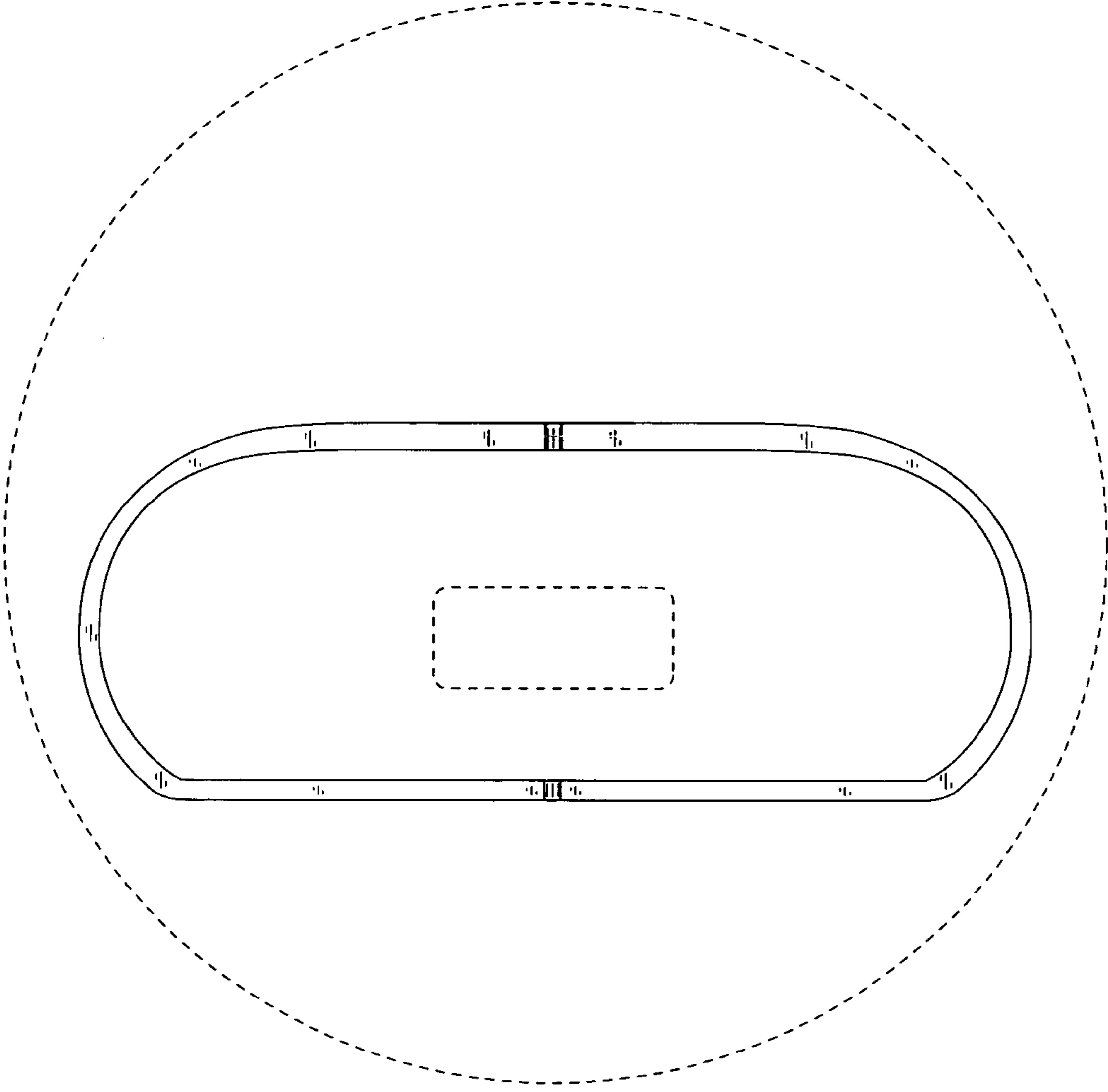


FIG. 6

