

US00D631457S

(12) **United States Design Patent**
Mo et al.

(10) **Patent No.:** **US D631,457 S**
(45) **Date of Patent:** **** Jan. 25, 2011**

(54) **COMMUNICATION DEVICE**
(75) Inventors: **Jia-Jun Mo**, Beijing (CN); **Yu-Yin Cheng**, Beijing (CN); **Fu-Yuan Hsu**, Beijing (CN)
(73) Assignee: **Motorola Mobility, Inc.**, Libertyville, IL (US)

D609,666 S * 2/2010 Su et al. D14/138 AA
D609,669 S * 2/2010 Li et al. D14/138 AA
D610,564 S * 2/2010 Schellen D14/138 AA
D611,442 S * 3/2010 Kim et al. D14/138 AA
D614,599 S * 4/2010 Kim et al. D14/138 AA
D617,292 S * 6/2010 Chen et al. D14/138 AA
D617,300 S * 6/2010 Tzeng et al. D14/138 AA
D617,751 S * 6/2010 Lee et al. D14/138 AA

(Continued)

(**) Term: **14 Years**

(21) Appl. No.: **29/361,638**

(22) Filed: **May 13, 2010**

(51) **LOC (9) Cl.** **14-03**
(52) **U.S. Cl.** **D14/138 AA**
(58) **Field of Classification Search** D14/138 AA,
D14/496, 341, 345, 346, 203.3, 203.4, 203.7,
D14/138 AD, 138 R, 248; 455/575.1, 556.2;
D21/517; 379/433.01, 433.04
See application file for complete search history.

OTHER PUBLICATIONS

Samsung L700 telephone, announced Jun. 2008, [online], [site visited Aug. 17, 2010]. Available from Internet, <URL: <http://www.gsmarena.com>>.*

(Continued)

Primary Examiner—Jeffrey D Asch

(57) **CLAIM**

The ornamental design for a communication device, as shown and described.

(56) **References Cited**

U.S. PATENT DOCUMENTS

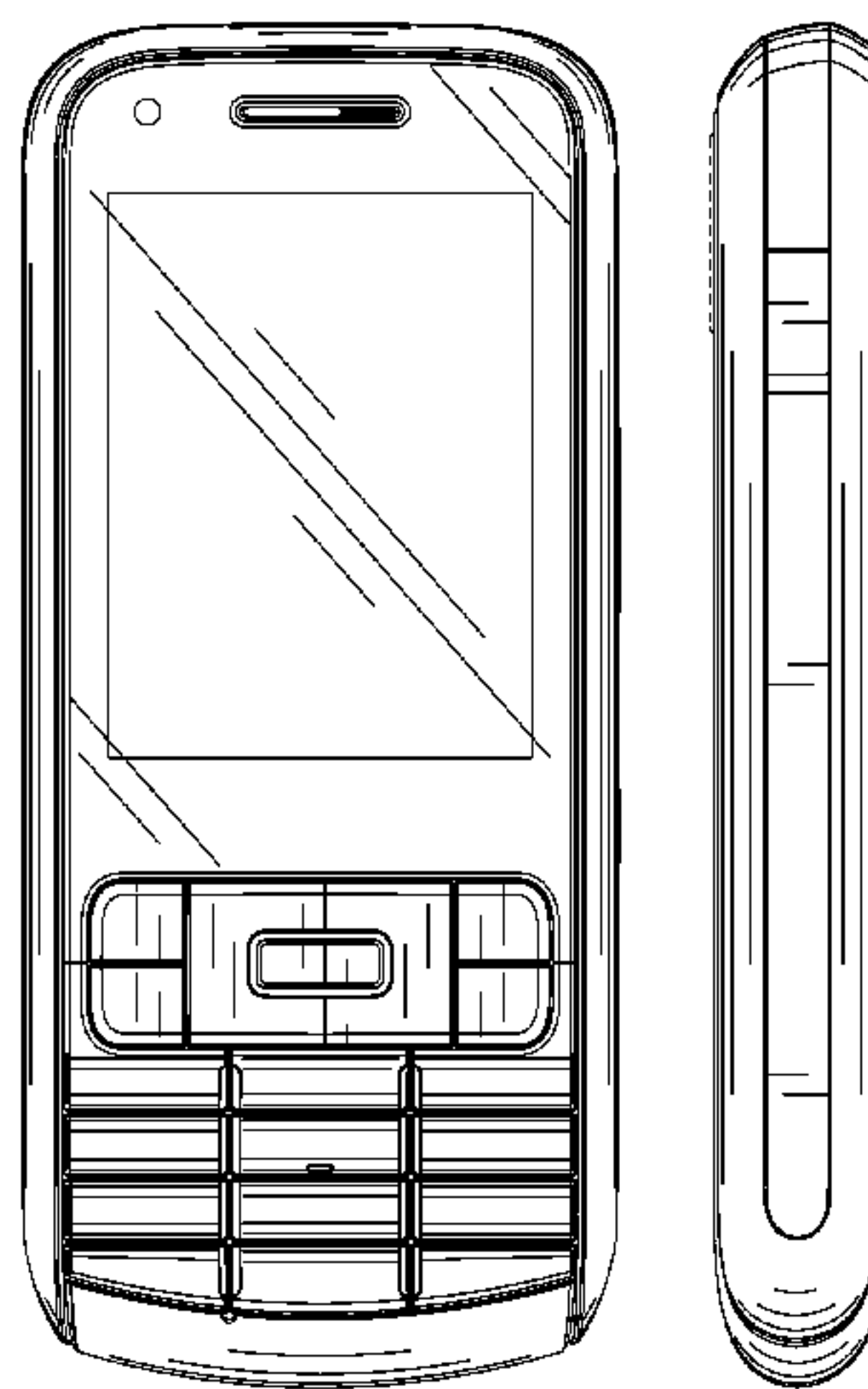
D479,214 S 9/2003 Bertrand et al.
D483,032 S 12/2003 Bertrand et al.
D491,543 S 6/2004 Chang et al.
D492,659 S 7/2004 Medeiros et al.
D494,151 S 8/2004 Walliser et al.
D496,921 S * 10/2004 Hwang D14/138 AA
D524,278 S * 7/2006 Hsiung D14/138 AA
D546,316 S * 7/2007 Wu et al. D14/138 AA
D549,208 S * 8/2007 Huang et al. D14/138 AA
7,400,916 B2 * 7/2008 Lee et al. 455/575.4
D580,902 S * 11/2008 Bolton et al. D14/138 AA
D583,343 S * 12/2008 Lee et al. D14/138 AA
D583,352 S * 12/2008 Son et al. D14/138 AA
D588,565 S * 3/2009 Liu et al. D14/138 AA
D591,703 S * 5/2009 Shi D14/138 AA
D608,757 S * 1/2010 Wang et al. D14/138 AA
D609,206 S * 2/2010 Hyun et al. D14/138 AA
D609,207 S * 2/2010 Leung et al. D14/138 AA
D609,208 S * 2/2010 Cheng D14/138 AA
D609,209 S * 2/2010 Cheng D14/138 AA

DESCRIPTION

FIG. 1 is a front perspective view of an ornamental design for a communication device;
FIG. 2 is a rear perspective view thereof;
FIG. 3 is a front view thereof;
FIG. 4 is a rear view thereof;
FIG. 5 is a first side view thereof;
FIG. 6 is a second side view thereof;
FIG. 7 is a top view thereof; and,
FIG. 8 is a bottom view thereof.

The broken lines shown throughout the views that are immediately adjacent to the shaded areas and define unshaded regions, represent the bounds of the claimed design, while all other broken lines are directed to environment and are for illustrative purposes only; the broken lines form no part of the claimed design.

1 Claim, 6 Drawing Sheets



U.S. PATENT DOCUMENTS

D617,765 S * 6/2010 Liu D14/138 AA
D618,673 S * 6/2010 Mota Veiga et al. D14/248
D621,377 S * 8/2010 Jung et al. D14/138 AA
D621,809 S * 8/2010 Cui D14/138 AA
2007/0294633 A1* 12/2007 Aarras et al. 715/781
2008/0015934 A1* 1/2008 Kim et al. 705/14

OTHER PUBLICATIONS

LG GB160 telephone, announced Nov. 2009, [online], [site visited Aug. 17, 2010]. Available from Internet, <URL: <http://www.gsmarena.com>>.*

Bird D615 telephone, announced 2007, [online], [site visited Aug. 17, 2010]. Available from Internet, <URL: <http://www.gsmarena.com>>.*

Haier U56 telephone, announced 2010, [online], [site visited Aug. 17, 2010]. Available from Internet, <URL: <http://www.gsmarena.com>>.*

Vodafone 725 telephone, announced May 2008, [online], [site visited Aug. 17, 2010]. Available from Internet, <URL: <http://www.gsmarena.com>>.*

U.S. Appl. No. 29/361,637, filed May 13, 2010, in the name of Wei-Wei Chen, entitled "Communication Device".

U.S. Appl. No. 29/361,640, filed May 13, 2010, in the name of Cheol Woo Park, entitled "Communication Device".

U.S. Appl. No. 29/361,641, filed May 13, 2010, in the name of Cheol Woo Park, entitled "Communication Device".

* cited by examiner

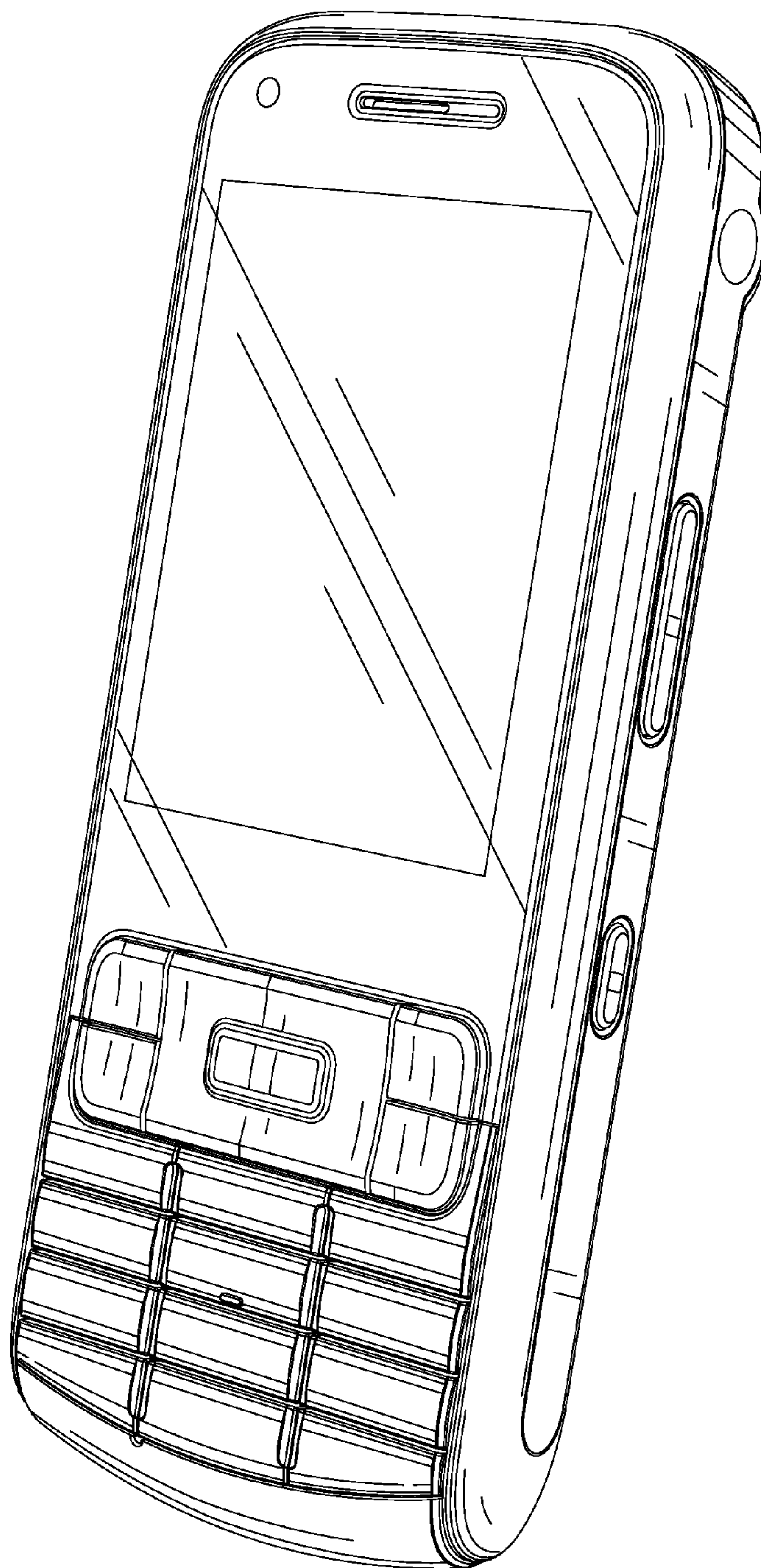


FIG. 1

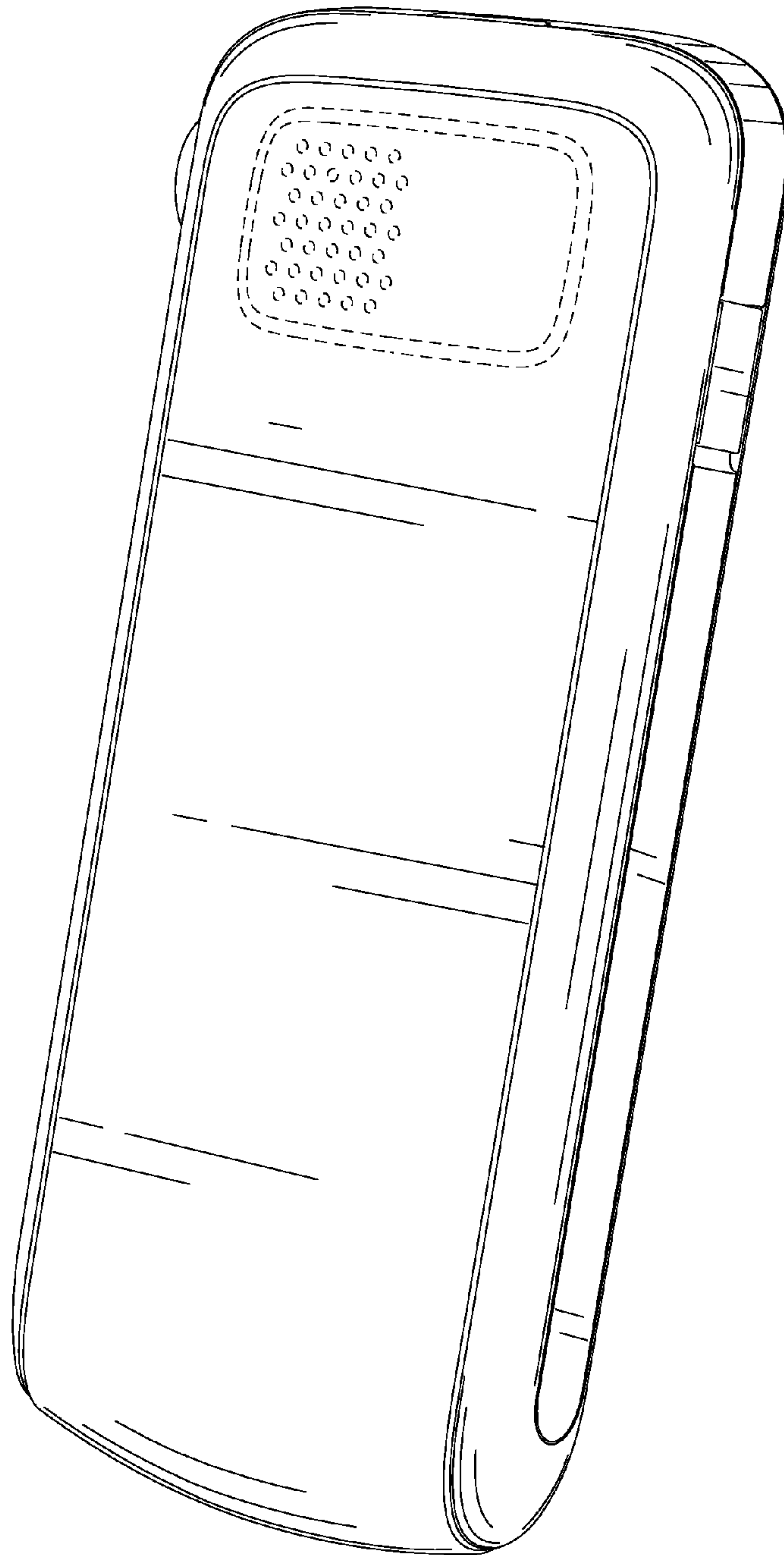


FIG. 2

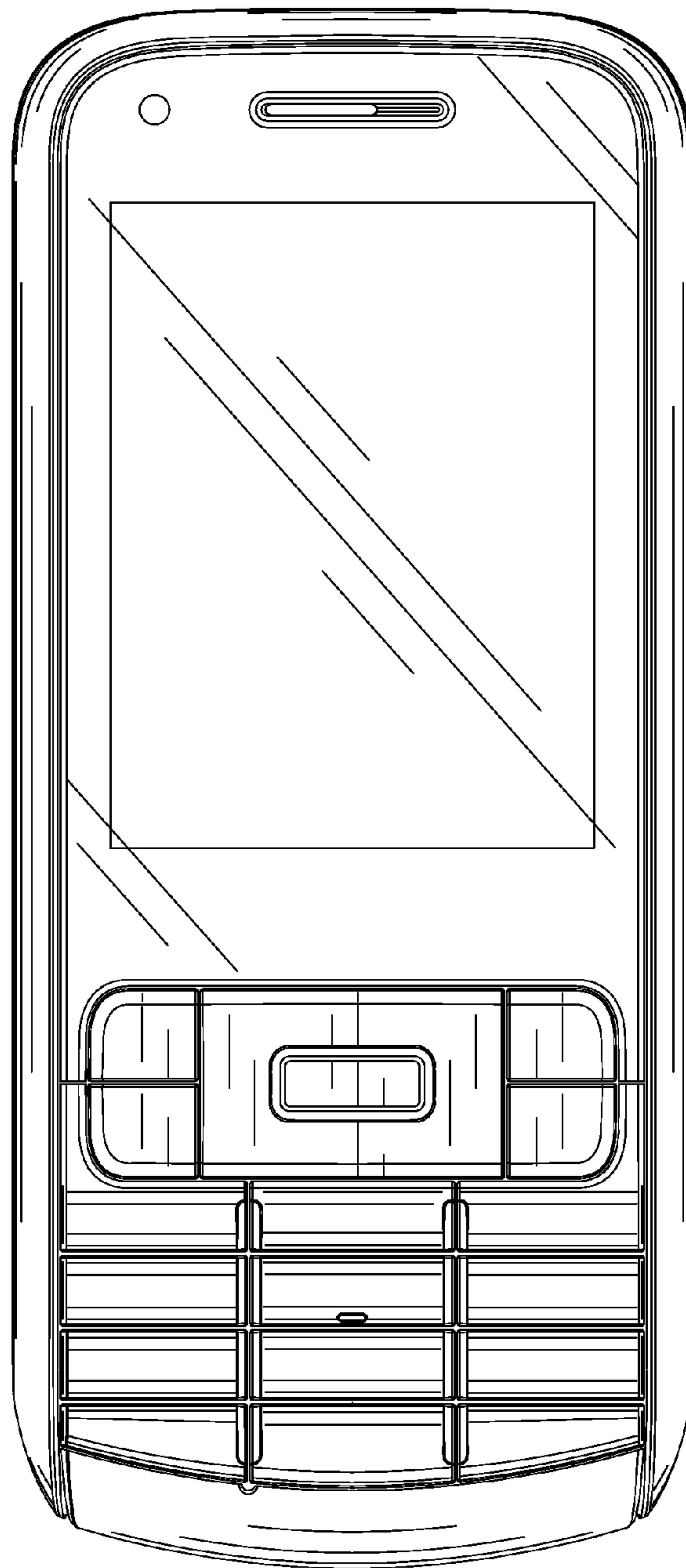


FIG. 3

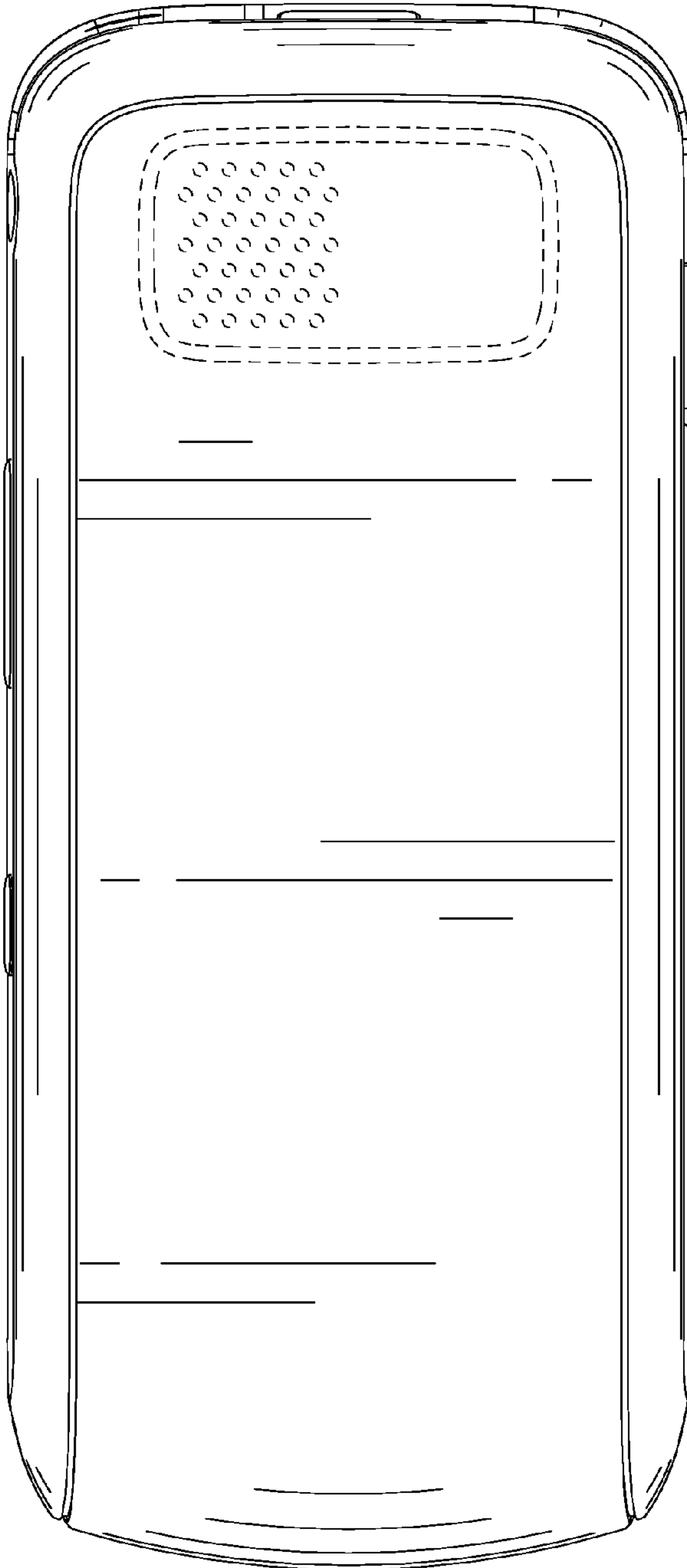


FIG. 4

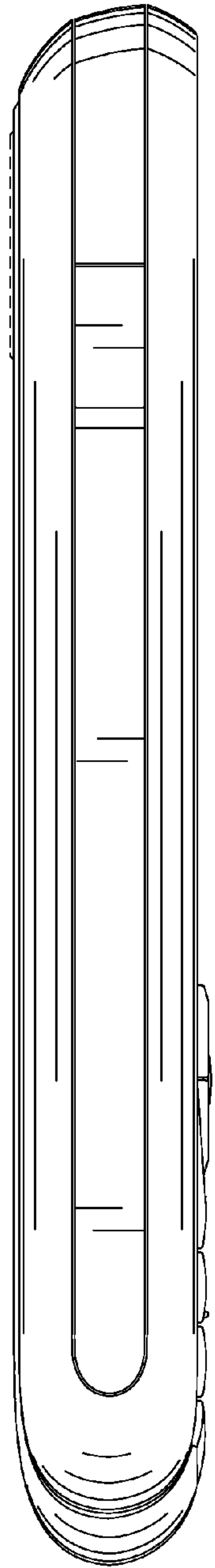


FIG. 5

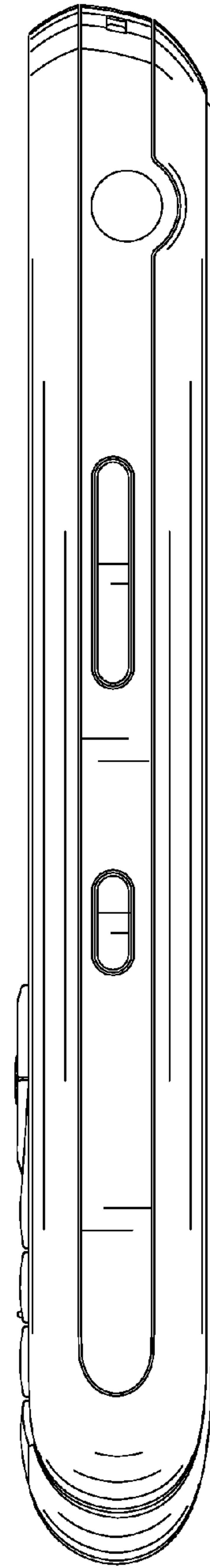


FIG. 6

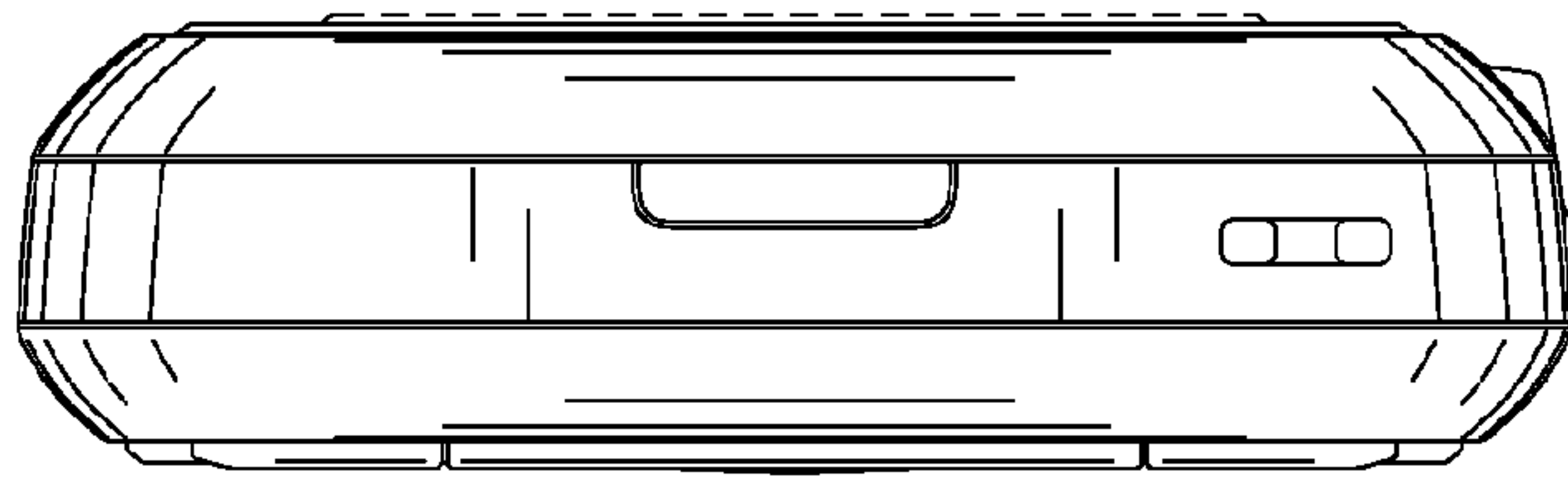


FIG. 7

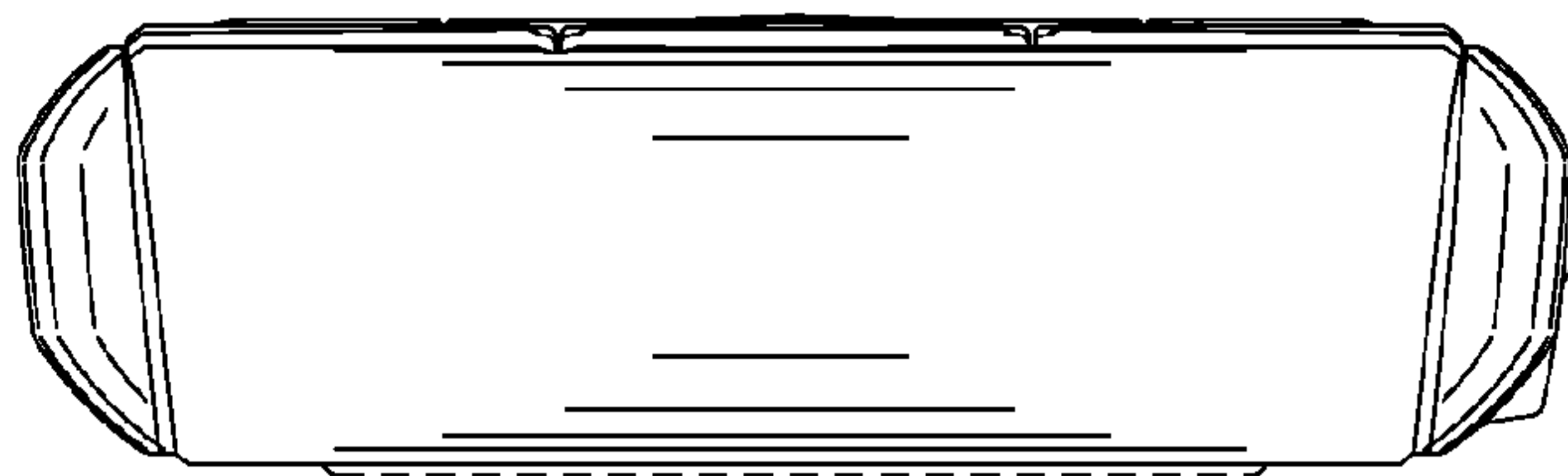


FIG. 8