



US00D631455S

(12) **United States Design Patent**
Kim et al.

(10) **Patent No.:** **US D631,455 S**
(45) **Date of Patent:** **** Jan. 25, 2011**

(54) **MOBILE PHONE**

(75) Inventors: **Joon-Suh Kim**, Anyang-si (KR); **Naoki Shimada**, Ranchos Dominguez, CA (US)

(73) Assignee: **Samsung Electronics Co., Ltd.**, Suwon-Si (KR)

(**) Term: **14 Years**

(21) Appl. No.: **29/361,483**

(22) Filed: **May 12, 2010**

(30) **Foreign Application Priority Data**

Mar. 26, 2010 (KR) 30-2010-0013348

(51) **LOC (9) Cl.** **14-03**

(52) **U.S. Cl.** **D14/138 AB; D14/138 G**

(58) **Field of Classification Search** D14/138 AA, D14/496, 341, 345, 346, 203.3, 203.4, 203.7, D14/138 AD, 138 R, 138 AB, 138 G; 455/575.1, 455/556.2, 575.3; D21/517; 379/433.01, 379/433.04, 433.13

See application file for complete search history.

(56) **References Cited**

U.S. PATENT DOCUMENTS

- D391,987 S * 3/1998 Jambhekar et al. D14/345
- 5,896,575 A * 4/1999 Higginbotham et al. 455/566
- D445,787 S * 7/2001 Francis D14/345
- D491,934 S * 6/2004 Shimano et al. D14/318
- D494,968 S * 8/2004 Yonekawa et al. D14/345
- D554,194 S * 10/2007 Ehara et al. D21/330
- D557,674 S * 12/2007 Lee et al. D14/138 AB
- D560,197 S * 1/2008 Kim et al. D14/138 AB
- D577,703 S * 9/2008 Lee et al. D14/138 G
- D584,726 S * 1/2009 Morita D14/341
- D585,444 S * 1/2009 Verschoor D14/345
- D587,668 S * 3/2009 Bang et al. D14/138 AD
- 7,522,944 B2 * 4/2009 Hyun et al. 455/575.1
- D592,211 S * 5/2009 Ichise et al. D14/346

- D601,992 S * 10/2009 Choi et al. D14/138 AB
- D603,363 S * 11/2009 Choi et al. D14/138 AB
- D603,364 S * 11/2009 Song et al. D14/138 AB
- D605,156 S * 12/2009 Kim et al. D14/138 AB

(Continued)

OTHER PUBLICATIONS

Acer DX650 telephone, announced Jun. 2009, [online], [site visited Aug. 17, 2010]. Available from Internet, <URL: <http://www.gsmarena.com>>.*

(Continued)

Primary Examiner—Jeffrey D Asch

(74) *Attorney, Agent, or Firm*—Staas & Halsey LLP

(57)

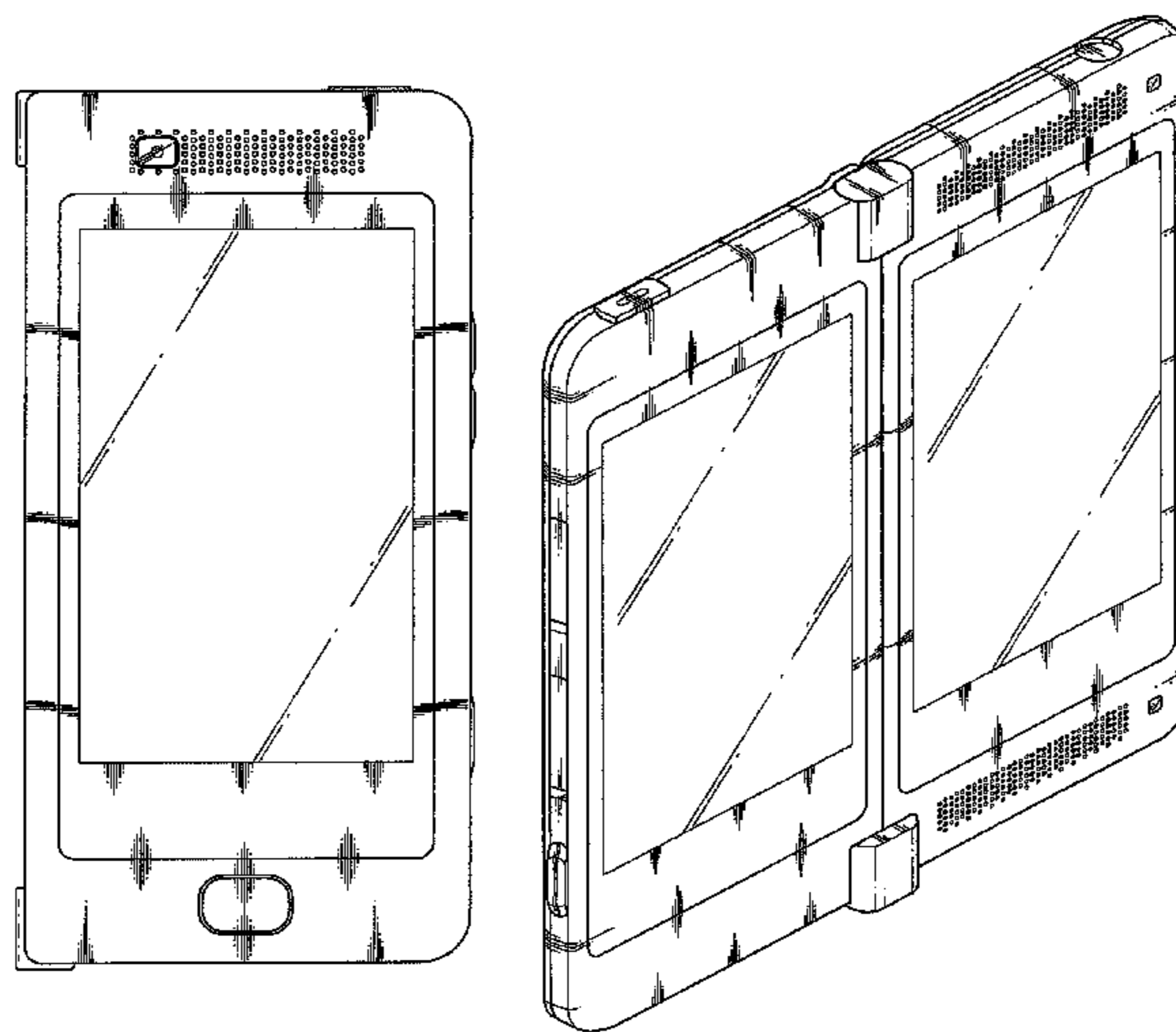
CLAIM

The ornamental design for a mobile phone, as shown and described.

DESCRIPTION

FIG. 1 is a front perspective view of a mobile phone; FIG. 2 is a front view of the mobile phone of FIG. 1; FIG. 3 is a rear view of the mobile phone of FIG. 1; FIG. 4 is a left-side view of the mobile phone of FIG. 1; FIG. 5 is a right-side view of the mobile phone of FIG. 1; FIG. 6 is a top plan view of the mobile phone of FIG. 1; FIG. 7 is a bottom plan view of the mobile phone of FIG. 1; and, FIG. 8 is an open front perspective view of the mobile phone of FIG. 1.

1 Claim, 5 Drawing Sheets



US D631,455 S

Page 2

U.S. PATENT DOCUMENTS

D607,864 S * 1/2010 Zhou et al. D14/138 AA
D612,830 S * 3/2010 Kim et al. D14/138 G
2008/0242359 A1* 10/2008 Seol et al. 455/566
2009/0117955 A1* 5/2009 Lo 455/575.3
2009/0264156 A1* 10/2009 Burghardt et al. 455/566
2010/0075717 A1* 3/2010 Ou 455/566
2010/0190530 A1* 7/2010 Wada et al. 455/566

OTHER PUBLICATIONS

LG KT610 telephone, announced Feb. 2008, [online], [site visited Aug. 17, 2010]. Available from Internet, <URL: <http://www.gsmarena.com>>.*
i-mate JasJar telephone, announced Aug. 2005, [online], [site visited Aug. 17, 2010]. Available from Internet, <URL: <http://www.gsmarena.com>>.*

* cited by examiner

FIG. 1

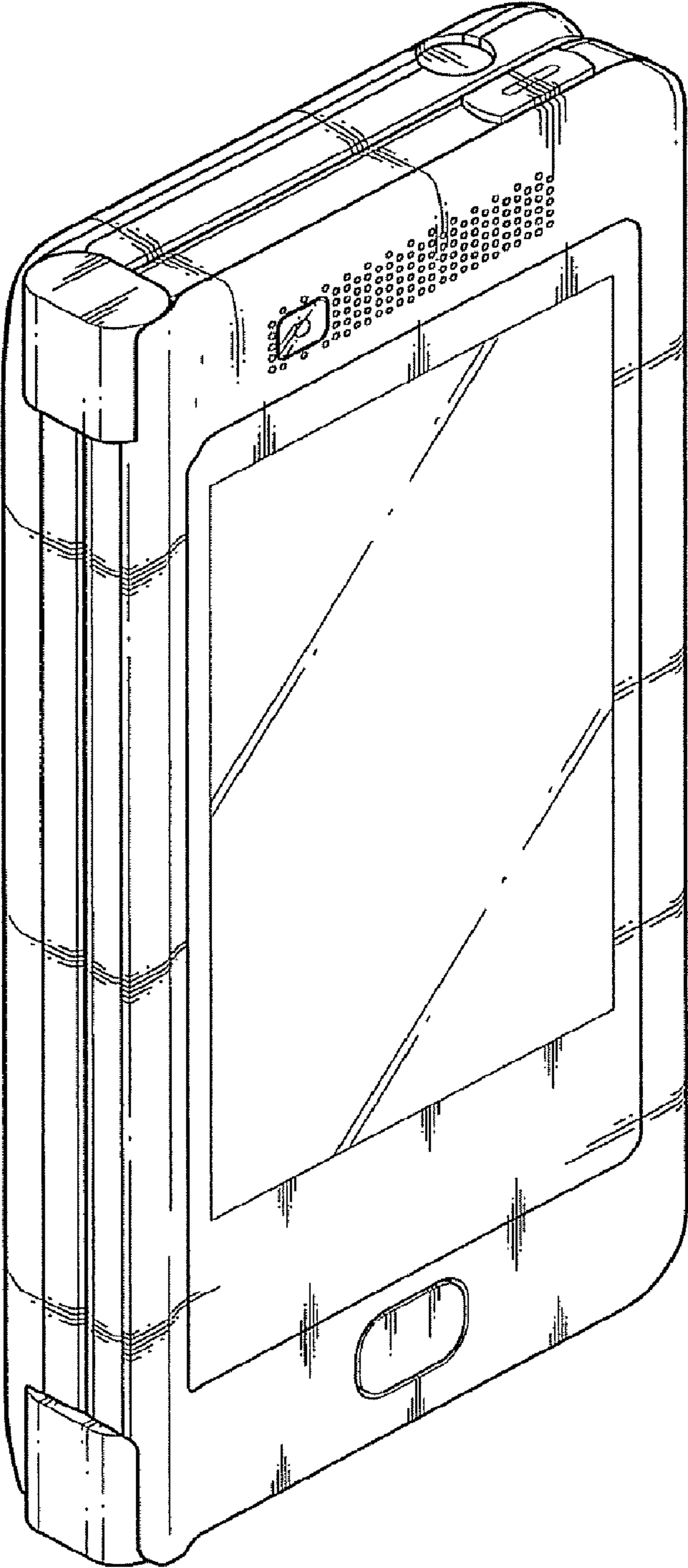


FIG.2

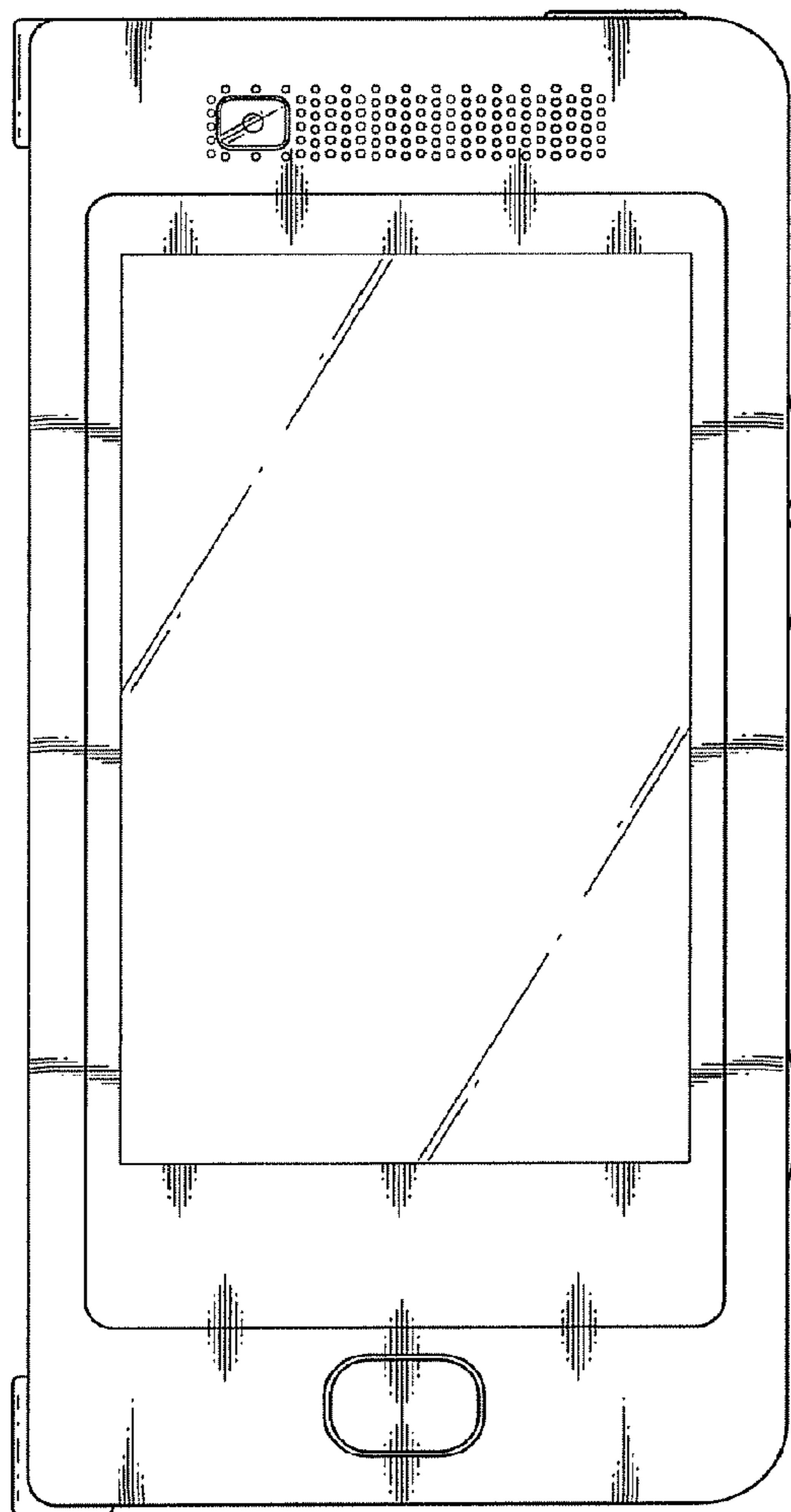


FIG.3

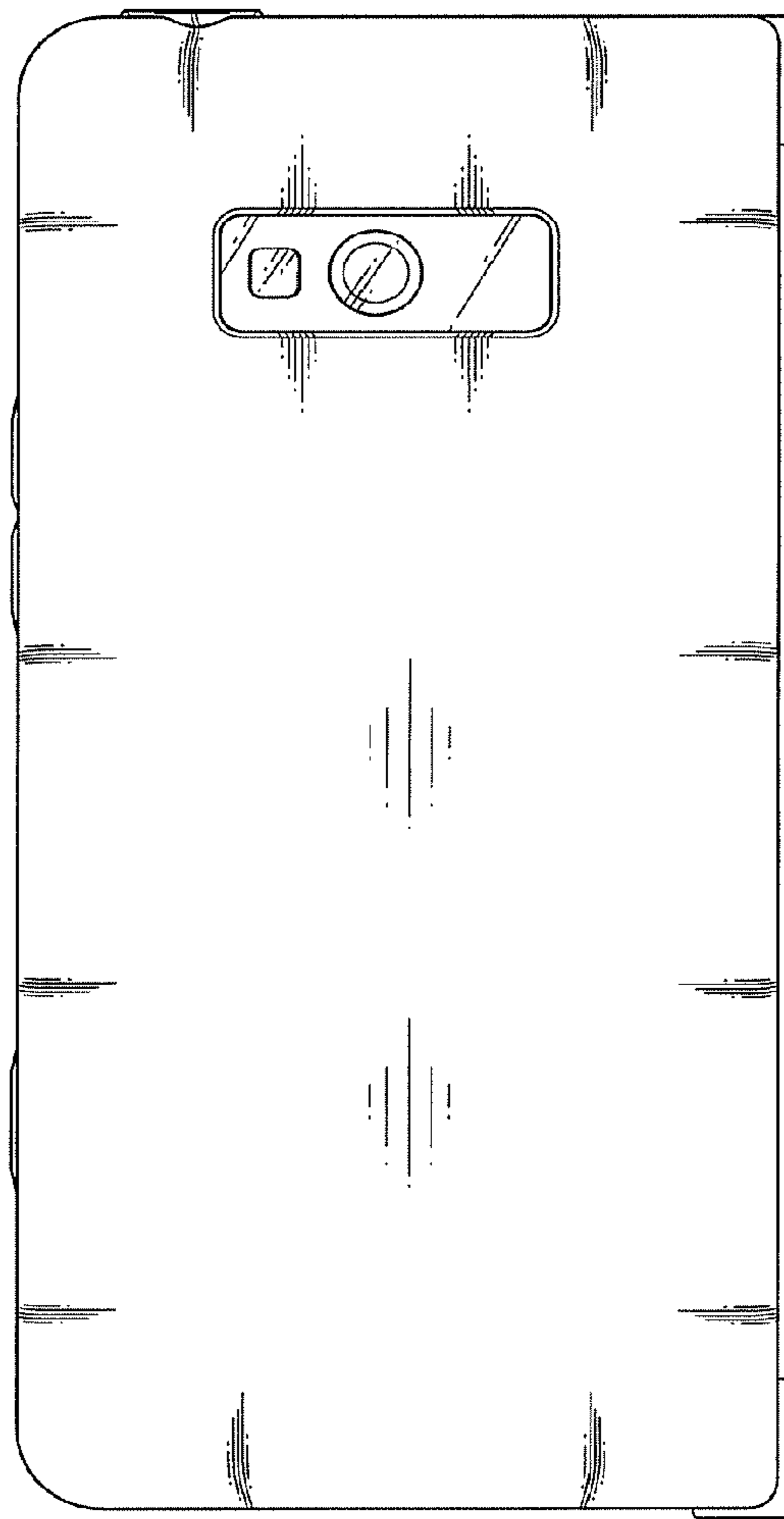


FIG.4

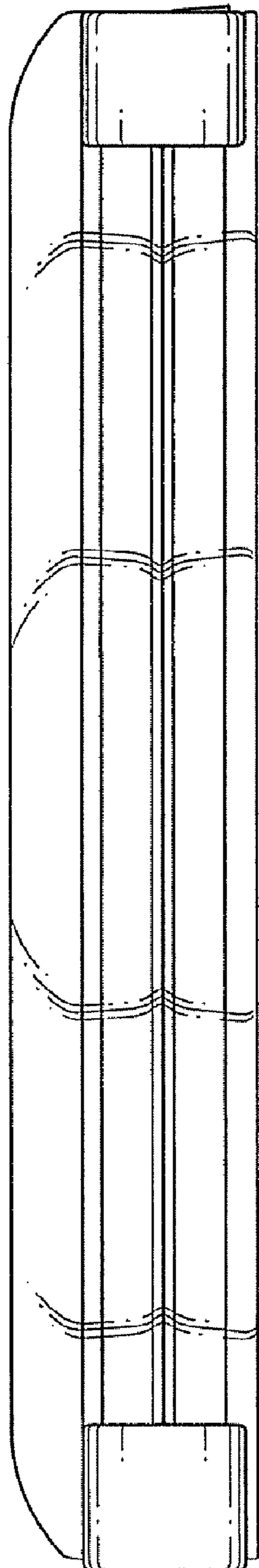


FIG.5

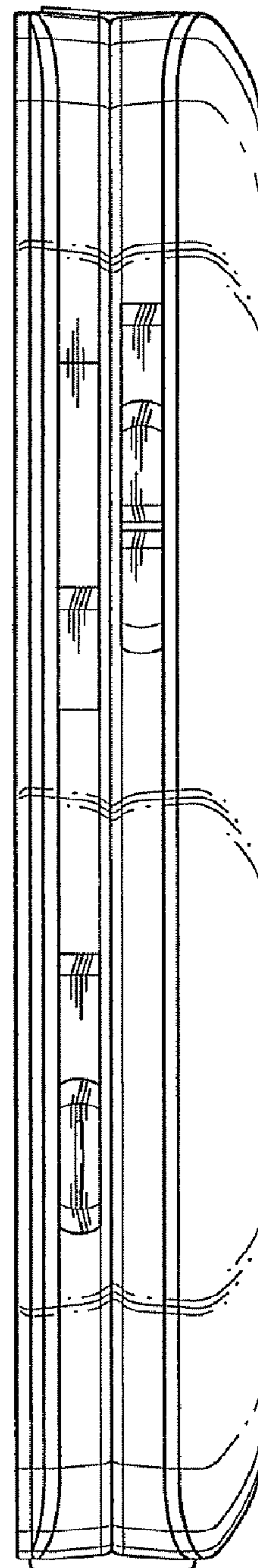


FIG.6

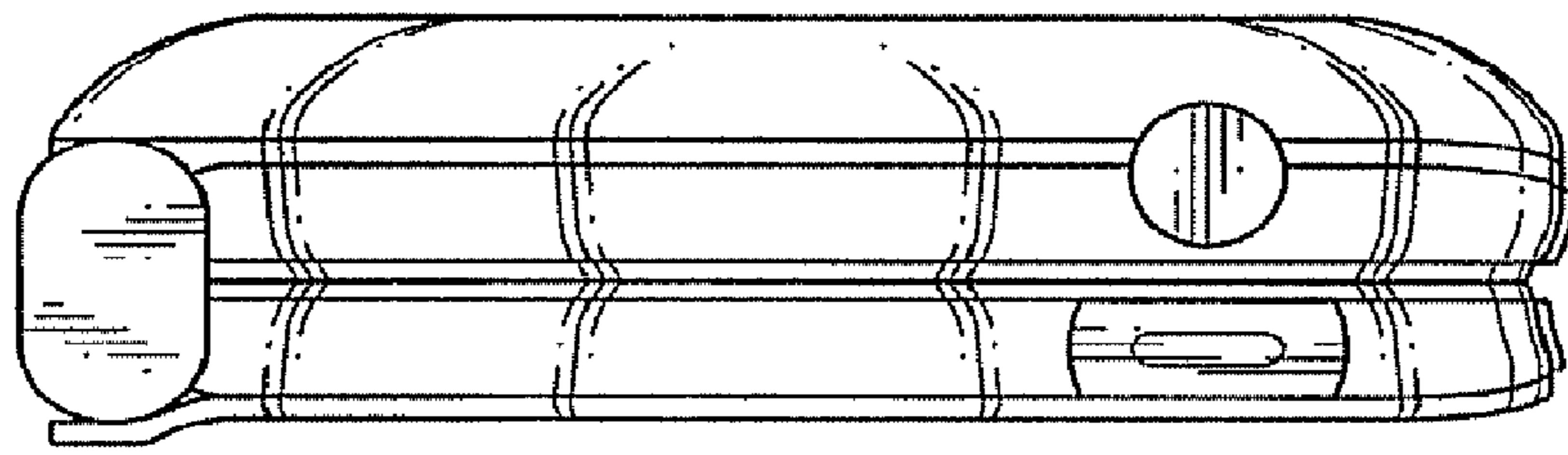


FIG.7

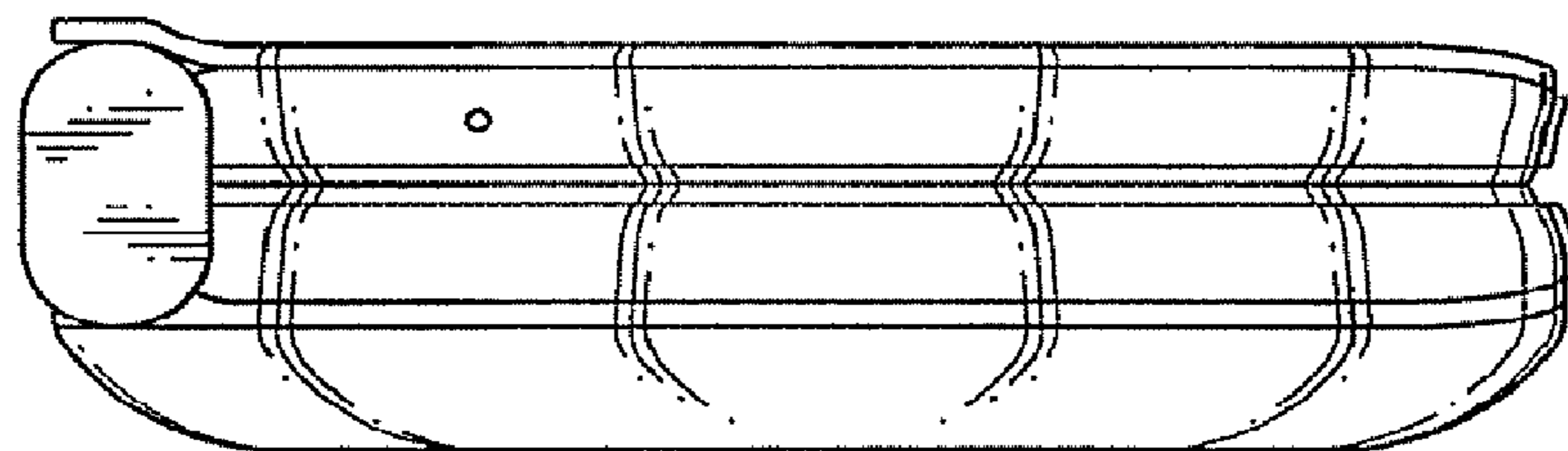


FIG. 8

