



US00D631445S

(12) **United States Design Patent**
Dittmer et al.

(10) **Patent No.:** **US D631,445 S**

(45) **Date of Patent:** **** Jan. 25, 2011**

(54) **CABLE MANAGEMENT SYSTEM**

D378,731 S * 4/1997 Kopish D8/356
D450,564 S * 11/2001 Kane et al. D8/356

(75) Inventors: **Wolfgang Dittmer**, Guilford, CT (US);
Emilian Cartis, Brooklyn, NY (US);
Jane Abernethy, Ottawa (CA)

* cited by examiner

Primary Examiner—Daniel D Bui

(73) Assignee: **Humanscale Corporation**, New York,
NY (US)

(74) *Attorney, Agent, or Firm*—Jones, Walker, Waechter,
Poitevent, Carrere & Denegre L.L.P.

(**) Term: **14 Years**

(57) **CLAIM**

(21) Appl. No.: **29/338,031**

The ornamental design for a cable management system, as
shown and described.

(22) Filed: **Jun. 3, 2009**

DESCRIPTION

(51) **LOC (9) Cl.** **13-03**

FIG. 1 is a front, top, and right side perspective view of a cable
management system showing our new design;

(52) **U.S. Cl.** **D13/155**

FIG. 2 is a rear, top, and left side perspective view thereof;

(58) **Field of Classification Search** D13/155,

FIG. 3 is a front elevation view thereof;

D13/156, 184; D8/354–356, 360.1; D14/256,

FIG. 4 is a rear elevation view thereof;

D14/299; 439/207–211, 445–447

FIG. 5 is a top plan view thereof;

See application file for complete search history.

FIG. 6 is bottom plan view thereof;

(56) **References Cited**

FIG. 7 is a right side elevation view thereof; and,

U.S. PATENT DOCUMENTS

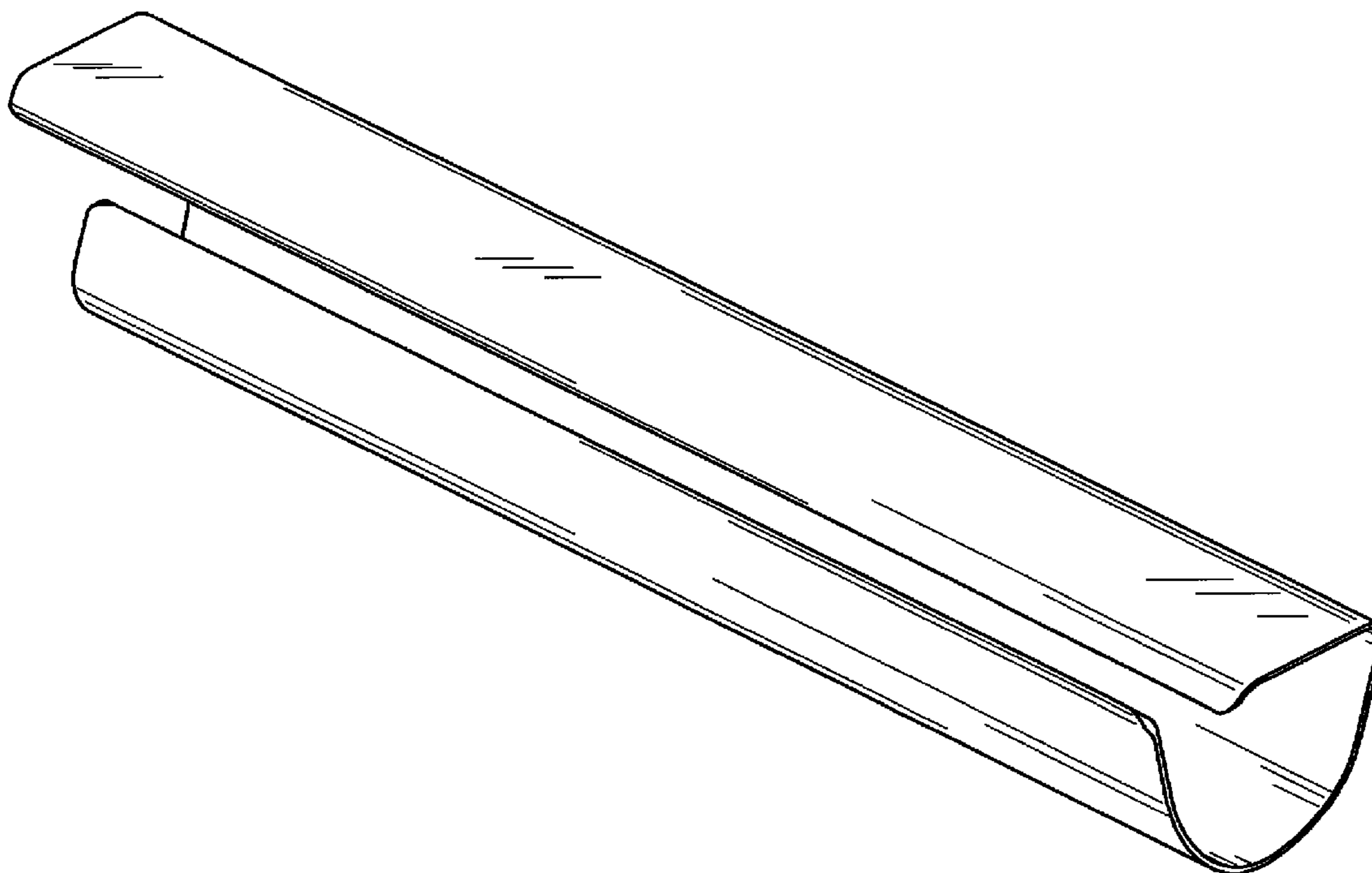
FIG. 8 is a left side elevation view thereof.

D258,279 S * 2/1981 Moore D12/317

D295,521 S * 5/1988 Mockett D13/155

5,336,849 A * 8/1994 Whitney 174/72 C

1 Claim, 5 Drawing Sheets



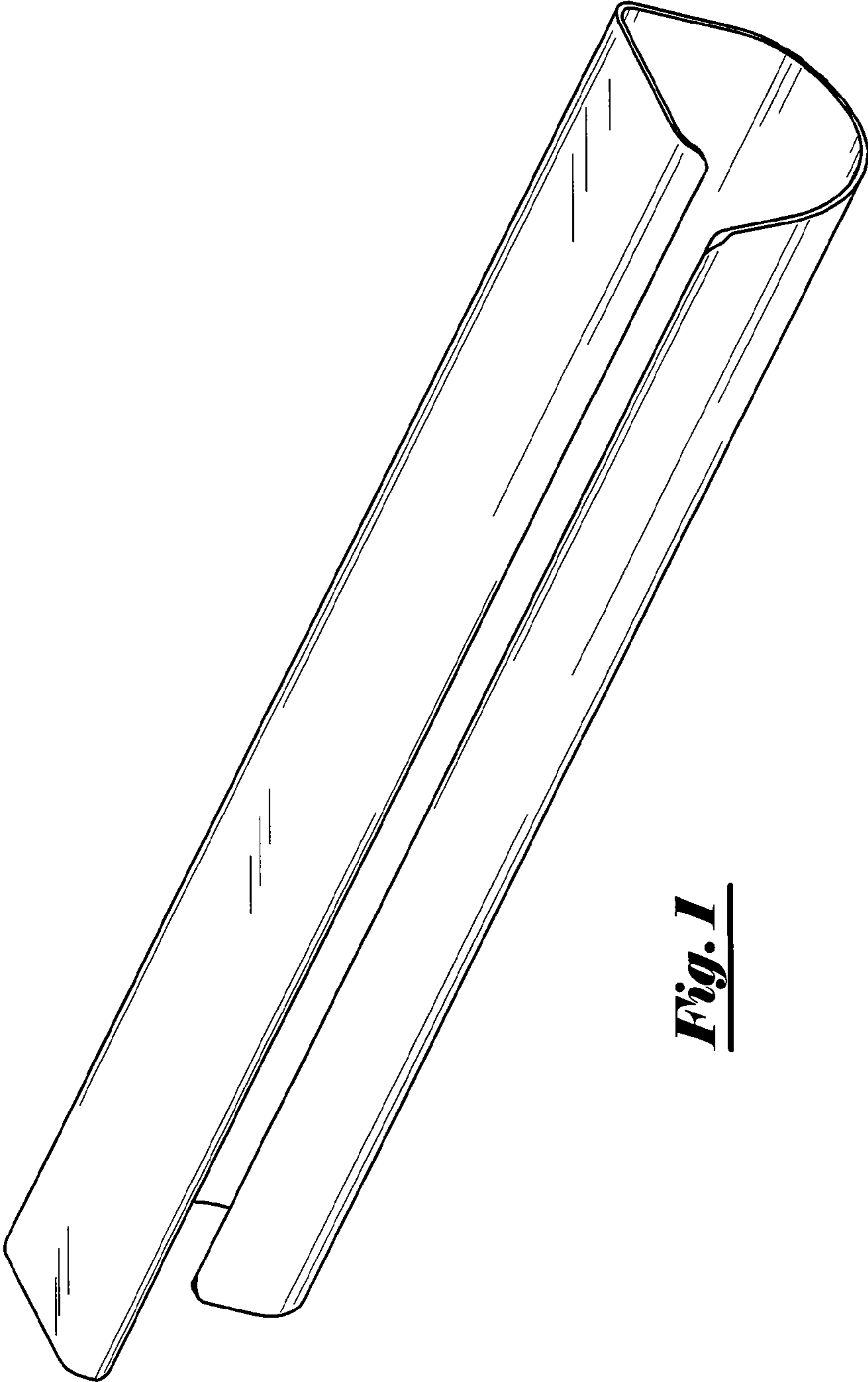


Fig. 1

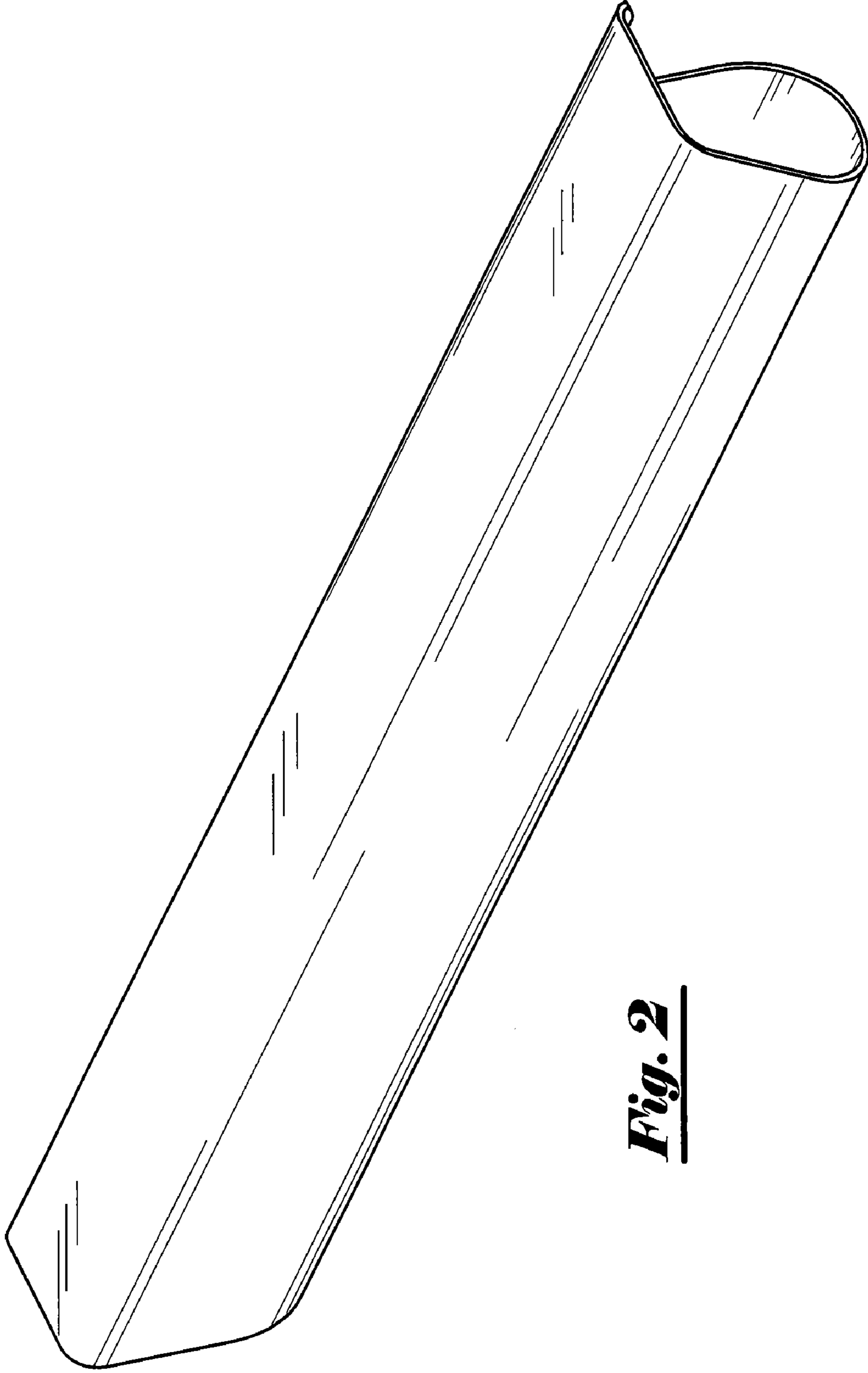


Fig. 2

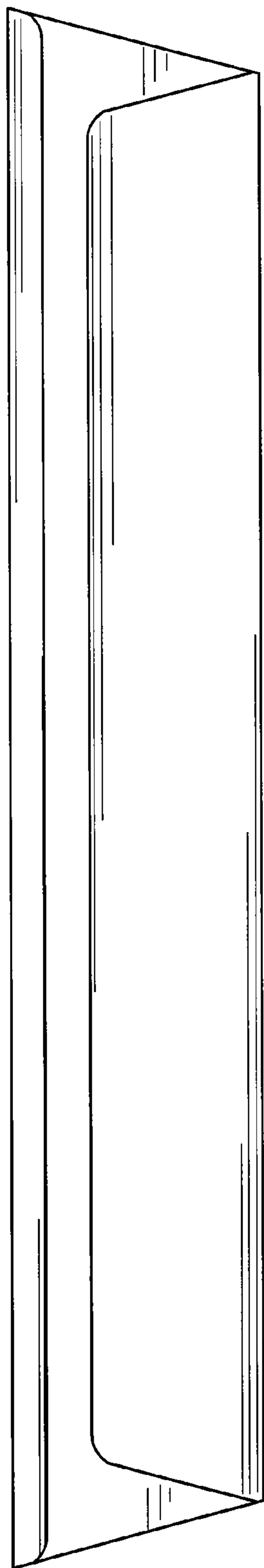


Fig. 3

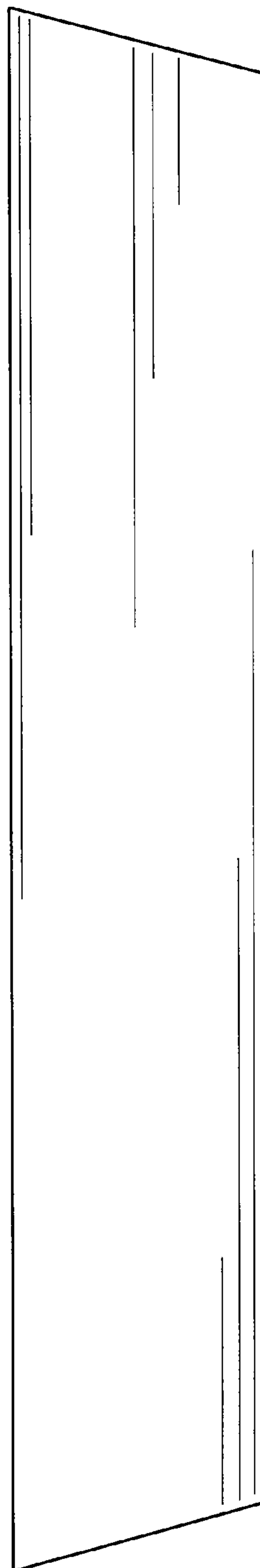


Fig. 4

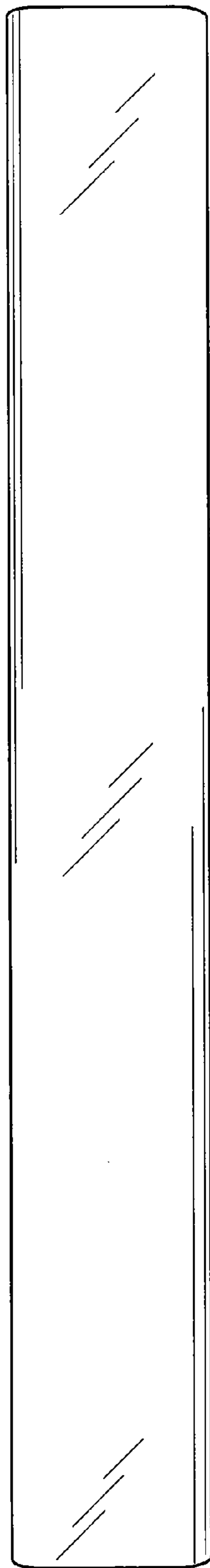


Fig. 5

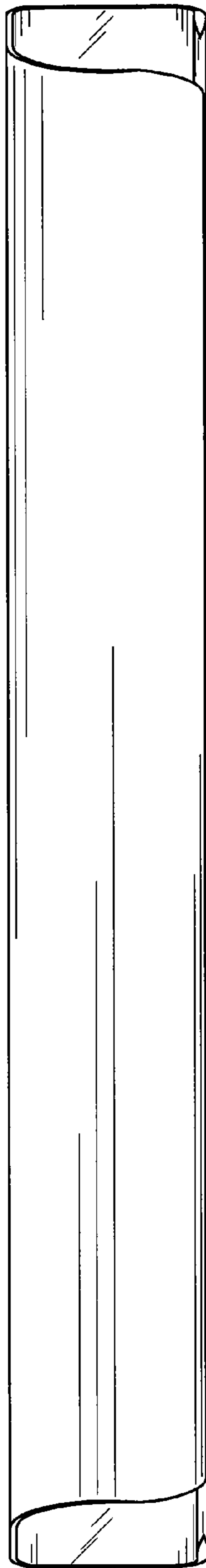


Fig. 6

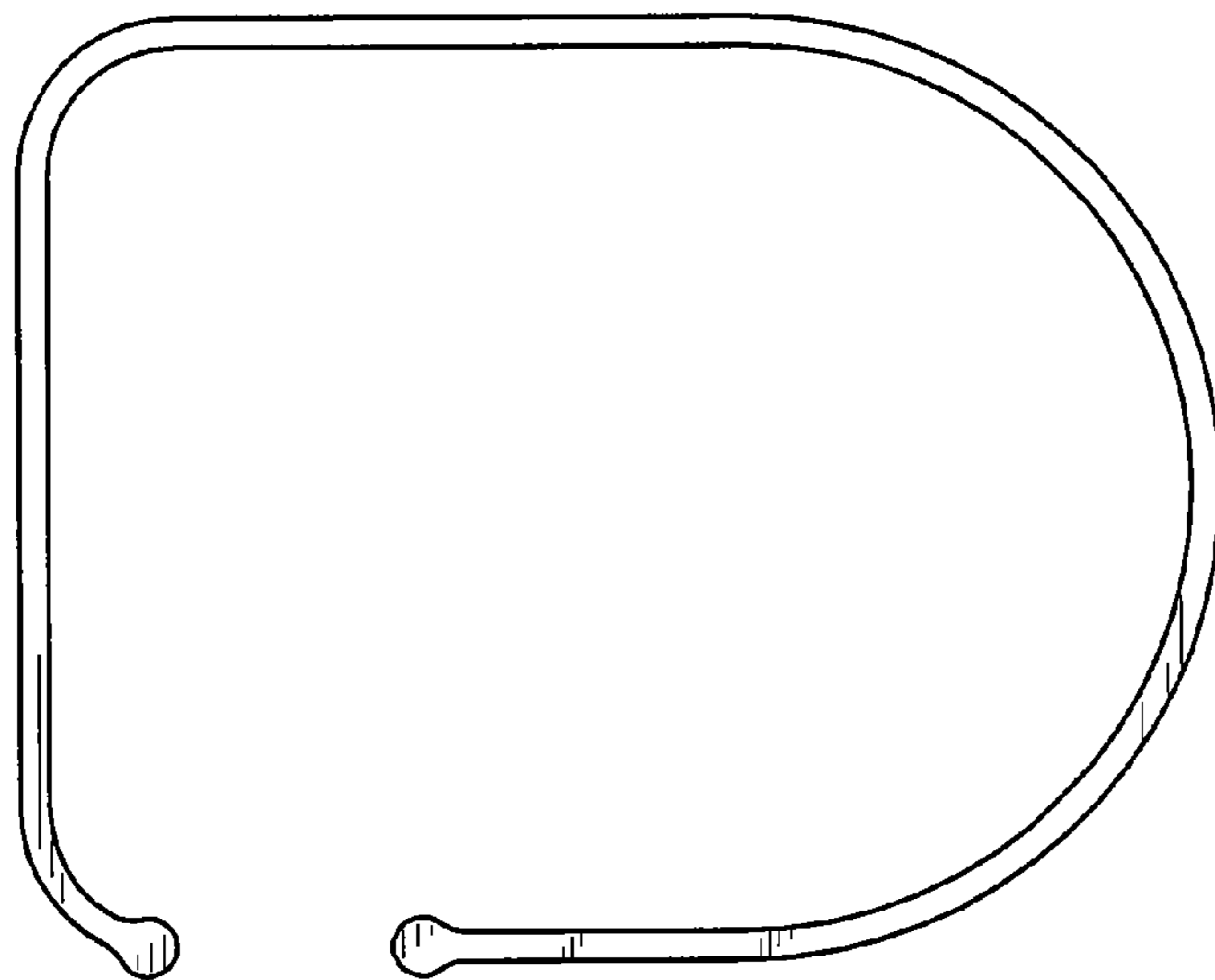


Fig. 7

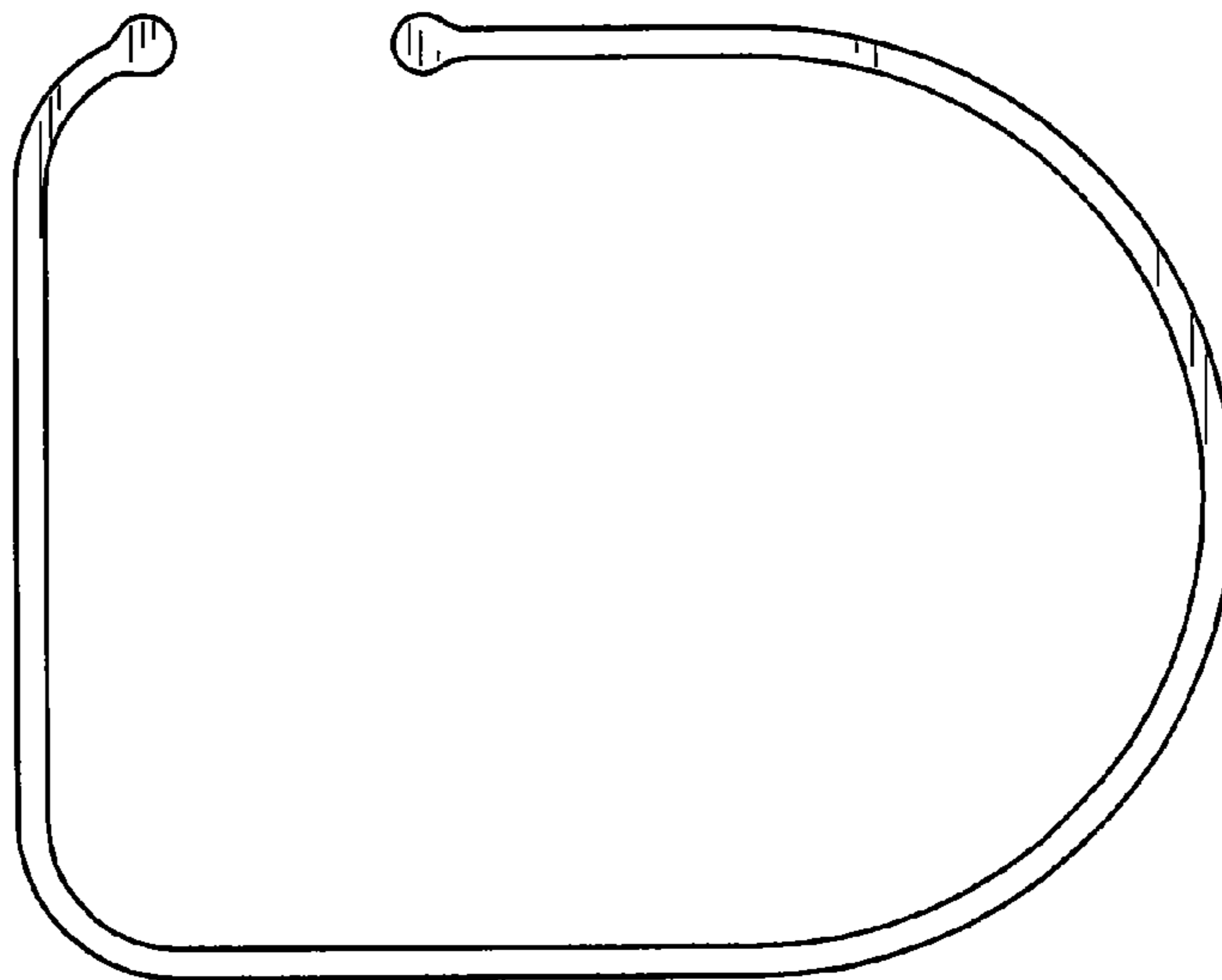


Fig. 8