



US00D631444S

(12) **United States Design Patent**
Garay

(10) **Patent No.:** **US D631,444 S**

(45) **Date of Patent:** **** Jan. 25, 2011**

(54) **CORD FOR ELECTRONICS**

(76) Inventor: **Lautaro Garay**, 5441 NW. 159th St.,
Miami Gardens, FL (US) 33014

(**) Term: **14 Years**

(21) Appl. No.: **29/332,206**

(22) Filed: **Feb. 11, 2009**

(51) **LOC (9) Cl.** **13-03**

(52) **U.S. Cl.** **D13/153; D13/133**

(58) **Field of Classification Search** D13/133,
D13/145, 147, 153-156, 184, 199; D8/354,
D8/356; 174/102 D, 102 E, 109, 107, 135,
174/93, 156, 153 G, 68.1, 68.3, 101, 102 R,
174/110 R, 121 R; 385/100-115; D14/433;
439/350, 447, 607.1, 607.17, 607.24, 607.31,
439/607.34, 660, 625, 626

See application file for complete search history.

(56) **References Cited**

U.S. PATENT DOCUMENTS

D93,325	S	*	9/1934	Berolzheimer	D13/145
3,008,571	A	*	11/1961	Bond	206/702
3,038,021	A	*	6/1962	Larson	174/69
D306,999	S	*	4/1990	Moore et al.	D13/153
D330,192	S	*	10/1992	Holland et al.	D13/153
D425,860	S	*	5/2000	Goto	D13/133
D513,735	S	*	1/2006	Nishio et al.	D13/147
D530,671	S	*	10/2006	Reed et al.	D13/147
D549,660	S	*	8/2007	Zenri et al.	D13/147
D576,102	S	*	9/2008	Zenri et al.	D13/147
7,420,120	B2	*	9/2008	Vertente et al.	174/68.1
D580,864	S	*	11/2008	Richmond	D13/133
7,520,782	B1	*	4/2009	Huang	439/638

* cited by examiner

Primary Examiner—Rosemary K Tarca

(74) *Attorney, Agent, or Firm*—David P. Lhota, Esq.; Malin
Haley DiMaggio Bowen & Lhota, P.A.

(57) **CLAIM**

The ornamental design for a cord for electronics, as shown
and described herein.

DESCRIPTION

FIG. 1 is a top perspective view of the preferred embodiment
of the cord for electronics of the instant invention, showing
the new design;

FIG. 2 is a bottom perspective view of the preferred embodi-
ment of the cord for electronics of the instant invention of
FIG. 1;

FIG. 3 is a top plan view of the preferred embodiment of the
cord for electronics of the instant invention of FIG. 1;

FIG. 4 is a bottom plan view of the preferred embodiment of
the cord for electronics of the instant invention of FIG. 1;

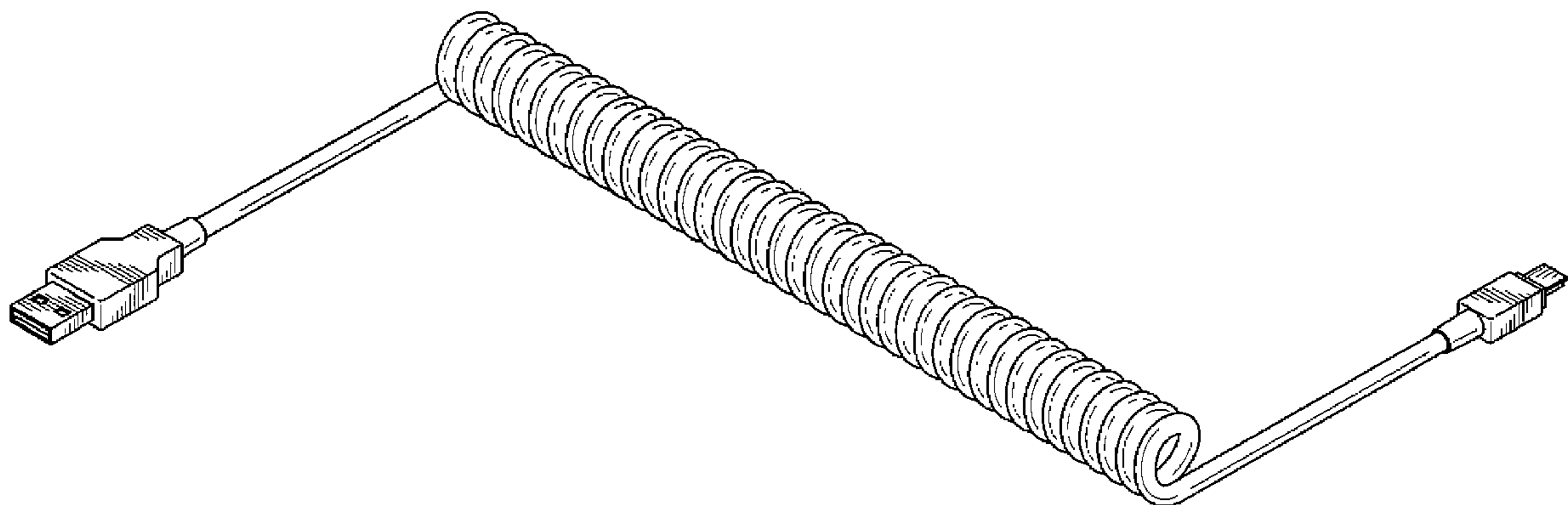
FIG. 5 is an elevational view of the left side of the preferred
embodiment of the cord for electronics of the instant inven-
tion of FIG. 1;

FIG. 6 is an elevational view of the right side of the preferred
embodiment of the cord for electronics of the instant inven-
tion of FIG. 1;

FIG. 7 is an elevational view of the front side of the preferred
embodiment of the cord for electronics of the instant inven-
tion of FIG. 1; and,

FIG. 8 is an elevational view of the back side of the preferred
embodiment of the cord for electronics of the instant inven-
tion of FIG. 1.

1 Claim, 5 Drawing Sheets



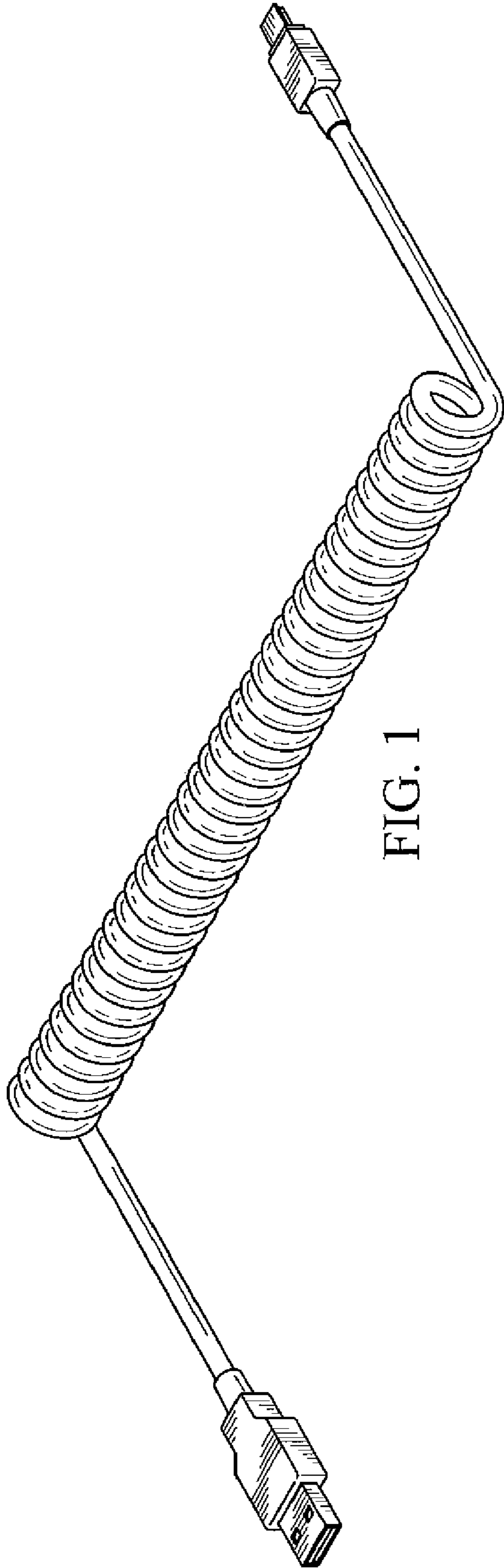


FIG. 1

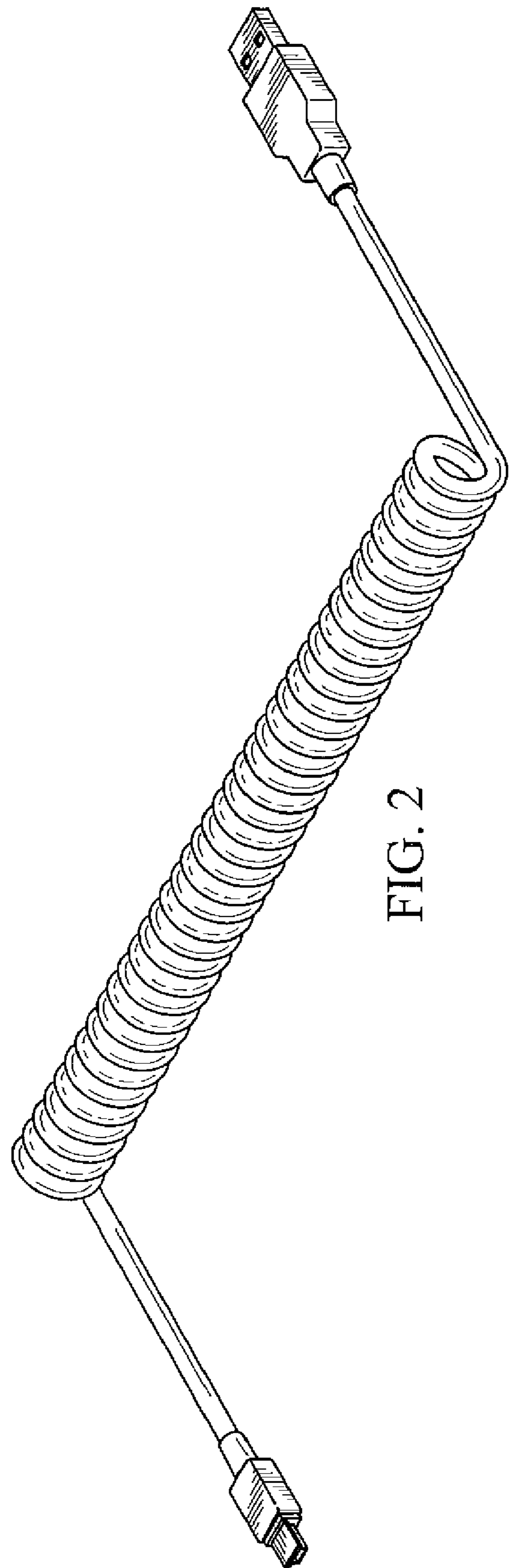


FIG. 2

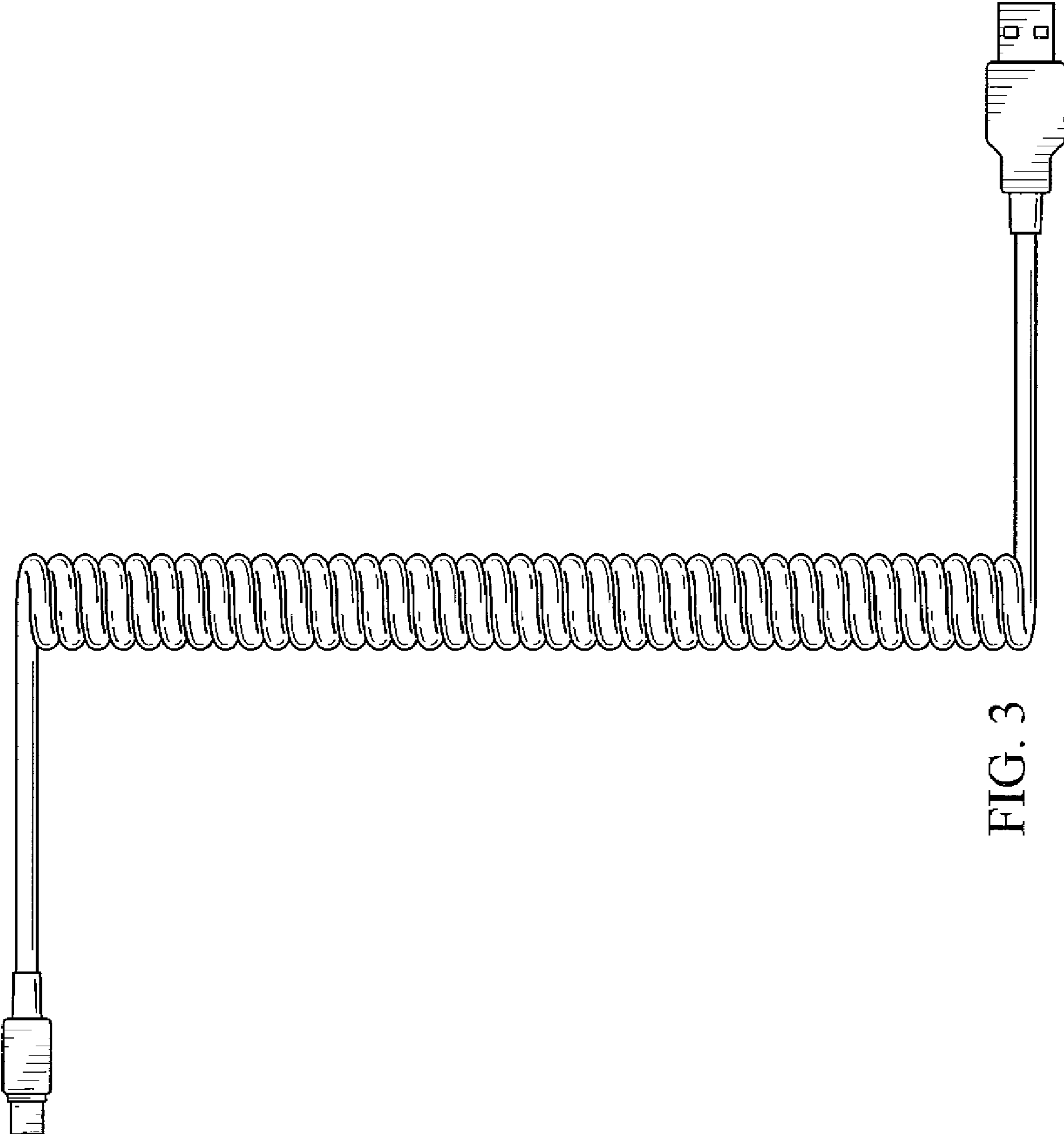


FIG. 3

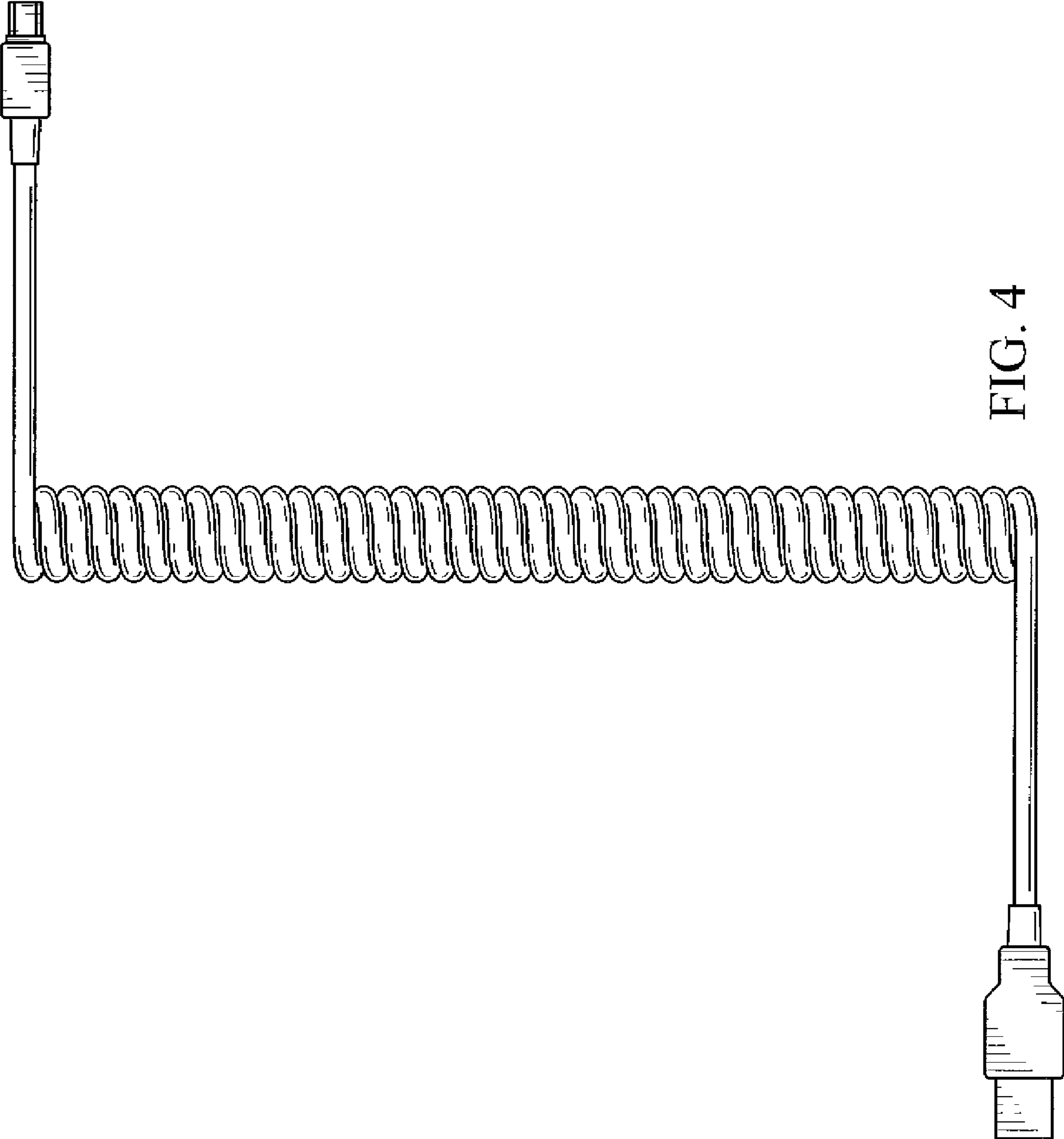


FIG. 4

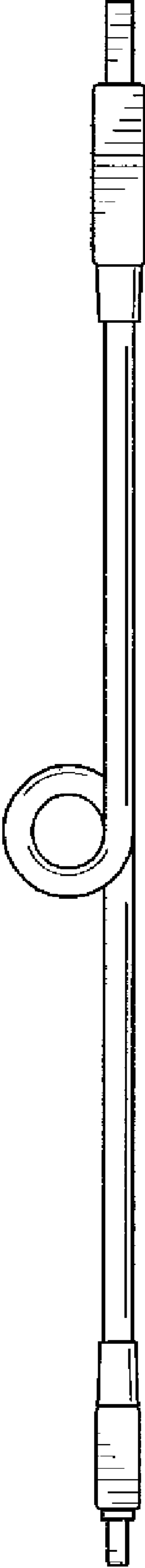


FIG. 5

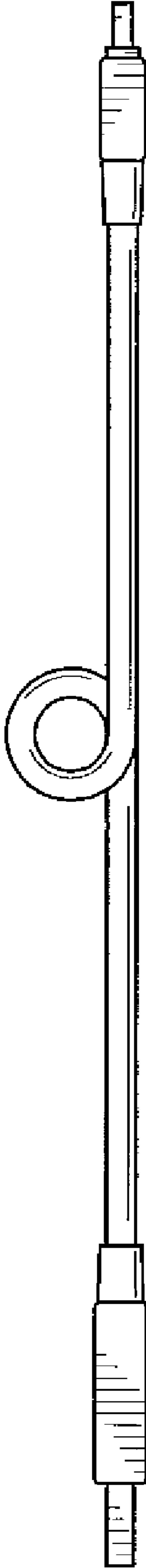


FIG. 6

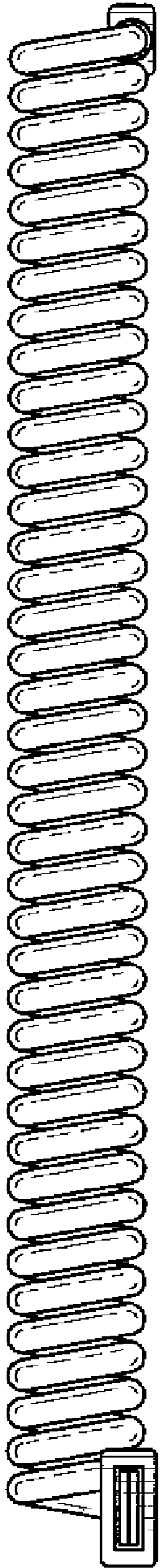


FIG. 7

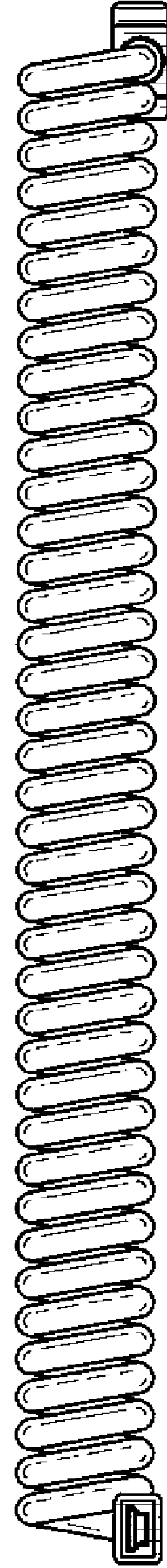


FIG. 8