



US00D631441S

(12) **United States Design Patent**
So

(10) **Patent No.:** **US D631,441 S**

(45) **Date of Patent:** **** Jan. 25, 2011**

(54) **CONNECTOR TERMINAL**

(75) Inventor: **Shun Tong So**, Kwun Tong (HK)

(73) Assignee: **Morning Star Industrial Company Limited**, Kwun Tong (HK)

(**) Term: **14 Years**

(21) Appl. No.: **29/310,925**

(22) Filed: **Sep. 17, 2008**

(51) **LOC (9) Cl.** **13-03**

(52) **U.S. Cl.** **D13/147**

(58) **Field of Classification Search** D13/133,
D13/146-147, 154, 158, 162, 184; D14/217,
D14/299; 439/344, 535-536, 540.1, 638,
439/650, 676

See application file for complete search history.

(56) **References Cited**

U.S. PATENT DOCUMENTS

D315,545 S *	3/1991	Akaba et al.	D13/147
D564,454 S *	3/2008	Kudo	D13/147
D570,783 S *	6/2008	So	D13/147
D573,093 S *	7/2008	So	D13/133
D585,024 S *	1/2009	Kudo	D13/133
D585,030 S *	1/2009	Kudo	D13/147

D585,831 S * 2/2009 Kudo D13/147

* cited by examiner

Primary Examiner—Daniel D Bui

(74) *Attorney, Agent, or Firm*—Carl H. Pierce; Reed Smith LLP

(57) **CLAIM**

The ornamental design for a connector terminal, as shown and described.

DESCRIPTION

FIG. 1 is a front elevation view of a connector terminal, showing my new design;

FIG. 2 is a rear elevation view thereof;

FIG. 3 is a left side elevation view thereof;

FIG. 4 is right side elevation view thereof;

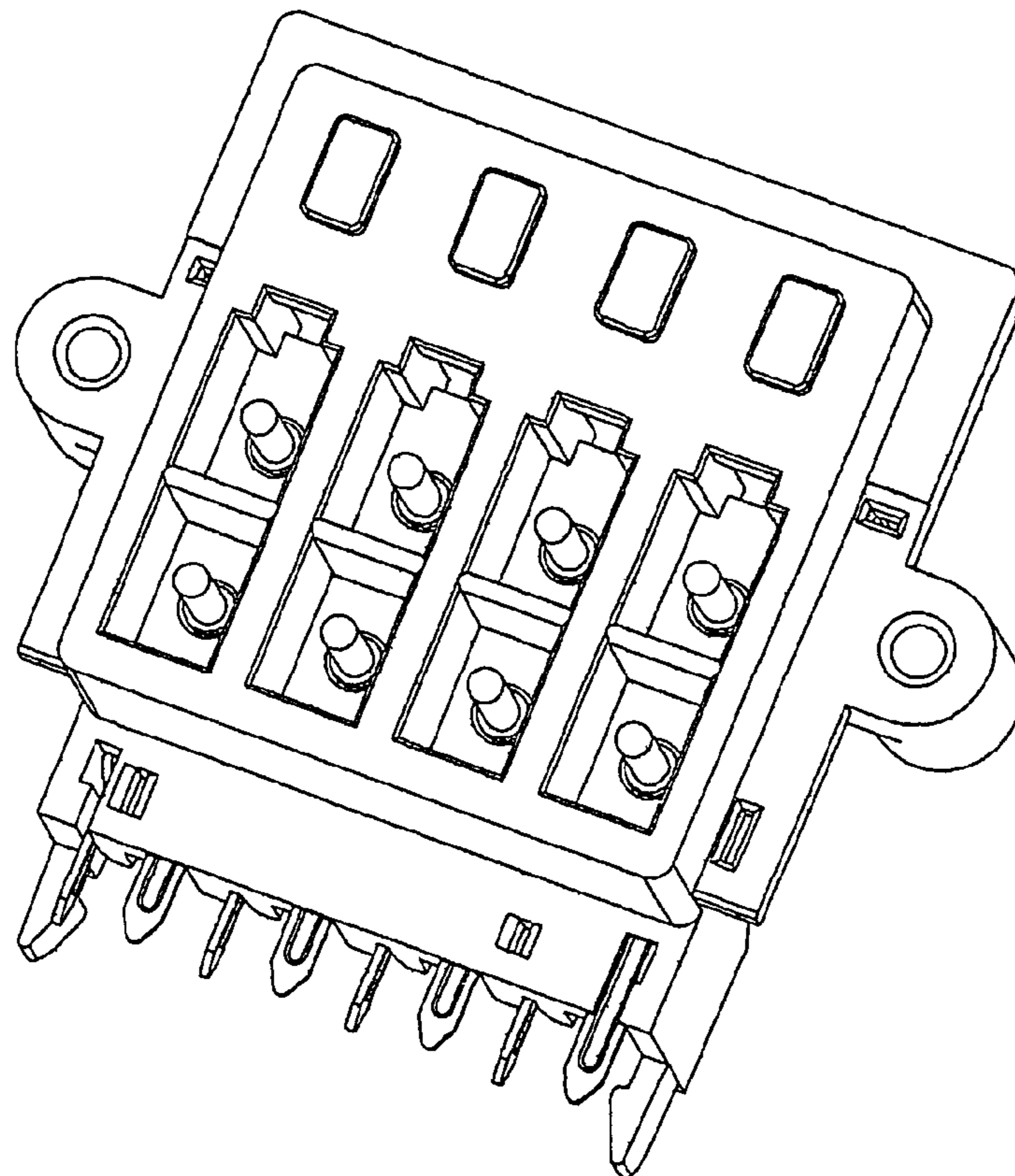
FIG. 5 is a top plan view thereof;

FIG. 6 is a bottom plan view thereof; and,

FIG. 7 is a bottom, front and right side perspective view thereof.

The broken line portion in FIG. 2 is included to show unclaimed subject matter only and forms no part of the claimed invention.

1 Claim, 7 Drawing Sheets



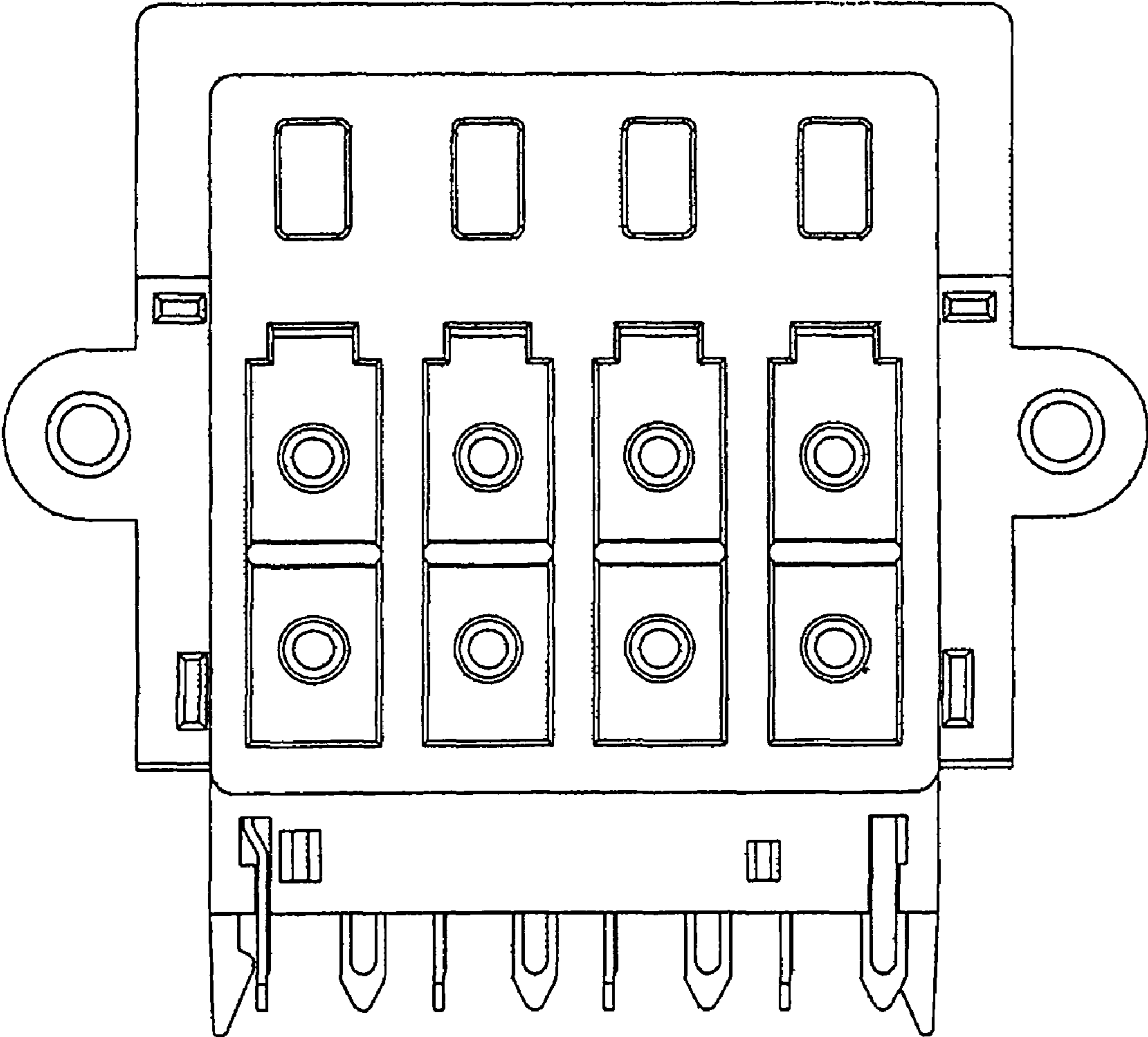


Fig. 1

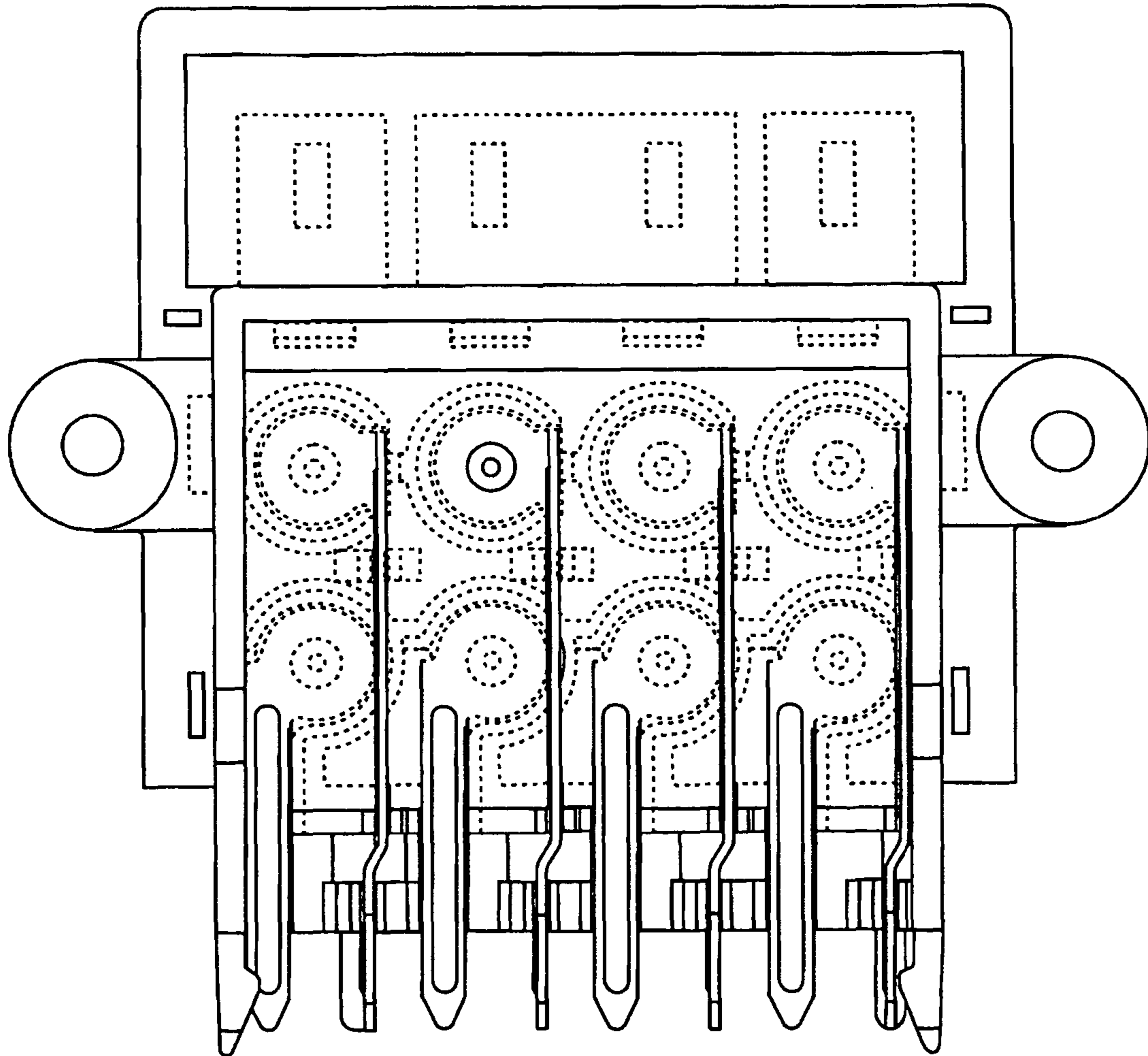


Fig. 2

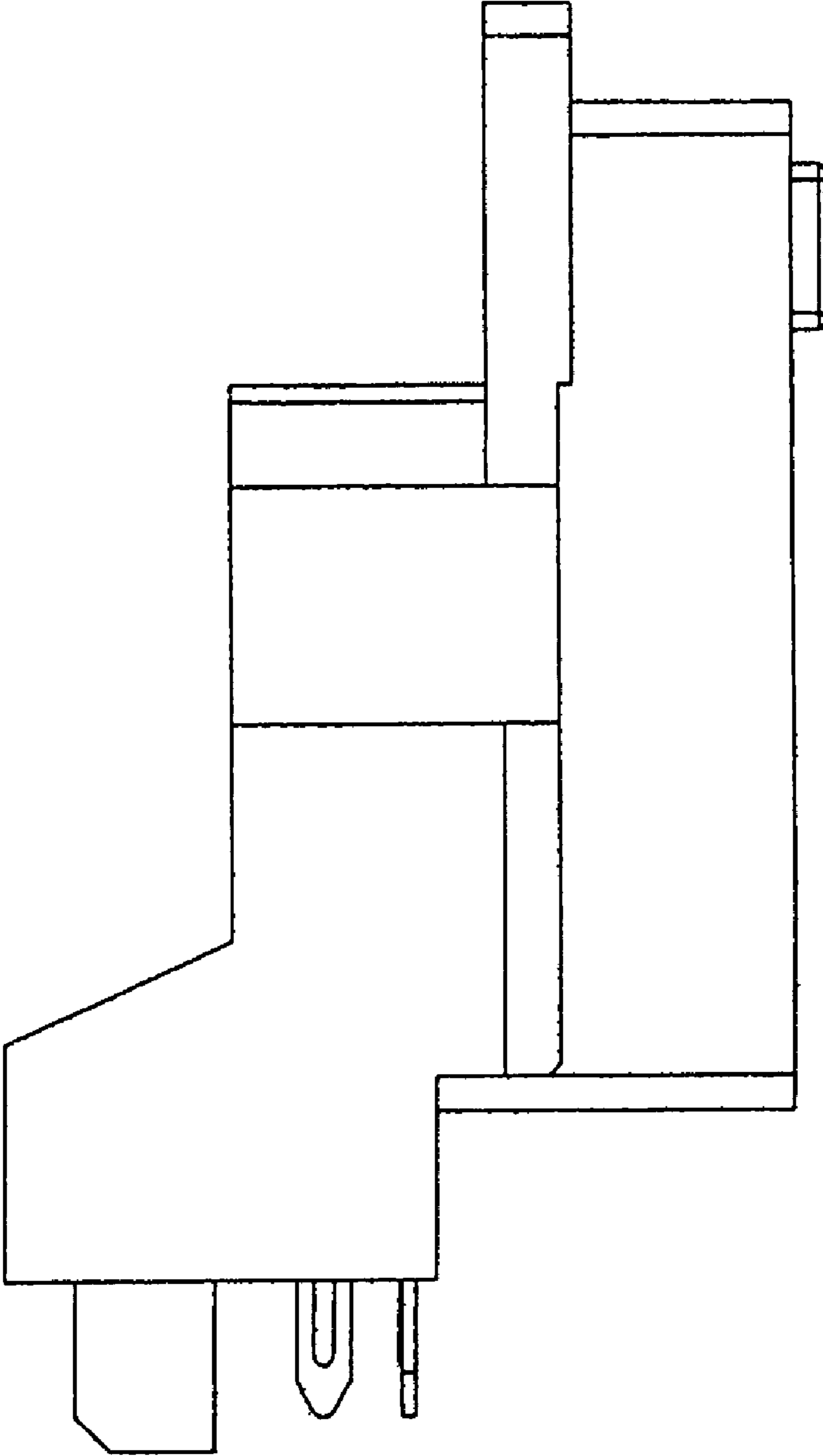


Fig. 3

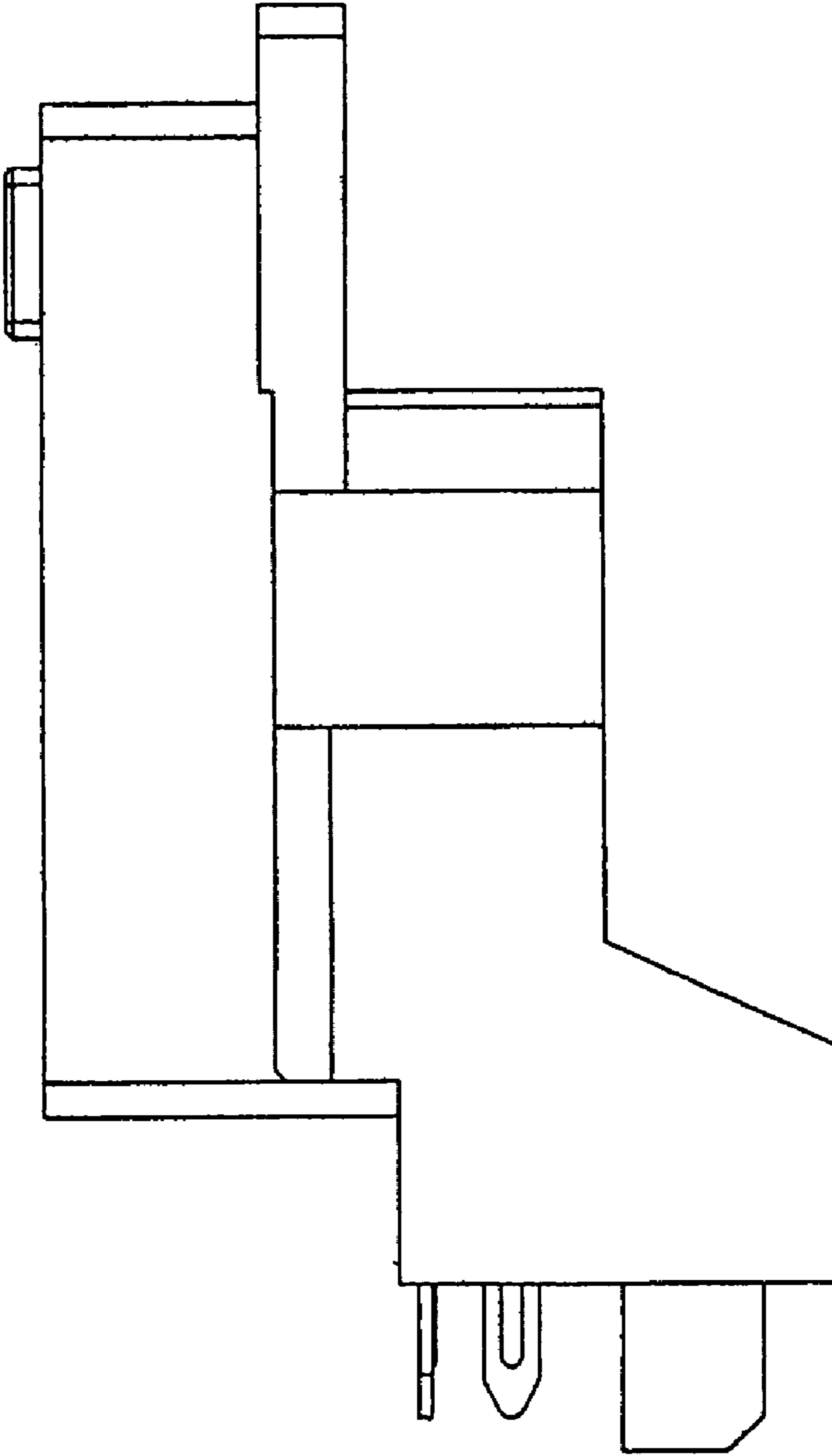


Fig. 4

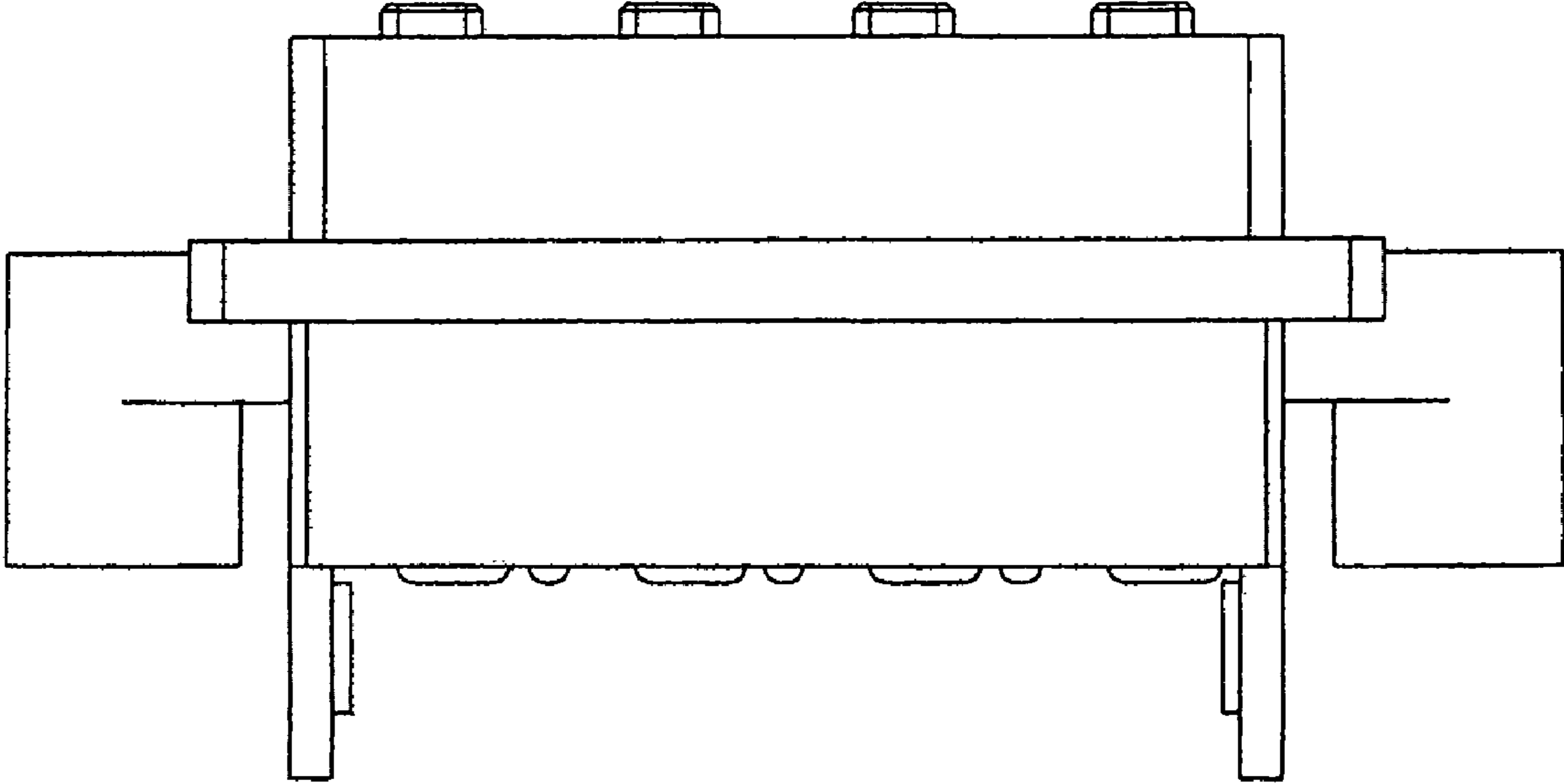


Fig. 5

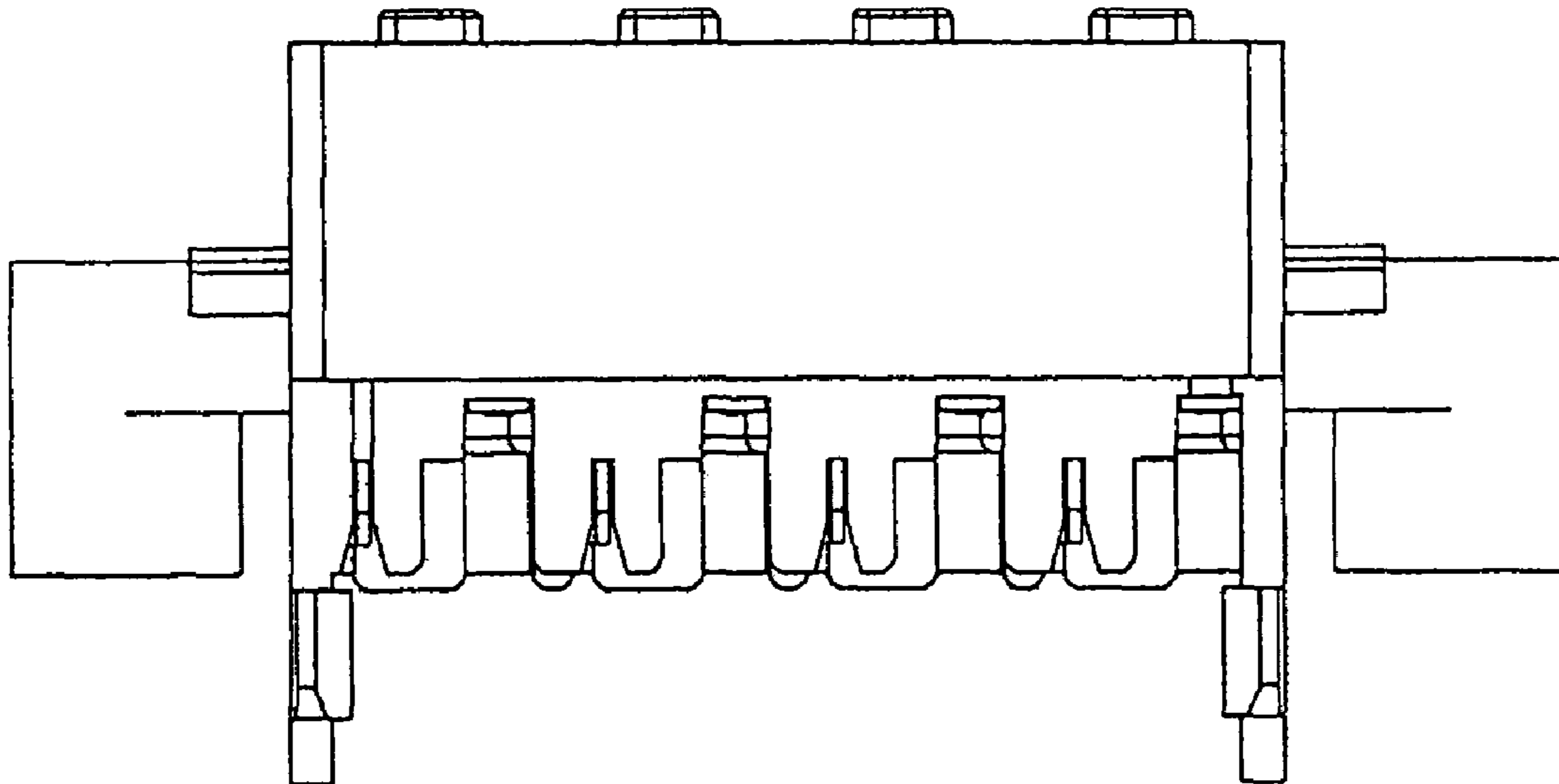


Fig. 6

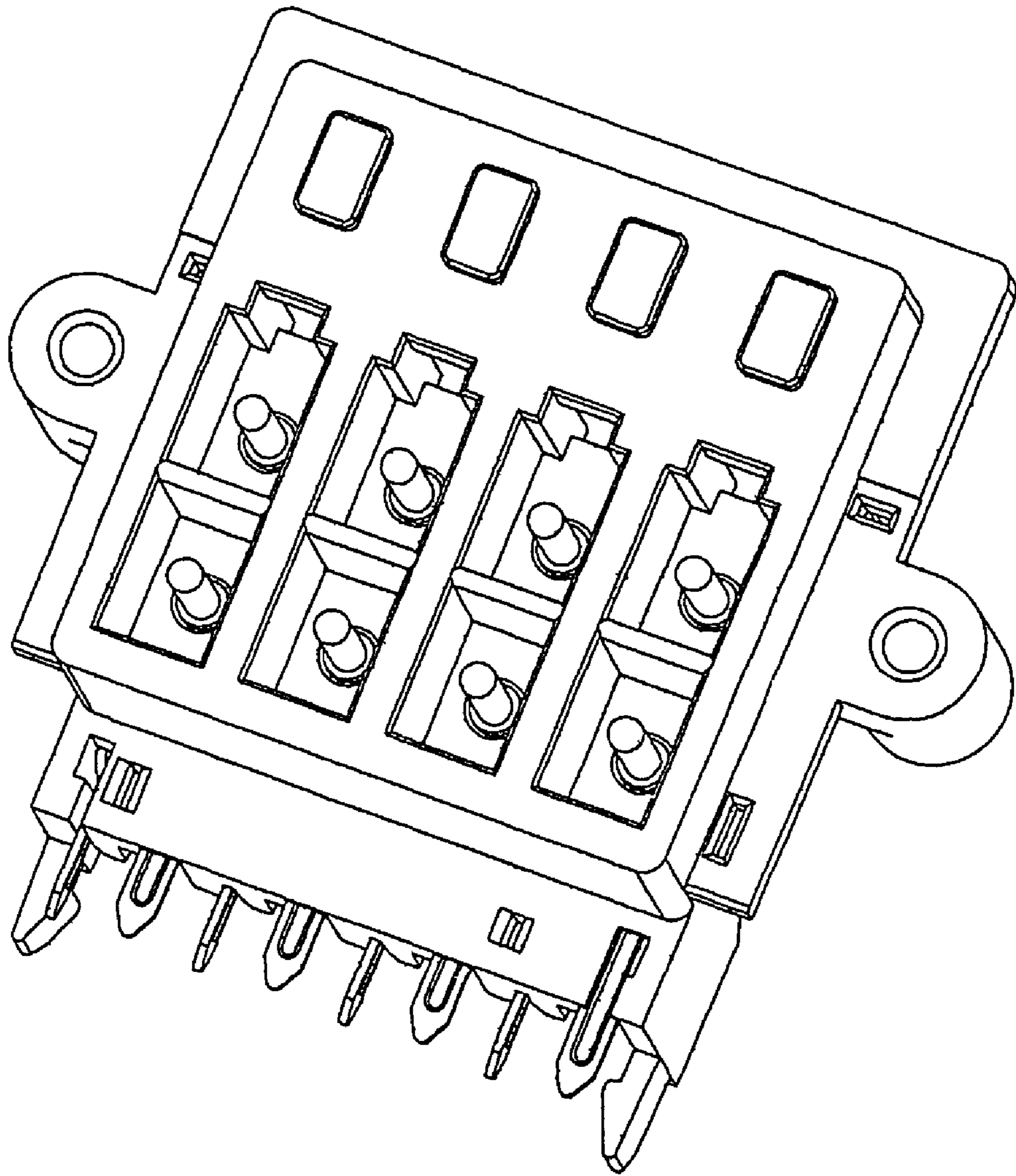


Fig. 7