



US00D631438S

(12) **United States Design Patent**
Yokoyama et al.

(10) **Patent No.:** **US D631,438 S**

(45) **Date of Patent:** **** Jan. 25, 2011**

(54) **PORTION OF GEARED MOTOR**

(75) Inventors: **Masanao Yokoyama**, Tokyo (JP);
Satoru Yamauchi, Tokyo (JP)

(73) Assignee: **Seiko Clock Inc.** (JP)

(**) Term: **14 Years**

(21) Appl. No.: **29/357,496**

(22) Filed: **Mar. 12, 2010**

(30) **Foreign Application Priority Data**

Sep. 14, 2009 (JP) 2009-021214

(51) **LOC (9) Cl.** **13-01**

(52) **U.S. Cl.** **D13/122**

(58) **Field of Classification Search** D13/122,
D13/101, 113, 114, 118, 184, 199; D7/397,
D7/400; D9/414, 424, 425, 428, 435; D15/5,
D15/199; 29/596-598; 310/88, 89, 90, 91;
322/16, 39

See application file for complete search history.

(56) **References Cited**

U.S. PATENT DOCUMENTS

D200,577 S * 3/1965 Hennessey et al. D13/112
D269,671 S * 7/1983 Horsting D13/122
D275,478 S * 9/1984 Griggs D13/122
D301,574 S * 6/1989 Riggs D13/112
D325,560 S * 4/1992 Baines D13/112
D328,405 S * 8/1992 Heiligenstein et al. D7/400

D336,890 S * 6/1993 Hirose et al. D13/112
D409,564 S * 5/1999 Koshida D13/112
D540,254 S * 4/2007 Wolf D13/112
D573,091 S * 7/2008 Shih et al. D13/112
D577,669 S * 9/2008 Hornberger D13/112
D579,869 S * 11/2008 Lau et al. D13/112
2003/0222089 A1 * 12/2003 Hale 220/912

* cited by examiner

Primary Examiner—Prabhakar Deshmukh

Assistant Examiner—Derrick Holland

(74) *Attorney, Agent, or Firm*—SAIDMAN DesignLaw Group

(57) **CLAIM**

The ornamental design for a portion of geared motor, as shown and described.

DESCRIPTION

FIG. 1 is a perspective view of a portion of geared motor;

FIG. 2 is a front view thereof;

FIG. 3 is a rear view thereof;

FIG. 4 is a left side view thereof;

FIG. 5 is a right side view thereof;

FIG. 6 is a top plan view thereof; and,

FIG. 7 is a bottom plan view thereof.

The broken lines showing on the drawing disclosure are for illustrative purposes only and form no part of the claimed design.

1 Claim, 3 Drawing Sheets

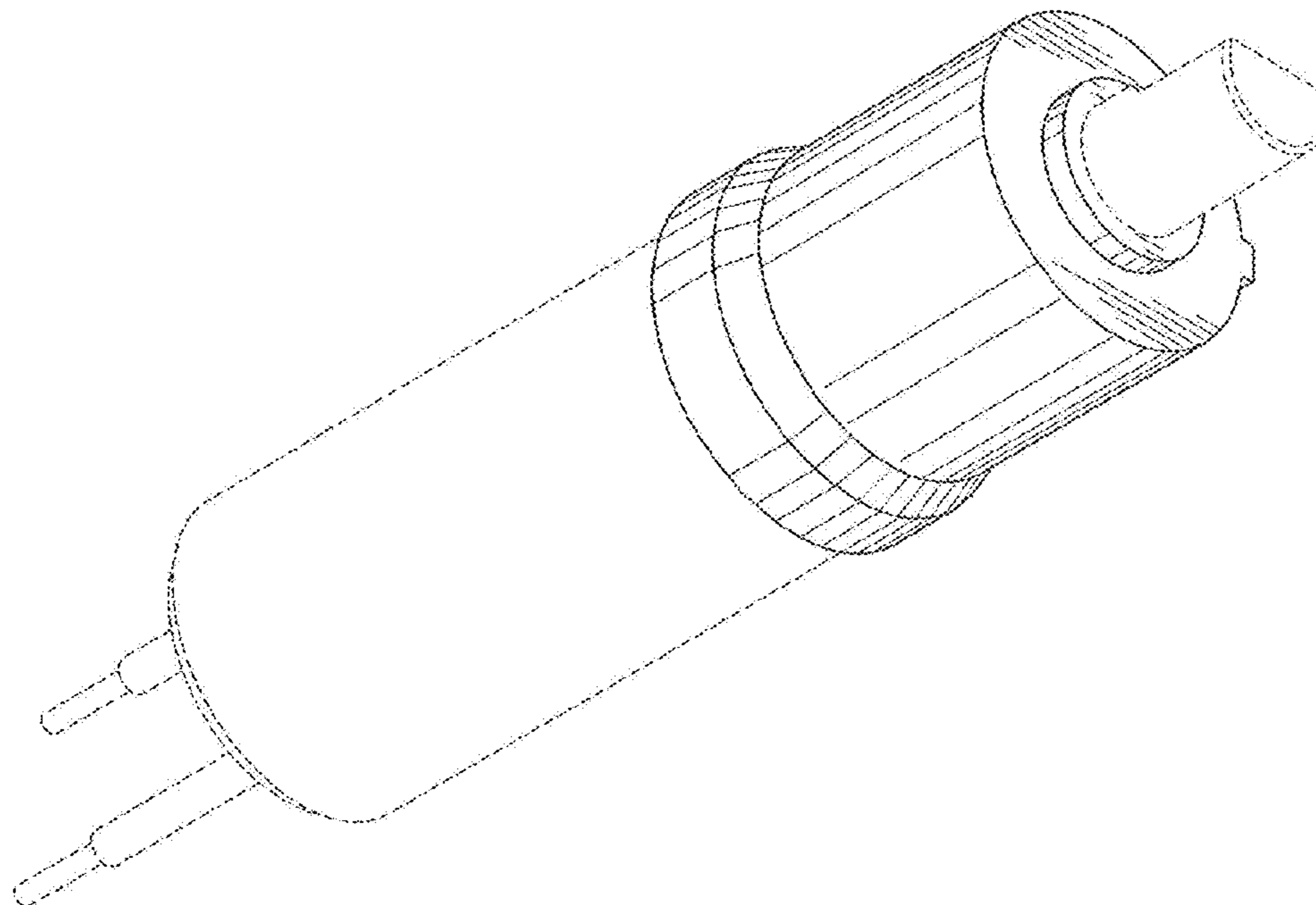


Fig.1

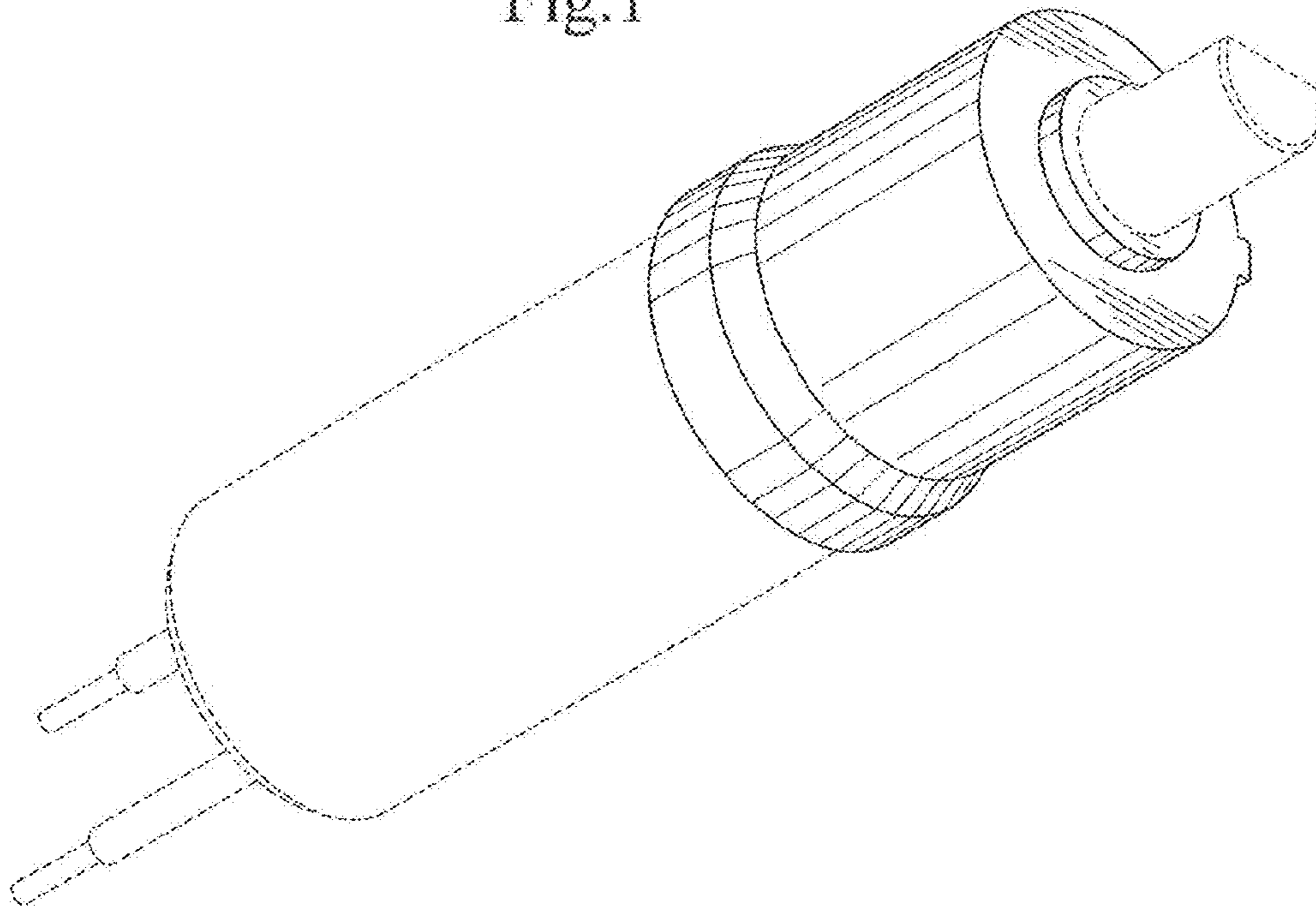


Fig.2

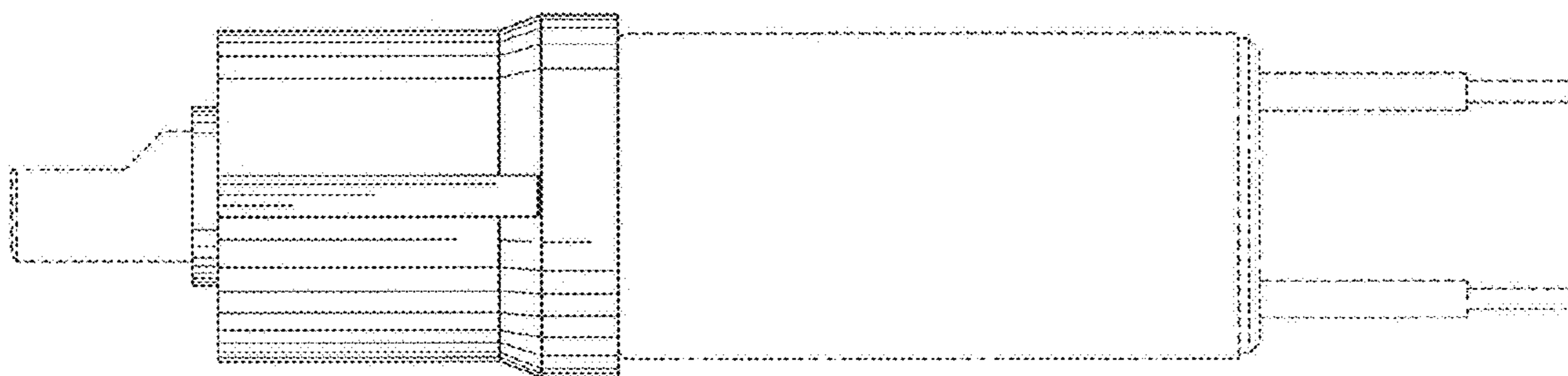


Fig.3

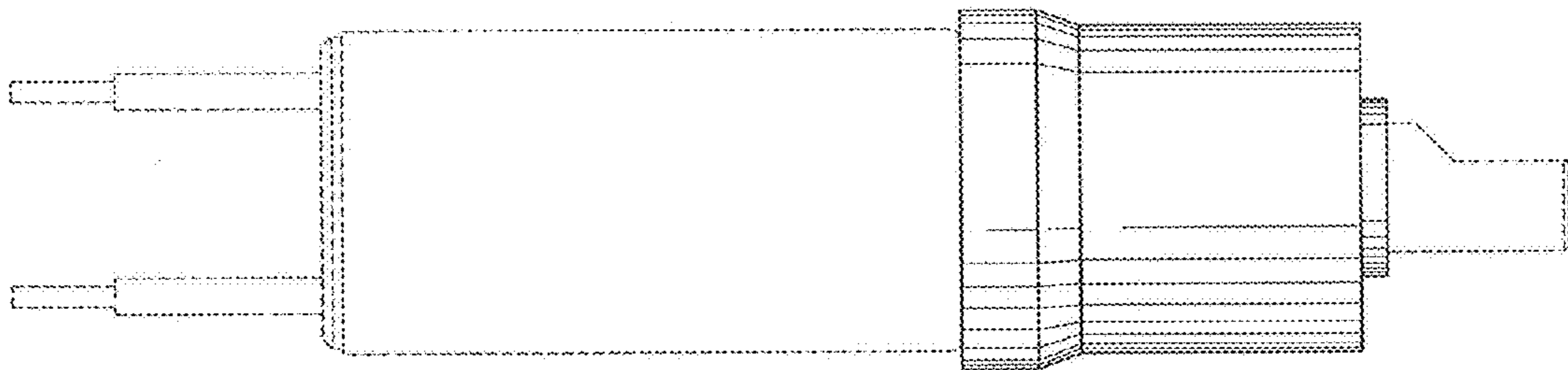


Fig.4

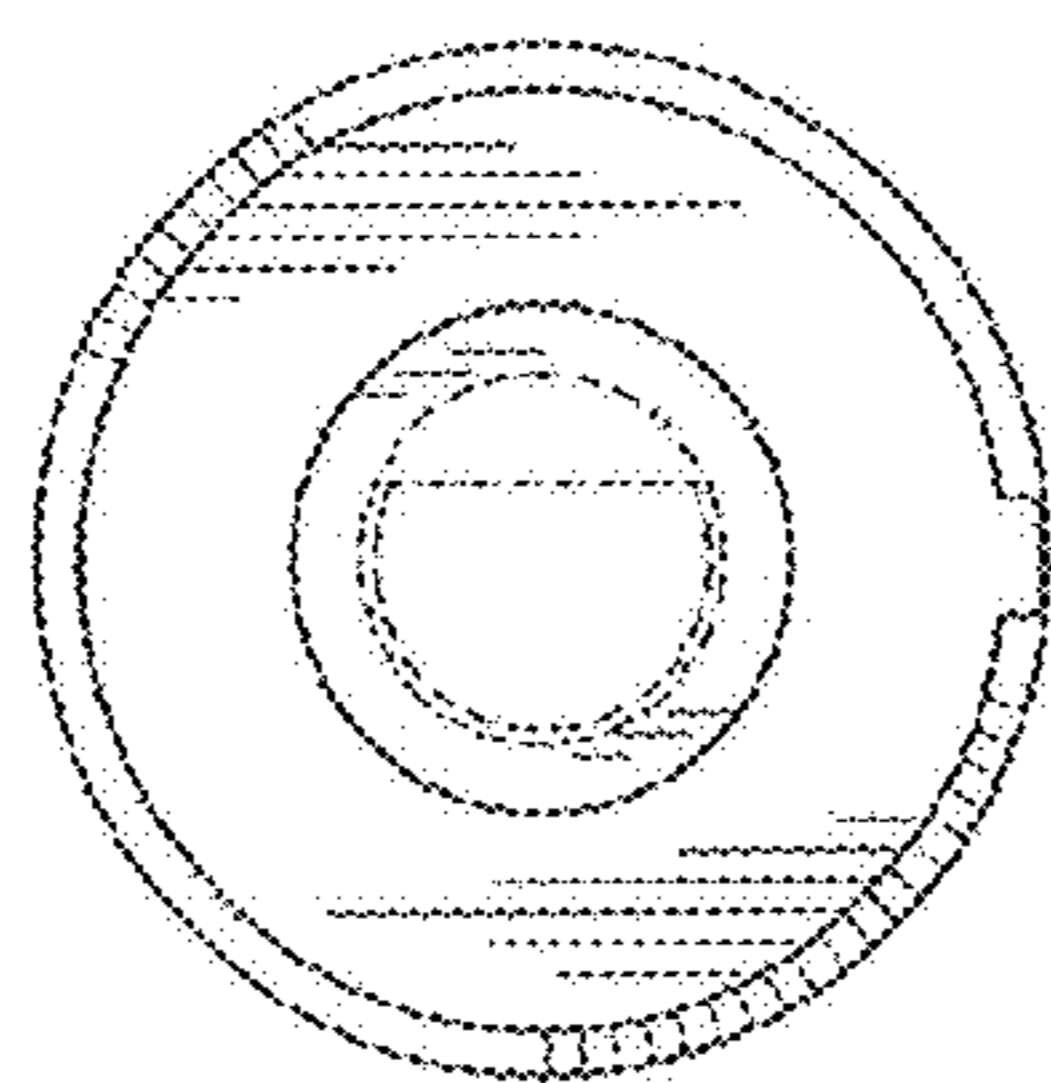


Fig.5

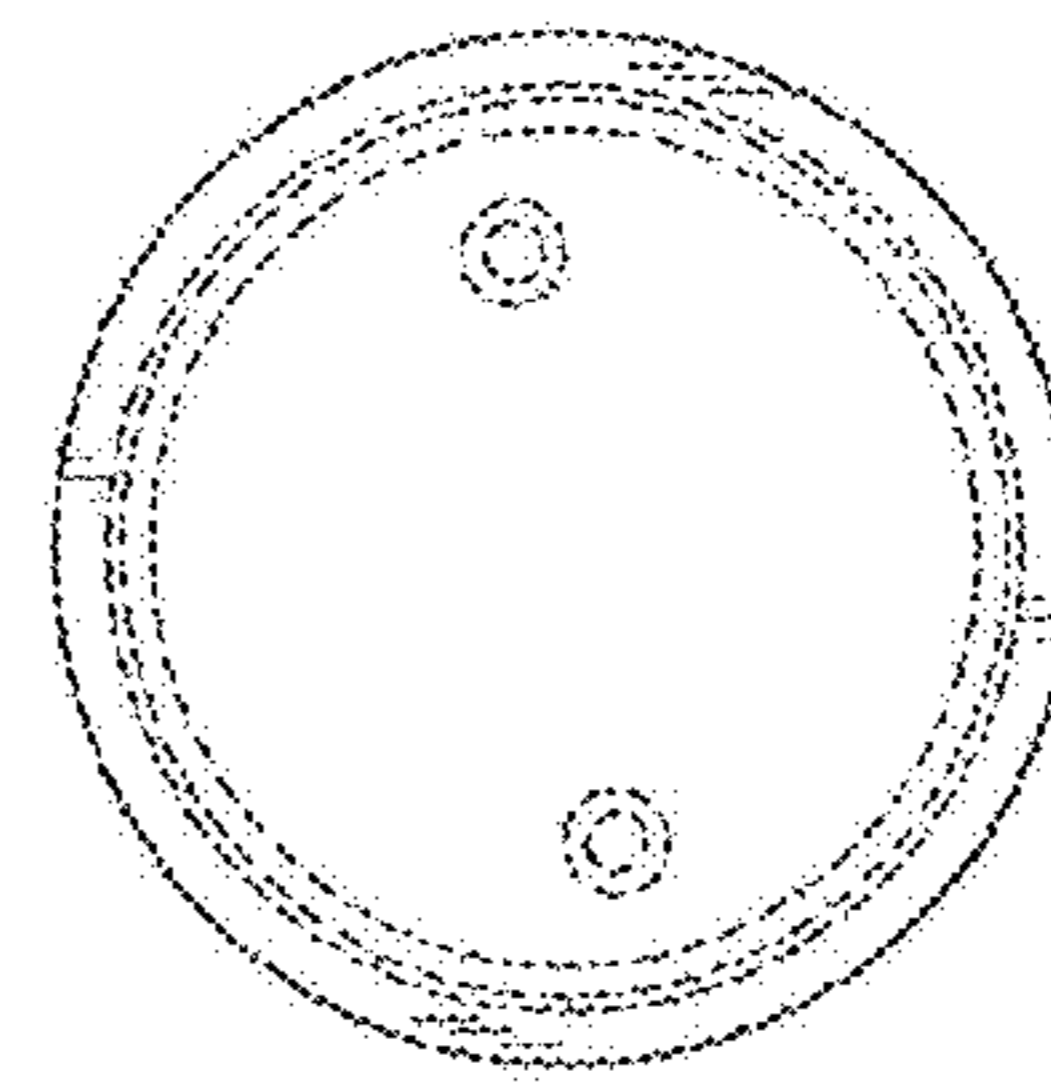


Fig.6

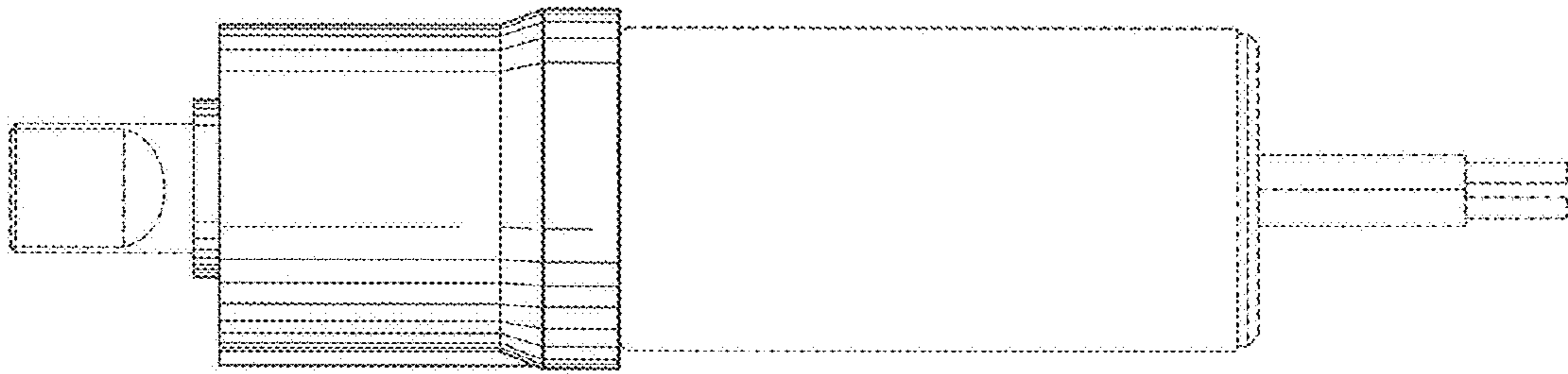


Fig.7

