



US00D631436S

(12) **United States Design Patent**
Huang et al.

(10) **Patent No.:** **US D631,436 S**
(45) **Date of Patent:** **** Jan. 25, 2011**

(54) **SERVO MOTOR DRIVER**

D552,031 S * 10/2007 Kono et al. D13/112
D553,564 S * 10/2007 Kuo et al. D13/110

(75) Inventors: **Ming-Hua Huang**, Taoyuan Shien
(TW); **Yi-Chen Wang**, Taoyuan Shien
(TW)

* cited by examiner

Primary Examiner—Prabhakar Deshmukh
Assistant Examiner—Derrick Holland

(73) Assignee: **Delta Electronics, Inc.**, Taoyuan (TW)

(74) *Attorney, Agent, or Firm*—Chun-Ming Shih; HDLS IPR
Services

(**) Term: **14 Years**

(57) **CLAIM**

(21) Appl. No.: **29/346,064**

The ornamental design for a servo motor driver, as shown and
described.

(22) Filed: **Oct. 26, 2009**

(51) **LOC (9) Cl.** **13-02**

DESCRIPTION

(52) **U.S. Cl.** **D13/110**

(58) **Field of Classification Search** D13/110,
D13/101, 112, 123, 184, 199; D14/188,
D14/222, 353, 358; 318/560; 361/600, 601,
361/622, 679.32, 725, 730, 733; 363/13
See application file for complete search history.

FIG. 1 is a perspective view of a servo motor driver showing
my new design;

FIG. 2 is a front view thereof;

FIG. 3 is a rear view thereof;

FIG. 4 is a left side view thereof;

FIG. 5 is a right side view thereof;

FIG. 6 is a top view thereof;

FIG. 7 is a bottom view thereof; and,

FIG. 8 is another perspective view showing the servo motor
driver.

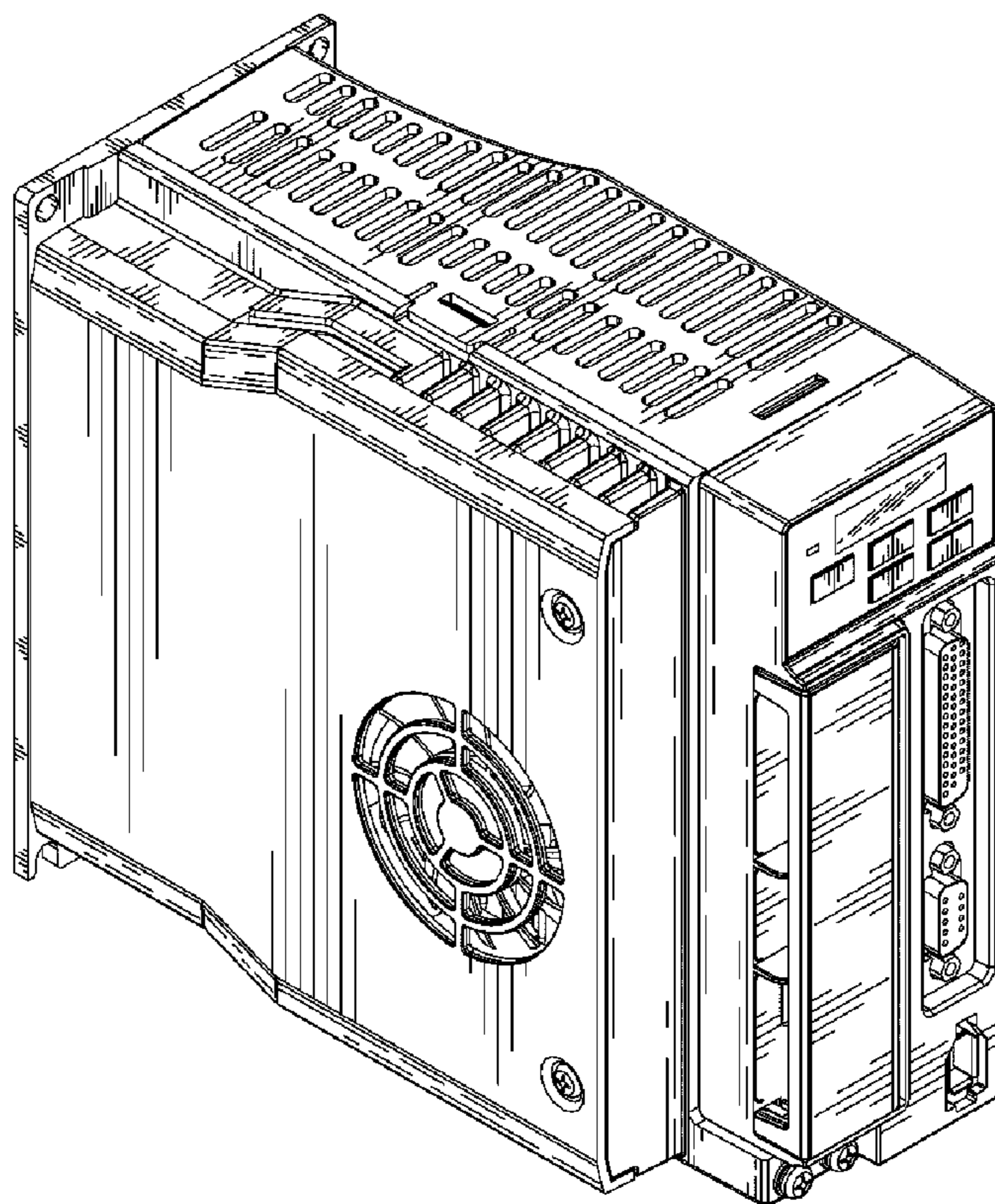
The broken lines in the drawing depict environmental subject
matter only and form no part of the claimed design.

(56) **References Cited**

U.S. PATENT DOCUMENTS

D442,546 S * 5/2001 Park et al. D13/110
6,331,933 B1 * 12/2001 Rumney 361/622
D465,453 S * 11/2002 Chan D13/110
D478,061 S * 8/2003 Abe et al. D14/188
D479,219 S * 9/2003 Abe et al. D14/188
6,731,507 B2 * 5/2004 Varghese et al. 361/725
D491,523 S * 6/2004 Chi et al. D13/110

1 Claim, 8 Drawing Sheets



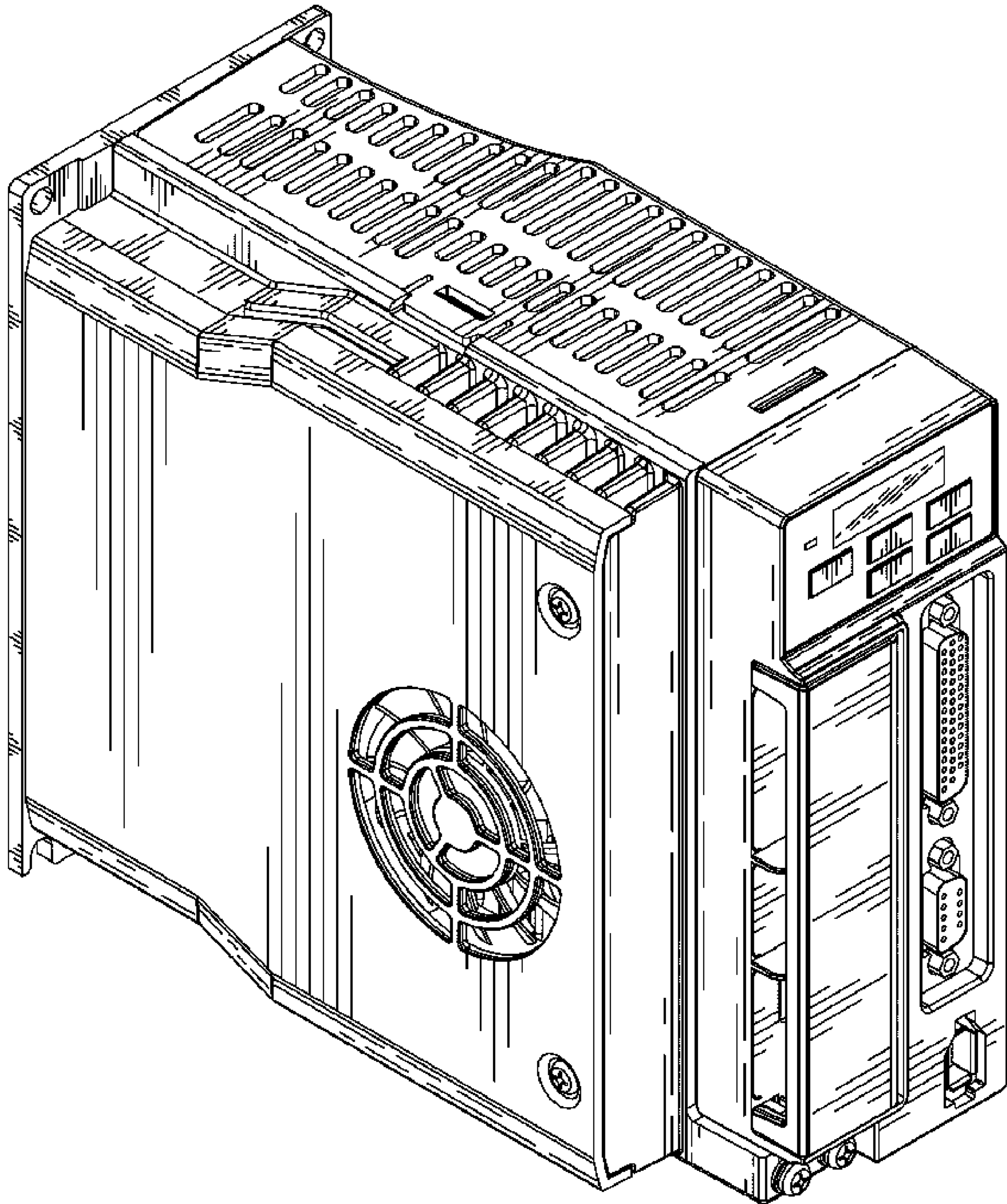


FIG. 1

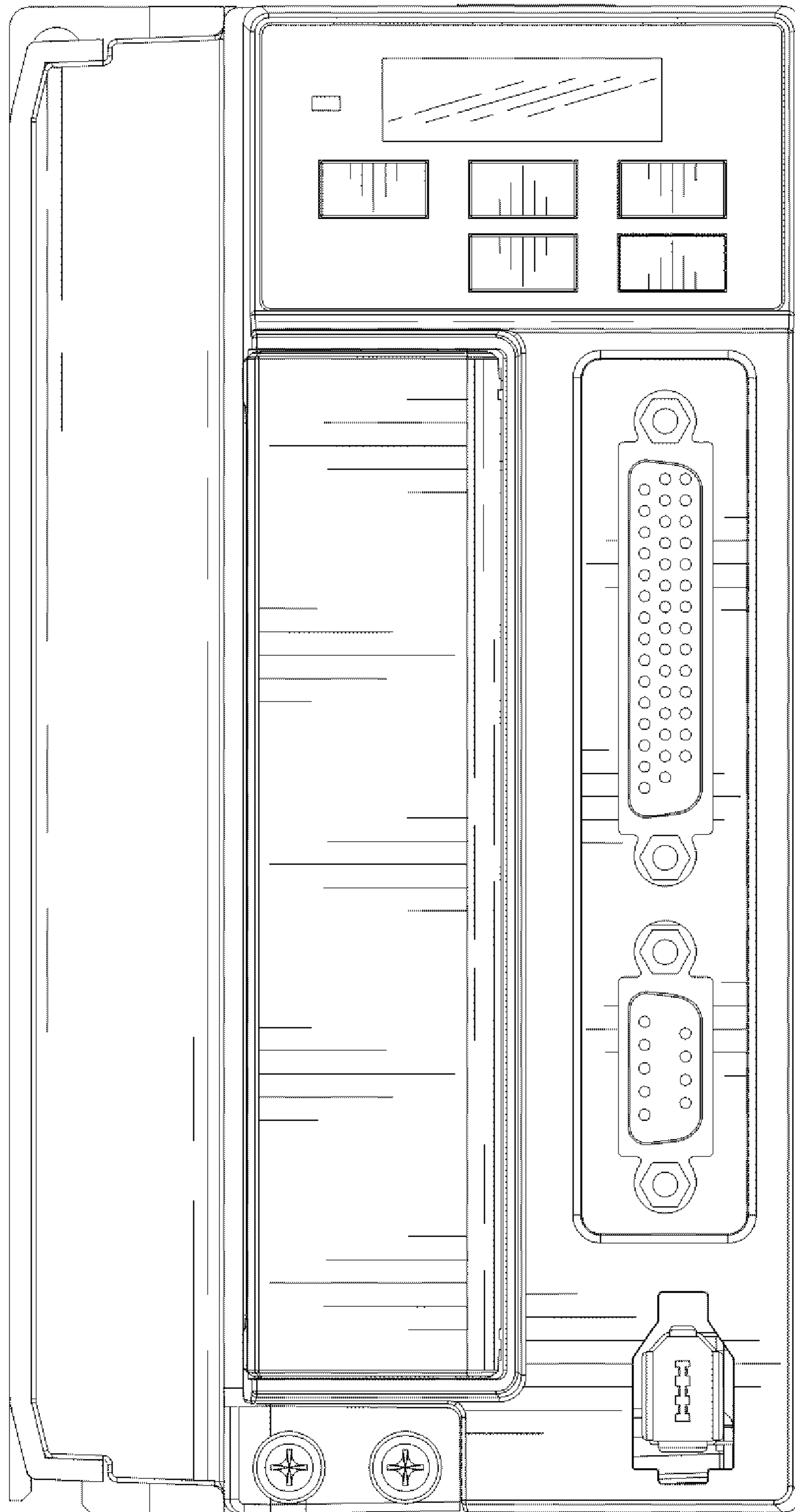


FIG.2

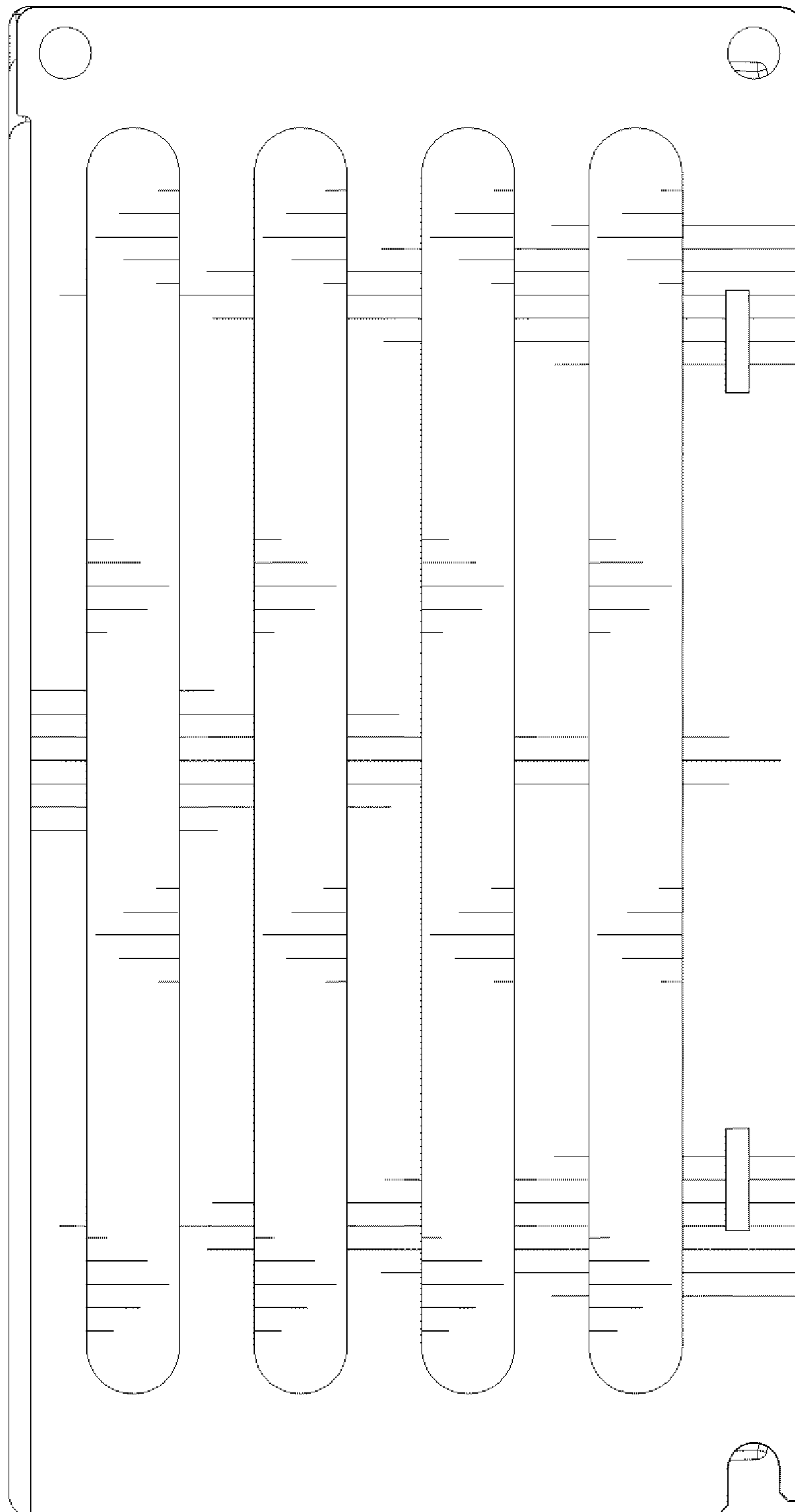


FIG. 3

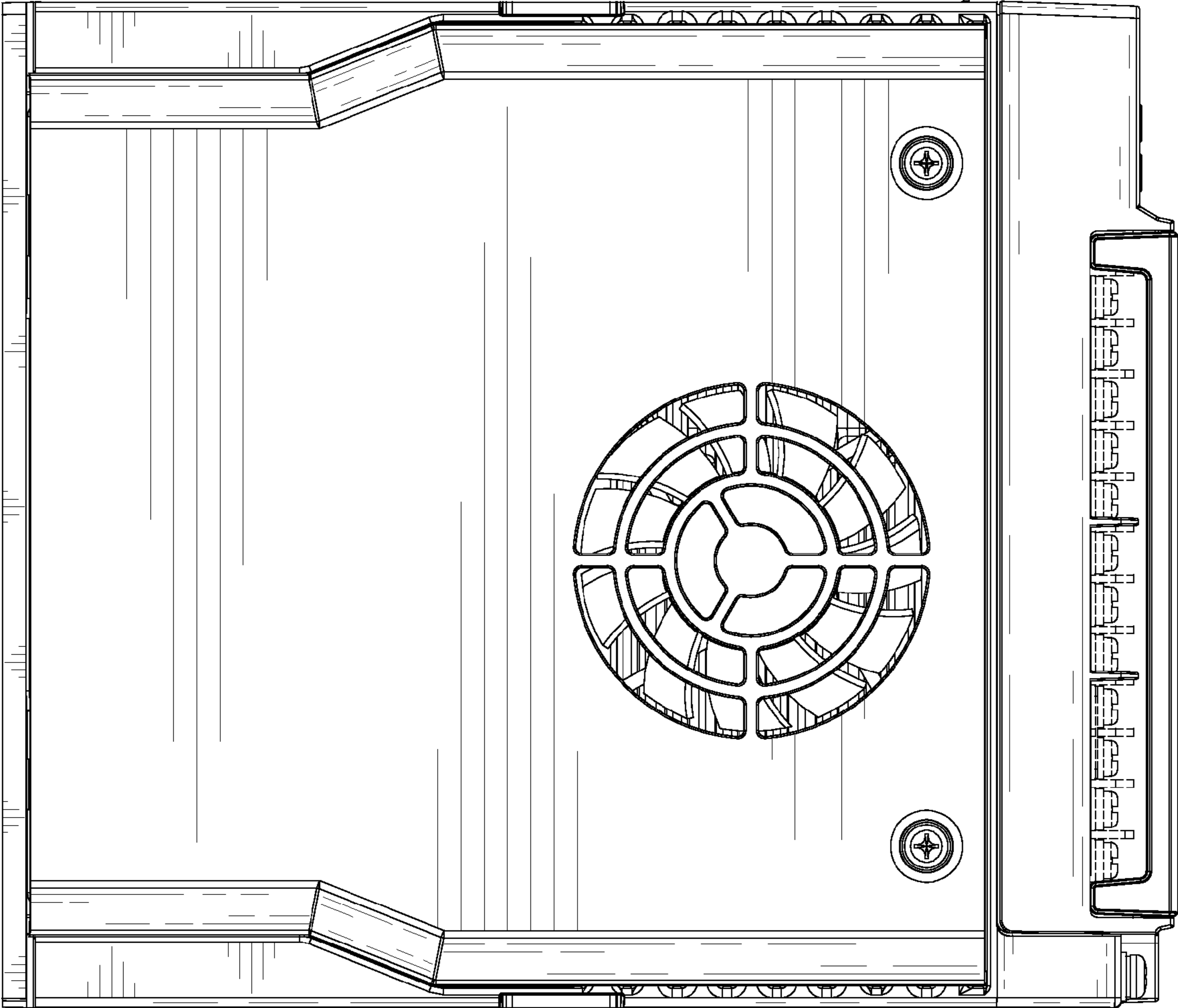


FIG.4

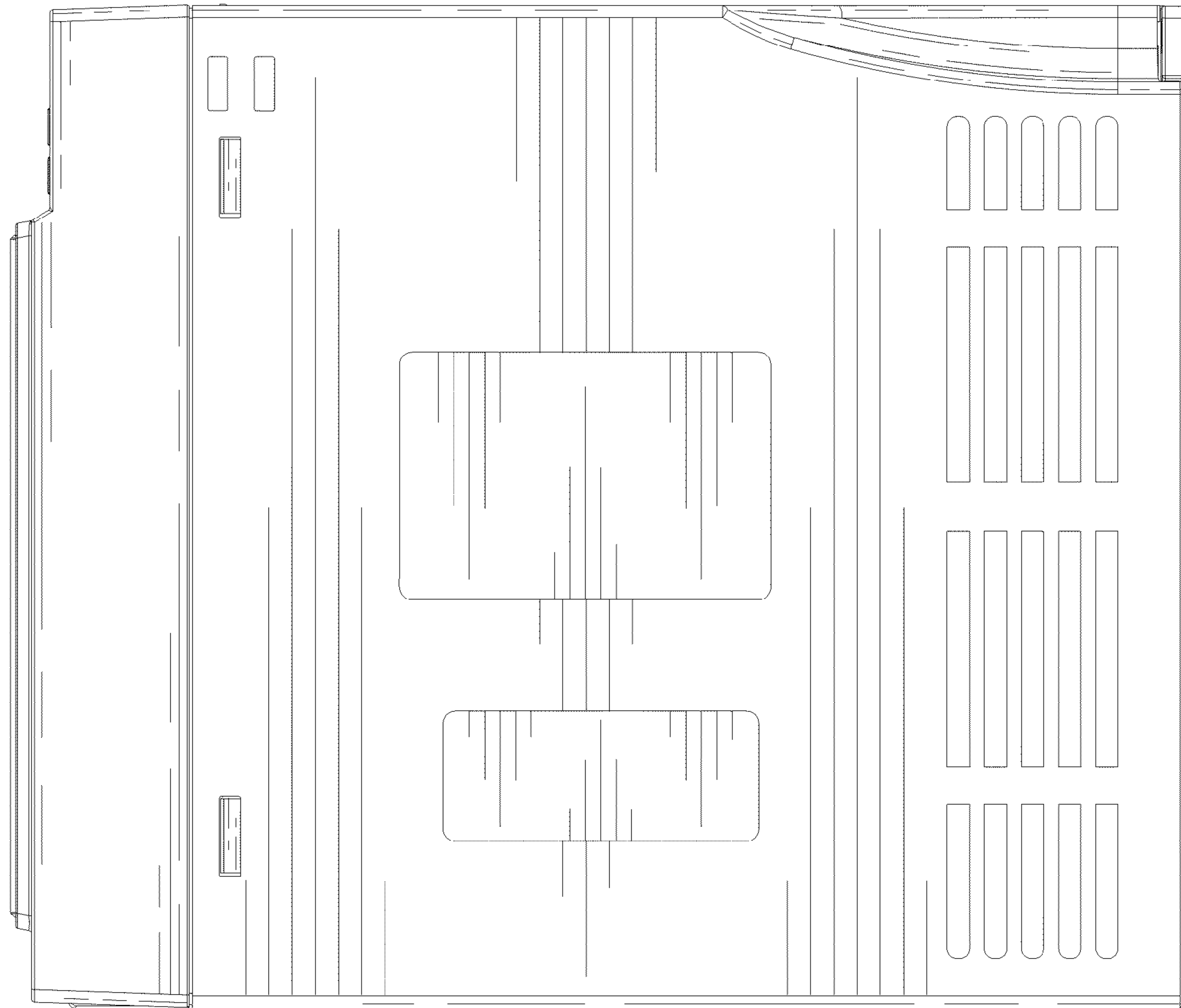


FIG.5

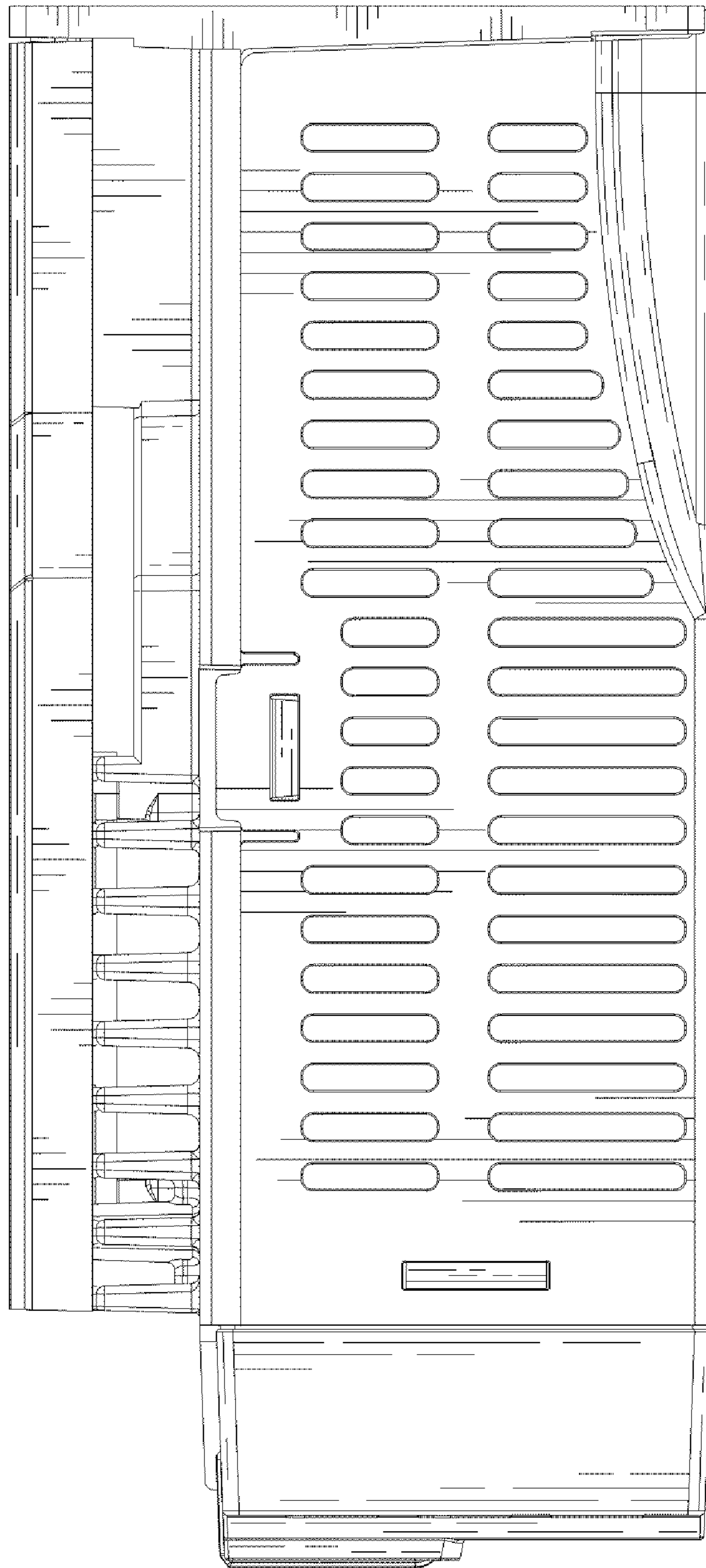


FIG.6

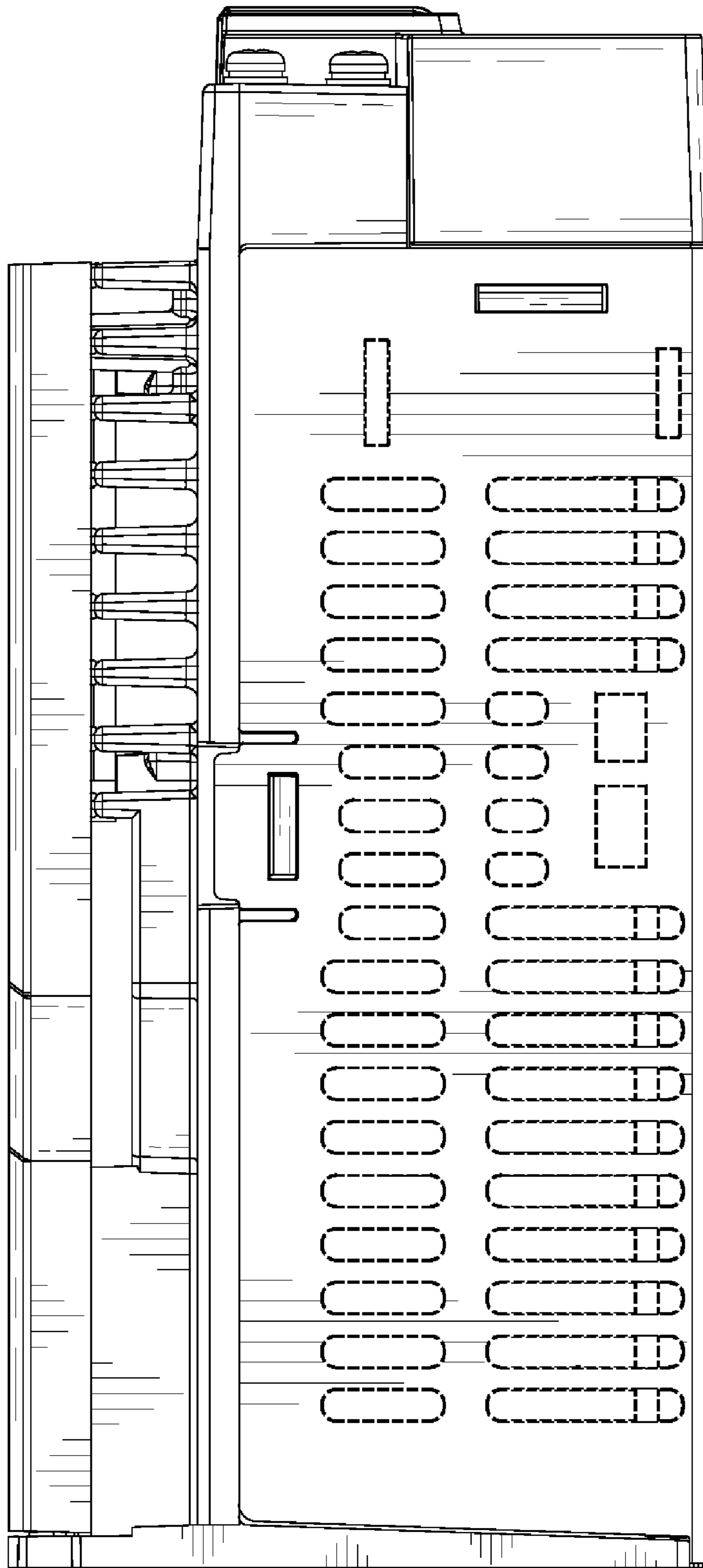


FIG.7

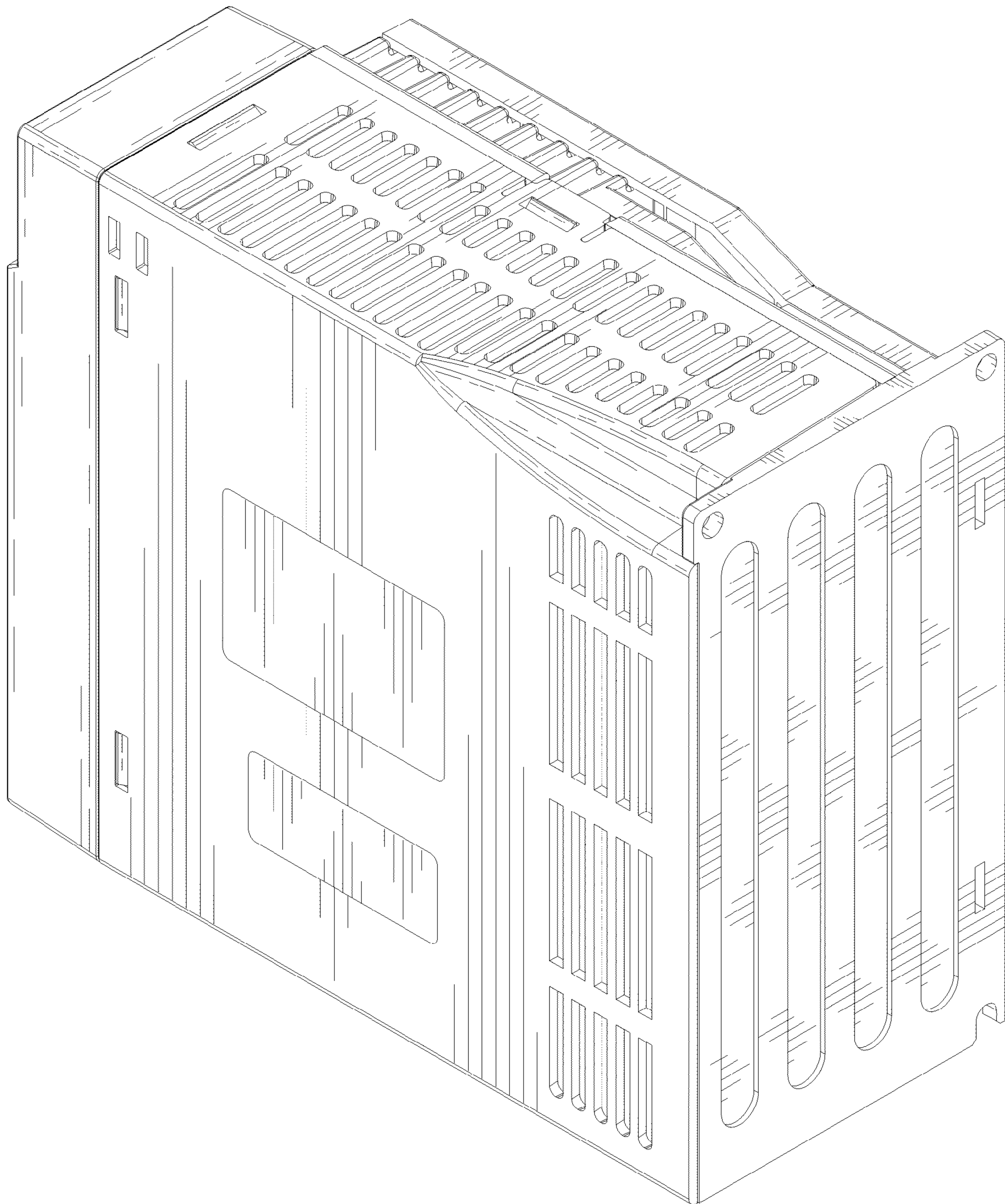


FIG.8