



US00D631431S

(12) **United States Design Patent**
DeFelice

(10) **Patent No.:** **US D631,431 S**
(45) **Date of Patent:** **** Jan. 25, 2011**

(54) **SOLAR SHIELD**

(75) Inventor: **Richard DeFelice**, Califon, NJ (US)

(73) Assignee: **Andrew LLC**, Hickory, NC (US)

(**) Term: **14 Years**

(21) Appl. No.: **29/362,008**

(22) Filed: **May 19, 2010**

(51) **LOC (9) Cl.** **13-02**

(52) **U.S. Cl.** **D13/102**

(58) **Field of Classification Search** D13/102,
D13/101, 118, 182, 184, 199; D6/329, 332,
D6/491, 492; D7/405; D15/28; D25/53,
D25/54, 56, 61; 52/3, 74, 78, 90.1, 91.1;
135/91, 93, 120.1, 120.3; 136/243, 246,
136/257; 165/135; 361/800, 816

See application file for complete search history.

(56) **References Cited**

U.S. PATENT DOCUMENTS

D244,537 S *	5/1977	Riley	D13/102
D245,173 S *	7/1977	Van Leeuwen	D13/102
4,112,957 A *	9/1978	Biven	135/87
D256,840 S *	9/1980	Katz	D13/102
4,498,262 A *	2/1985	Garcia	52/3
D331,350 S *	12/1992	Hing	D7/405
D355,424 S *	2/1995	Williams et al.	D15/28
D391,632 S *	3/1998	Thomas	D23/393

D510,315 S *	10/2005	Shugar et al.	D13/102
D516,017 S *	2/2006	Mascolo	D13/102
D517,006 S *	3/2006	Bessmertny	D13/102
D555,083 S *	11/2007	Sharma et al.	D13/102
D560,605 S *	1/2008	McClintock et al.	D13/102

* cited by examiner

Primary Examiner—Prabhakar Deshmukh

Assistant Examiner—Derrick Holland

(74) *Attorney, Agent, or Firm*—Mendelsohn, Drucker & Associates, P.C.; Craig M. Brown; Steve Mendelsohn

(57) **CLAIM**

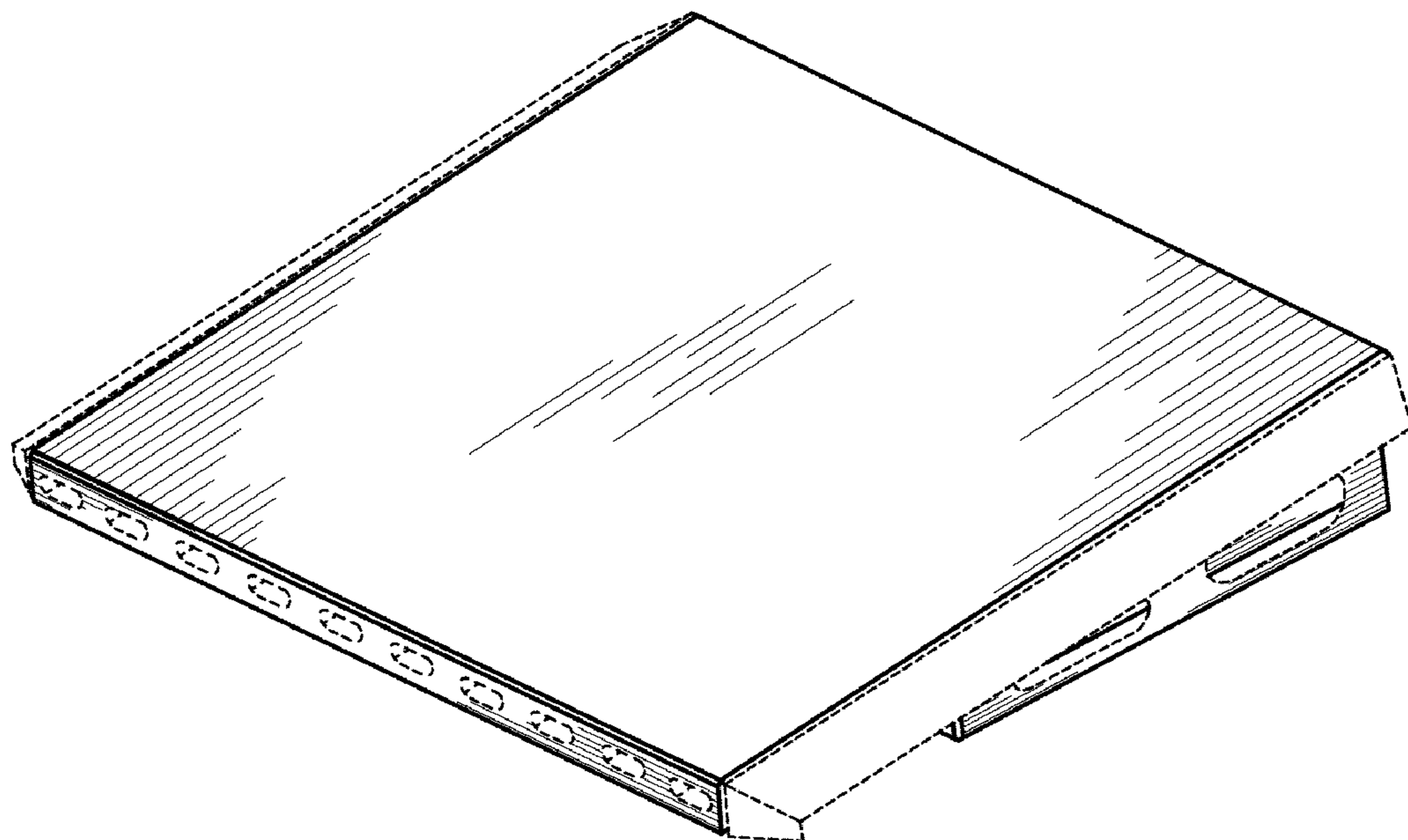
The ornamental design for a solar shield, as shown and described.

DESCRIPTION

FIG. 1 is a top isometric view of the solar shield;
 FIG. 2 is a bottom isometric view of the solar shield;
 FIG. 3 is a top view of the solar shield;
 FIG. 4 is a bottom view of the solar shield;
 FIG. 5 is a front view of the solar shield;
 FIG. 6 is a back view of the solar shield;
 FIG. 7 is a right side view of the solar shield; and,
 FIG. 8 is a left side view of the solar shield.

In FIGS. 1-8, the details shown in broken lines are for illustrative purposes only and form no part of the claimed design.

1 Claim, 3 Drawing Sheets



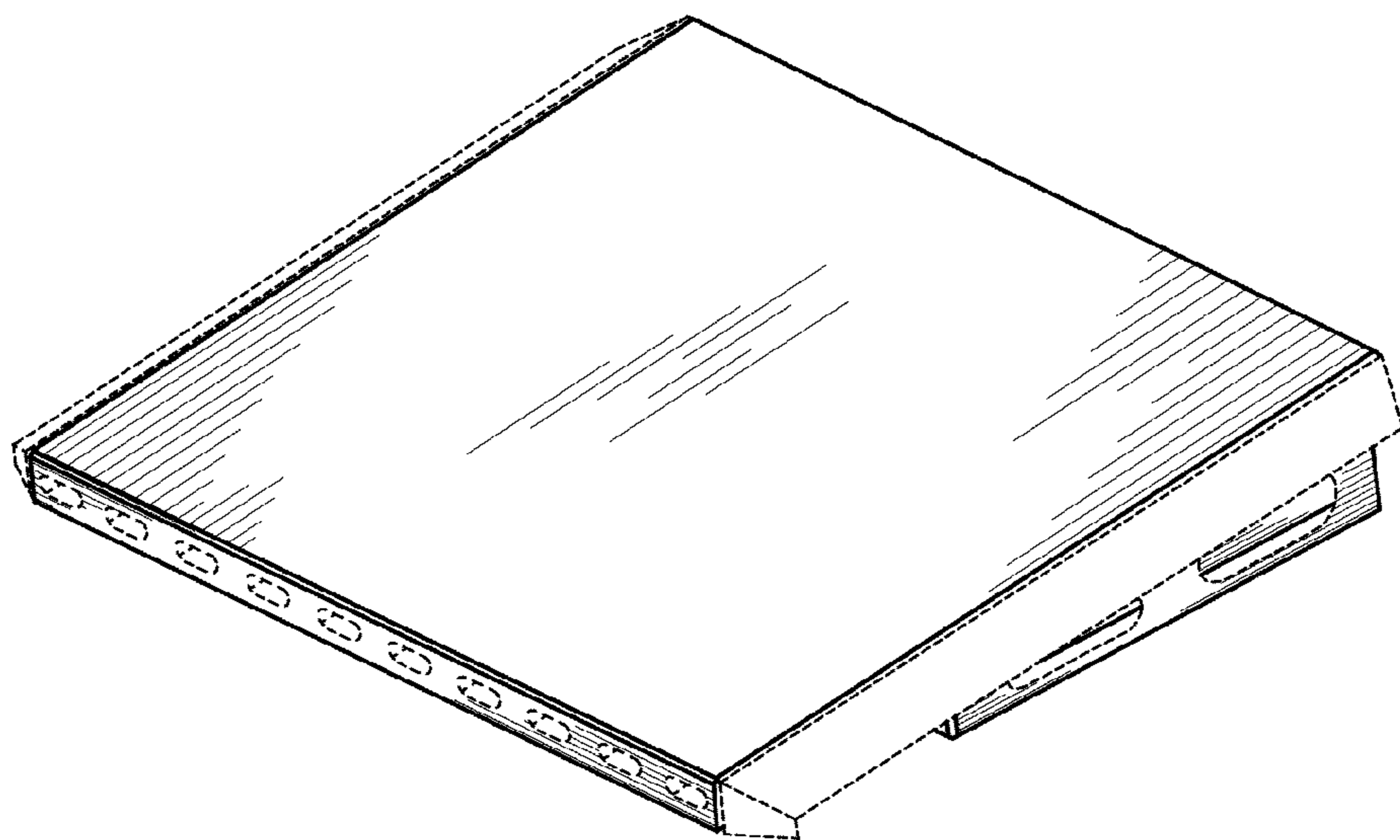


FIG. 1

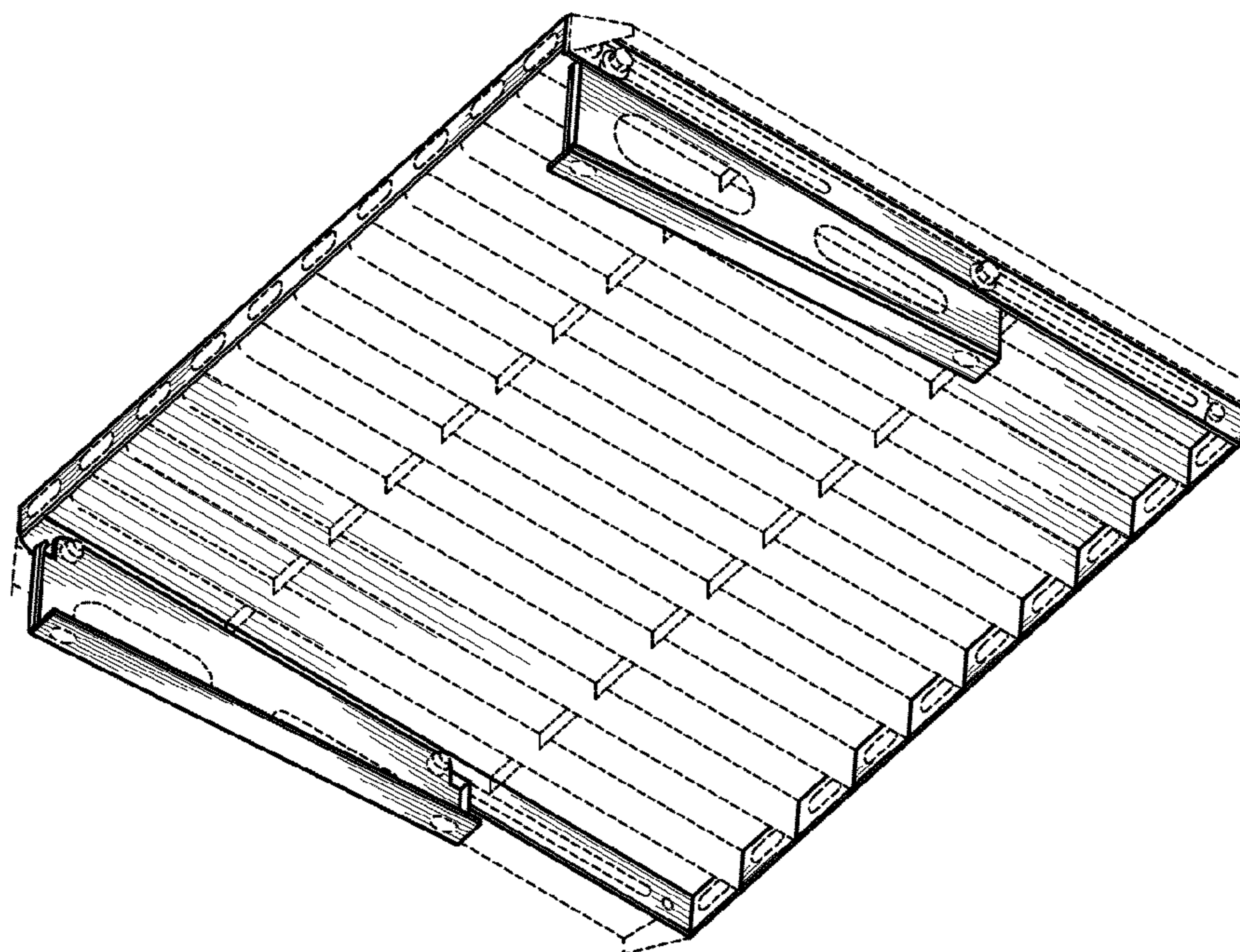


FIG. 2

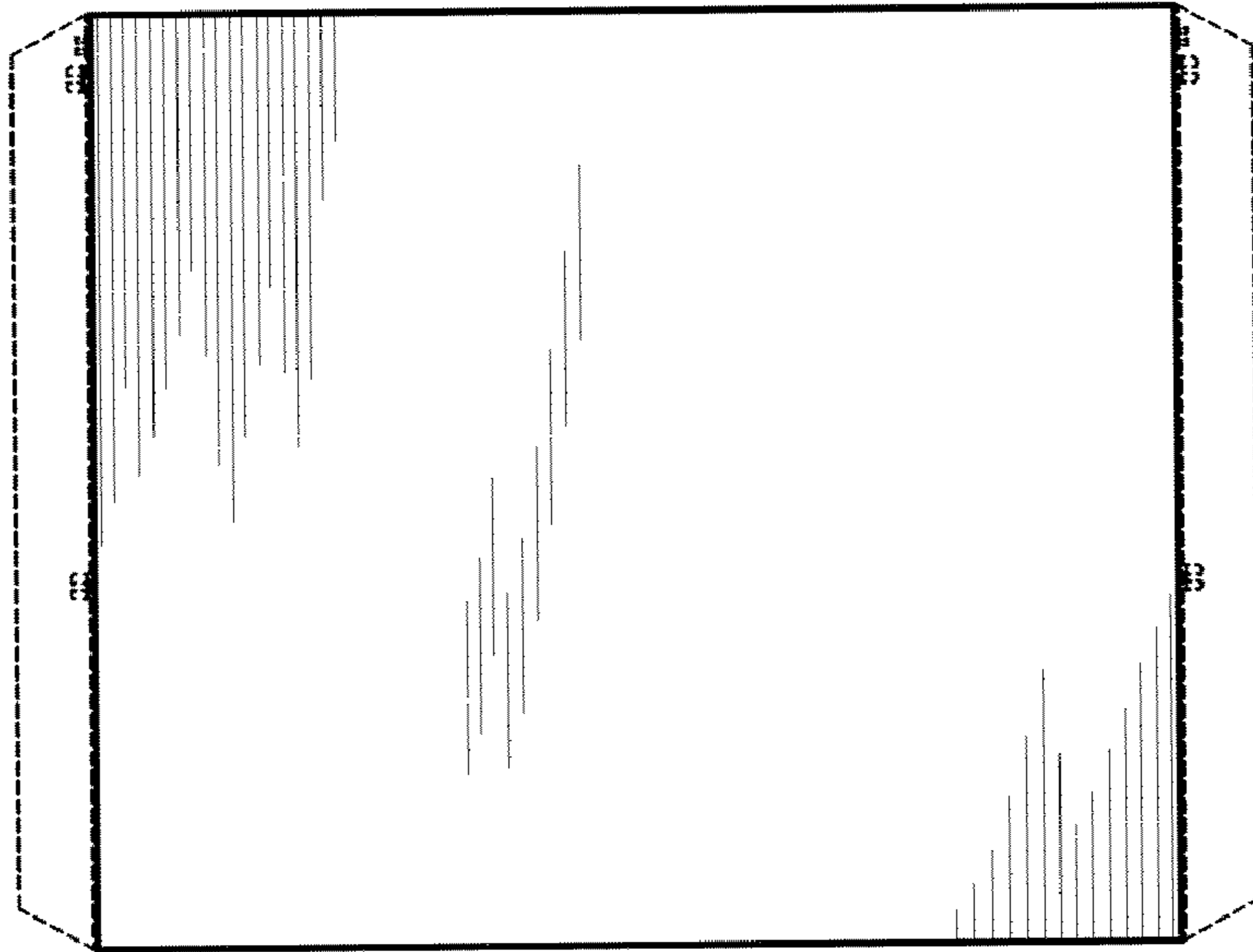


FIG. 3

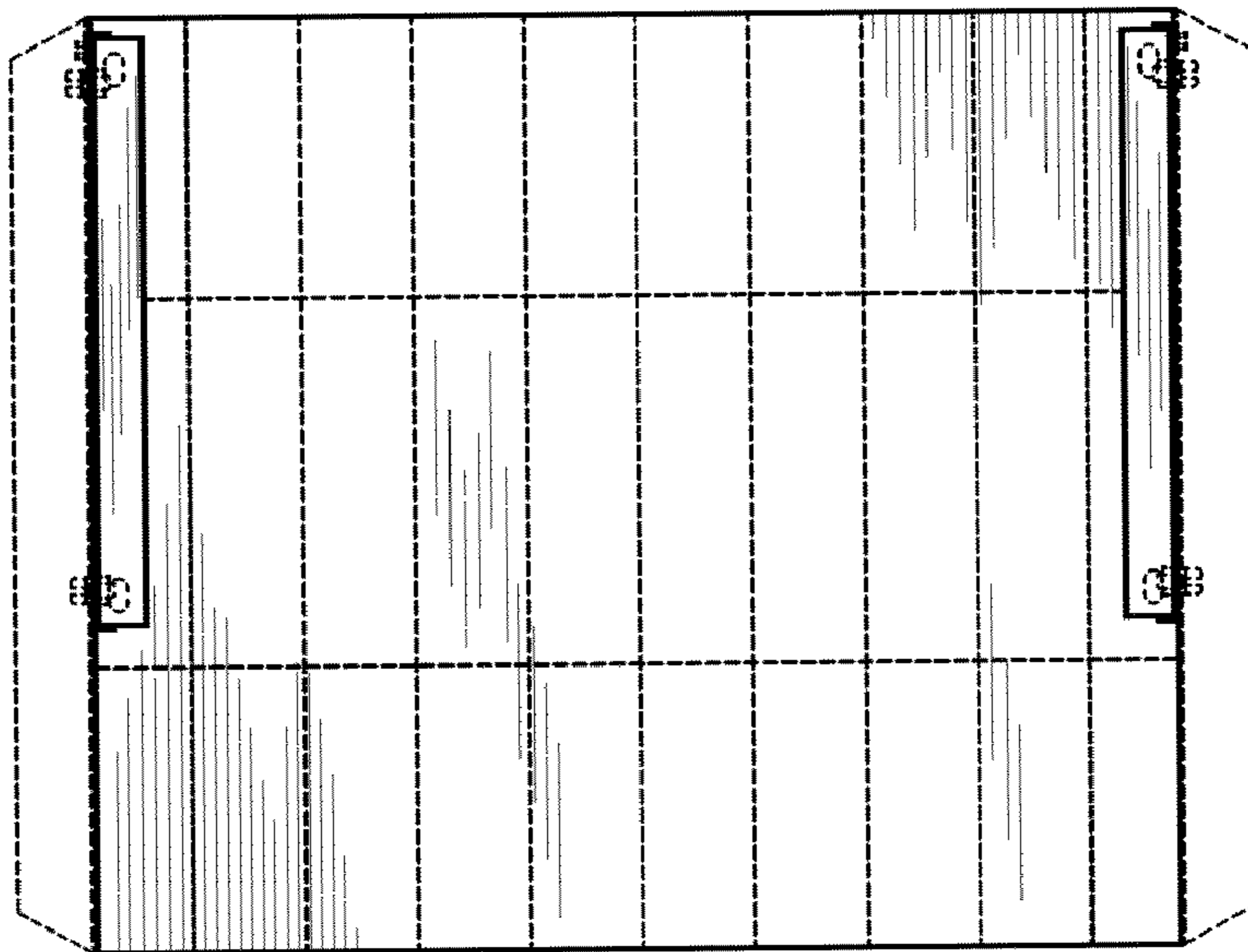


FIG. 4

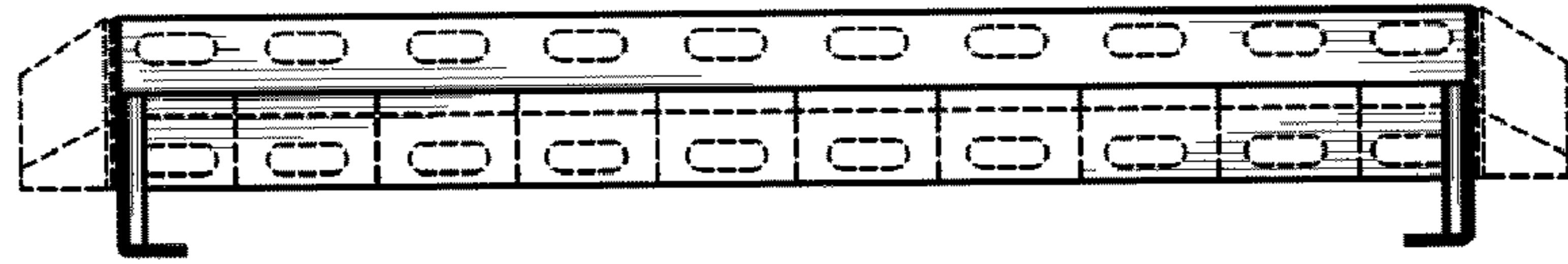


FIG. 5

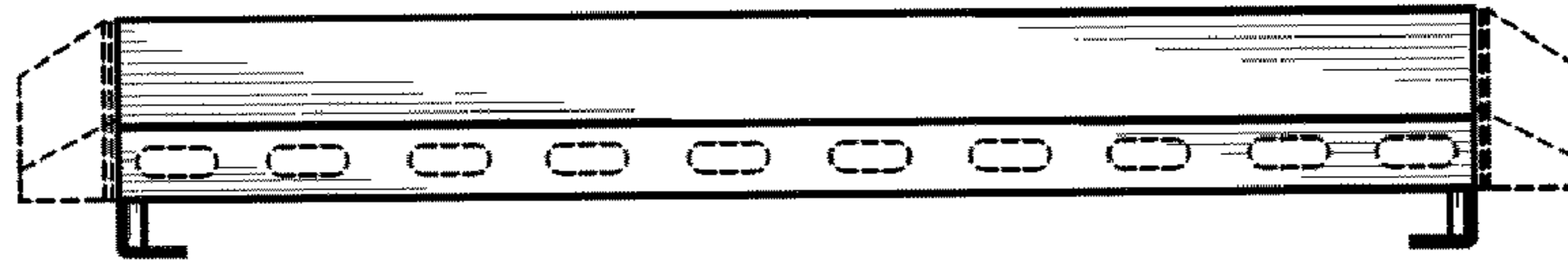


FIG. 6

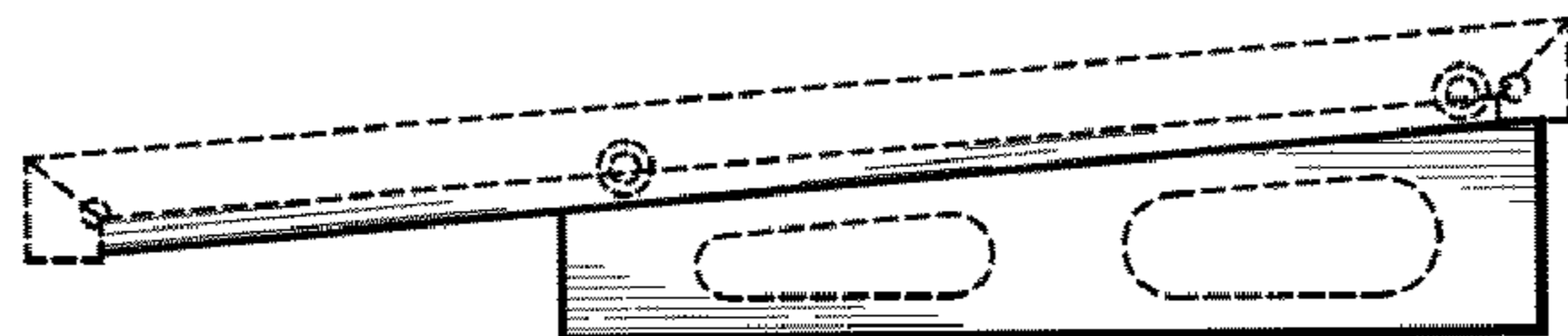


FIG. 7

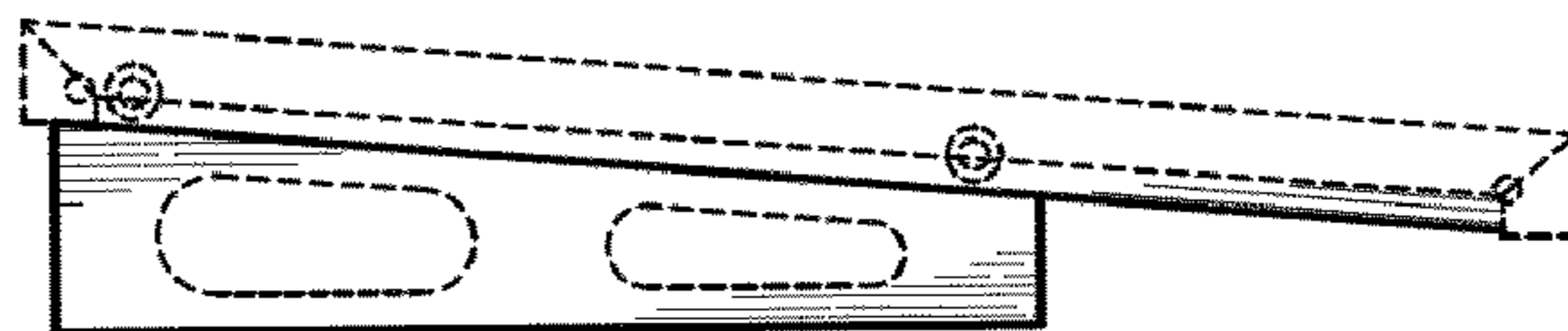


FIG. 8