



US00D631418S

(12) **United States Design Patent**  
**Stimel, Jr.**

(10) **Patent No.:** **US D631,418 S**  
(45) **Date of Patent:** **\*\* Jan. 25, 2011**

(54) **DOOR PANEL**

(75) Inventor: **William E. Stimel, Jr.**, Columbus, OH  
(US)

(73) Assignee: **Commercial Vehicle Group**, New  
Albany, OH (US)

(\*\*) Term: **14 Years**

(21) Appl. No.: **29/357,831**

(22) Filed: **Mar. 18, 2010**

(51) **LOC (9) Cl.** ..... **12-08**

(52) **U.S. Cl.** ..... **D12/195**

(58) **Field of Classification Search** ..... D12/195,  
D12/193, 414, 190, 196, 419; 180/190; 280/750-752;  
296/190.01-191, 70, 193.08, 145, 153, 37.1-37.13;  
D15/17, 28; D10/46, 98, 102-103; 49/501-502;  
D8/302-303

See application file for complete search history.

(56) **References Cited**

**U.S. PATENT DOCUMENTS**

- D375,487 S \* 11/1996 Tashiro ..... D14/425
- D435,779 S \* 1/2001 Marzolf et al. .... D8/321
- D447,024 S \* 8/2001 Thomas ..... D7/701
- D472,871 S \* 4/2003 Ramos et al. .... D12/419
- D478,860 S \* 8/2003 Young ..... D12/419

- D493,765 S \* 8/2004 Hanazawa ..... D12/419
- D501,118 S \* 1/2005 Schrock ..... D7/619.1
- D513,491 S \* 1/2006 Yamazaki et al. .... D12/419
- D526,953 S \* 8/2006 Hall et al. .... D12/419

\* cited by examiner

*Primary Examiner*—Caron Veynar

*Assistant Examiner*—Katrina A Kile

(74) *Attorney, Agent, or Firm*—Kegler Brown Hill & Ritter;  
James J. Pingor

(57) **CLAIM**

I claim the ornamental design for a door panel, as shown and described.

**DESCRIPTION**

FIG. 1 is an isometric view of a door panel showing my new design;

FIG. 2 is an enlarged elevated perspective view of FIG. 1;

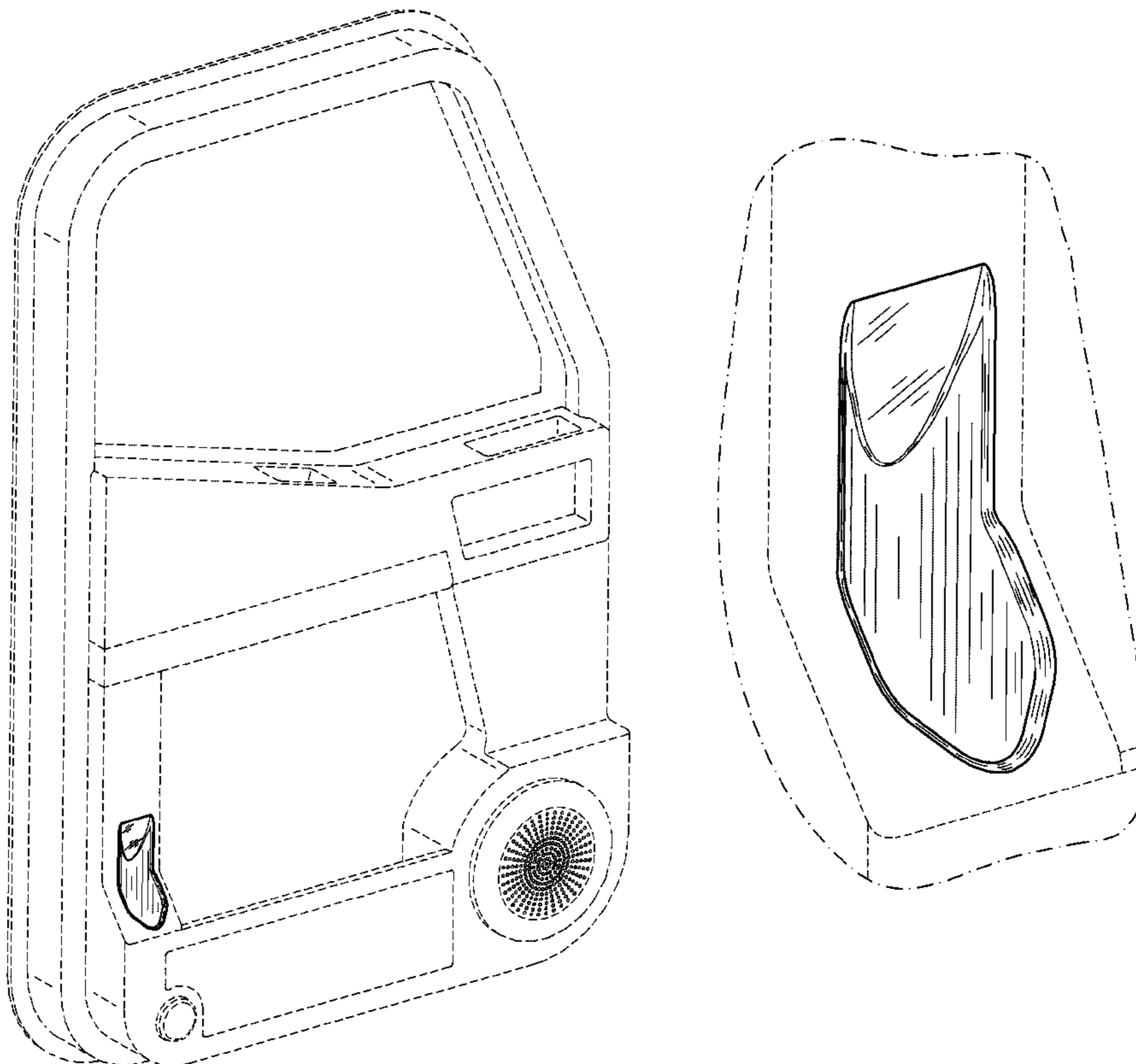
FIG. 3 is another enlarged elevated perspective view of FIG. 1;

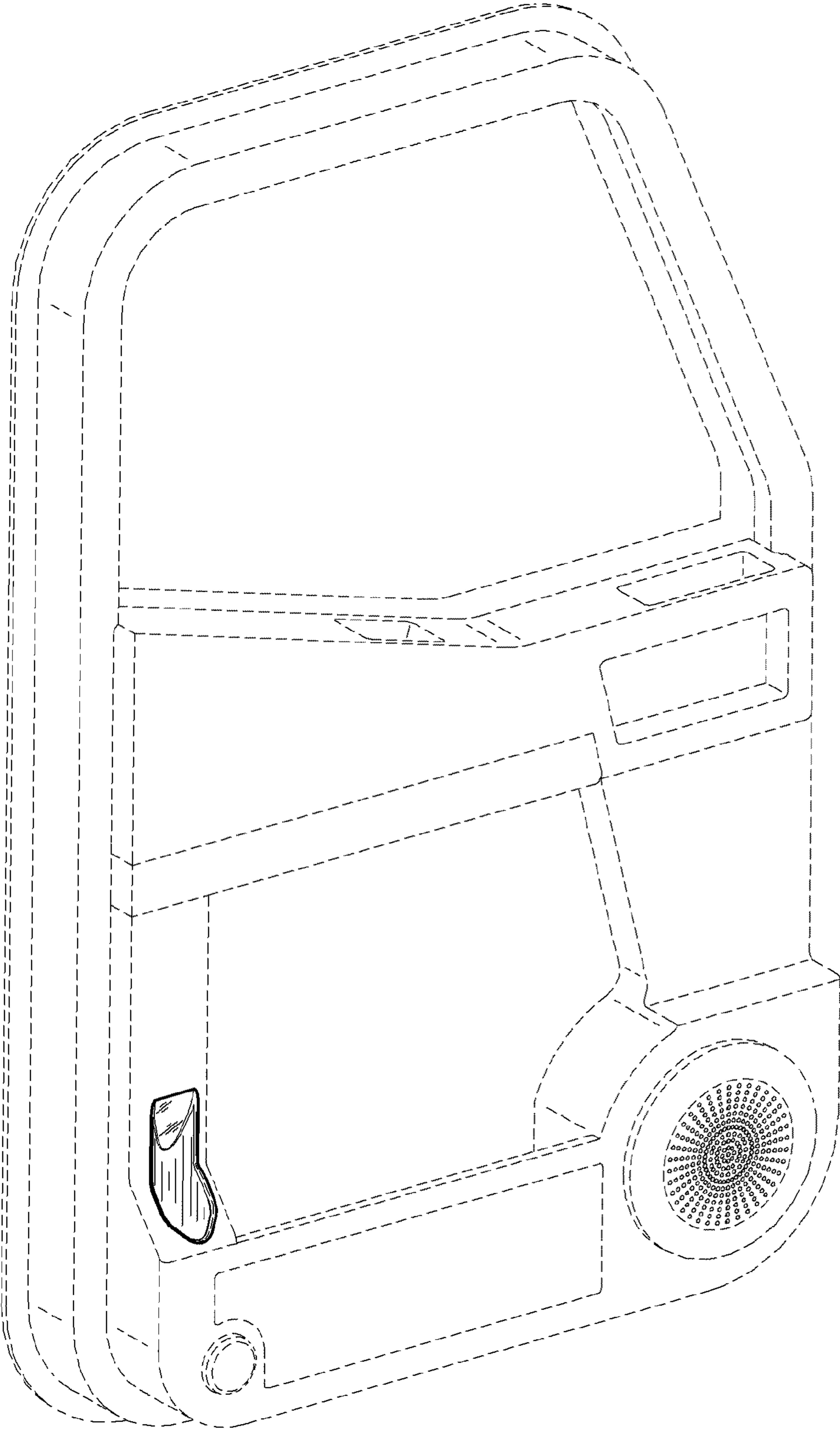
FIG. 4 is an enlarged front side elevation view thereof; and,

FIG. 5 is an enlarged top plan view thereof.

The broken lines in the drawings show portions of a door in FIGS. 1-5, and a flashlight in FIG. 3 and form no part of the claimed design.

**1 Claim, 4 Drawing Sheets**





*Fig. 1*

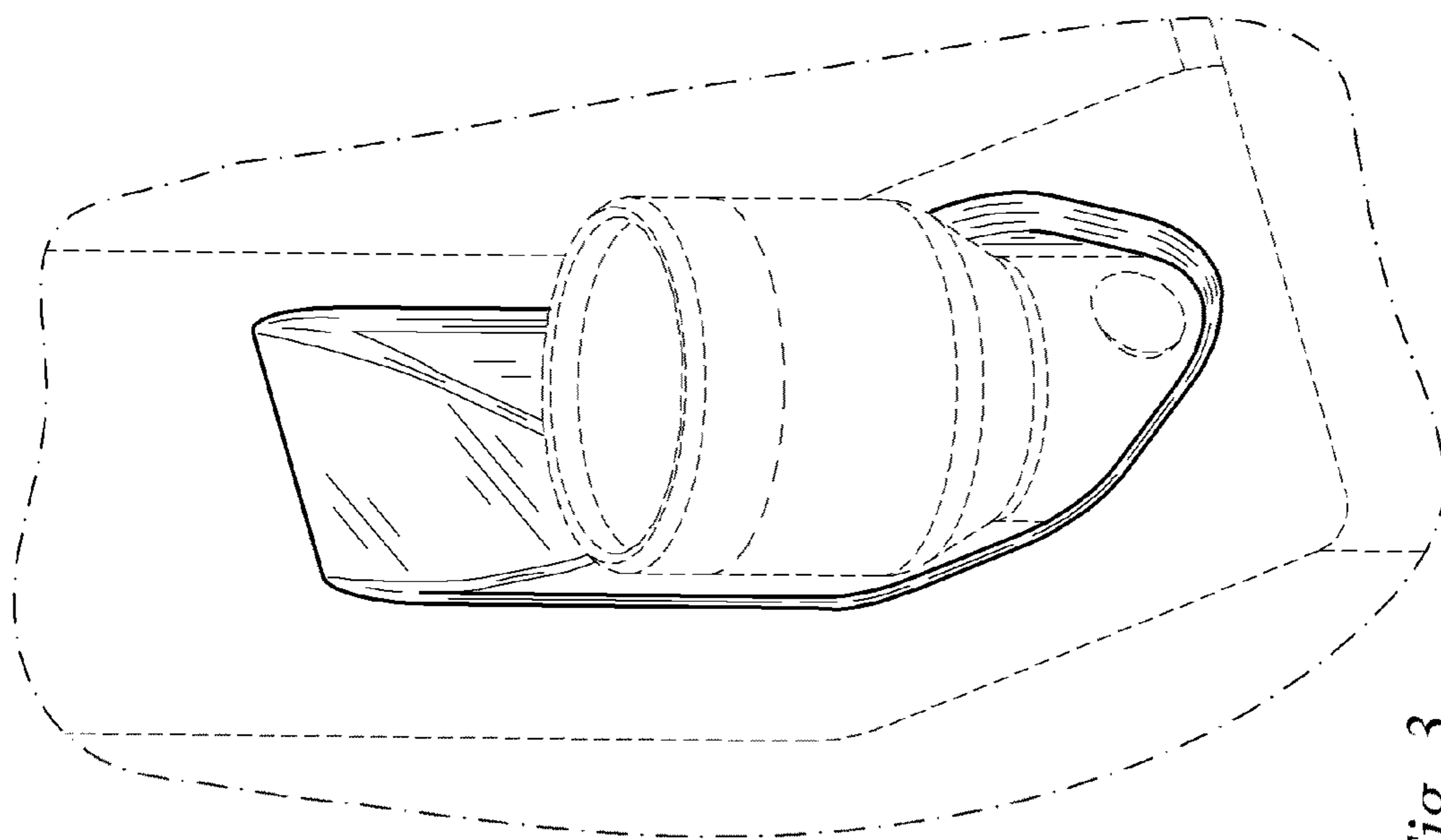


Fig. 3

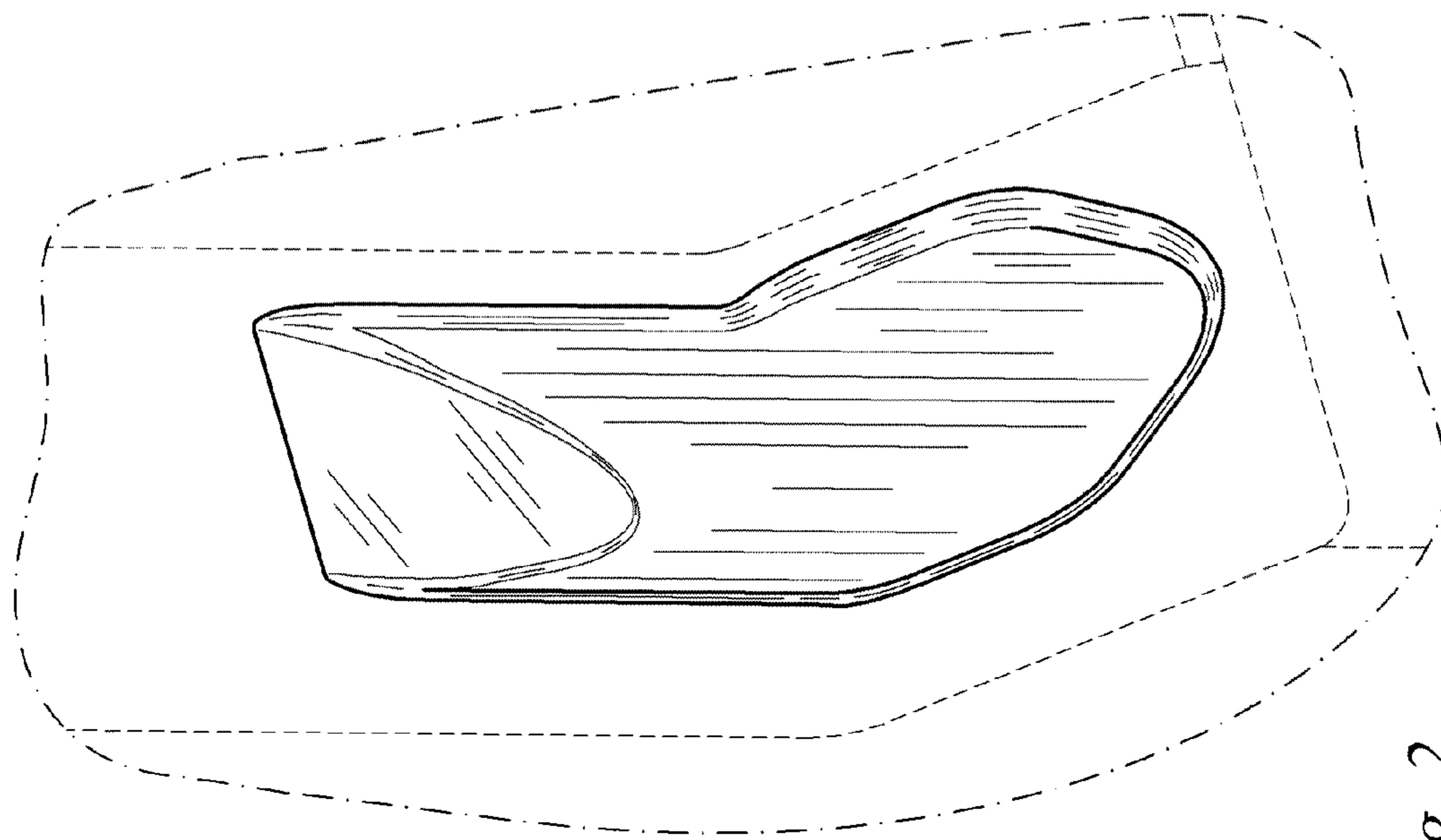
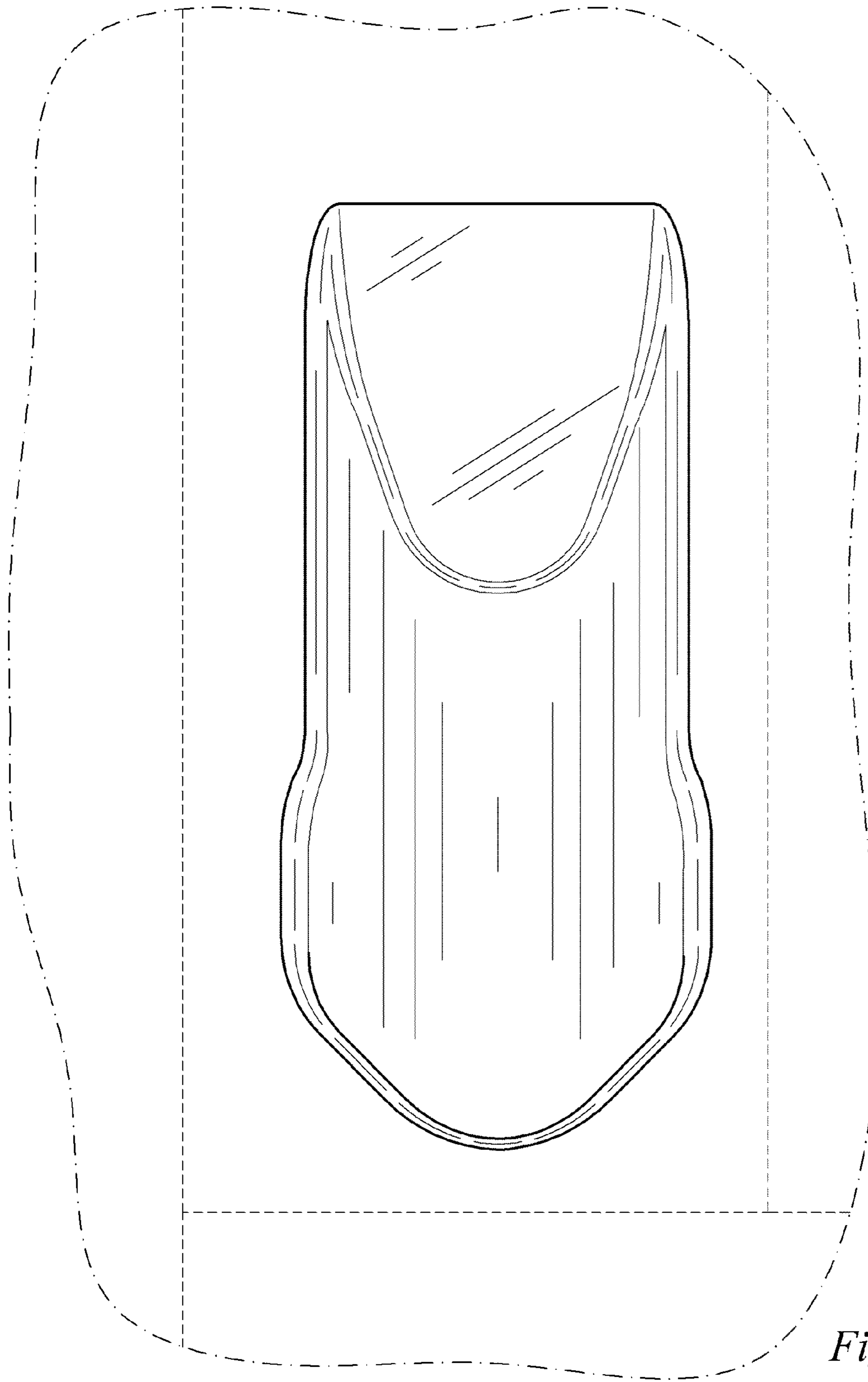
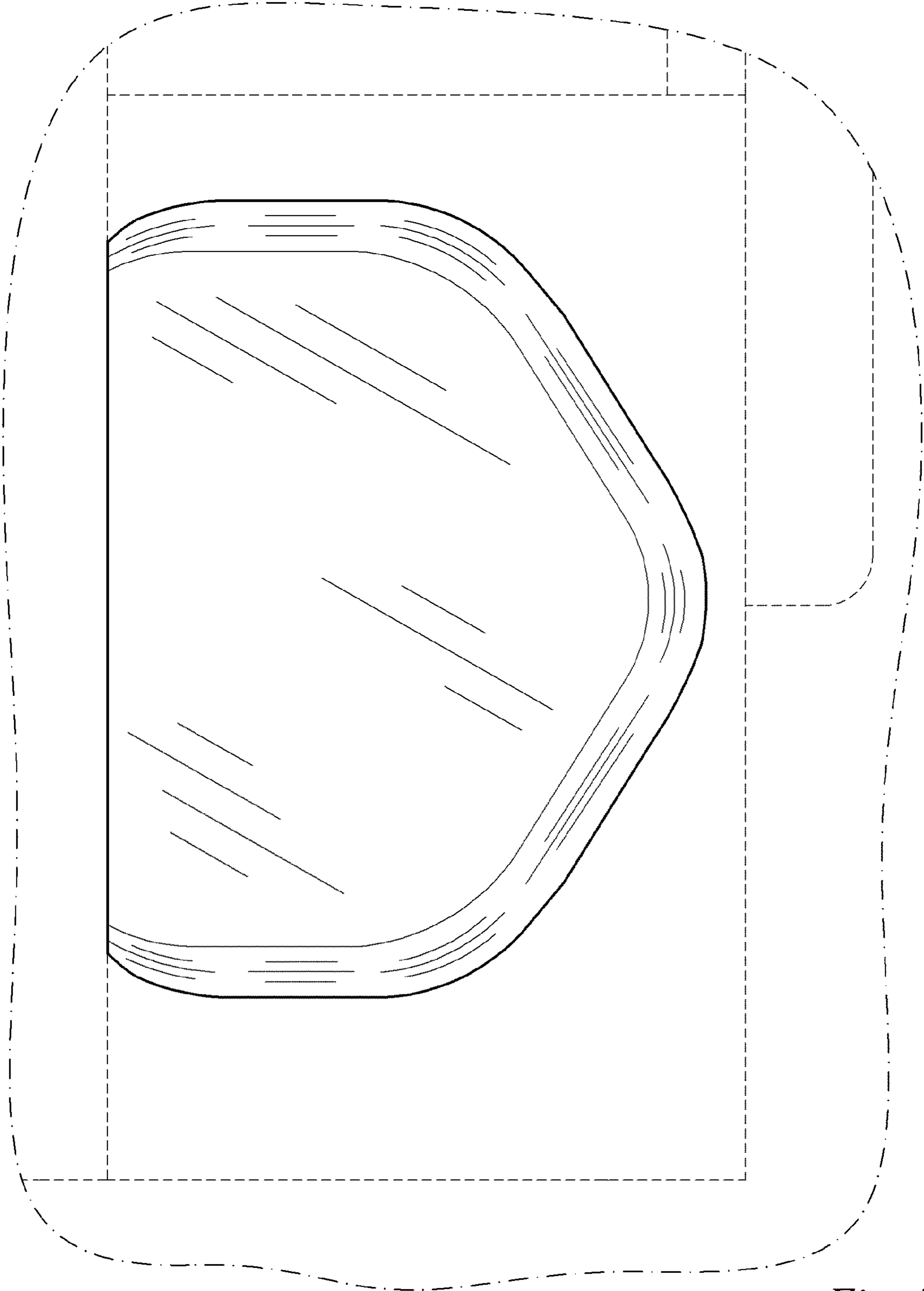


Fig. 2



*Fig. 4*



*Fig. 5*