



US00D631415S

(12) **United States Design Patent**
Spencer et al.

(10) **Patent No.:** **US D631,415 S**
(45) **Date of Patent:** **** Jan. 25, 2011**

(54) **LICENSE PLATE FRAME**

(74) *Attorney, Agent, or Firm*—Linda Flewellen Gould

(76) Inventors: **Todd Spencer**, 19475 Beacon Lite Rd., Monument, CO (US) 80132; **Eldon Goates**, 1630 Vasquez Cir., Colorado Springs, CO (US) 80915; **Steve Varner**, 5311 Reese Rd., Torrance, CA (US) 90505

(57) **CLAIM**

The ornamental design for a license plate frame, as shown and described.

(**) **Term:** **14 Years**

DESCRIPTION

(21) **Appl. No.:** **29/372,167**

FIG. 1 is a front perspective view of a license plate frame, showing our new design;

(22) **Filed:** **Oct. 26, 2010**

FIG. 2 is a back perspective view thereof;

(51) **LOC (9) Cl.** **12-16**

(52) **U.S. Cl.** **D12/193**

(58) **Field of Classification Search** D12/193;
D6/300-30, 310-314; 40/200-204, 207-214;
362/497, 473, 327, 604; D20/13

FIG. 3 is a top plan view thereof;

FIG. 4 is a right side view thereof;

FIG. 5 is a front view thereof;

FIG. 6 is a bottom plan view thereof;

See application file for complete search history.

FIG. 7 is a front perspective view of a second embodiment of a license plate frame, with the ornament attached in a lower position than shown in FIG. 1;

FIG. 8 is a back perspective view of FIG. 7;

(56) **References Cited**

U.S. PATENT DOCUMENTS

D348,038 S *	6/1994	Hu	D12/193
D349,480 S *	8/1994	Leu	D12/193
D399,466 S *	10/1998	Thomas	D12/193
D441,335 S *	5/2001	Hussaini et al.	D12/193
D466,457 S *	12/2002	Wang	D12/193
D474,724 S *	5/2003	Wang	D12/193
D478,030 S *	8/2003	Arens	D12/193
D546,256 S *	7/2007	Fischer, III	D12/193
D595,199 S *	6/2009	Hu	D12/193

FIG. 9 is a top plan view of FIG. 7;

FIG. 10 is a right side view of FIG. 7;

FIG. 11 is a front view of FIG. 7;

FIG. 12 is a bottom plan view of FIG. 7;

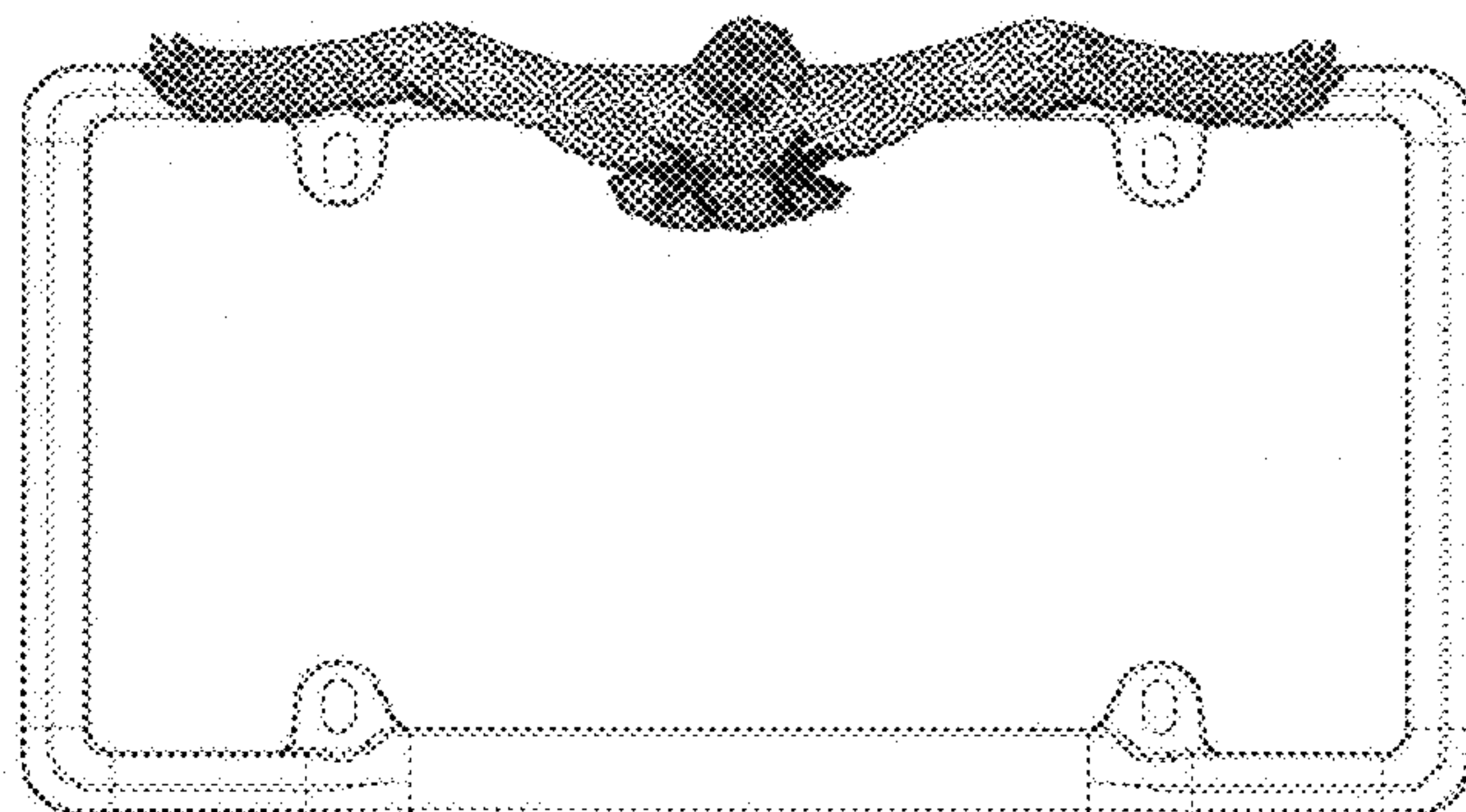
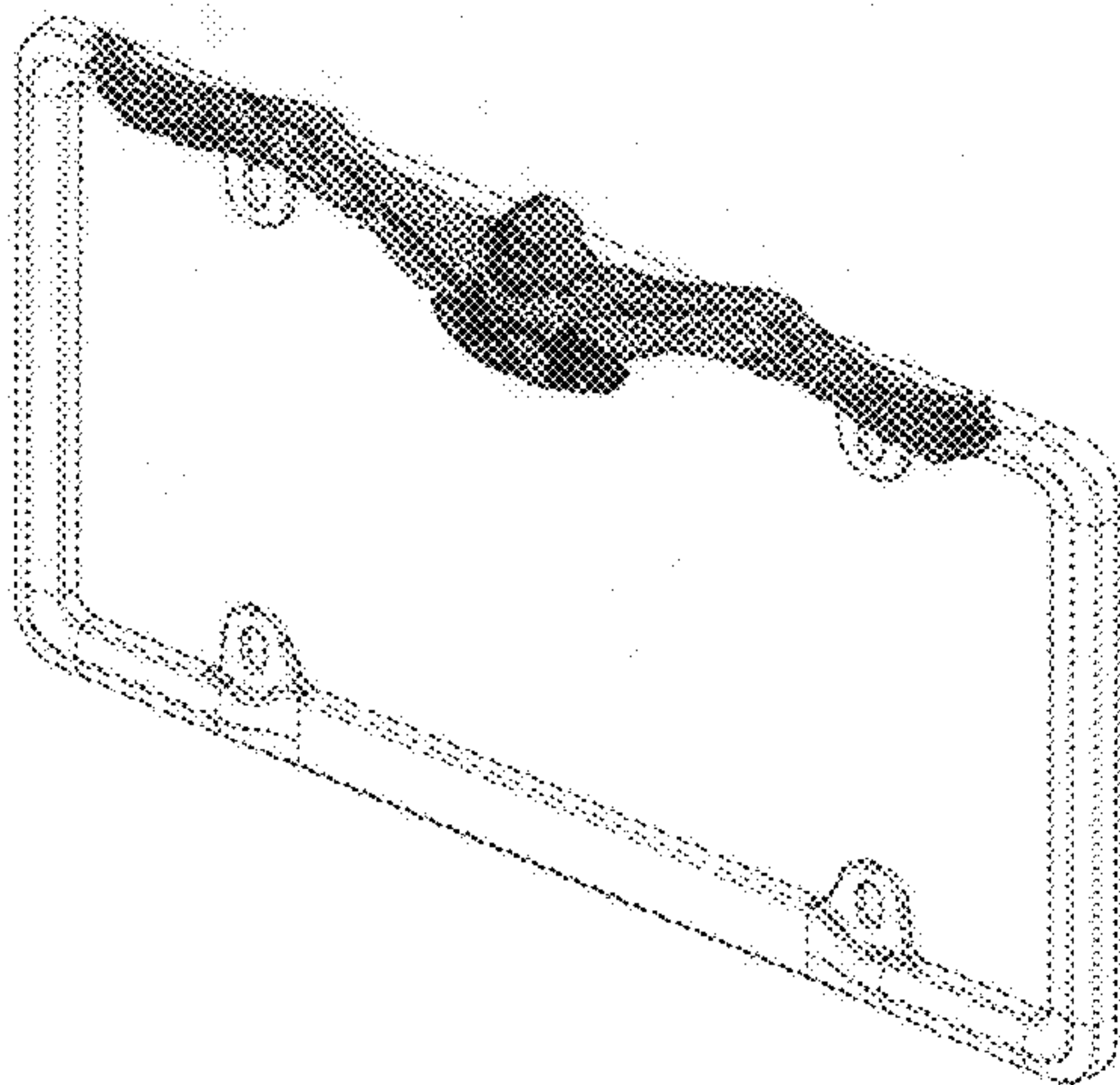
* cited by examiner

Primary Examiner—Stacia Cadmus

FIG. 13 is a front view of a third embodiment of a license plate frame with the ornament located at the bottom of the frame attached in a slightly lower position than shown in FIGS. 7-12; and,

FIG. 14 is a fourth embodiment of a license plate frame with the ornament located at the top of the frame attached in a slightly lower position than shown in FIGS. 1-6.

1 Claim, 5 Drawing Sheets



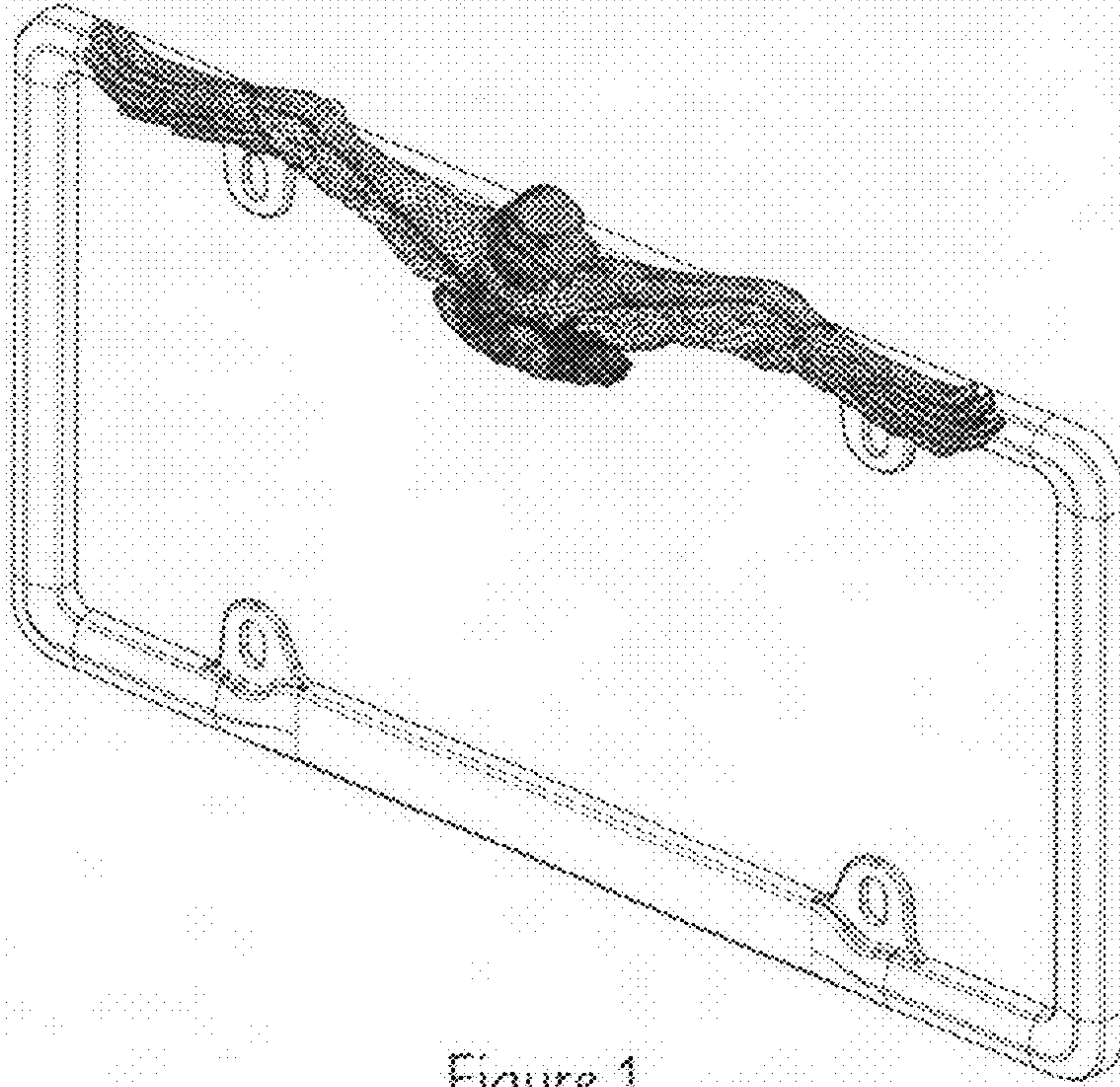


Figure 1

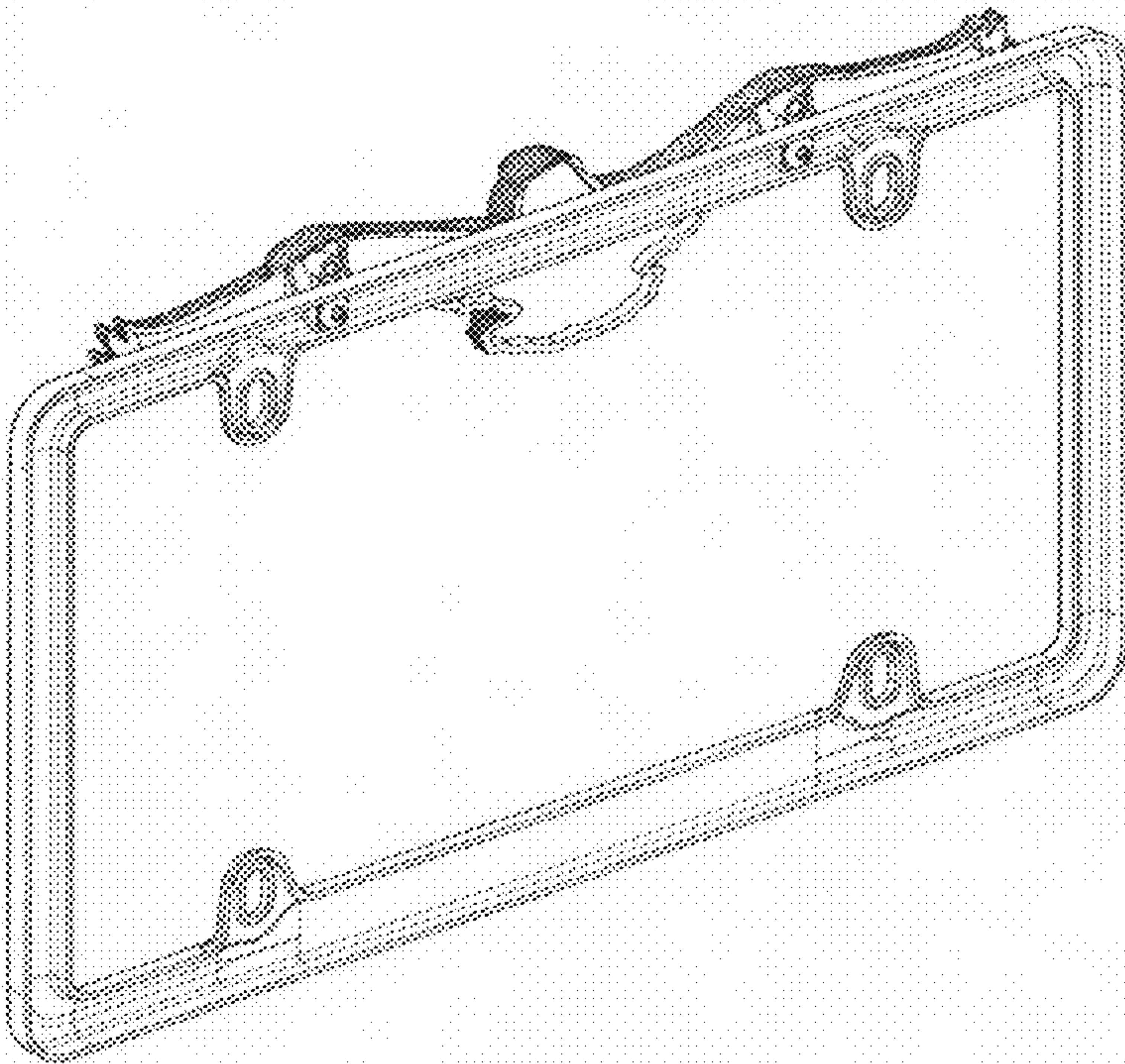


Figure 2

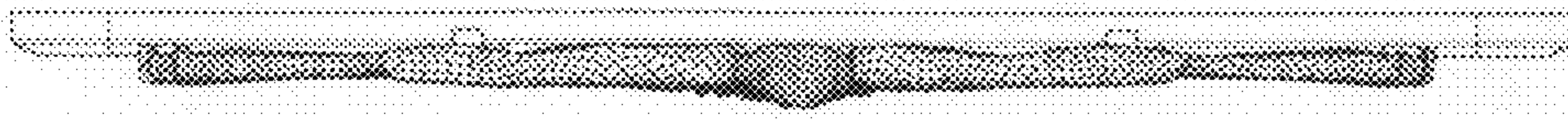


Figure 3

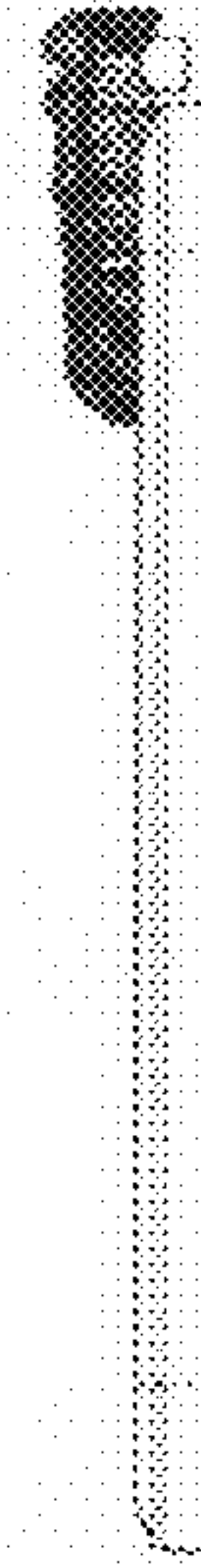


Figure 4

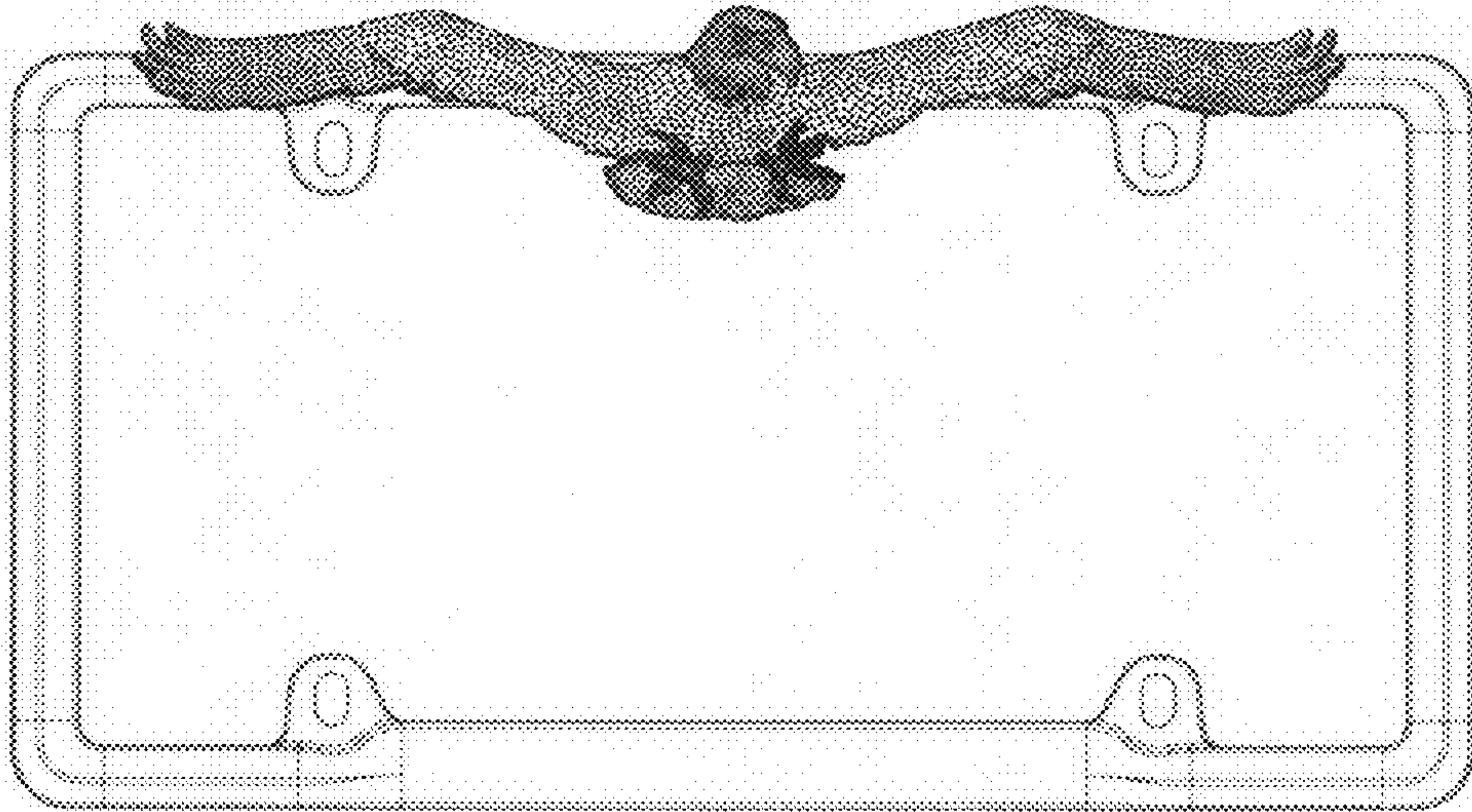


Figure 5

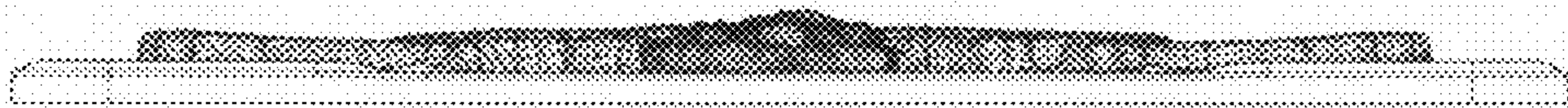


Figure 6

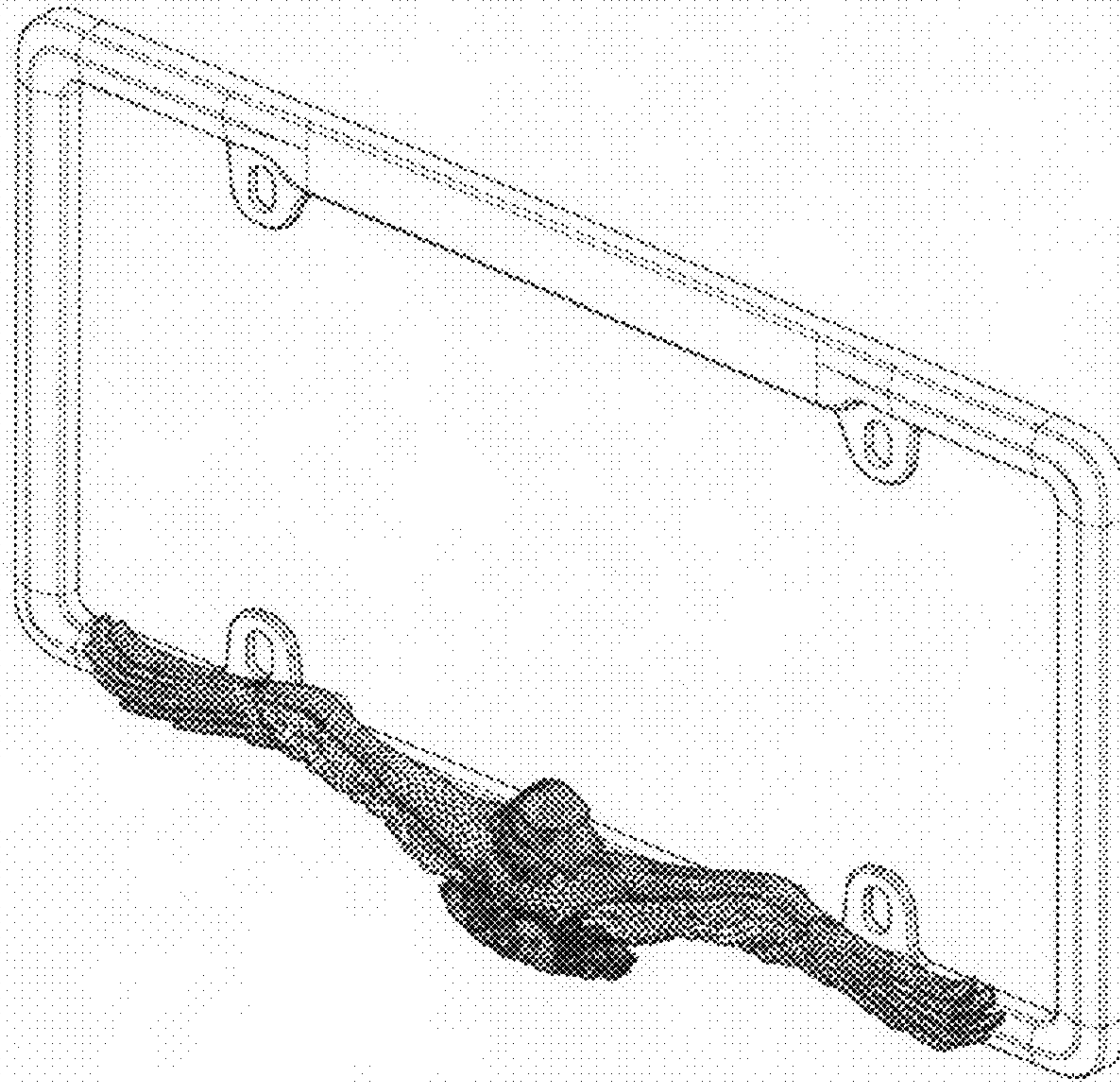


Figure 7

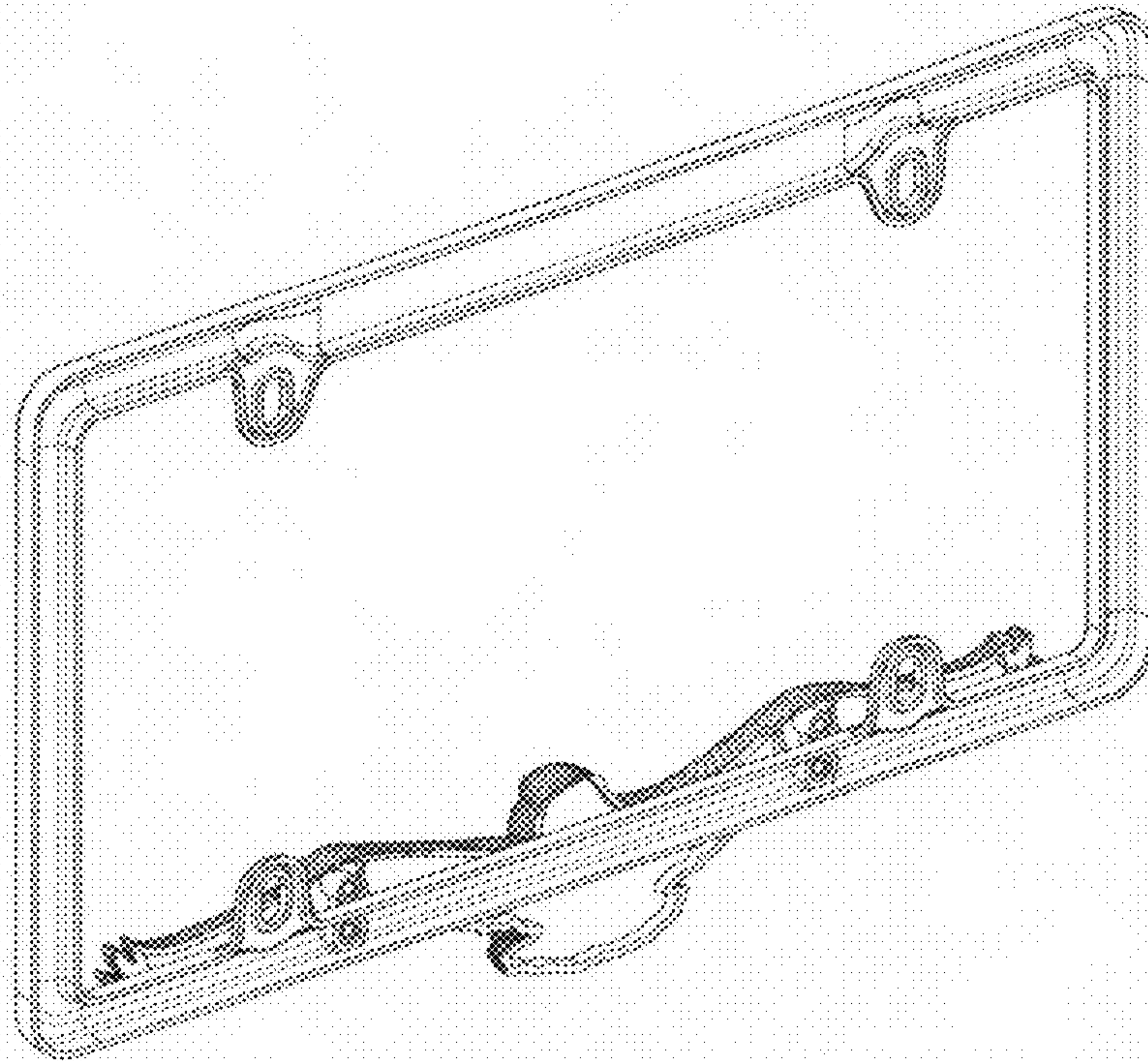


Figure 8

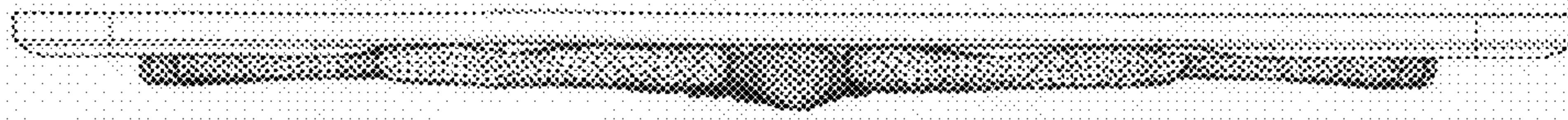


Figure 9

Figure 10

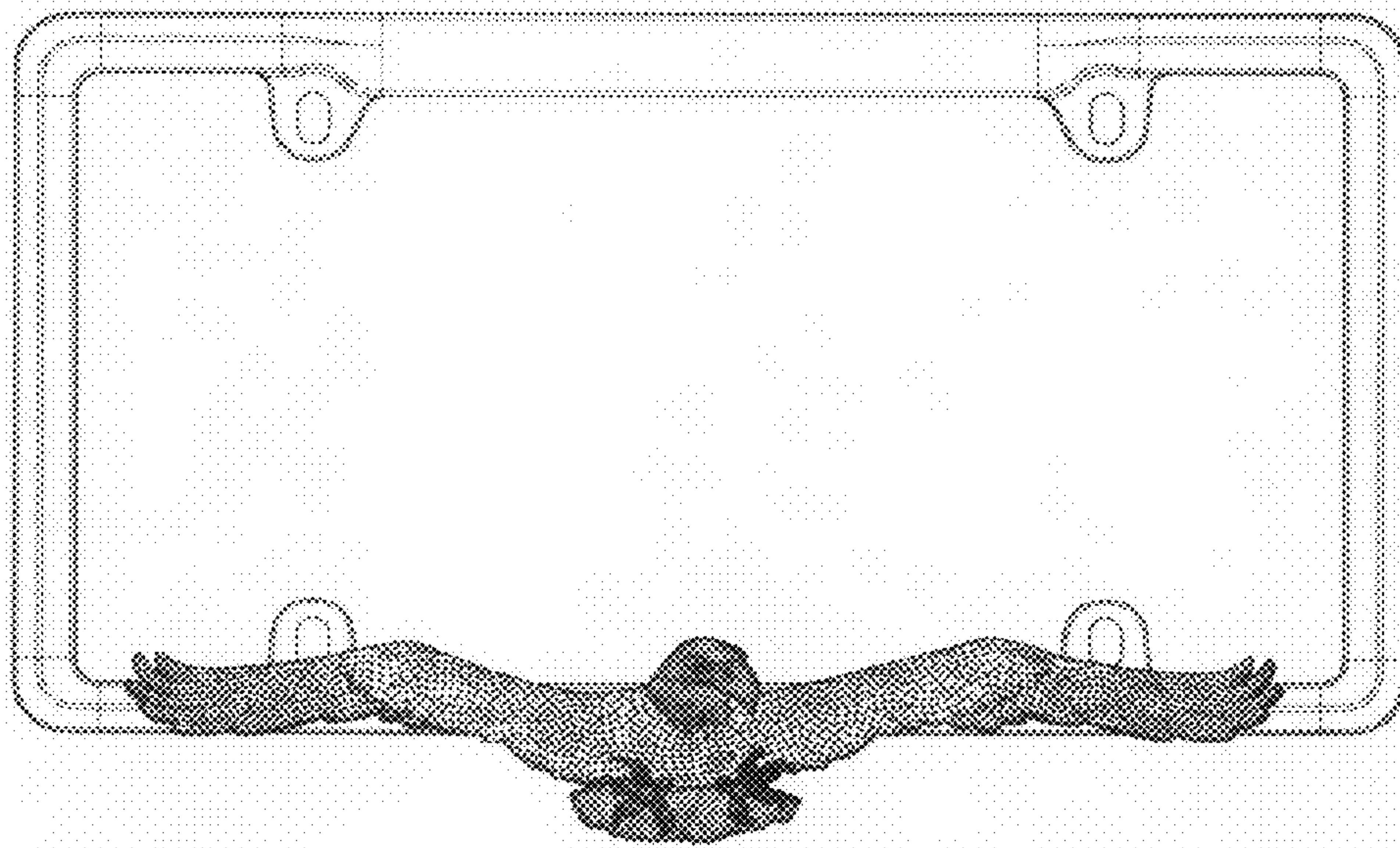


Figure 11

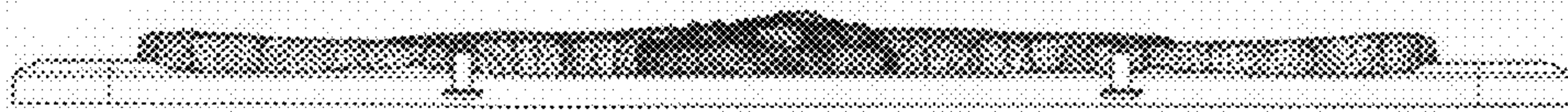


Figure 12

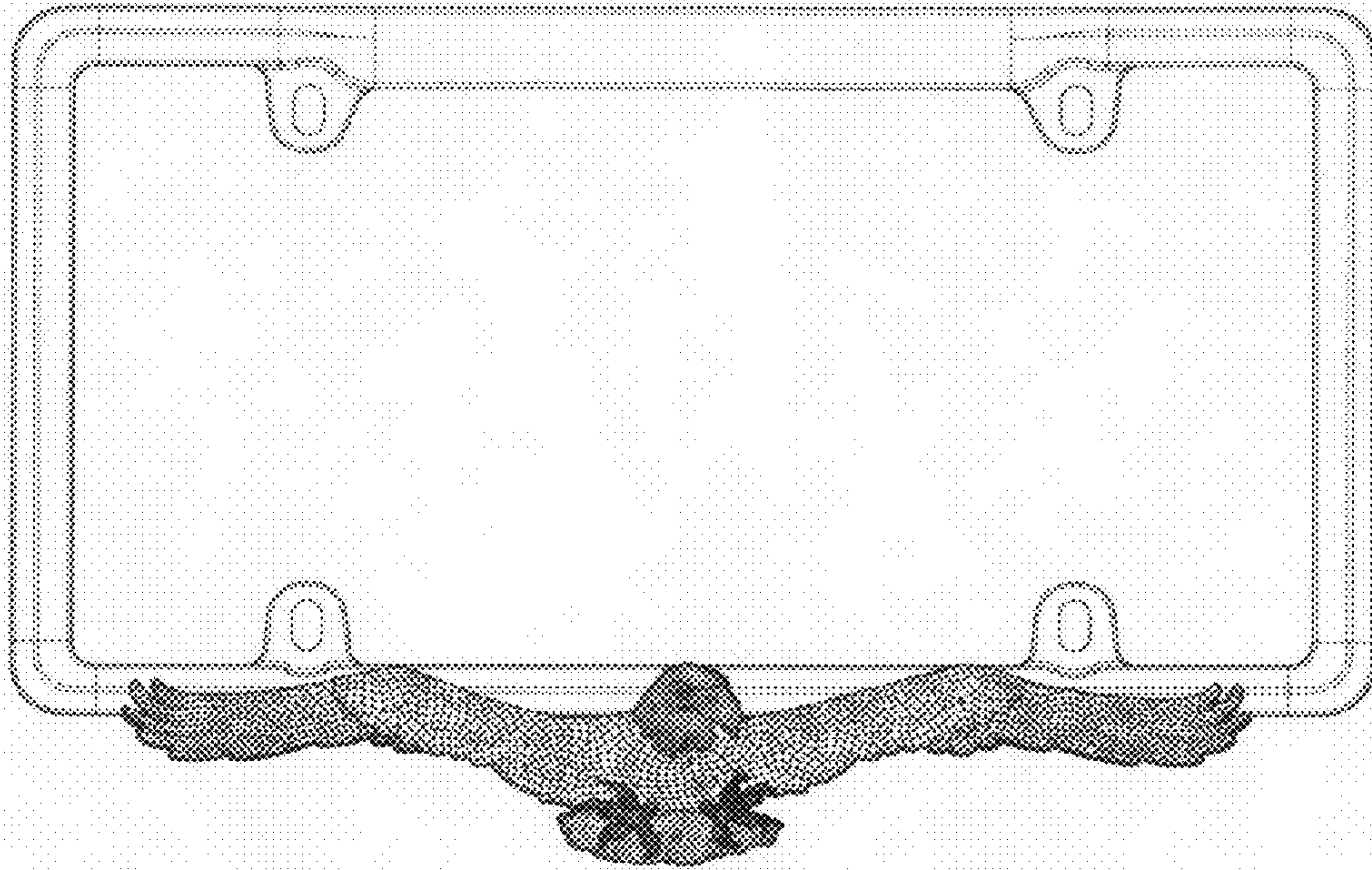


Figure 13

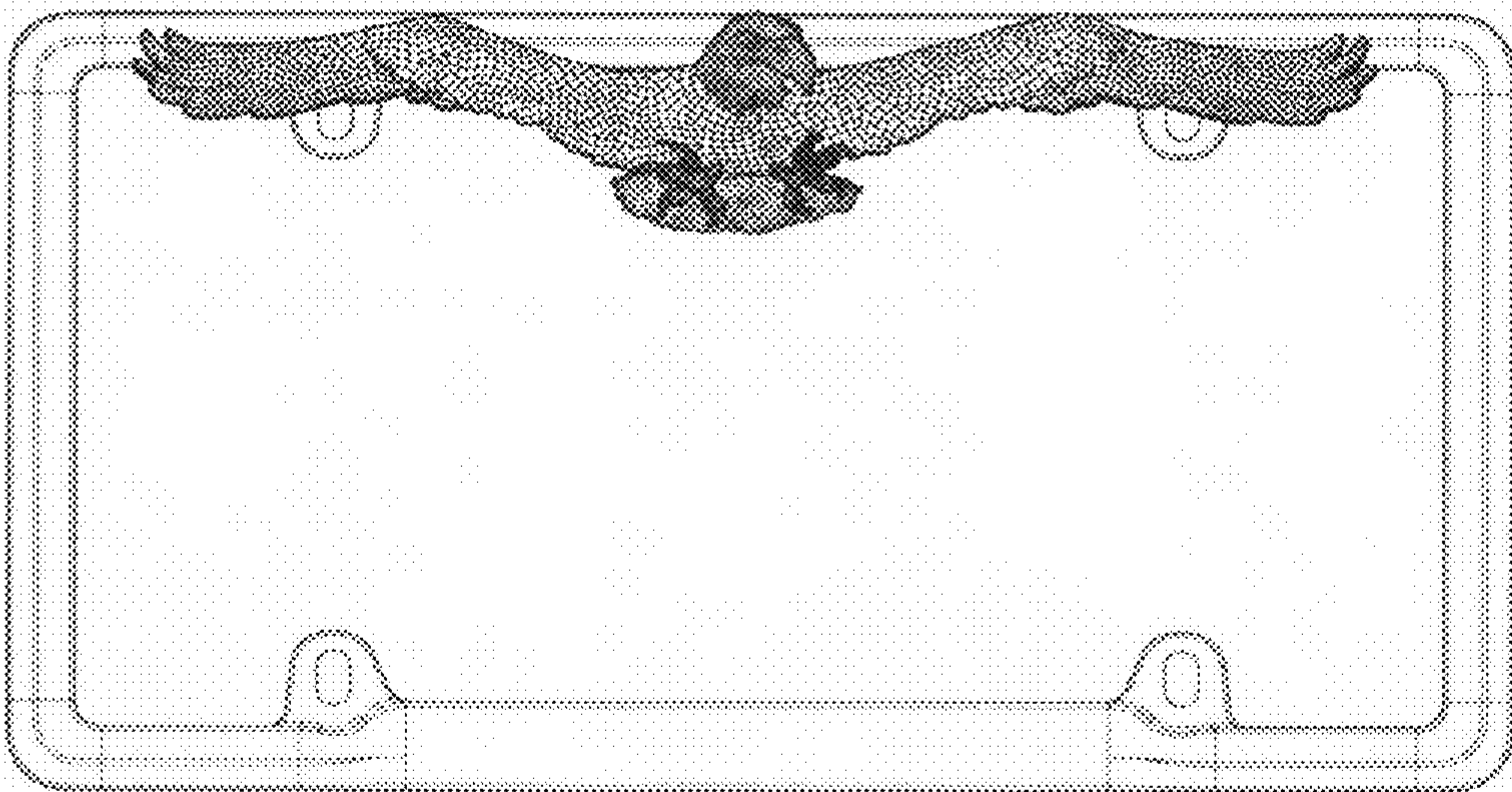


Figure 14